



OUTPUT VALUES

Standby Power	Voltage	230/400
Standby Power	kVA	275
Standby Power	kW	220
Standby Power	Amper	396
Prime Power	Voltage	230/400
Prime Power	kVA	250

Prime Power	kW	200
Prime Power	Amper	360

DIESEL ENGINE

Brand	Shanghai
Model	SC8H217e
Max. Total Output Pow. (kWm/hp)	220/275
Cylinder Displacement (lt)	8,8
Cylinder Orientation	6 Single Line
Bore x Stroke(mm*mm)	113*130
Compression Ratio	16;01
Governor Type	Electronic
Rotation	1500 RPM
Aspiration System	Turbo Charge
Injection	Direct
Cooling System	Water Cooled
Electrical System(V DC)	24
Oil Capacity (lt)	18
Engine Coolant Capacity (lt)	29
Fuel Cons. %50 (lt/h)	28
Fuel Cons. %75 (lt/h)	41
Fuel Cons. %100 (lt/h)	53

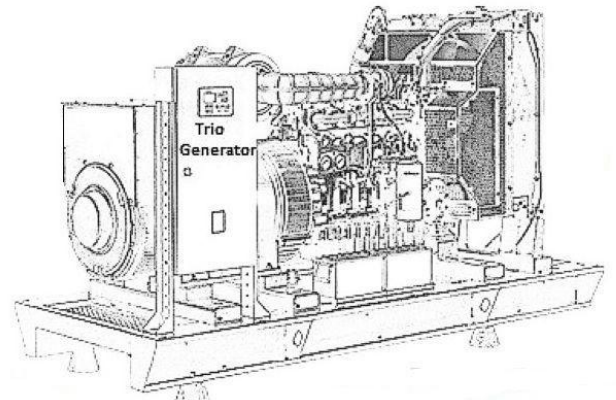
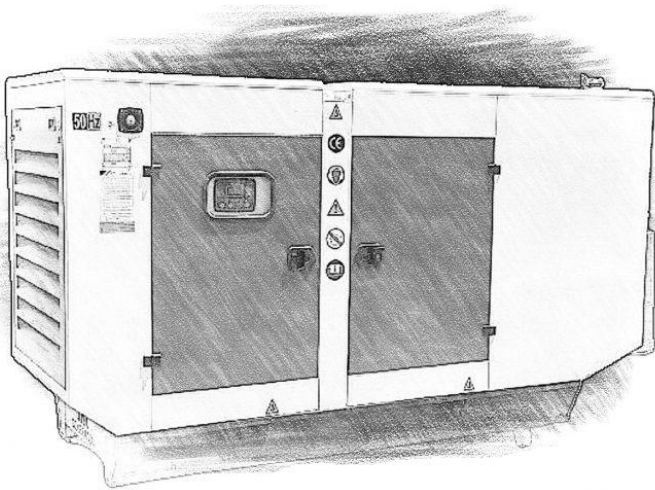
ALTERNATOR

Standby Power (kVa/kw)	275/220
Prime Power (kVa/kw)	250/200
Brand	TRIO
Output Voltage (V)	231/400
Frequency (Hz)	50
Stationary Vol. Regulation(±)	0,01
Short Circuit Current	%300 (10 sec)
Insulation	H
Protection	IP23
Efficiency (%)	92
Overloading	110% for 1 hour
Power Factor (cos Q=0.8)	0,8
Tot. Harmonic Dist. Rate	<1 %
Connection Type	Star
Number of Pole	4
Number of Bearing	Single

DIMENSIONS & WEIGHT

Without Canopy	Width	1100 mm
Without Canopy	Length	2500 mm
Without Canopy	High	1650 mm
Without Canopy	Weight	1795 kg

Without Canopy	Fuel Tank Capacity	280 lt
With Canopy	Width	1100 mm
With Canopy	Length	3100 mm
With Canopy	High	2300 mm
With Canopy	Weight	2050 kg
With Canopy	Fuel Tank Capacity	280 lt



**MADE IN
TURKEY**



OUTPUT VALUES

Standby Power	Voltage	230/400
Standby Power	kVA	150
Standby Power	kW	120
Standby Power	Amper	217
Prime Power	Voltage	230/400
Prime Power	kVA	135

Prime Power	kW	108
Prime Power	Amper	195

DIESEL ENGINE

Max. Total Output Pow. (kWm/hp)	133,5 / 179
Cylinder Displacement (lt)	7,01
Cylinder Orientation	6 Single Line
Bore x Stroke(mm*mm)	105*127
Compression Ratio	18:2;1
Governor Type	Mechanic
Rotation	1500 RPM
Aspiration System	Natural
Injection	Direct
Cooling System	Water Cooled
Electrical System(V DC)	12
Oil Capacity (lt)	16
Engine Coolant Capacity (lt)	21
Fuel Cons. %50 (lt/h)	15
Fuel Cons. %75 (lt/h)	22
Fuel Cons. %100 (lt/h)	30

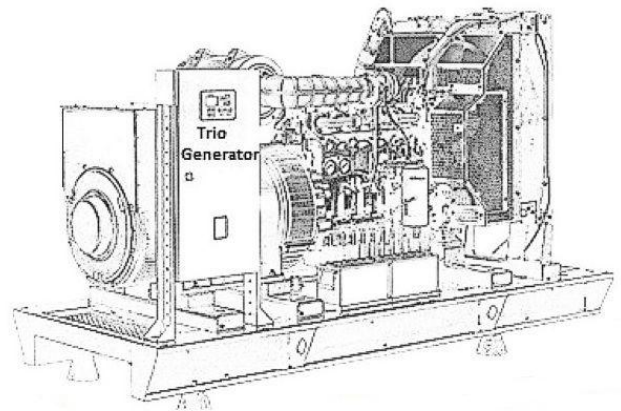
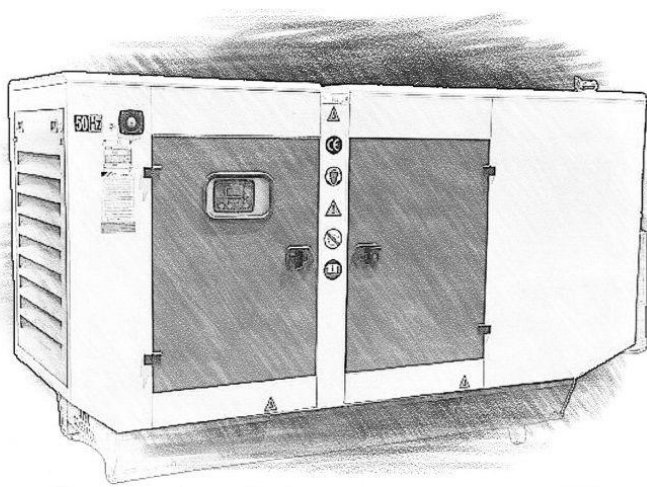
ALTERNATOR

Standby Power (kVa/kw)	150/120
Prime Power (kVa/kw)	135/108
Brand	LEROY SOMER
Output Voltage (V)	231/400
Frequency (Hz)	50
Stationary Vol. Regulation(±)	0,01
Short Circuit Current	%300 (10 sec)
Insulation	H
Protection	IP23
Efficiency (%)	92
Overloading	110% for 1 hour
Power Factor (cos Q=0.8)	0,8
Tot. Harmonic Dist. Rate	<1 %
Connection Type	Star
Number of Pole	4
Number of Bearing	Single

DIMENSIONS & WEIGHT

Without Canopy	Width	1100 mm
Without Canopy	Length	2500 mm
Without Canopy	High	1600 mm
Without Canopy	Weight	1400 kg

Without Canopy	Fuel Tank Capacity	280 lt
With Canopy	Width	1100 mm
With Canopy	Length	3100 mm
With Canopy	High	1850 mm
With Canopy	Weight	1800 kg
With Canopy	Fuel Tank Capacity	280 lt



**MADE IN
TURKEY**

LIGHT TOWER



ENGINE	Fuel, Cooling, Speed	DIESEL, WATER COOLED, 1500rpm
	Alternator Type	M40
ALTERNATOR	Standby Power	72
	Lamp Type	LED
LIGHTING TOWER	Lamp Power	4x200
	Lamp Quantity	4
	Mass Height	7.5m
	Mass Lifting System	Mechanic
DIMENSIONS	Width (A-A1)	1700/2800
	Length (B-B1)	2180/3000
	Height (C-C1)	2340/7500
	Weight (kg)	-
	Fuel Tank Capacity	115

STANDARD EQUIPMENT

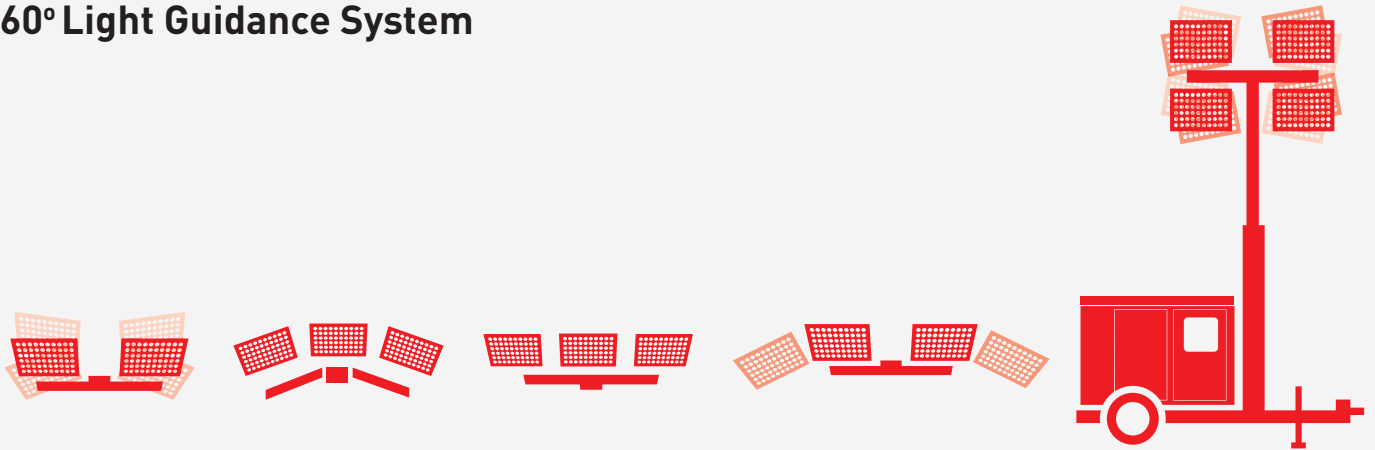
- ◆ 2500 hours salt spray tested galvanized sheet metal cabinet
- ◆ Resistance to wind speeds of 60-70 km
- ◆ 4 or 6x200 watt Led lamps
- ◆ 7.5 m Mechanical pole
- ◆ Mechanical stabilizer
- ◆ Single axle trailer
- ◆ Removable drawbar.
- ◆ Single-phase and three-phase energy sockets on the cabin
- ◆ Suitable for outdoor use.

SPECIFICATIONS

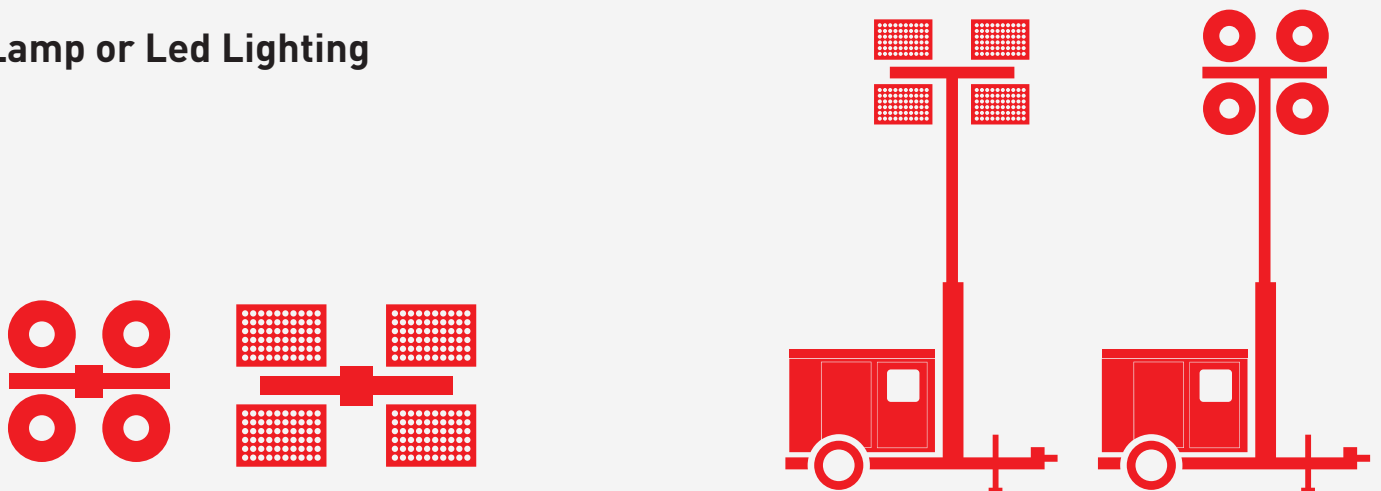
- ◆ Designed for long term working conditions.
- ◆ 1500 rpm, water cooled
- ◆ Led lamp is used as standard
- ◆ Optionally halide lamps are used.
- ◆ The structure of the tower poles is produced as galvanized.
- ◆ It is produced as 7.5m as standard.
- ◆ It provides ease of transportation thanks to its trailer structure.
- ◆ The product structure is designed to be loaded on top of each other and provides transportation advantage.
- ◆ It has low noise level
- ◆ Single-phase and three-phase energy is possible on the light

OPTIONAL EQUIPMENT

360° Light Guidance System

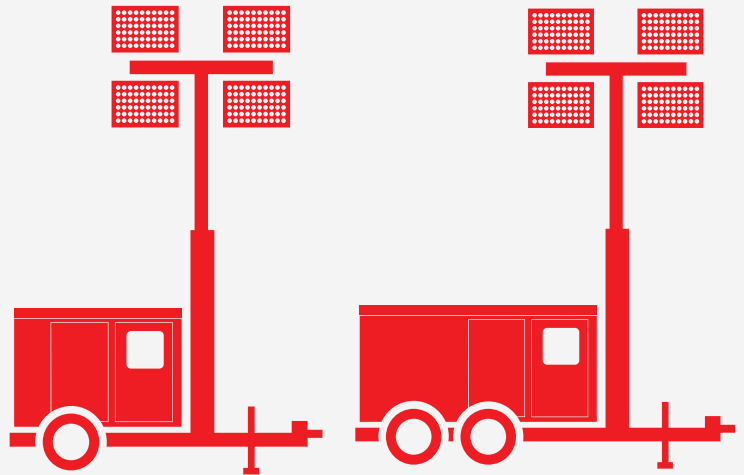


Lamp or Led Lighting

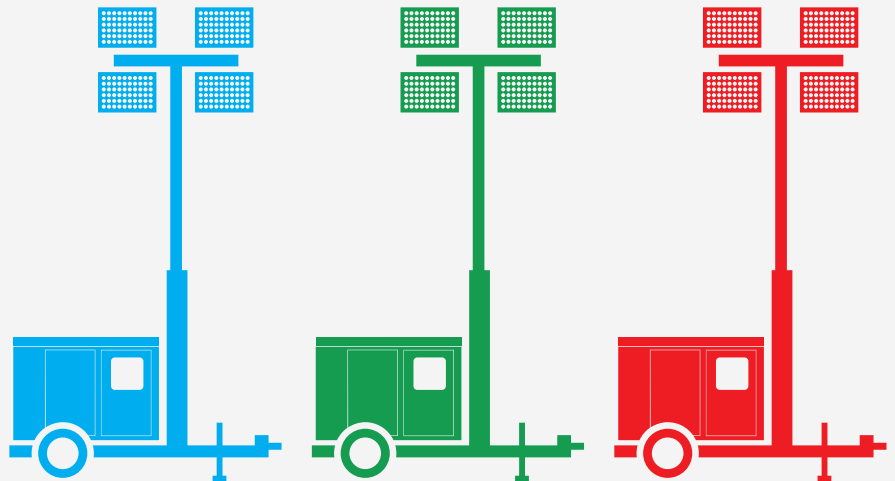


OPTIONAL EQUIPMENT

Double or Single Axle Options



Special Color Options



Hydraulic or Mechanical Mast

