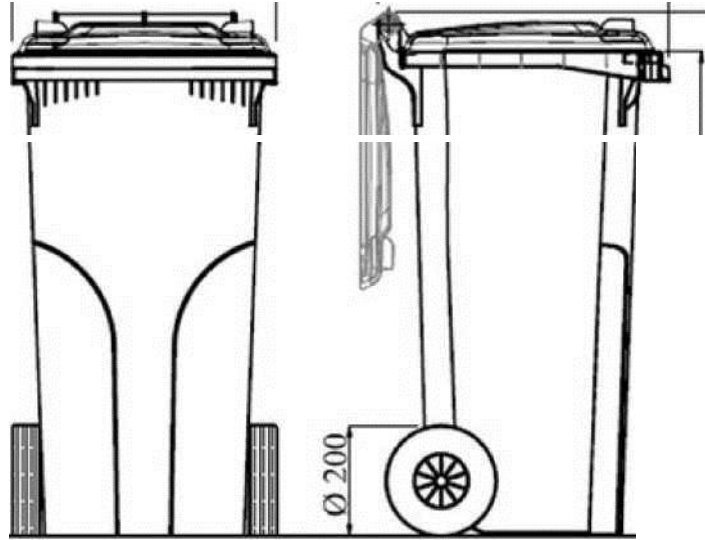


## MATERIAL TECHNICAL INFORMATION

### 120 L Plastic Waste Bin

1- Body and cover with warranty certificate, produced by injection system using high-density polyethylene(HDPE).

Nominal Volume	120 Lt
Uploading Height	875 mm
Upload Capacity	48 Kg
Length	530 mm
Width	480 mm
Height	950 mm
Wheelbase	480 mm
Weight	7.5 Kg



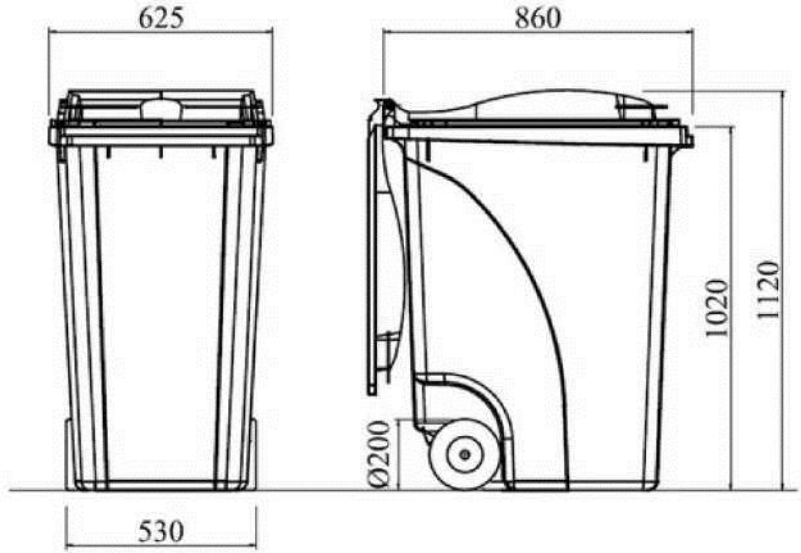
- 2- Resistant to violet and infrared rays, acids, and alkalis, high and low air temperatures.
- 3- The cover is hinged and can be leaned on the back and there are two arms for lifting.
- 4- Combed connection obtained by fusion method on the front of the drum. There are no cutting edges and sharp corners.
- 5- On the backside, there are arms obtained during printing, which facilitates its movement.
- 6- Solid rubber swivel wheel with a diameter of 200 mm. Electrolytically galvanized quality steel shaft.

## MATERIAL TECHNICAL INFORMATION

### 360 L Plastic Waste Bin

- 1- Body and cover with warranty certificate, produced by injection system using high density polyethylene(HDPE).
- 2- Resistan to violet and infrared rays, acids and alkalis, high and low air temperatures.
- 3- The cover is hinged and can be lean on the back and there are two arms for lifting.
- 4- Combed connection obtained by fusion method on the front of the drum. There are no cutting edge and sharp corners.
- 5- On the back side, there are arms obtained during printing, which facilitates its movement.
- 6- Solid rubber swivel wheel with a diameter of 200 mm.Electrolytically galvanized quality steel shaft.
- 7- There is a microchip slot obtained during printing on the front edge of can.

Nominal Volume	360 Lt
Uploading Height	1020 mm
Upload Capacity	140 Kg
Length	860 mm
Width	625 mm
Height	1120 mm
Wheelbase	530 mm
Weight	15 Kg



ZEYREK KONTEYNER İTHALAT İHRACAT PAZ.SAN.LTD.ŞTi

FACTORY: Pinartepe Mahallesi Şehit Celal Maden Dere Cd. No:62/B1 Büyükçekmece / İSTANBUL  
<https://www.zeyrekkonteyner.com/>

ZEYREK KONTEYNER İTH.İHR.  
PAZ. SANAYİ VE TİC. LTD. ŞTİ.  
Pinartepe Mah. Şehit Celal Maden Dere Cad.  
Gül Apt. No:62 B1 Katı No:1 B.Çekmece / İSTANBUL  
Tel: 0216 427 18 64  
Büyükçekmece V.D.: 998 150 5613