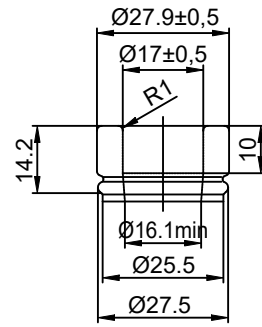
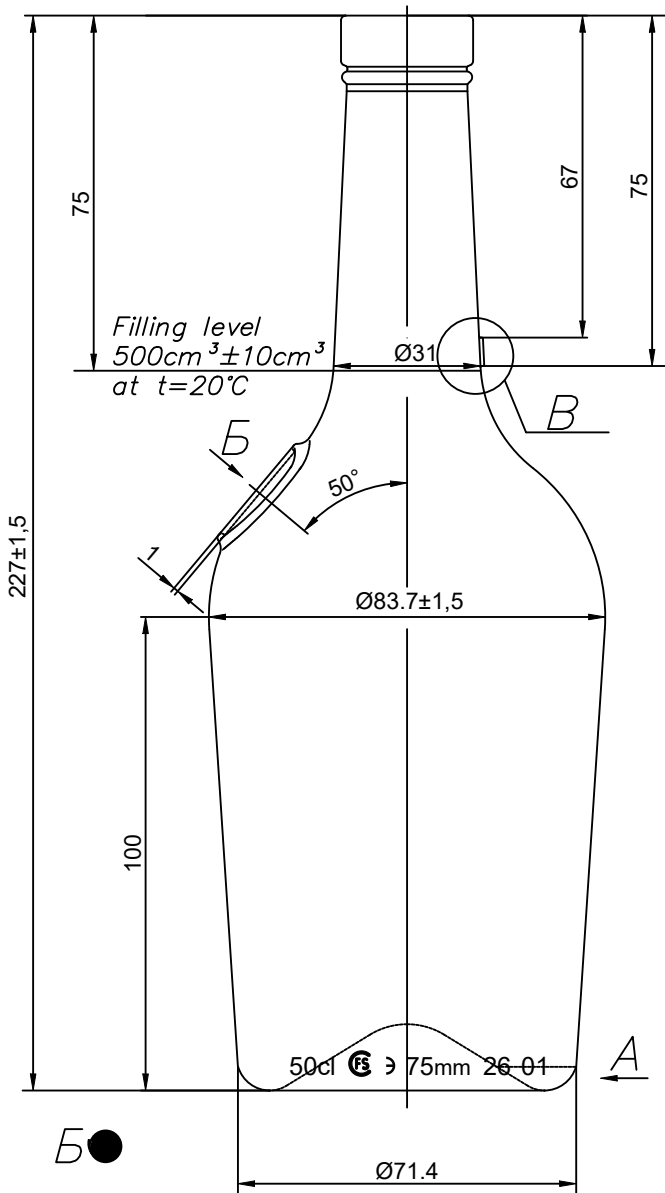
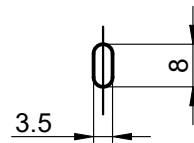


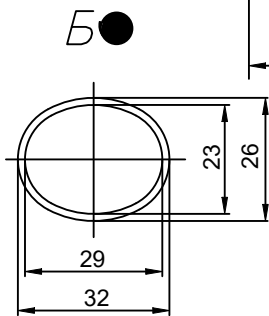
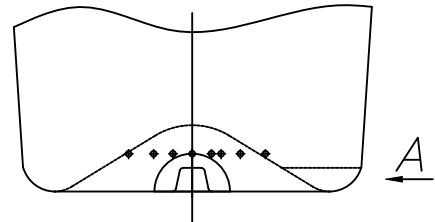
A.206



B0



Optical orientator
3.5x8 and H=1.5



Characteristics

- Nominal capacity, cm³ - 500
- Filling level, cm³ - 500±10
- Weight recommended, g - 355
- Thickness of walls, not less - 1.2 mm
- Thickness of a bottom, not less, - 2.2 mm
- Thermal stability, difference of temperatures, not less, °C - 35
- Internal hydrostatic pressure not less, kgf/cm² - 2

Drawn	Letter	Document N	Signature	Date
Designed		Cosovschi P.		13.03.24
Constr. princip.		Cosovschi P.		13.03.24
Dir. of manuf.		Baltaji I.		

A.206

Bottle
"GLORIA"
P-28-500

Flint

Letter	Weight	Scale
		1:1
Sheet 1	Sheets 3	

FSC