

Gaming BRONZE Series

Power Supplies 450W / 550W / 650W / 750W / 850W

The 80+BRONZE certified Gaming Series ensures maximum voltage stability in tough gaming environments with its DC/DC technology.

Four integrated safety circuits also ensure safe operation at all times. Thanks to the integrated fan, the power supply keeps a cool head even in heated gaming sessions.

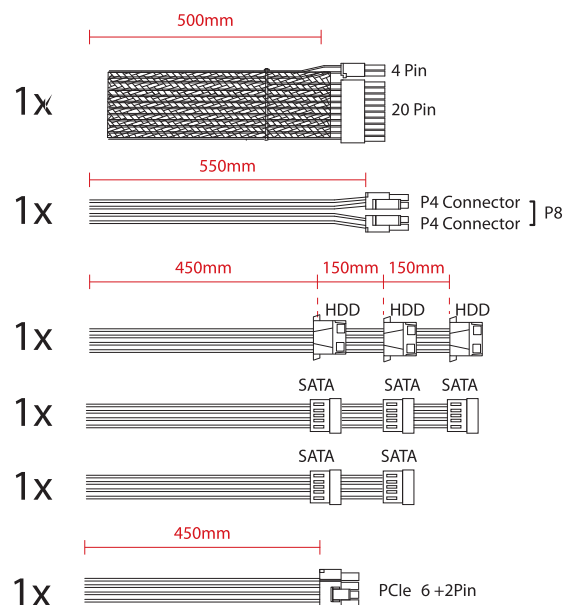


Product Features

- Extremely silent cooling: large 120mm fan
- Excellent air flow design for a better heat dissipation
- Full safety design:
 - OVP (Over Voltage Protection)
 - UVP (Under Voltage Protection)
 - SCP (Short Circuit Protection)
 - OLP (Over Load Protection)
- Low stand-by consumption
- High energy efficiency: 80+ BRONZE® certified (complies with ErP2014 norm)
- Active-PFC

Technical Data | 450W

	AC INPUT	DC OUTPUT
XP450R10	200V - 240V	+ 3.3V 20.0A
		+ 5.0V 14.0A
		+ 12.0V 33.0A
		- 12.0V 0.5A
		+ 5.0VSB 2.5A
Efficiencies		20% > 85%
		50% > 88%
		100% > 85%
Noise Level		20% ~ 16 db(A)
		50% ~ 17 db(A)
		100% ~ 23 db(A)

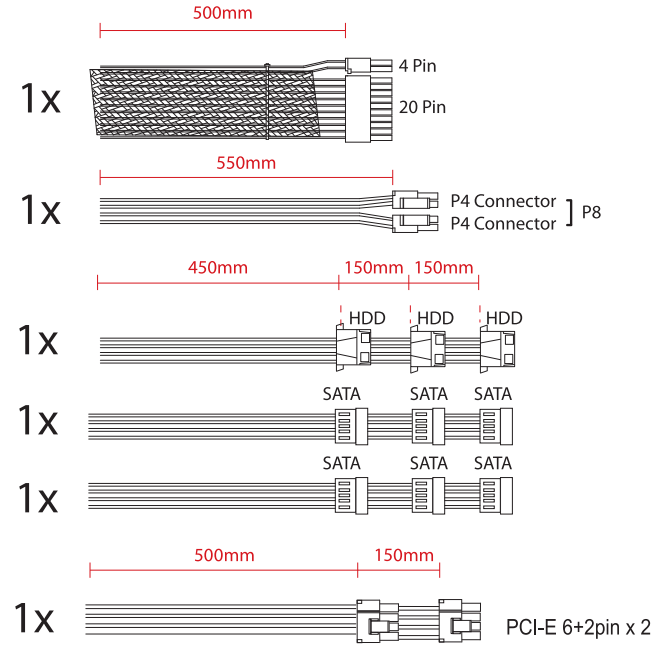


All trademarks and registered marks are the property of their respective companies. Errors excepted. Subject to change without prior notice. Images may differ from original product.

Gaming BRONZE Series

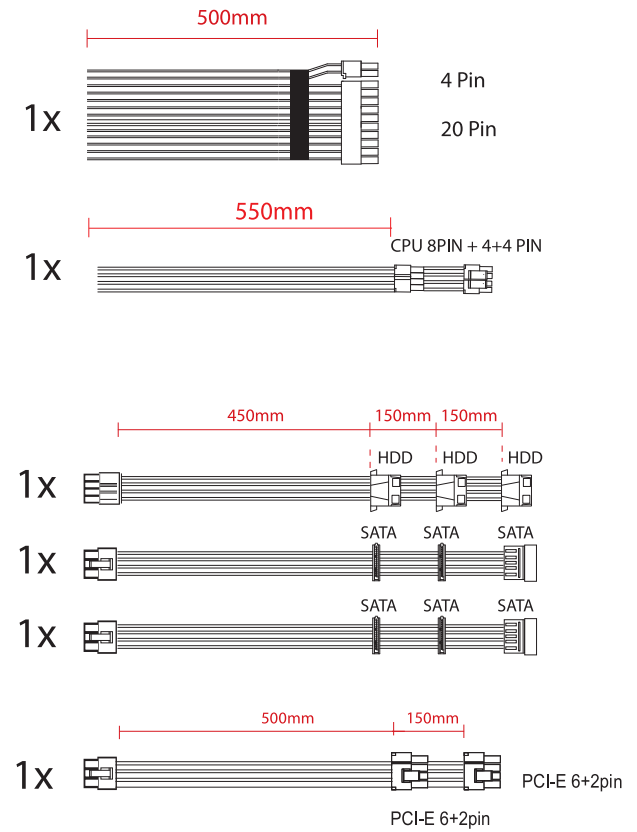
Technical Data | 550W

	AC INPUT	DC OUTPUT
XP550R10	200 - 240V	+ 3.3V 21.0A
		+ 5.0V 16.0A
		+ 12.0V 38.0A
		- 12.0V 0.5A
		+ 5.0VSB 2.5A
Efficiencies		20% > 85%
		50% > 88%
		100% > 85%
Noise Level		20% ~ 17 db(A)
		50% ~ 18 db(A)
		100% ~ 27 db(A)



Technical Data | 650W

	AC INPUT	DC OUTPUT
XP750R10	200 - 240V	+ 3.3V 23.0A
		+ 5.0V 17.0A
		+ 12.0V 48.0A
		- 12.0V 0.5A
		+ 5.0VSB 2.5A
Efficiencies		20% > 85%
		50% > 88%
		100% > 85%
Noise Level		20% ~ 17 db(A)
		50% ~ 18 db(A)
		100% ~ 29 db(A)

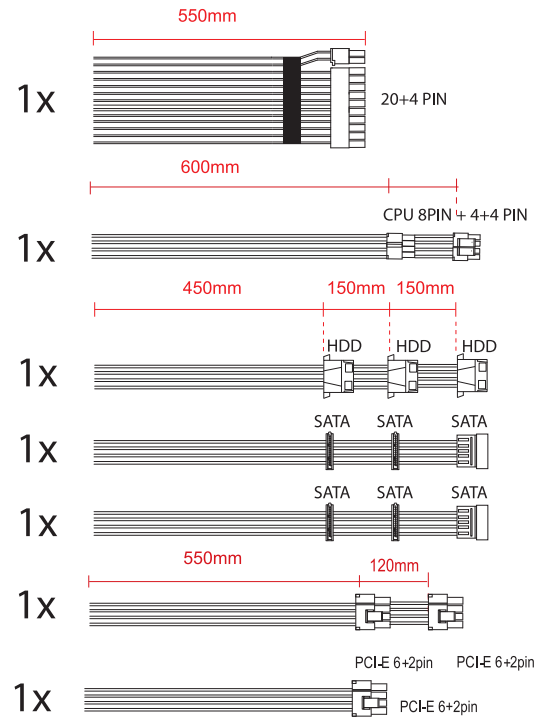


All trademarks and registered marks are the property of their respective companies. Errors excepted. Subject to change without prior notice. Images may differ from original product.

Gaming BRONZE Series

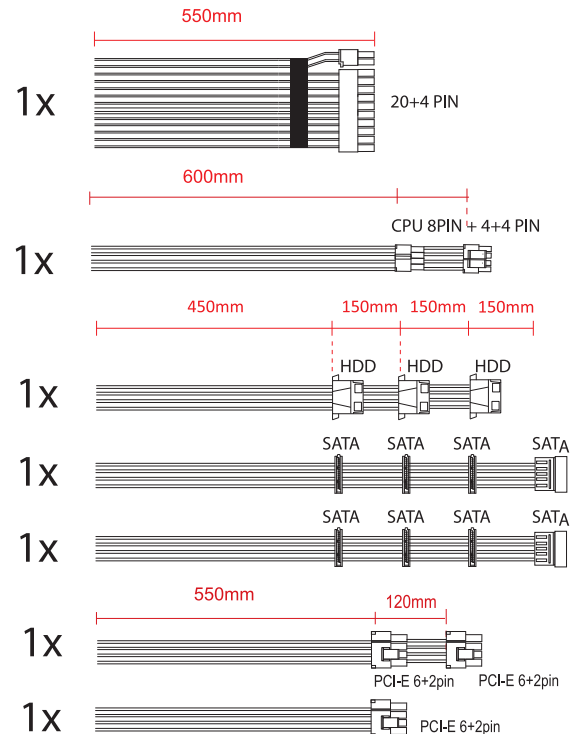
Technical Data | 750W

	AC INPUT	DC OUTPUT
XP750R10	200 - 240V	+ 3.3V 20.0A
		+ 5.0V 20.0A
		+ 12.0V 62.5A
		- 12.0V 0.3A
		+ 5.0VSB 3.0A
Efficiencies	20%	> 85%
	50%	> 88%
	100%	> 85%
Noise Level	20%	~ 17 db(A)
	50%	~ 18 db(A)
	100%	~ 29 db(A)



Technical Data | 850W

	AC INPUT	DC OUTPUT
XP850R10	200 - 240V	+ 3.3V 20.0A
		+ 5.0V 20.0A
		+ 12.0V 70.8A
		- 12.0V 0.3A
		+ 5.0VSB 3.0A
Efficiencies	20%	> 85%
	50%	> 88%
	100%	> 85%
Noise Level	20%	~ 17 db(A)
	50%	~ 18 db(A)
	100%	~ 29 db(A)



Logistical Data

Manufacturer Number	XP450R10	XP550R10	XP650R10	XP750R10	XP850R10
Item Number	XN213	XN215	XN220	XN235	XN240
EAN Barcode	4044953501661	404495351685	4044953503443	4044953502361	4044953502712



All trademarks and registered marks are the property of their respective companies. Errors excepted. Subject to change without prior notice. Images may differ from original product.