

# SX-100

*Tabletop filling machine for automatic processing of vials and bottles.*

*Cost effective / Filling from 0.1 to 250 ml / Changeover in 4 minutes / Output up to 3,000 uph / Conforms with cGMP - US FDA*



The equipment we present is a filling machine for automatic processing of vials and bottles in glass, plastic, or metal, for liquid, semisolid, and powder products, in sterile areas or clean rooms.

The design has been made for use in sterile areas, in compliance with cGMP and US FDA regulations, and in special accordance with the requirements of the pharmaceutical, biotech, cosmetic, chemical and similar industries.

The filling station can be equipped with a peristaltic pump for liquid products, or with a volumetric filling station for viscous or powder products.

The changeover to a different format can be carried out quickly and without tools. The adaptation to different heights of containers is made through digital positioning gauge.

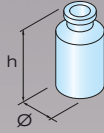
This equipment is suitable for clinical trials or medium production batches.

**Optional equipment:**

- Diving nozzle system.
- Gravimetric dosing system, through scale.
- Gas flushing before, during or after the filling process.
- Laminar flow unit / RABs / Isolator unit.
- IQ / OQ validation package.
- Printing / Codification.

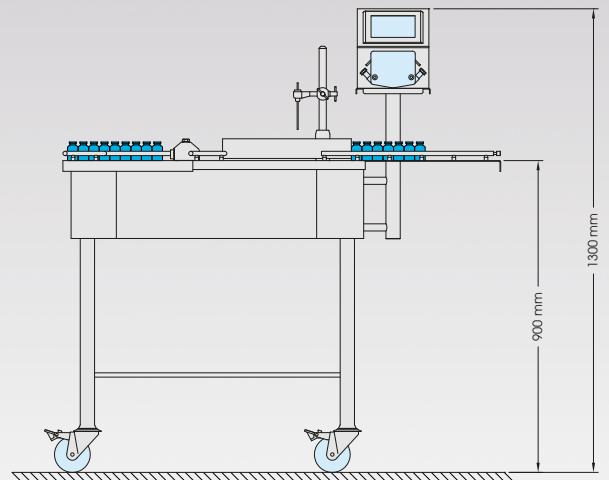
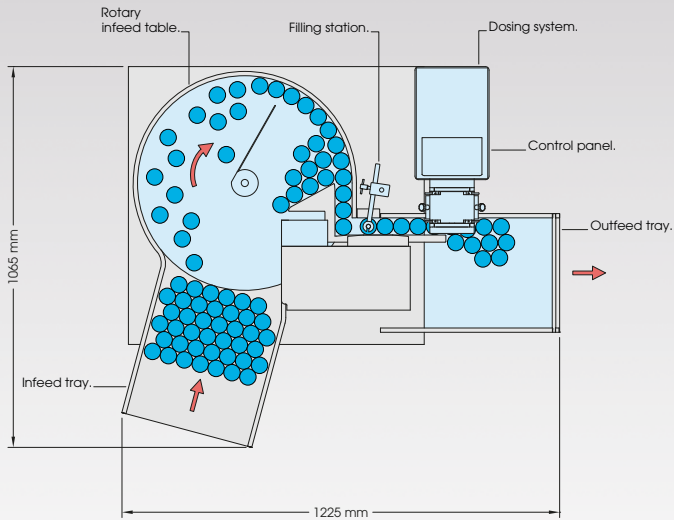
# SX-100

<b>Max. output / uph:</b>	3,000
<b>Container dimensions:</b>	Ø 65 mm max. h 210 mm max.
<b>Dosing range / accuracy:</b>	0.1 ÷ 250 ml / ±0.5%
<b>Electrical supply:</b>	120/230 VAC – 50/60 Hz – 700 W max.
<b>Air supply:</b>	40 l/min max. – Clean and dry air at 6 bar
<b>Max. weight:</b>	110 kg
<b>Materials:</b>	AISI-304 stainless steel, anodised aluminum, POM and contact parts with product in AISI-316L stainless steel



Containers in filling position. Transport system adapted to laminar flow conditions.

## Dimensions:



Subject to technical modifications.

Please note that the illustrations may vary from the standard version in some details.

Your official representative: