

### APPLICATION

The Shoulder SPEEDER coil (MJAJ-177A) is designed for optimal imaging of the shoulder using SPEEDER advanced parallel imaging technology.

### APPLICABLE SYSTEMS

This coil is applicable to the following systems.

System	Software version
Vantage Orian	V4.5 or later
Vantage Fortian	V8.0 or later
Vantage Titan	GP V9.50/9.51*R242 or later V1.37 or later
Vantage Elan	V1.20 or later
EXCELART Vantage Atlas	GP V9.50/9.51*R242 or later V1.30 or later

### COMPOSITION

- Shoulder SPEEDER ..... 1
- Pads and straps ..... 1 set
- Operation manual and accessories ..... 1 set

### FEATURES

This is a soft and flexible 6-element array coil with a winged design, which provides an excellent signal-to-noise ratio. It consists of 3 wing-like structures on each side. The coil can be installed easily, and its flexible structure allows a comfortable fit to be achieved even for large patients.



### APPLICABLE CODES

- IEC 60601-1 (1988) + Amendment 1 (1991)  
+ Amendment 2 (1995)
- IEC 60601-1 (2005) + Amendment 1 (2012)  
+ Amendment 2 (2020)
- IEC 60601-1-2 (2001) + Amendment 1 (2004)
- IEC 60601-1-2 (2007)
- IEC 60601-1-2 (2014) + Amendment 1 (2020)
- IEC 60601-2-33 (2002) + Amendment 1 (2005)  
+ Amendment 2 (2007)
- IEC 60601-2-33 (2010) + Amendment 1 (2013)  
+ Amendment 2 (2015)

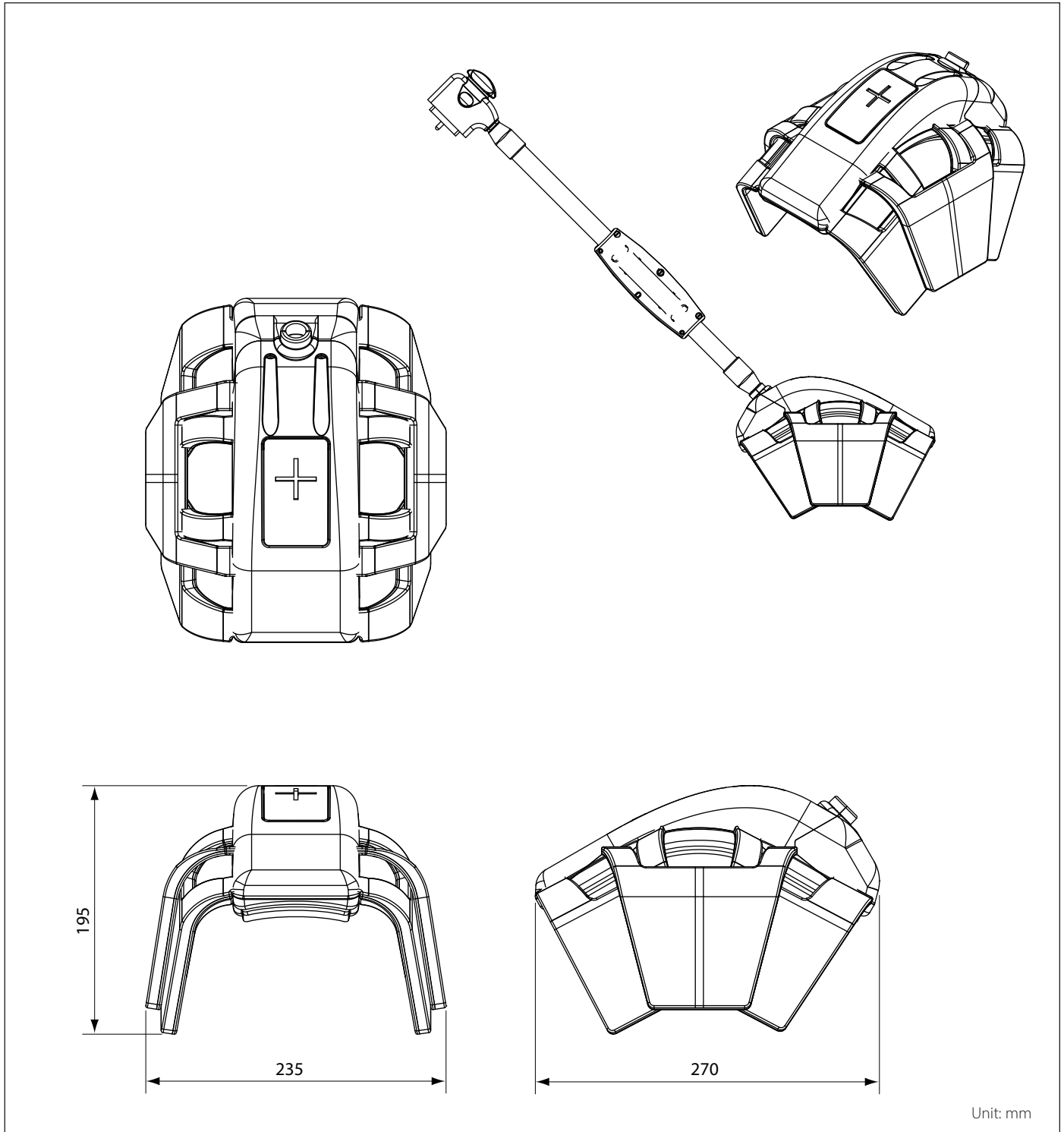
### IEC CLASSIFICATION

Class II  
Type BF Applied Part

### DIMENSIONS AND MASS

Unit	Dimensions W × D × H mm	Mass kg (Approx.)
Shoulder SPEEDER	235 × 270 × 195	1.4
Pads and straps		1.8
Others		2.6

## OUTLINE DRAWINGS



## CANON MEDICAL SYSTEMS CORPORATION

1385, Shimoishigami, Otawara-shi, Tochigi 324-8550, Japan

<https://global.medical.canon>

©Canon Medical Systems Corporation 2010-2023. All rights reserved.  
Design and specifications are subject to change without notice.  
MPDMR0265EAJ 2023-05 CMSC/Produced in Japan

Canon Medical Systems Corporation meets internationally recognized standards for Quality Management System ISO 9001, ISO 13485.  
Canon Medical Systems Corporation meets the Environmental Management System standard ISO 14001.

*Made For life*