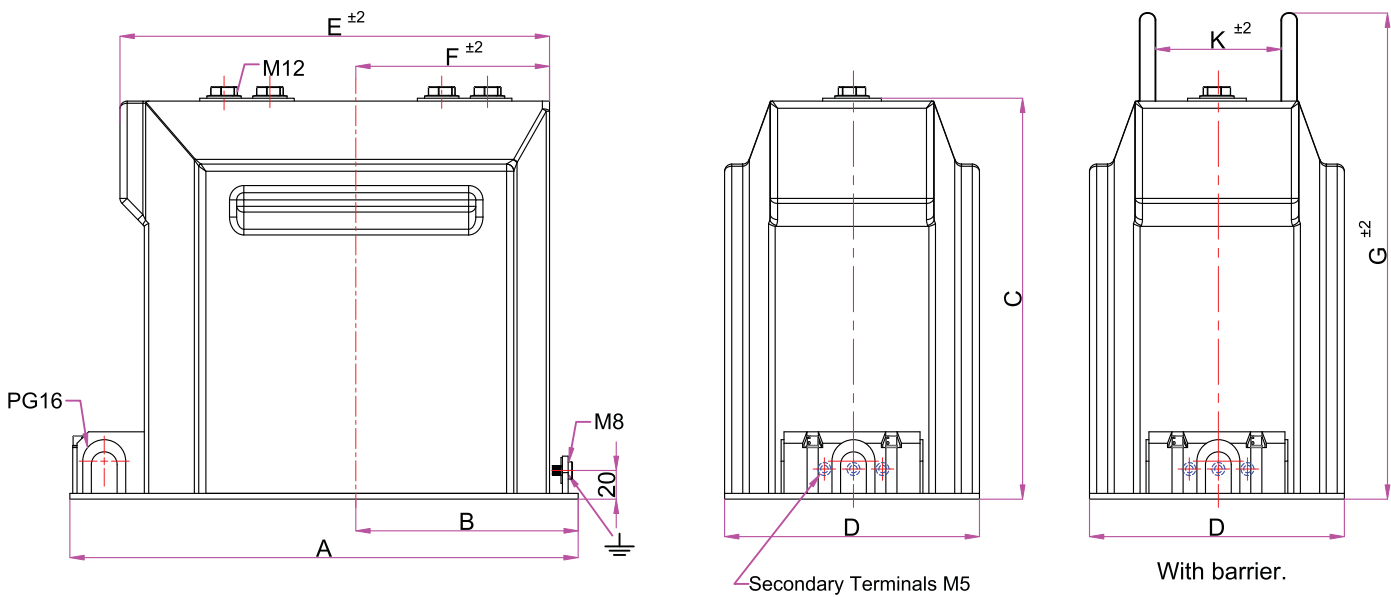
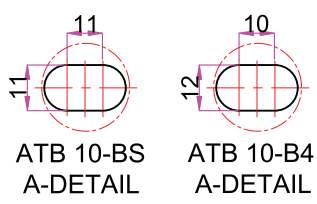
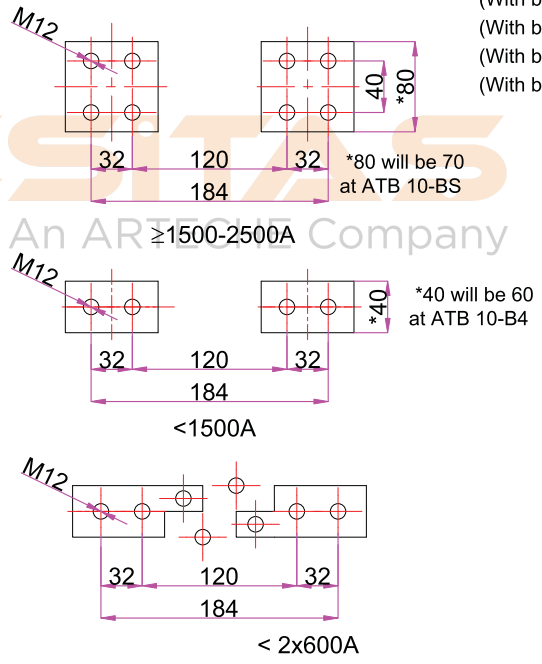
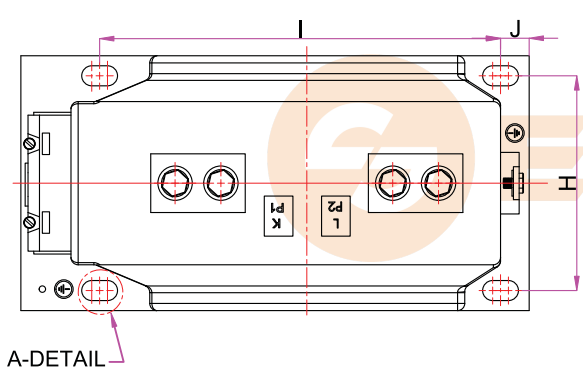


# INDOOR SUPPORT TYPE CAST RESIN INSULATED C.T.'S TECHNICAL DRAWING

(Um=3,6kV ..... 17,5kV NEW BLOCK TYPES)



(With barrier ATB 10-BSB )  
 (With barrier ATB 10-BS2B )  
 (With barrier ATB 10-B3B )  
 (With barrier ATB 10-B4B )



Types	A	B	C	D	E	F	G	H	I	J	K
ATB 10-BS	355	155	220	148	299	135	245	125	270	20	88
ATB 10-BS2	355	155	220	175	300	135	245	150	270	20	115
ATB 10-B3	455	255	220	148	390	245	245	125	370	20	88
ATB 10-B4	355	160	220	184	300	135	280	160	270	25	110

TIGHTENING TORQUE (Nm)	min.	max.
M5 (Secondary Terminal)	2.5	3.5
M8 (Ground Terminal)	15	20
M12 (Primary Terminal)	60	70

- All dimensions are in mm.  
 - Tolerances are according to DIN 7168-g when not specified.  
 - Esitas reserves the right to change the specifications and the dimensions of the goods. Please ask for updated information.  
 - Customer designed products are also available.