

DH-IPC-HFW4631E-SE

6MP WDR IR Mini Bullet Network Camera



- 1/2.9" 6Megapixel progressive scan STARVIS™ CMOS
- H. 265&H.264 triple-stream encoding
- 20fps@6MP(3072x2048), 25/30fps@4MP(2688x1520)
- Smart Detection supported
- WDR(120dB), Day/Night(ICR), 3DNR, AWB, AGC, BLC
- Multiple network monitoring: Web viewer, CMS(DSS/PSS) & DMSS
- 2.8mm fixed lens (3.6mm optional)
- Max. IR LEDs Length 40m
- Micro SD Memory,IP67, PoE



System Overview

With upgraded H.265 encoding technology, Eco-savvy series brings high efficient video compression capability. It can save bandwidth and storage. Meanwhile, the series features starlight, smart IR technology and intelligent image analysis techniques. This series supports reminder function, meanwhile fully protected from dust and water, certified to IP67 and vandal resistant to IK10 standard.

Functions

ePoE technology

The ePoE technology of Dahua, designed internally, adopts advanced 2D-PAM3 coding modulation from physical layer, and realizes full duplex transmission over 800 meters at the speed of 10Mbps, or 300 meters at the speed of 100Mbps via Cat 5 or coaxial cable media. Besides, it supports PoE and PoC power supply technology which has greatly simplified construction and wiring. Dahua ePoE technology offer a new way to accomplish long distance transmission between IP camera and network switch. It allows more flexible surveillance system design, improves reliability and saves construction and wiring cost.

Wide Dynamic Range (WDR)

The camera achieves vivid images, even in the most intense contrast lighting conditions, using industry-leading wide dynamic range (WDR) technology. For applications with both bright and low lighting conditions that change quickly, true WDR (120 dB) optimizes both the bright and dark areas of a scene at the same time to provide usable video.

Intelligent Video analysis (IVS)

IVS is a built-in video analytic algorithm that delivers intelligent functions to monitor a scene for Tripwire violations, intrusion detection, and abandoned or missing objects. A camera with IVS quickly and accurately responds to monitoring events in a specific area. In addition to scene analytics, the camera supports face detection to quickly capture a face and upload the image to a server. The camera also offers tamper

detection by recognizing a dramatic scene change and generating a warning message to inspect the camera.

Environmental

Dahua cameras operate in extreme temperature environments, rated for use in temperatures from -30° C to +60° C (-22° F to +140° F) with 95% humidity, allowing the camera to operate in the harshest environments.

Protection (IP67, wide voltage)

The camera allows for ±30% input voltage tolerance, suitable for the most unstable conditions for outdoor applications. Its 6KV lightning rating provides effective protection for both the camera and its structure against lightning. Subjected and certified to rigorous dust and immersion tests (IP67), the camera is the choice for installation in even the most unforgiving environments.

Smart H.265+

Smart H.265+ is the optimized implementation of the H.265 codec that uses a scene-adaptive encoding strategy, dynamic GOP, dynamic ROI, flexible multi-frame reference structure and intelligent noise reduction to deliver high-quality video without straining the network. Smart H.265+ technology reduces bit rate and storage requirements by up to 70% when compared to standard H.265 video compression.



ONVIF PSIA

Technical Specification

Camera

Image Sensor	1/2.9" 6Megapixel progressive scan CMOS
Effective Pixels	3072(H) x 2048(V)
RAM/ROM	512MB/32MB
Scanning System	Progressive
Electronic Shutter Speed	Auto/Manual, 1/3(4)~1/100000s
Minimum Illumination	0.04Lux/F1.6(Color,1/3s,30IRE) 0.4Lux/F1.6(Color,1/30s,30IRE) 0Lux/F1.6(IR on)
S/N Ratio	More than 50dB
IR Distance	Distance up to 40m (131ft)
IR On/Off Control	Auto/ Manual
IR LEDs	2

Lens

Lens Type	Fixed				
Mount Type	Board-in				
Focal Length	2.8mm (3.6mm optional)				
Max. Aperture	F1.6(F1.6)				
Angle of View	H: 98° (69°), V: 67° (48°)				
Optical Zoom	N/A				
Focus Control	Fixed				
Close Focus Distance	0.9m(1.7m)				
	Lens	Detect	Observe	Recognize	Identify
DORI Distance	2.8 mm	69m(226ft)	28m(92ft)	14m(46ft)	7m(23ft)
	3.6 mm	89m(292ft)	36m(118ft)	18m(59ft)	9m(30ft)

Pan/Tilt/Rotation

Pan/Tilt/Rotation Range	Pan:0°~360°; Tilt:0°~90°; Rotation:0°~360°
-------------------------	--

Intelligence

IVS	Tripwire, Intrusion, Object Abandoned/Missing
Advanced Intelligent Functions	Face Detection

Video

Compression	H.265+/H.265/H.264+/H.264
Streaming Capability	3 Streams
Resolution	(3072x2048)/(3072x1728)/(2592x1944)/ (2688x1520)/(2560x1440)/ (2304x1296)/1080P(1920x1080)/ SXGA(1280x1024)/1.3M(1280x 960)/720P(1280x720)/D1(704x576/704x480)/ CIF(352x288/352x240)
Frame Rate	Main Stream: 6MP (1~20fps), 4MP(1~25/30fps) Sub Stream: D1(1~25/30fps) Third Stream: 1080P(1~25/30fps)
Bit Rate Control	CBR/VBR
Bit Rate	H.264: 24K ~ 10240Kbps H.265: 14K ~ 9984Kbps
Day/Night	Auto(ICR) / Color / B/W

White Balance	Auto/Natural/Street Lamp/Outdoor/Manual
Gain Control	Auto/Manual
Noise Reduction	3D DNR
Motion Detetion	Off / On (4 Zone, Rectangle)
Region of Interest	Off / On (4 Zone)
Electronic Image Stabilization (EIS)	N/A
Smart IR	Support
Defog	N/A
Digital Zoom	16x
Flip	0°/90°/180°/270°
Mirror	Off / On
Privacy Masking	Off / On (4 Area, Rectangle)
Audio	
Compression	N/A
Network	
Ethernet	RJ-45 (10/100Base-T)
Protocol	HTTP; HTTPS; TCP; ARP; RTSP; RTP; UDP; SMTP; FTP; DHCP; DNS; DDNS; PPPOE; IPv4/v6; QoS; UPnP;NTP; Bonjour; 802.1x; Multicast; ICMP; IGMP; SNMP
Interoperability	ONVIF, PSIA, CGI
Streaming Method	Unicast / Multicast
Max. User Access	10 Users /20 Users
Edge Storage	NAS Local PC for instant recording Mirco SD card 128GB
Web Viewer	IE, Chrome, Firefox, Safari
Management Software	Smart PSS, DSS, Easy4ip
Smart Phone	IOS, Android
Certifications	
Certifications	CE (EN 60950:2000) UL:UL60950-1 FCC: FCC Part 15 Subpart B
Interface	
Video Interface	N/A
Audio Interface	N/A
RS485	N/A
Alarm	N/A
Electrical	
Power Supply	DC12V, PoE (802.3af)(Class 0)
Power Consumption	<6.5W



Environmental

Operating Conditions	-30° C ~ +60° C (-22° F ~ +140° F) / Less than 95% RH
Storage Conditions	-30° C ~ +60° C (-22° F ~ +140° F) / Less than 95% RH
Ingress Protection	IP67
Vandal Resistance	N/A
Construction	
Casing	Metal
Dimensions	180mm×70mm×70mm (7.09"×2.76"×2.76")
Net Weight	0.41kg (0.91lb)
Gross Weight	0.53 kg (1.17lb)

Ordering Information

Type	Part Number	Description
6MP camera	DH-IPC-HFW4631EP-SE-0360B	6MP IR Mini Bullet Network Camera, WDR, PAL
	DH-IPC-HFW4631EN-SE-0360B	6MP IR Mini Bullet Network Camera, WDR, NTSC
	IPC-HFW4631EP-SE-0360B	6MP IR Mini Bullet Network Camera, WDR, PAL
	IPC-HFW4631EN-SE-0360B	6MP IR Mini Bullet Network Camera, WDR, NTSC
	DH-IPC-HFW4631EP-SE-0280B	6MP IR Mini Bullet Network Camera, WDR, PAL
	DH-IPC-HFW4631EN-SE-0280B	6MP IR Mini Bullet Network Camera, WDR, NTSC
	IPC-HFW4631EP-S-0280B	6MP IR Mini Bullet Network Camera, WDR, PAL
	IPC-HFW4631EN-SE-0280B	6MP IR Mini Bullet Network Camera, WDR, NTSC
	PFA121	Junction box
	Accessories (optional)	PFA152-E
LR1002		ePoE Over Coax Converter

Accessories

Optional:



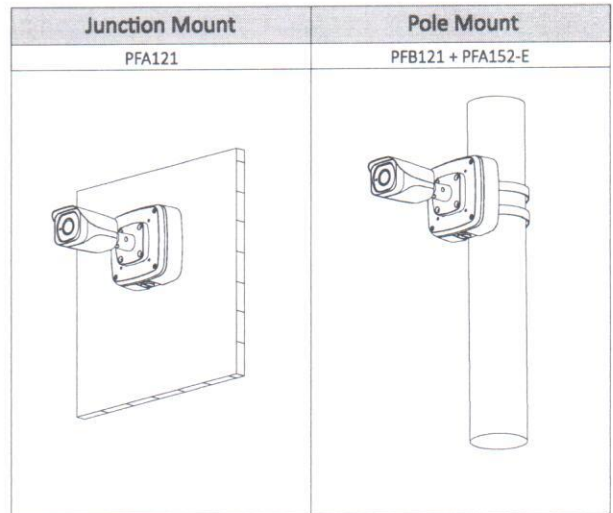
PFA121
Junction Box



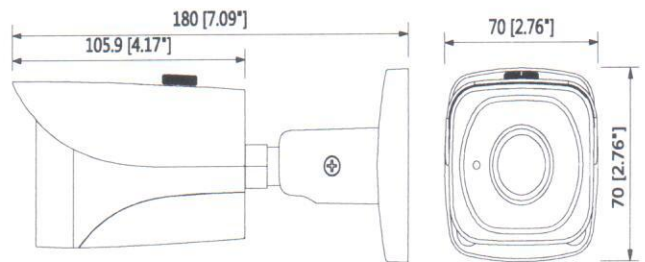
PFA152-E
Pole Mount



LR1002
ePoE Over Coax Converter



Dimensions (mm/inch)



DH-PFS4226-24ET-360

24-Port PoE Switch



Product Overview

DH-PFS4226-24ET-360 is a dedicated PoE switch for security industry, which is different from general switch. PoE management function realizes power control and real-time port consumption display. It's widely used in surveillance project. DH-PFS4226-24ET-360 also provides 250 meters long distance PoE transmission and 'orange port' for Hi-PoE powered device.

Technical Specification

Model	DH-PFS4226-24ET-360
Ethernet Port	2*10/100/1000 Base-T (Combo port) 2*1000 Base-X (Combo port) 24*10/100 Base-T (PoE power supply)
PoE Power Consumption	Port1/2 support Hi-PoE (60W), PoE+, PoE Each power ≤30W Totals360W
PoE Protocol	IEEE802.3af, IEEE802.3at, Hi-PoE
Switching Capacity	8.8G
Packet Forwarding Rate	6.55Mpps
Humidity	10%~90%
Power	AC 100~240V
Lightning Protection	Common Mode 4KV Differential Mode 2KV
Working Temperature	-10°C~55°C
Weight	3.51kg
Dimension(WxDxH)	440mm x300mm x44mm

Accessories

Model	
PFT3950	1.25G 850nm,500m,LC, Multi-mode
PFT3960	1.25G 1310/1550nm,20km,LC, Single-mode
PFT3970	1.25G 1550/1310nm,20km,LC, Single-mode

Features

- Layer 2 management PoE switch
- PoE budget: 360W
- Support PoE, PoE+, Hi-PoE
- 'Orange port' support Hi-PoE, can be used with the PoE extender (PFT1300)
- 250 meters long distance PoE transmission
- PoE management, PoE Setting/Event Statistics/Green PoE
- Search and upgrade via ConfigTool
- Support Web management
- High lightning protection design
- Non-blocking video transmission

Service Characteristics

System	Username / password: admin/admin IP Address :192.168.1.110/24
PoE Budget	360W
MAC Table	4K
VLAN	802.1Q Standard VLAN
Spanning Tree	STP RSTP
Port Aggregation	Static link aggregation LACP protocol
Mirroring	Many-to-one port mirroring
DHCP	Support DHCP-Client
Long Distance Mode	"Power & Data" transmission distance up to 250m
Flow Control	Half-duplex based on back pressure type control; Full duplex based on PAUSE frame
Security Features	IP+MAC binding based on port; IEEE802.1x port authentication
System Maintenance	One-key recovery Support the updated packet upload System log
QoS	High and low priority, WRR 802.1P, DSCP Support priority according to protocol
Network Management	WEB(http and https protocol) Support SNMP V1/V2C/V3
PoE Management	PoE setting (real-time port consumption) PoE event statistics Green PoE



Specificații de preț (F4.2)

[Acest tabel va fi completat de către ofertant în coloanele 5,6,7,8, iar de către autoritatea contractantă – în coloanele 1,2,3,4,9,10]

Numărul procedurii de achiziție: nr. și data indicate în SIA RSAP MTender la procedura de achiziție în cauză
 Denumirea procedurii de achiziție: Sisteme de supraveghere

Cod CPV	Denumirea bunurilor	Unitatea de măsură	Cantitatea	Preț unitar (fără TVA)	Preț unitar (cu TVA)	Suma fără TVA	Suma cu TVA	Termenul de livrare	Clasificație bugetară (IBAN)
1	2	3	4	5	6	7	8	9	10
Lotul 1: Sisteme de supraveghere									
35125000-6	1.1 Camere IP interior	buc.	50	2865	3438	143250	171900	60 de zile din data semnării contractului	MD80TRPC CC518430D0 1371AA
35125000-6	1.2 Camere IP exterior	buc.	10	3336,23	4003,48	33362,3	40034,8	60 de zile din data semnării contractului	MD80TRPC CC518430D0 1371AA
35125000-6	1.3 NVR înregistrator video de rețea	buc.	6	7957,44	9548,93	47744,64	57293,58	60 de zile din data semnării contractului	MD80TRPC CC518430D0 1371AA
35125000-6	1.4 PoE switch pentru conectare camerelor IP, dispozitive acces control	buc.	7	5234,73	6281,67	36643,08	43971,69	60 de zile din data semnării contractului	MD80TRPC CC518430D0 1371AA
Total						261000,0	313200,1		

Semnat:  Numele, Prenumele: Andrei Stănilă în calitate de: Director Tehnic

Ofertantul: Next Security Adresa: Chișinău, str. Colina Ruskin, 4

