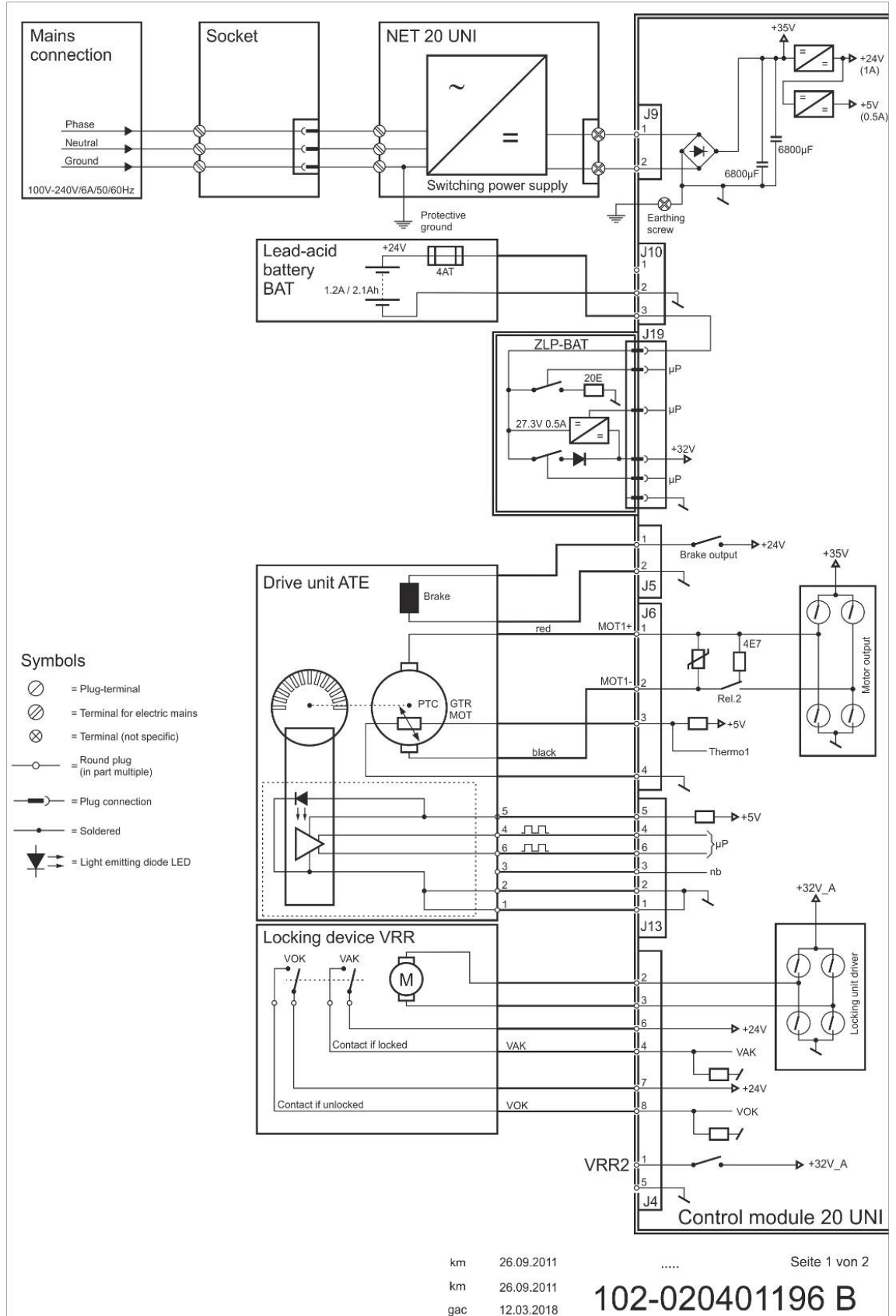
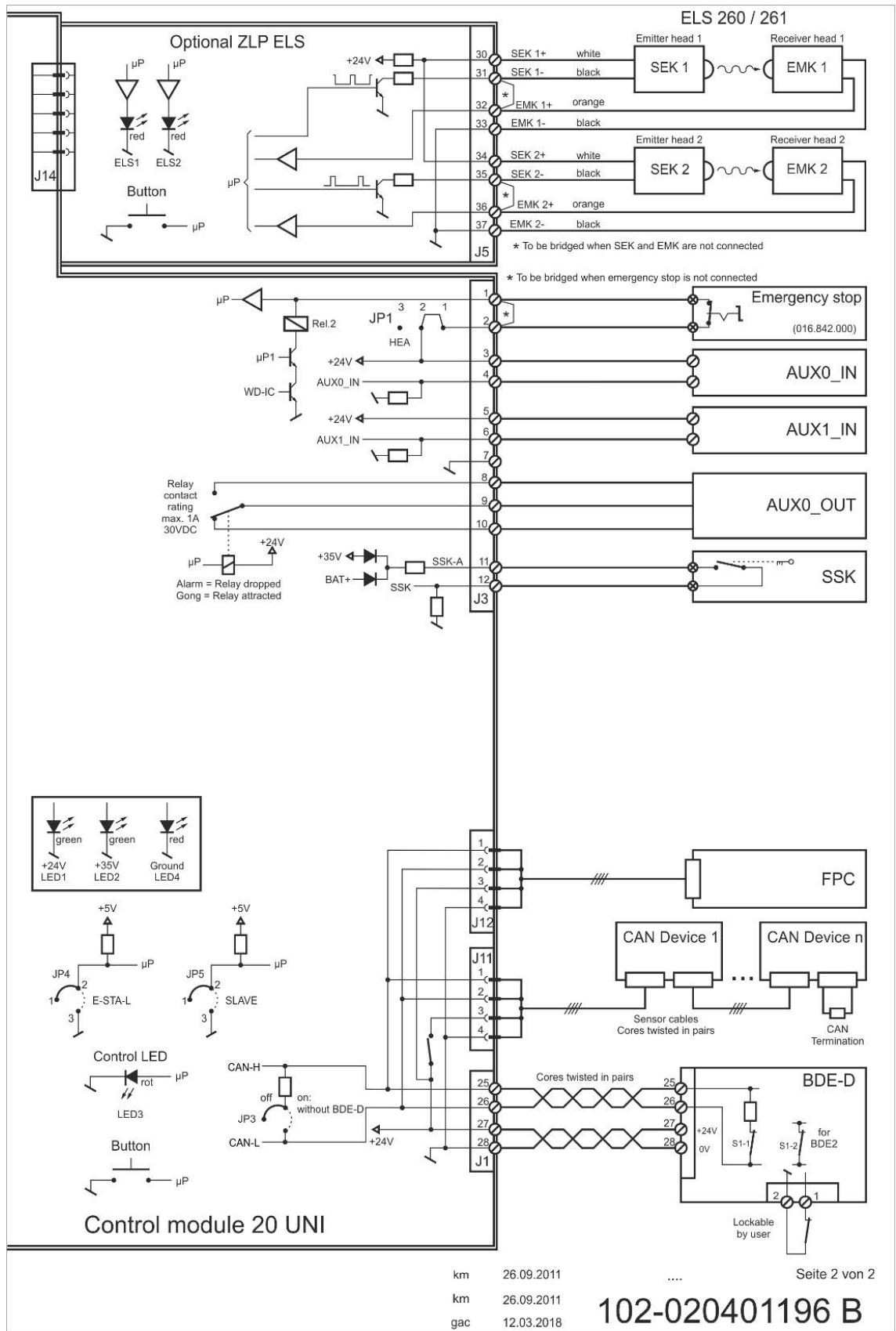




LED	Description	Meaning
LD1	Green: + 24 V	Is on, if 24 volt circuit is OK Goes OFF in case of short-circuit in 24 volt
LD2	Green: + 35V	Is on, if system connected to mains voltage
LD3	Red control: MFT button	For MFT button – flashes, when button is pressed
LD4	Red control: Ground	Must light up, if ground screw (protective earth) is withdrawn. Otherwise there is a ground fault.
Multifunction button MFT	Function, after flash impulses have been given	
1 flash impulse	Releases an opening movement (AKI)	
2 flash impulses	Calibrating ELS	
3 flash impulses	Calibrating door parameters	
4 flash impulses	Entering programming level	
5 flash impulses	Battery emergency reaction, as long as system is disconnected from mains Battery test in case of mains connection	
8 flash impulses	Loads default values of door type selected	
9 flash impulses	Back to factory settings (afterwards an emergency stop or a reset must be actuated within 10 seconds). The function emergency-stop with reset can only be actuated if the INPUT/OUTPUT parameter Emergency-Stop with Reset is active!	
14 flash impulses	Hardware-Reset will be done after approx. 12 sec. (all parameters remain unchanged)	
Connector designation	Connections	
J1	Terminals 25 – 28 → for BDE-D	
J3	Terminals 1 – 12: Functions according to wiring diagram 102-020401196	
J4	Locking device VRR	
J5	Motor brake	
J6	Drive unit ATE	
J9	Power supply NET 20 UNI	
J10	Lead battery BAT → Notice: supplementary board for lead battery (ZLP-BAT 19) necessary!	
J11	CAN-bus for sensors	
J12	CAN-bus plug for FPC-servicing	
J13	Encoder motor	
J14	Supplementary board for safety beams ELS (ZLP-ELS)	
J17	Reserved for future modules	
J19	Supplementary board for lead battery BAT (ZLP-BAT 19)	

1.3 Wiring diagram control module STG 20 UNI





km 26.09.2011  
 km 26.09.2011  
 gac 12.03.2018

Seite 2 von 2  
 102-020401196 B