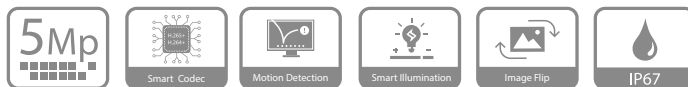


DH-IPC-HFW1530S-S6

5MP Entry IR Fixed-focal Bullet Network Camera



- 5MP 1/2.7" CMOS image sensor, low luminance, and high definition image.
- Outputs max. 5MP (2880 × 1620) @20 fps and supports 2688 × 1520 (2688 × 1520) @25/30 fps.
- H.265 codec, high compression rate, and ultra-low bit rate.
- Built-in IR LED, and the max. illumination distance is 30 m.
- ROI, SMART H.264 +/H.265+, flexible coding, applicable to various bandwidth and storage environments.
- Rotation mode, DWDR, 3D NR, HLC, BLC, digital watermarking, applicable to various monitoring scenes.
- Abnormality detection: Motion detection, video tampering, audio detection, network disconnection, IP conflict, and illegal access.
- Built-in MIC.
- 12 V DC/PoE power supply.
- IP67 protection.



Series Overview

With features of simple installation, easy operation, and high performance-cost ratio, Dahua Entry series network camera is applicable to small and medium-sized scenes, such as homes/residences, small-sized retail stores, and other small and medium-sized enterprises.

Functions

Smart H.265+ & Smart H.264+

With advanced scene-adaptive rate control algorithm, Dahua smart encoding technology realizes the higher encoding efficiency than H.265 and H.264, provides high-quality video, and reduces the cost of storage and transmission.

Motion Detection

When moving objects appear in the monitoring image, Dahua Motion Detection (General) technology triggers alarm or records.

Smart Illumination

Dahua Smart Illumination technology can display image in the environment of low illuminance or completely dark environment. According to the distance of the targets, the camera adjusts Illuminations intensity automatically to display the details of the moving target.

Image Flip

For narrow and long scenes, Dahua image flip technology flips the image by 90°/180°/270° to realize better surveillance in rotation mode.

Cyber Security

Dahua network cameras employ a series of security technologies, including security authentication and authorization, access control protocols, trusted protection, encrypted transmission and encrypted storage. These technologies improve the camera's defense against external cyber threats and prevent malicious programs from comprising the device.

Protection (IP67, wide voltage)

IP67: The camera passes a series of strict test on dust and soak. It has dust-proof function, and the enclosure can works normal after soaking in 1 m deep water for 30 minutes.

Wide voltage: The camera allows ±30% (for some power supplies) input voltage tolerance (wide voltage range), and it is widely applied to outdoor environment with instable voltage.

Technical Specification					
Camera					
Image Sensor	1/2.7" CMOS				
Max. Resolution	2880 (H) × 1620 (V)				
ROM	16 MB				
RAM	128 MB				
Scanning System	Progressive				
Electronic Shutter Speed	Auto/Manual 1/3 s–1/100,000 s				
Min. Illumination	0.03 Lux@F2.0 (Color, 30 IRE) 0.003 Lux@F2.0 (B/W, 30 IRE) 0 Lux (Illuminator on)				
S/N Ratio	> 56 dB				
Illumination Distance	30 m (98.43 ft) (IR)				
Illuminator On/Off Control	Auto/Manual				
Illuminator Number	1 (IR LED)				
Pan/Tilt/Rotation Range	Pan: 0°–360° Tilt: 0°–90° Rotation: 0°–360°				
Lens					
Lens Type	Fixed-focal				
Lens Mount	M12				
Focal Length	2.8 mm; 3.6 mm				
Max. Aperture	2.8 mm: F2.0 3.6 mm: F2.0				
Field of View	2.8 mm: Horizontal: 106°; Vertical: 56°; Diagonal: 125° 3.6 mm: Horizontal: 92°; Vertical: 48°; Diagonal: 109°				
Iris Control	Fixed				
Close Focus Distance	2.8 mm: 0.8 m (2.62 ft) 3.6 mm: 1.3 m (4.27 ft)				
DORI Distance	Lens	Detect	Observe	Recognize	Identify
	2.8 mm	56.0 m (183.73 ft)	22.4 m (73.49 ft)	11.2 m (36.75 ft)	5.6 m (18.37 ft)
	3.6 mm	76.0 m (249.34 ft)	30.4 m (99.74 ft)	15.2 m (49.87 ft)	7.6 m (24.93 ft)
Video					
Video Compression	H.265; H.264; H.264B; MJPEG (only supported by the sub stream)				
Smart Codec	Smart H.265+; Smart H.264+				
Video Frame Rate	Main stream: 2880 × 1620 (1 fps–20 fps) 2688 × 1520 (1 fps–25/30 fps) Sub stream: 704 × 576 (1 fps–25 fps) 704 × 480 (1 fps–30 fps) *The values above are the max. frame rates of each stream; for multiple streams, the values will be subjected to the total encoding capacity.				
Stream Capability	2 streams				
Resolution	2880 × 1620 (2880 × 1620); 2688 × 1520 (2688 × 1520); 2560 × 1440 (2560 × 1440); 3M (2048 × 1536); 2304 × 1296 (2304 × 1296); 1080p (1920 × 1080); 1.3M (1280 × 960); 720p (1280 × 720); D1 (704 × 576/704 × 480); VGA (640 × 480); CIF (352 × 288/352 × 240)				

Bit Rate Control	CBR/VBR
Video Bit Rate	H.264: 32 kbps–6144 kbps H.265: 12 kbps–6144 kbps
Day/Night	Auto(ICR)/Color/B/W
BLC	Yes
HLC	Yes
WDR	DWDR
White Balance	Auto; natural; street lamp; outdoor; manual; regional custom
Gain Control	Auto; manual
Noise Reduction	3D NR
Motion Detection	OFF/ON (4 areas, rectangular)
Region of Interest (RoI)	Yes (4 areas)
Smart Illumination	Yes
Image Rotation	0°/90°/180°/270° (Support 90°/270° with 2688 × 1520 resolution and lower)
Mirror	Yes
Privacy Masking	4 areas

Audio

Built-in MIC	Yes
Audio Compression	G.711a; G.711Mu; G.726; PCM

Alarm

Alarm Event	Network disconnection; IP conflict; illegal access; motion detection; video tampering; audio detection; security exception
-------------	--

Network

Network Port	RJ-45 (10/100 Base-T)
SDK and API	Yes

Cyber Security

Cyber Security	Video encryption; configuration encryption; Digest; WSSE; account lockout; security logs; generation and importing of X.509 certification; HTTPS; trusted boot; trusted execution; trusted upgrade
----------------	--

Network Protocol

Network Protocol	IPv4; IPv6; HTTP; TCP; UDP; ARP; RTP; RTSP; SMTP; FTP; DHCP; DNS; DDNS; NTP; Multicast
Interoperability	ONVIF (Profile S/Profile T); CGI; P2P; Genetec; Milestone
User/Host	6 (Total bandwidth: 48 M)

Storage

Storage	FTP
Browser	IE Chrome Firefox

Management Software

Management Software	Smart PSS; DSS; DMSS
Mobile Client	IOS; Android

Certification

Certifications	CE-LVD: EN62368-1 CE-EMC: Electromagnetic Compatibility Directive 2014/30/EU FCC: 47 CFR FCC Part 15, Subpart B
----------------	---

Power

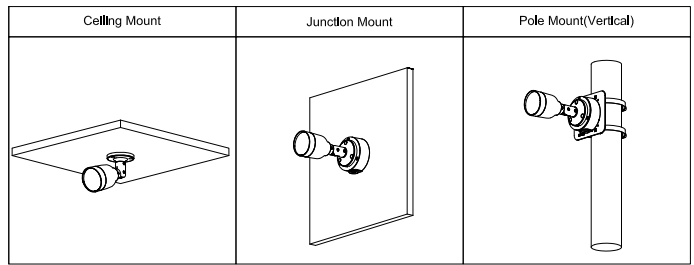
Power Supply	12V DC/PoE (802.3af)
Power Consumption	Basic: 1.9W (12V DC); 2.3W (PoE) Max. (ICR + H.265 + max. resolution + main stream + DWDR + IR intensity): 3.9W (12V DC); 4.5W (PoE)

Environment

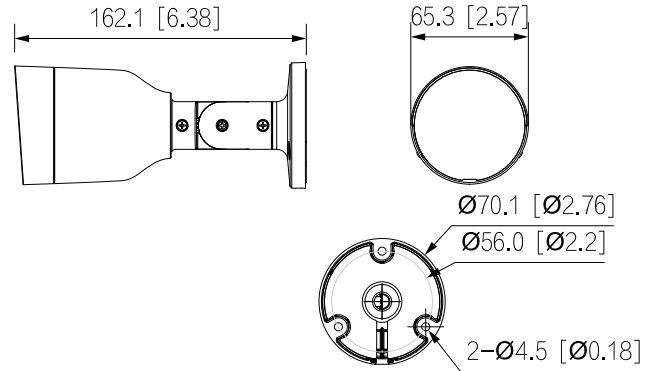
Operating Temperature	-40°C to +60°C (-40°F to +140°F)
Operating Humidity	≤95%
Storage Temperature	-40°C to +60°C (-40°F to +140°F)
Protection	IP67

Structure

Casing	Metal
Product Dimensions	162.1 mm × Ø70.1 mm (6.38" × Ø2.76")
Net Weight	0.32 kg (0.71 lb)
Gross Weight	0.45 kg (0.99 lb)



Dimensions (mm[inch])



Ordering Information

Type	Model	Description
5MP Camera	DH-IPC-HFW1530S-S6	5MP Entry IR Fixed-focal Bullet Network Camera
Accessories (optional)	PFA134	Junction Box
	PFA130-E	IP66 Junction Box
	PFA152-E	Pole Mount Bracket
	PFM321D	12V DC 1A Power Adapter
	PFM900-E	Integrated Mount Tester

Accessories

Optional:



PFA134
Junction Box



PFA130-E
IP66 Junction Box



PFA152-E
Pole Mount Bracket



PFM321D
12V DC 1A Power Adapter



PFM900-E
Integrated Mount Tester