

AXIS Q6325-LE PTZ Camera

AI-powered PTZ with outstanding image quality

AXIS Q6325-LE offers 2 MP with a light-sensitive 1/2" inch sensor and 31x optical zoom. Built on ARTPEC-9, it ensures accelerated performance to run impressive analytics applications on the edge. For instance, *AXIS Object Analytics* can detect and classify humans, vehicles, and types of vehicles. This IP66-, IK10-, and NEMA 4x-rated device is impact- and weather-resistant. Plus, it's NEMA TS2 rated, so it can be used in temperatures up to 74°C. Axis Zipstream with support for AV1, H.264, and H.265 significantly lowers bandwidth and storage requirements. Furthermore, Axis Edge Vault safeguards your device and protects sensitive information from unauthorized access.

- > **Clear images with 1/2" sensor and 31x zoom**
- > **Superior visibility in all lighting conditions**
- > **Advanced AI analytics for smarter surveillance**
- > **Reduced storage costs with AV1 codec**
- > **Built-in cybersecurity with Axis Edge Vault**



AXIS Q6325-LE PTZ Camera

Camera

Image sensor

1/2" progressive scan CMOS

Lens

Optical zoom: 31x
Focal length: 6.91 – 214.64 mm
Horizontal field of view: 60.6° – 2.0°
Vertical field of view: 36.5° – 1.1°
Autofocus, P-iris

Day and night

Automatically removable infrared-cut filter

Minimum illumination

Color: 0.09 lux at 30 IRE, F1.36
B/W: 0.002 lux at 30 IRE, F1.36, 0 lux with IR illumination on
Color: 0.4 lux at 50 IRE, F1.36
B/W: 0.008 lux at 50 IRE, F1.36, 0 lux with IR illumination on

Shutter speed

1/111000 s to 1/2 s

Pan/Tilt/Zoom

Pan with 60 W midspan: 360° endless, 0.05° – 500°/s
Tilt with 60 W midspan: +20 to -90°, 0.05° – 450°/s
Zoom: 31x optical, 12x digital, Total 372x zoom
Nadir flip, 300 preset positions, tour recording (max 10, max duration 16 minutes each), guard tour (max 100), control queue, on-screen directional indicator, set new pan 0°, adjustable zoom speed, speed dry

System on chip (SoC)

Model

ARTPEC-9

Memory

4 GB RAM, 8 GB Flash

Compute capabilities

Deep learning processing unit (DLPU)

Video

Video compression

AV1
H.264 (MPEG-4 Part 10/AVC) Baseline, Main and High Profiles
H.265 (MPEG-H Part 2/HEVC) Main Profile
Motion JPEG

Resolution

1920x1080 (HDTV 1080p) to 320x180

Frame rate

Up to 50/60 fps (50/60 Hz) in all resolutions

Video streaming

Multiple, individually configurable streams in AV1, H.264, H.265 and Motion JPEG
Axis Zipstream technology in AV1, H.264 and H.265
Controllable frame rate and bandwidth
VBR/ABR/MBR AV1/H.264/H.265
Low latency mode
Video streaming indicator

Image settings

Compression, color, brightness, sharpness, white balance, exposure control, exposure zones, image freeze on PTZ, scene profiles, rotation, electronic image stabilization (EIS), defogging
Contrast, local contrast, autofocus, Forensic WDR: Up to 120 dB depending on scene, 100 individual polygon privacy masks including mosaic and chameleon privacy masks

Signal-to-noise ratio

>55 dB

Audio

Input

Input through portcast technology

Output

Output through portcast technology

Network

Security

Multi-level user, IP address filtering, HTTPS¹ encryption, IEEE 802.1x (EAP-TLS)¹, network access control, user access log, centralized certificate management, secure keystore (CC EAL4 certified), TPM-equivalent secure element (CC EAL 6+, FIPS 140-3 Level 3)

Network protocols

IPv4, IPv6 USGv6, ICMPv4/ICMPv6, HTTP, HTTPS¹, HTTP/2, TLS¹, QoS Layer 3 DiffServ, FTP, SFTP, CIFS/SMB, SMTP, mDNS (Bonjour), UPnP[®], SNMP v1/v2c/v3 (MIB-II), DNS/DNSv6, DDNS, NTP, NTS, RTSP, RTCP, RTP, SRTP/RTSPS, TCP, UDP, IGMPv1/v2/v3, DHCPv4/v6, ARP, SSH, NTCIP, LLDP, CDP, MQTT v3.1.1, Secure syslog (RFC 3164/5424, UDP/TCP/TLS), Link-Local address (ZeroConf)

System integration

Application Programming Interface

Open API for software integration, including VAPIX[®] and AXIS Camera Application Platform; specifications at axis.com

One-Click Cloud Connection

ONVIF[®] Profile G, ONVIF[®] Profile M, ONVIF[®] Profile S, and ONVIF[®] Profile T, specification at onvif.org

Onscreen controls

IR illumination
Speed dry

Event conditions

Device status: above operating temperature, above or below operating temperature, below operating temperature, fan failure, IP address removed, IP address blocked, live stream active, network lost, new IP address, PTZ power failure, system ready, within operating temperature

Edge storage: recording ongoing, storage disruption, storage health issues detected

I/O: manual trigger, virtual input²

MQTT: MQTT client connected

PTZ: PTZ malfunctioning, PTZ movement, PTZ preset position reached, PTZ ready

Scheduled and recurring: schedule

Video: average bitrate degradation, day-night mode

Event actions

Day-night mode: Use day-night mode while the rule is active

Defog: set defog mode, set defog mode while the rule is active

Illumination: use lights, use lights while the rule is active

Images: FTP, SFTP, HTTP, HTTPS, network share and email

MQTT: MQTT publish

Notification: email, HTTP, HTTPS, TCP

Overlay text: use overlay text, use overlay text while the rule is active

Recordings: record video, record video while the rule is active

Security: erase configuration

SNMP: trap messages, trap messages while the rule is active

Video clips: FTP, HTTP, HTTPS, SFTP, email, network share

Analytics

Applications

Included

AXIS Object Analytics, AXIS Scene Metadata, AXIS Video Motion Detection, AXIS OSDI Zone, Orientation Aid PTZ, Advanced Gatekeeper, Autotracking 2

Supported

Support for AXIS Camera Application Platform enabling installation of third-party applications, see axis.com/acap

AXIS Object Analytics

Object classes: humans, vehicles (types: cars, buses, trucks, bikes, other)

Scenarios: line crossing, object in area, time in area, crossline counting, tailgating detection, PPE monitoring^{BETA}, motion in area, motion line crossing
Up to 10 scenarios

Other features: triggered objects visualized with trajectories, color-coded bounding boxes and tables
Polygon include/exclude areas

Perspective configuration

ONVIF Motion Alarm event

AXIS Scene Metadata

Object classes: humans, faces, vehicles (types: cars, buses, trucks, bikes), license plates

Object attributes: vehicle color, upper/lower clothing color, confidence, position

1. This product includes software developed by the OpenSSL Project for use in the OpenSSL Toolkit. (openssl.org), and cryptographic software written by Eric Young (ey@cryptsoft.com).

2. Only available with midspan.

Approvals

EMC

EN 55032 Class A, EN 55035, EN 61000-3-2, EN 61000-3-3, EN 61000-6-1, EN 61000-6-2, CISPR 35, EAC, EN 50121-4

Australia/New Zealand: RCM AS/NZS CISPR 32 Class A

Canada: ICES-3(A)/NMB-3(A)

Japan: VCCI Class A

Korea: KS C 9835, KS C 9832 Class A

USA: FCC Part 15 Subpart B Class A

Railway: IEC 62236-4

Safety

IEC/EN/UL 62368-1, CAN/CSA C22.2 No. 62368-1, IEC/EN 62471 risk group 2, IEC 60825-1 Class 1

Environment

IEC/EN 62262 IK10, IEC/EN 60529 IP66, NEMA 250, Type 4X, NEMA TS 2 (2.2.7-2.2.9), IEC 60068-2-1, IEC 60068-2-2, IEC 60068-2-6, IEC 60068-2-14, IEC 60068-2-27, IEC 60068-2-78, ISO 21207 (Method B), ISO 12944-6 C5

Network

IPv6 USGv6, NIST SP500-267

Cybersecurity

ETSI EN 303 645, BSI IT Security Label, FIPS 140

Cybersecurity

Edge security

Software: Signed OS, brute force delay protection, digest authentication and OAuth 2.0 RFC6749 OpenID Authorization Code Flow for centralized ADFS account management, password protection, AES-XTS-Plain64 256bit SD card encryption

Hardware: Axis Edge Vault cybersecurity platform
Secure keystore: secure element (CC EAL6+, FIPS 140-3 Level 3), system-on-chip security (TEE)
Axis device ID, signed video, secure boot, encrypted filesystem (AES-XTS-Plain64 256bit)

Network security

IEEE 802.1X (EAP-TLS, PEAP-MSCHAPv2)³, IEEE 802.1AE (MACsec PSK/EAP-TLS), HTTPS/HSTS³, TLS v1.2/v1.3³, Network Time Security (NTS), X.509 Certificate PKI, host-based firewall

Documentation

AXIS OS Hardening Guide

Axis Vulnerability Management Policy

Axis Security Development Model

AXIS OS Software Bill of Material (SBOM)

To download documents, go to axis.com/support/cybersecurity/resources

To read more about Axis cybersecurity support, go to axis.com/cybersecurity

General

Casing

IP66-, NEMA 4X- and IK10-rated

Color: white NCS S 1002-B

Repaintable metal casing (aluminum), hard coated Polycarbonate (PC) clear dome with Sharpdome technology

Power

PoE, IEEE 802.3bt Class 6

Typical 13 W (no IR), max 51 W

Features: power profiles, power meter

Connectors

RJ45 10BASE-T/100BASE-TX/1000BASE-T

RJ45 Push-pull Connector (IP66)

IR illumination

Optimized IR with power-efficient, long-life 850 nm IR LEDs

Range of reach with 60 W midspan: 250 m (820 ft) or more depending on the scene

Storage

Support for SD/SDHC/SDXC card

Support for SD card encryption (AES-XTS-Plain64 256bit)

Support for recording to network-attached storage (NAS)

For SD card and NAS recommendations see axis.com

Operating conditions

Full power with 60 W midspan: -50 °C to 55 °C (-58 °F to 131 °F)

Maximum temperature according to NEMA TS 2 (2.2.7): 74 °C (165 °F)

Arctic Temperature Control: Start-up as low as -40 °C (-40 °F)

Humidity 10–100% RH (condensing)

Storage conditions

-40 °C to 65 °C (-40 °F to 149 °F)

Humidity 5–95% RH (non-condensing)

3. This product includes software developed by the OpenSSL Project for use in the OpenSSL Toolkit. (openssl.org), and cryptographic software written by Eric Young (eay@cryptsoft.com).

Dimensions

Height: 261 mm (10.3 in)

With weather shield: ø 239 mm (9.4 in)

Without weather shield: ø 192 mm (7.6 in)

Weight

4 332 g (9.55 lb)

Included accessories

Installation guide, Windows® decoder 1-user license, IP66-rated network connector, repaint template, paint paper

Optional accessories

AXIS TQ6808-E Hard-Coated Clear Dome
AXIS TQ6815-E Hard-Coated Smoked Dome
AXIS TU8003 90 W Connectivity Midspan
AXIS T91/T94 Mounting Accessories
AXIS Surveillance Cards
For more accessories, see axis.com

Video management software

AXIS Companion, AXIS Camera Station, video management software from Axis Application Development Partners available at axis.com/vms

Languages

English, German, French, Spanish, Italian, Russian, Simplified Chinese, Japanese, Korean, Portuguese, Polish, Traditional Chinese, Dutch, Czech, Swedish, Finnish, Turkish, Thai, Vietnamese

Warranty

5-year warranty, see axis.com/warranty

Sustainability

Substance control

PVC free, BFR/CFR free in accordance with JEDEC/ECA Standard JS709
RoHS in accordance with EU RoHS Directive 2011/65/EU and 2015/863, and standard EN IEC 63000:2018
REACH in accordance with (EC) No 1907/2006. For SCIP UUID, see echa.europa.eu

Materials

Renewable carbon-based plastic content: 23% (recycled: 18%, bio-based: 5%, carbon capture based: 0%)
Screened for conflict minerals in accordance with OECD guidelines
To read more about sustainability at Axis, go to axis.com/about-axis/sustainability

Environmental responsibility

axis.com/environmental-responsibility

Axis Communications is a signatory of the UN Global Compact, read more at unglobalcompact.org

Power-optimized performance

Pan/Tilt/Zoom

Pan with 30 W midspan: 360° endless, 0.05°– 150°/s
Tilt with 30 W midspan: +20 to -90°, 0.05°– 150°/s

Power

PoE, IEEE 802.3bt Class 6
Low power profile: typical 13 W (no IR), max 29 W (with IR: 39 W)
PoE, IEEE 802.3at Class 4
Full power profile: typical 13 W (no IR), max 25 W
Low power profile: typical 13 W (no IR), max 20 W (with IR: 23 W)

IR illumination

Range of reach with 30 W midspan: 190 m (623 ft) or more depending on the scene

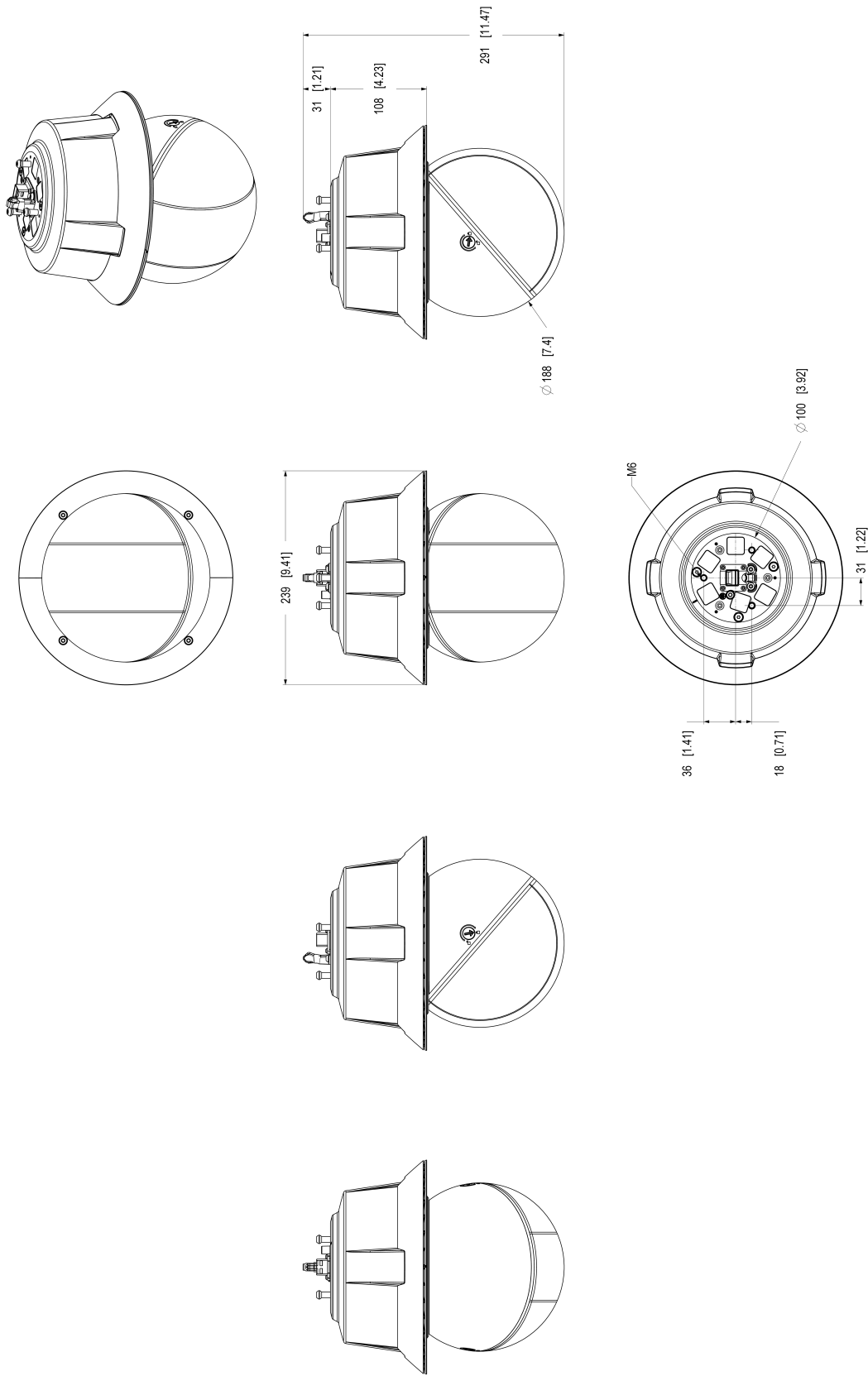
Operating conditions

Full power profile with 30 W midspan: -30 °C to 55 °C (-22 °F to 131 °F)
Low power profile with 60 W and 30 W midspan: -10 °C to 55 °C (14 °F to 131 °F)

Detect, Observe, Recognize, Identify (DORI)

	DORI definition	Distance (wide)	Distance (tele)
Detect	25 px/m (8 px/ft)	65.8 m (216 ft)	1749.3 m (5737.7 ft)
Observe	63 px/m (19 px/ft)	26.1 m (85.6 ft)	693.7 m (2275 ft)
Recognize	125 px/m (38 px/ft)	13.2 m (43.3 ft)	349.2 m (1145 ft)
Identify	250 px/m (76 px/ft)	6.6 m (21.6 ft)	174.2 m (571.4 ft)

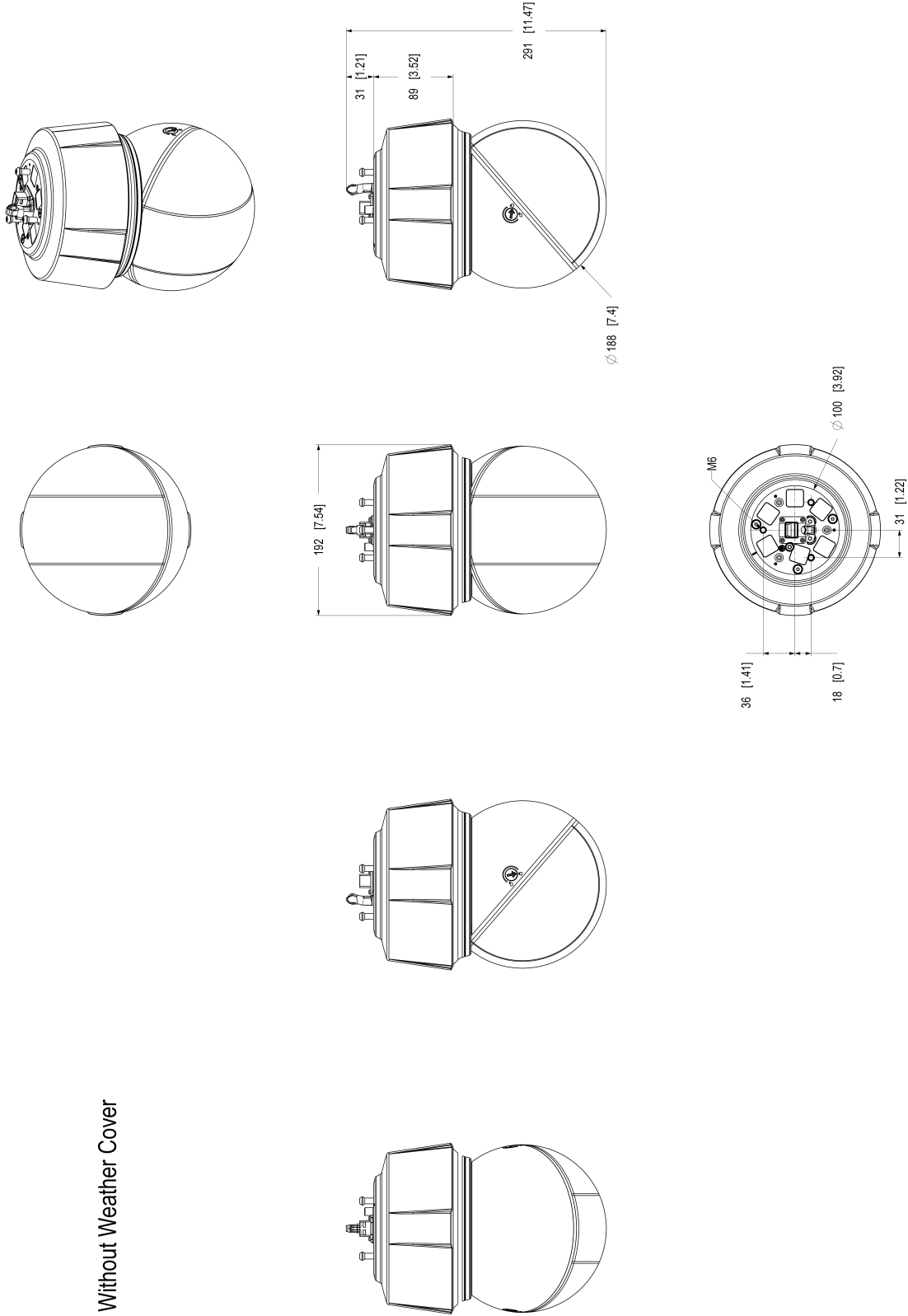
The DORI values are calculated using pixel densities for different use cases as recommended by the EN-62676-4 standard. The calculations use the center of the image as the reference point and consider lens distortion. The possibility to recognize or identify a person or object depends on factors such as object motion, video compression, lighting conditions, and camera focus. Use margins when planning. The pixel density varies across the image, and the calculated values can differ from the distances in the real world.



Dimensions in mm (inch)	
2022 Dec-15	M1.2
149885	A1
	(D)

AXIS Q6325-LE PTZ Camera

Without Weather Cover



Dimensions (mm [inch])	
2025 Dec 15	M7.2 [1.2]
1948895	A1 [30]

AXIS Q6325-LE PTZ Camera

