

THE NETHERLANDS
(N E D E R L A N D)**COMMUNICATION**Concerning⁽¹⁾:

- ~~approval granted~~
- approval extended
- ~~approval refused~~
- ~~approval withdrawn~~
- ~~production definitely discontinued~~

of a type of tyre for motor vehicles pursuant to Regulation number 54.

Approval number: E4*54R00/23*38010*05

1. Manufacturer's name and address : Shandong Huasheng Rubber Co., Ltd.
Daozhuang Industry Zone, Guangrao County,
Dongying City, Shandong Province 257336,
China (PRC)
2. Tyre type designation⁽²⁾
 - 2.1. Brand name(s)/trademark(s) : HUASHENG or JINXIN or TAITONG or
HONGTU or KAPSEN or XCEED or ORNET or
NAMA or GRANDSTONE or ALPINA or
UNITED or TOYOMOTO or TORYO or
TANZA or HUMSUNG or TERRAKING or
JINJI or DOUBLE ROAD or SATOYA or
NORMAKS or KETER or ADDO INDIA or
FIRELION or MILEWAY or TOLEDO or
CARGOFORCE or ALTAIRE or FULUTONG
or FURUITONG or HABLEAD or
ROADBOSS or TYSONKING or DOLLUP or
ROOGOO or LAZZA or COUGAR TYRES or
ZEETEX or PETROMAX or CRYSTAL or 华盛



- 2.2. Trade description (s)/Commercial name(s) : HS268 or NA02 or GT168 or JS268 or AF18 or KR168 or LX-A86 or UF268 or ZH802 or RM268 or UT652 or KT268 or TRANS201 or AVHS222 or OR106 or XD106 or DR801 or SU-022 or NU702 or KTMA1 or HS218 or NA04 or GT118 or JS218 or KR158 or LX-H81 or ZH801 or RM218 or UT650 or KT218 or TRANS220 or TSR68 or AVHS555 or DR802 or HS801Q or RM801Q or ND08 or GT208 or JS801Q or KR159 or LX-R10 or ZH817 or UT751 or TRANS230 or KTOD5 or HS715 or XD517 or OR517 or ND02 or GT257 or JS715 or KR268 or LX-M51 or ZH915 or RM715 or UT655 or HS715K or HS716 or XD617 or OR617 or GT268 or JS716 or KR178 or UF716 or KD716 or LX-R61 or ZH808 or RM716 or UT656 or KTMD6 or HS918 or GT218 or JS918 or KR258 or LX-R81 or ZH916 or RM918 or UT850 or ND918 or KTMD1 or HS258 or KTHS4 or MH5200SUPER or FOREST MS2 or OR306XL or OR206 or XD206 or XD106ECO or RG268 or LZ301 or TSR62 or HS259 or HS725 or ROADGRIP 999 or DR806 or DR804 or DR803 or DR811 or DR805 or DR848 or DR849 or HS735+ or DR850 or HS755+ or DR840 or HS938+ or DR846 or HS958+ or DR852 or HS968+ or M501 or M502 or M506 or M504 or M503 or M511 or M505 or M548 or M549 or M550 or M540 or M546 or M552 or DR308 or DR358 or DR526 or DR530 or CAC880 or CDM991 or CDC982 or AP220 or AP225 or AD663 or AM917 or CAC883 or AM910 or AS125 or AS105 or AM912 or AD672 or CGR888 or ZOH14 vfm or ZOM10 vfm or ZOH13 vfm ZDM10 vfm or PT501 or CS716 or PT539 or CS718 or HS168
3. If applicable, name and address of the manufacturer's representative : Not applicable
4. Summarized description:
- 4.1. Size of tyre : 11.00R20
- 4.2. Category of use : normal/~~snow~~/special⁽¹⁾
- 4.3. Structure : ~~diagonal (bias ply)~~/radial⁽¹⁾
- 4.4. Tyre class : ~~E2~~/C3⁽¹⁾
- 4.5. Speed category symbol
- 4.5.1. nominal : K
- 4.5.2. additional (if applicable) : Not applicable



Approval number: E4*54R00/23*38010*05

- 4.6. Load-capacity indices:
- 4.6.1. Corresponding to nominal speed:
- single : 152
 - twinned (dual) : 149
- 4.6.2. Corresponding to additional speed:
- single : ---
 - twinned (dual) : ---
5. Technical service and, where applicable, test laboratory approved for purposes of approval or of verification of conformity : TÜV SÜD Auto Service GmbH
Westendstraße 199
D-80686 München
6. Date of report issued by that service : 2020-07-01;
2020-10-22;
2021-04-02
7. Number of report issued by that service : 86-R54-2485/20-00;
20-01836-CX-SHA-00;
20-01836-CX-SHA-01
8. Reason(s) for extension (if applicable) : Additional trade mark and tread pattern;
Additional construction variant
9. Any remarks : ---
10. Place : Zoetermeer
11. Date : 19 April 2021
12. Signature :
- The image shows a blue ink signature of I.M.A. Soekroella over a circular official stamp. The stamp features a coat of arms with a crown on top and the letters 'RDW' at the bottom.
13. Annexed to this communication is a list of documents in the approval file deposited at the administrative service having delivered the approval and which can be obtained upon request.
- Application form relating to ECE approval for a pneumatic tyre pursuant to Regulation number 54.
 - The drawing of the tyre's sidewalls, tread and dimensioned cross-section.
 - The test report as mentioned in item 7.

⁽¹⁾ Strike out what does not apply.

⁽²⁾ A list of brand name(s)/trademark(s) or Trade description(s)/ Commercial name(s) may be annexed to this communication.

**APPLICATION FOR EXTENSION APPROVAL OF A TYPE OF PNEUMATIC TYRE
ACCORDING TO ECE REGULATION No.54, 00 SERIES OF AMENDMENTS**

1. Manufacturer's name and address : Shandong Huasheng Rubber Co., Ltd.
Daozhuang Industry Zone, Guangrao County,
Dongying City, Shandong Province 257336,
China (PRC)
2. Tyre type designation:
- 2.1. Brand name(s)/trademark(s) :
- HUASHENG; JINXIN; TAITONG; HONGTU; KA
PSEN; XCEED; ORNET; NAMA; GRANDSTONE
; ALPINA; UNITED; TOYOMOTO; TORYO; TAN
ZA; HUMSUNG; TERRAKING; JINJI; DOUBLE
ROAD; SATOYA; NORMAKS; KETER;
ADDO INDIA; FIRELION; MILEWAY;
TOLEDO; CARGOFORCE; ALTAIRE; FULUTON
G; FURUITONG; HABLEAD; ROADBOSS; TYS
ONKING; DOLLUP; ROOGOO; LAZZA; COUGA
R TYRES; ZEETEX; PETROMAX; CRYSTAL;
华盛
- 2.2. Trade description (s)/Commercial name(s) : HS268; NA02; GT168; JS268; AF18; KR168; LX-
A86; UF268; ZH802; RM268; UT652; KT268; TRA
NS201; AVHS222; OR106; XD106; DR801; SU-
022; NU702; KTMA1; HS218; NA04; GT118;
JS218; KR158; LX-H81; ZH801; RM218;
UT650; KT218; TRANS220; TSR68; AVHS555; DR
802; HS801Q; RM801Q; ND08; GT208; JS801Q; K
R159; LX-R10; ZH817; UT751; TRANS230;
KTOD5; HS715; XD517; OR517; ND02; GT257; JS7
15; KR268; LX-M51; ZH915; RM715; UT655;
HS715K; HS716; XD617; OR617; GT268; JS716; KR
178; UF716; KD716; LX-R61; ZH808; RM716;
UT656; KTMD6; HS918; GT218; JS918; KR258;
LX-R81; ZH916; RM918; UT850;
ND918; KTMD1; HS258; KTHS4; MH5200SUPER;
FOREST MS2; OR306XL; OR206;
XD206; XD106ECO; RG268; LZ301; TSR62; HS259
; HS725; ROADGRIP
999; DR806; DR804; DR803; DR811; DR805; DR84
8; DR849; HS735+; DR850; HS755+; DR840; HS93
8+; DR846; HS958+; DR852; HS968+; M501; M502

;M506;M504;M503;M511;M505;M548;M549;M550;M540;M546;M552;DR308;DR358;DR526;DR530;CAC880;CDM991;CDC982;AP220;AP225;AD663;AM917;CAC883;AM910;AS125;AS105;AM912;AD672;CGR888;ZOH14 vfm; ZOM10 vfm; ZOH13 vfm ZDM10 vfm;PT501;CS716;PT539;CS718; HS168

3. If applicable, name and address of manufacturer's representative : Not applicable
4. Summarized description:
- 4.1. Size of tyre : 11.00R20
- 4.2. Category of use : Normal/~~snow/special~~
- 4.2.1. For the tyre belonging to the category of use "special use tyre" those which bears the inscription M+S or M.S or M&S. : Not applicable
- 4.2.2. For special use tyre
- Professional Off-Road : ~~Yes/no~~
- Tread depth : Not applicable
- Void to fill ratio : Not applicable
- 4.3. Structure : ~~Diagonal (bias ply)~~/radial
- 4.4. Tyre class : ~~C2/C3~~
- 4.5. Speed category symbol
- 4.5.1. Nominal : K
- 4.5.2. Additional (if applicable) : Not applicable
- 4.6. Load-capacity indexes
- 4.6.1. Corresponding to nominal speed : Single 152 Twinned (dual) 149
- 4.6.2. Corresponding to additional speed : Single --- Twinned (dual) ---
5. The overall physically measured dimensions : Annex 5/~~Calculated~~
- Overall section width : 291;288
- Outer diameter : 1086;1084
6. Factor "X" : Not applicable
7. Rims on which the tyre can be mounted : 8.0
8. Measuring rim and test rim : See attached test report
9. State whether the tyre is : ~~Tubeless~~/tube type
10. Traction tyre : ~~Yes~~/no (see the tread pattern detail in drawing)
11. The inflation pressure for the dimension measurement and for the load/speed endurance test pressure : See attached test report

12. The tire side wall and tread pattern's

Drawing No.

13. Extension reasons

14. Date of the information document

:

: Additional trade mark and tread pattern

Additional construction variant

: 2021-03-29

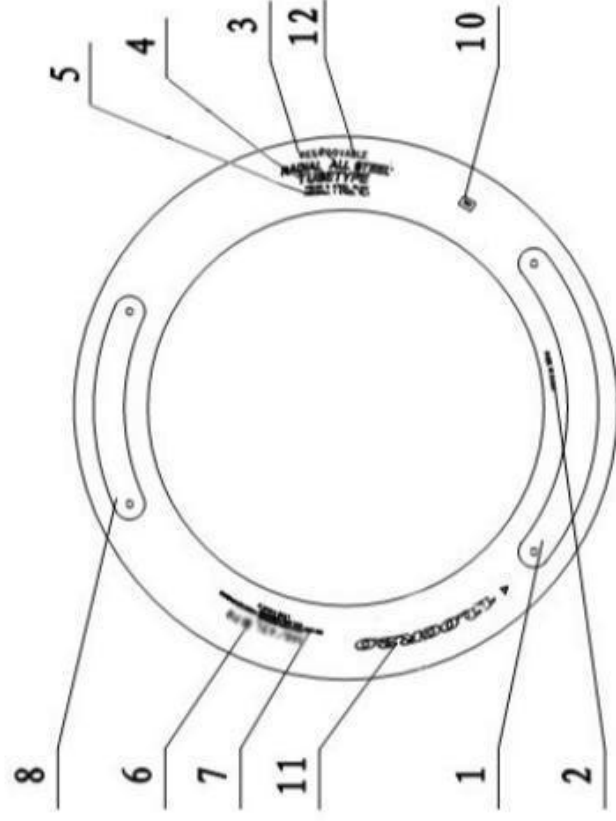
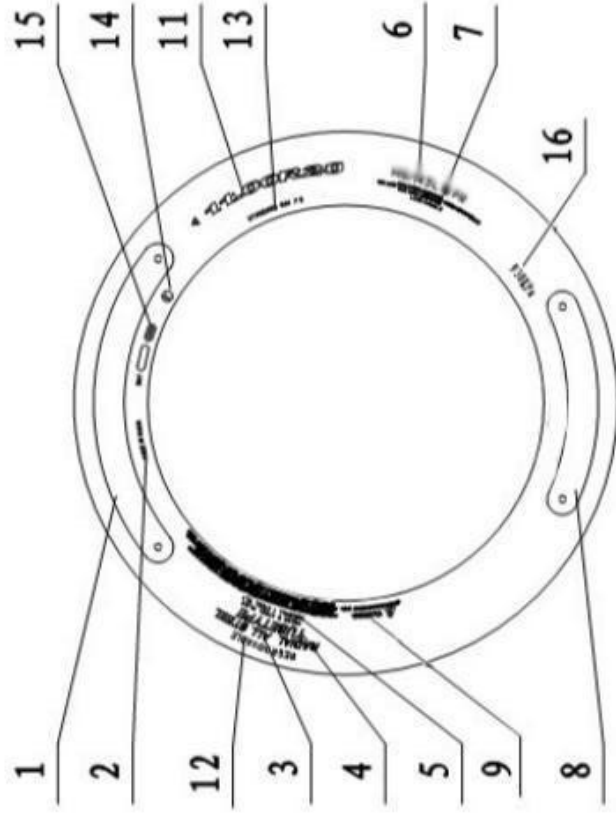
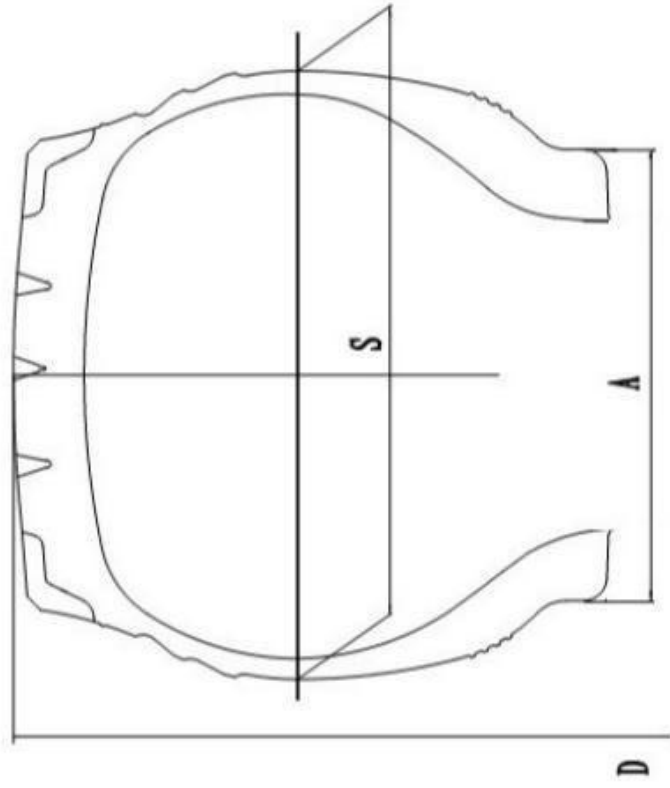
MANUFACTURER'S STAMP



SIGNATURE

A handwritten signature in red ink, appearing to read '高晓军' (Gao Xiaojun).

NAME: GAO XIAOJUN

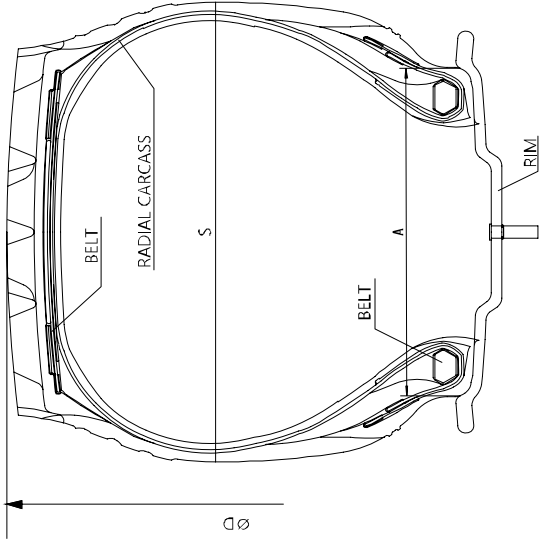


TREAD PATTERN
REFER TO ATTACHMENT No. 1

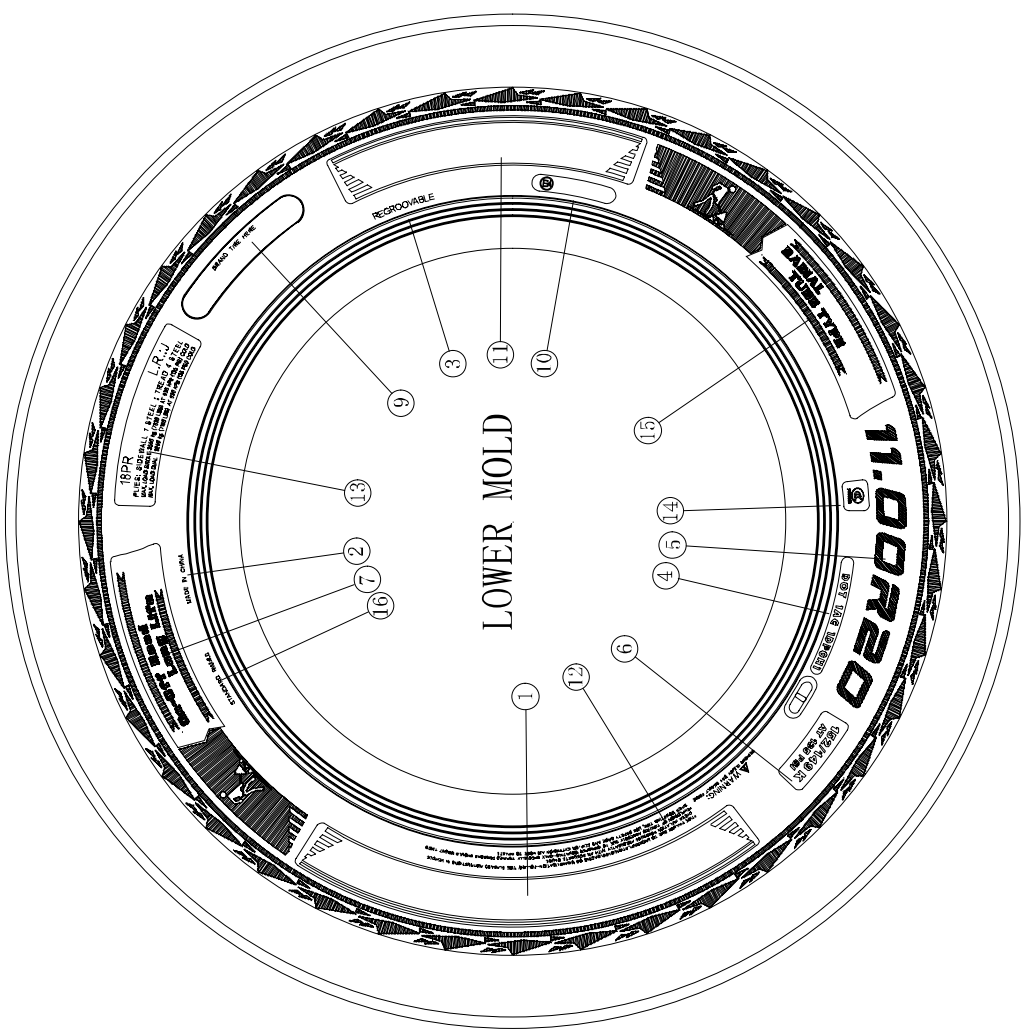
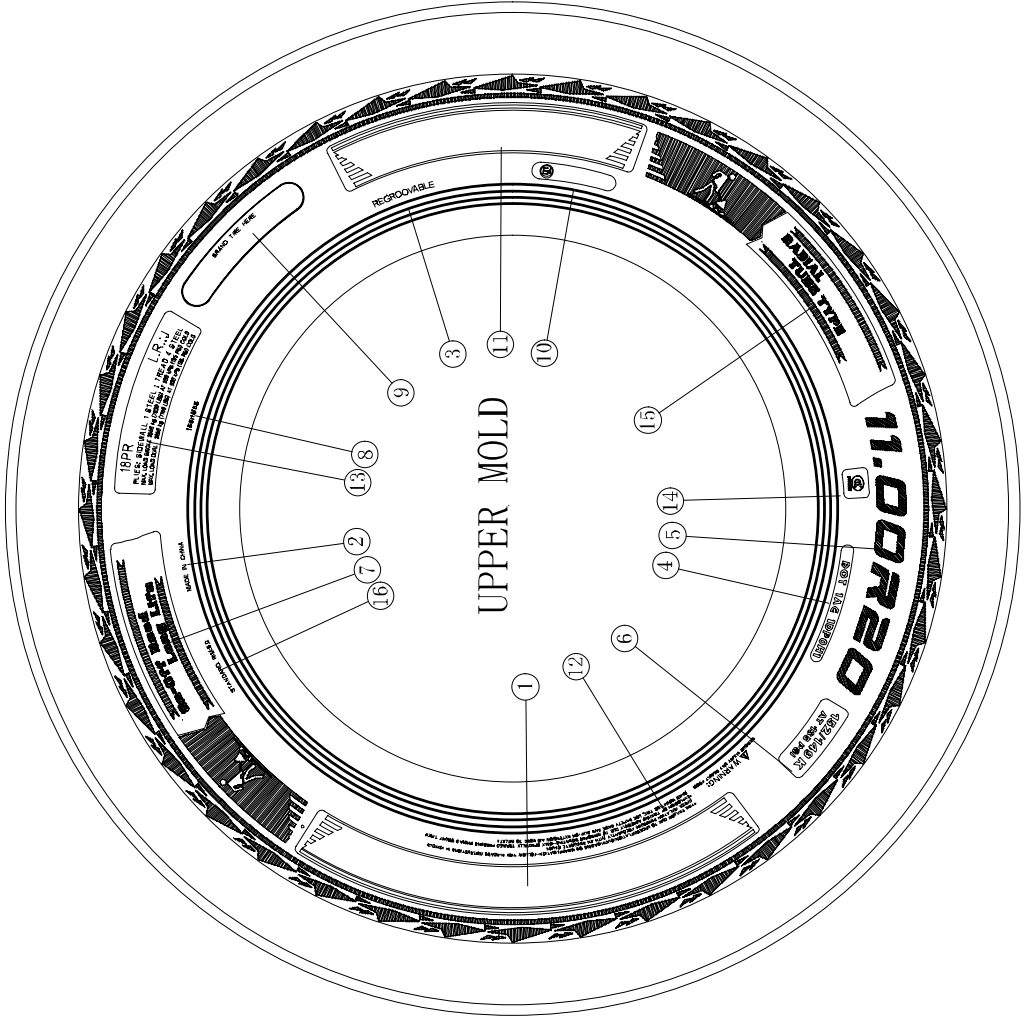


16	930KPa								
15	DATE CODE XXXX								
14	(E4) XXXXXX								
13	STANDARD RIM 8.0								
12	REGROOVABLE								
11	11.00R20								
10	*CCC*								
9	SAFETE WARNING								
8	TREAD PATTERN REFER TO ATTACHMENT No.1								
7	MAX LOAD SINGLE 7830 LBS (3550KG) DUAL 7170 LBS (3250KG) AT 135 PSI (930KPa) COLD LOAD RANGEJ								
6	152/149 K 18PR								
5	TREAD 5 STEEL PLYS SIDEWALL 1 STEEL PLY								
4	TUBETYPE								
3	RADIAL ALL STEEL								
2	MADE IN CHINA								
1	TRADEMARK REFER TO ATTACHMENT No.1								
	11.00R20	152/149 K	TUBETYPE	1082	286	203.2	15.0		
	TIRE SIZE	LOAD INDEX	TYPE	D (mm)	S (mm)	A (mm)	SKID DEPTH (mm)		

DRAWN BY	Zhang Yueguang	CHECKED BY	Wang Haizhen	APPROVED BY	Liu Zhiping	SHANDONG HUASHENG RUBBER CO., LTD
----------	----------------	------------	--------------	-------------	-------------	-----------------------------------



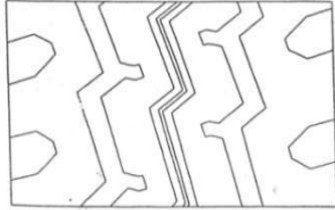
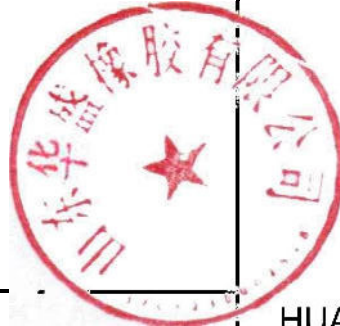
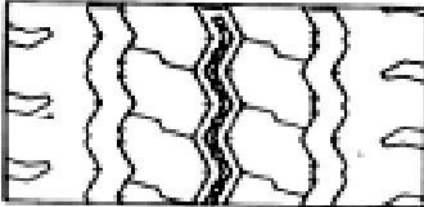
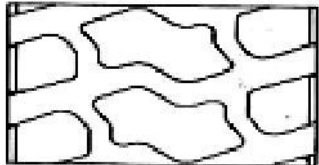
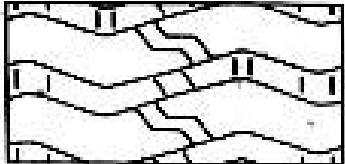
TREAD PATTERN
REFER TO
ATTACHMENT NO. 1



10	E4 XXXXXX			
9	BRAND TIRE HERE.			
8	XXXXXX (MOLD UNMBER ONLY UPPER MOLD)			
7	On-Off Road Long Life			
6	152/149 K AT 135 PSI			
5	11.00R20			
4	DOT XXX XXXXXX XXXX (DATE CODE ONLY LOWER MOLD)			
3	REGROOVABLE			
2	MADE IN CHINA			
1	TREAD MARK (REFER TO ATTACHMENT NO. 1)			
	TIER SIZE	LOAD INDEX		
	11.00R20	152/149		
		SPEED SYMBO.		
		K		
		VTPE		
		TUBE TYPE		
		K		
	D (mm)	S (mm)	A (mm)	DATE
	1082	286	203.2	2021.03.26

DRAWN BY	WangBinBin	CHECKED BY	WangFangFang	APPROVED BY	WangYeJing	
						SHANDONE HUASHENG RUBBER CO., LTD

ATTACHMENT NO.1

TREAD PATTERN	TYRE SIZE:11.00R20 152/149K	APPROVAL NO. :E4-54R-0038010
	TRADE MARK	TREAD PATTERN NAME
		HS268;NA02;GT168;JS268;AF18;KR168;LX-A86; UF268;ZH802;RM268;UT652;KT268;TRANS201; AVHS222;OR106;XD106;DR801;SU-022;NU702; KTMA1;ROADGRIP 999;M501;DR308;CAC880; AP220;MH5200SUPER;FOREST MS2;OR306XL; OR206;XD206;XD106ECO;RG268;LZ301;CGR888; ZOM10 vfm;PT501;CS716
	HUASHENG;JINXIN;TAITONG;HONGTU; KAPSEN;XCEED;ORNET;NAMA; GRANDSTONE;ALPINA;UNITED; TOYOMOTO;TORYO;TANZA; HUMSUNG;TERRAKING;JINJI; DOUBLE ROAD;SATOYA;NORMAKS; KETER;ADDO INDIA;FIRELION;MILEWAY; TOLEDO;CARGOFORCE;ALTAIRE; FULUTONG;FURUITONG;HABILEAD; ROADBOSS;TYSONKING;DOLLUP; ROOGOO;LAZZA;COUGAR TYRES;ZEETEX;PETROMAX;CRYSTAL	HS218;NA04;GT118;JS218;KR158;LX-H81;ZH801; RM218;UT650;KT218;TRANS220;TSR68;AVHS555; DR802;M502;AP225;CAC883;ZOH14 vfm;CS718
		HS801Q;RM801Q;ND08;GT208;JS801Q;KR159; LX-R10;ZH817;UT751;TRANS230;KTOD5;DR806; M506;DR530;CDM991;AM917;PT539
		HS715;XD517;OR517;ND02;GT257;JS715;KR268; LX-M51;ZH915;RM715;UT655;HS715K;DR805;M505; AM910