

## ENT CHAIR MOD. XENON EVO 5 Motors



ENT chair equipped with 4 linear motors operating independently the seat (up to **flat and Trendelenburg** position), the backrest, the UP/DOWN movement and the single leg-rest plus a 5<sup>th</sup> motor to unlock/lock rotation.

XENON EVO is characterized by a **Telescopic Column** granting a vertical lifting (**motorized lifting mechanism**) with a wider excursion between the minimum and maximum position, making the chair the best choice for examination both on adults and on children patients, always ensuring an easy access to patients.

**The adjustment of seat height is 35 cm, within a range of 54cm to max 89 cm height so that no additional seat accessories are needed for examining children.**

The maximum stability is always granted thanks to the **360° rotation** (manual) at the base level, lockable/unlockable through a dedicated button on the foot pedal that, activating an Electronic Signal, grants an easy and quick rotation, avoiding interruption during the normal working procedures of the Doctors. **Pre settled backrest position at +3°** to facilitate ENT examination.

**Control of all motorized chair's movements by WIRED foot-control (wireless optional).** All the desired positions can be quickly reached thanks to a multi-functional foot control with possibility to set 2 memories (at customer's choice) along with M0 button to recall entry/exit position.

**Comfortable thick foam padding** available in many different colors and upholstered single leg-rest, provided with folded foot-rest with reduced dimensions (14 cm) and equipped with "over-load" safety system. Stainless steel kick plate.

**Articulated head-rest mechanism (20 cm excursion – adjustable head rest)** to adjust head support in all dimensions (vertical and inclination) for a perfect adaptability to the patient's morphology.

**Armrests** of the chair are comfortably padded and these can be folded back for enabling easy sitting of overweight or handicapped patients. **Safe working load: 300 kg.**

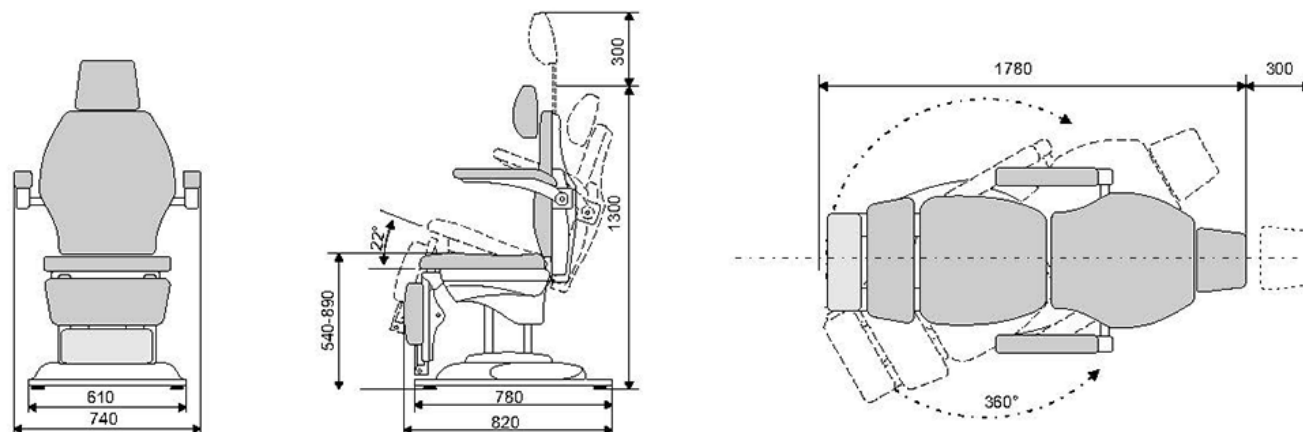
### MEDI-CARE SOLUTIONS S.R.L

SEDE LEGALE: Via Della Zecca 1-40121 Bologna (BO) Italy SEDE OPERATIVA: Via Pietro Nenni nr. 3 40026 Imola (BO) Italy TEL. ++39 0542 - 642046 - FAX ++39 0542 642355 - WEBSITE: [www.euroclinic.it](http://www.euroclinic.it) - E-MAIL: [info@euroclinic.it](mailto:info@euroclinic.it)

Capitale Sociale: € 50.000,00 i.v. - Iscrizione N° 03390661209 al Registro Imprese Bologna - P.I. e C.F. 03390661209 - R.E.A. N° 515493 - VAT 03390661209

Azienda con Sistema di qualità certificato UNI EN ISO 9001:2008 and UNI EN ISO 13485:2012  
Company with Quality System Certificate UNI EN ISO 9001:2008 and UNI EN ISO 13485:2012

## Data sheet Xenon EVO



### Technical details

NAME	VALUE
Power supply tension	230 VAC - 50/60 Hz
Low tension motor	24 Vdc
Lifting motor (column) push	4000 N
Backrest motor push	6000 N
Seat motor push	6000 N
Rotation break motor	250 N
Lifting Capacity	300 Kg
Absorbed power	200 VA
Chair weight	120 Kg

### MEDI-CARE SOLUTIONS S.R.L

Via Pietro Nenni, 3 - 40026 Imola (BO) - Italy  
 Capitale sociale: 50.000,00 Rea: BO-515493  
 Partiva Iva e CF: 03390661209  
 Pec: medicaresolutions@legalmail.it