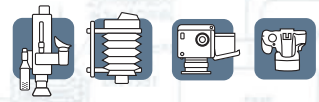


Kaiser rePRO



KAISER[®]
FOTOTECHNIK

The System for Highest

Professional Requirements

When you need a maximum in stability, solidity and load capacity, the Kaiser rePRO system is the right choice.

This system is not only at home in photo and video studios, but also in technology, forensics and science, education, research and media production. Because of its extremely high level of stability the rePRO system is especially suitable to capture large format reflective or transparent originals.

This modular-designed stand is available in several versions: with a table with fixed working height, with a motorized height-adjustable table and without a table.

According to the job, the table with fixed working height can be equipped with a large base plate or with a trans-illuminator for translucent originals.

Height adjustment of camera level is motorized and works individually along the entire column via remote control. The camera platform can travel up and down at two speeds, regardless of the supported load.

The version with height-adjustable table has a motorized table and a motorized camera carrier that can be moved along the complete height of the column. This offers enormous flexibility with respect to shooting distance and possible working positions. The version without a table provides for a different sort of flexibility, because it can be combined with various existing working planes.

For precise positioning of the optical axis of the camera, the camera carrier can be shifted horizontally and, in addition, can be tilted by +/- 90 degrees.

The column, made of a multi-section special extrusion, is mounted to a firmly attached die-cast base and is extremely sturdy and vibration-resistant.

These professional work stations - equipped with a suitable camera system of your choice - offer optimum conditions for sophisticated image capturing tasks.



Made in
Germany

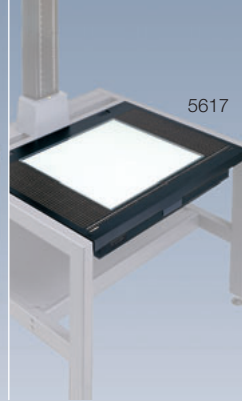
15
KAISER
FOTOTECHNIK



5615



5616



5617

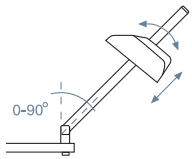
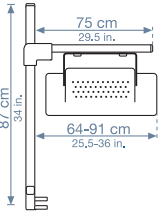
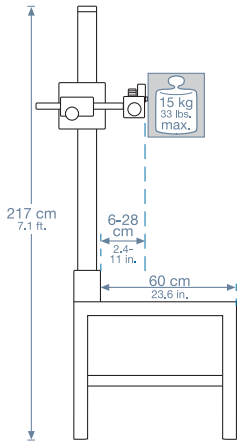


5656/5657

5612

Table Frame

Height without base (WxHxD):
88 x 66 x 78 cm /
34.6 x 26 x 30.7 in.
Required floor space (WxD): 88 x 104 cm /
34.6 x 41 in.
Steel tube construction, demountable
Base for column made from die-cast aluminum, with integrated spirit level
Feet can be height-adjusted individually
Stacking tray:
79.5 x 49 cm /
31.3 x 19.3 in.



Base Board

To be inserted in the table frame 5615
Dimensions (WxD):
80 x 60 cm /
31.5 x 23.6 in.
Thickness:
38 mm / 1.5 in.
Specification: High-compressed wooden material, all-side plastic-laminated, printed grid and cm/inch scales
Includes slide-in carrier for control box of optional lighting unit

Trans-Illuminator

To be inserted in the table frame 5615
Working area (cm/in.):
80 x 60 / 31.5 x 23.6
Illuminated area (cm/in.):
48 x 43 / 18.9 x 16.9
Glass plate
Lamps: 4 x 55 W compact fluorescent lamps
Color temperature:
5400 K, CRI = 90-100
Average service life:
8,000 hours
Continuously dimmable
Fan cooling, no thermal load on originals.
Luminance: 6,700 cd/m²
Uniformity: 85%
High-frequency operation
Replacement lamp(s):
2414 (1 piece)
2487 (4 pieces)

RSP Column

Height: 1.5 m / 4.9 ft.
Cross-section (WxD):
12 x 8 cm / 4.7 x 3.1 in.
Material: black anodized aluminum
Printed cm/inch scales
Camera carrier
Max. load:
approx. 15 kg / 33 lbs.
Height adjustment:
motorized, two speeds
Adjustment speed:
constant, independent of load
Drive: via worm-gear, self-limiting for precise height position
Operation: cable remote control
End switch: automatic, by magnetic sensor
Horizontal adjustment:
parallel guides with friction drive, hand cranks and locking screws on left and right side
Build-in spirit level

Camera mounting plate

Tilttable +/- 90°
Size: 13 x 13 cm /
5.1 x 5.1 in.
Mounting thread:
1/4" / 3/8" exchangeable, horizontally adjustable

RB 5056 HF Lighting Unit (5656)

Light banks with
64 x 21 cm /
25.2 x 8.3 in.
light emitting area
High-gloss inside reflector
Lamps: each bank with 2 x 55 W daylight fluorescent lamps
Color temperature
5400 K, CRI = 90-100
High-frequency operation, 40 kHz
Separate control box
Lights can be tilted and shifted
Horizontal lamp arms can be adjusted continuously in height
Vertical lamp arms with height markings, tilttable with detents
25 mm / 1 in.
edge dimension
Mount with strong die-cast clamp bases, clamp width: 15 to 55 mm / 0.6 to 2.1 in.
Replacement lamp:
3454 (1 piece)
RB 5056 HF Lighting Unit (5657)
Same as 5656, but additionally continuously dimmable

Wall Mount

For mounting a 5612, 5708, 5709 column or one of the columns of 5710/5711 to a wall.
Lower part with base, spirit level and compartment for power-supply.
Top section adjustable.
Distance wall - column:
approx. 35 cm / 13.8 in.
Screws and dowels included.

Close-Up-Adapter

Bracket to reduce the minimum camera-to-base board distance.
Mounts on the camera carrier.

rePRO-Adapter

For use of R1 system camera arms.

Diffusion Screens

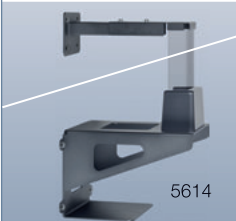
Slides in filter holder 5592.
2 pieces.

Polarizers

Slides in filter holder 5592.
2 pieces.

Filter Holder

Guide rails for attaching to the light banks of RB 5056 HF (5656, 5657).
2 pairs.
Code no. 5592



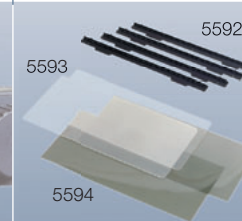
5614



5627



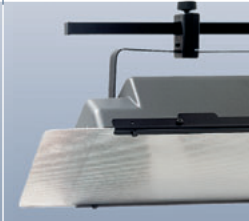
4421



5593

5594

5592



System Components + Accessories

	RSP 2motion	RSP Xtra
Code number	5710	5711
STAND	Consists of column, foot, camera carrier a. base board	Consists of column, foot and camera carrier
Column	Multi-section aluminium, matt black anodised, printed cm and inch scales	
■ Height	216 cm / 85 in.	216 cm / 85 in.
■ Cross section	120x80mm/4.7x3.1 in.	120x80mm/4.7x3.1 in.
■ Height adjustment camera carrier		
Motorized	●	●
Cable remote control	●	●
Two travel speeds, steady and independent of load	●	●
Automatic end switch	●	●
Anti-collision device	●	●
■ Height-adjustable base plate		
Motorized	●	—
Cable remote control	●	—
Two travel speeds, steady and independent of load	●	—
Automatic end switch	●	—
Anti-collision device	●	—
Max. working span	160 cm / 63 in.	—
Camera Carrier	Aluminium die-cast	
■ Horizontally adjustable	●	●
■ Parallel guides	●	●
■ Right-/left-hand operation	●	●
■ Position lockable	●	●
■ Camera mounting plate tiltable	●	●
■ Camera mounting plate	13x13 cm / 5.1x5.1 in.	13x13 cm / 5.1x5.1 in.
■ Camera mount	3/8" / 1/4", changeable	3/8" / 1/4", changeable
■ Spirit level	●	●
Base Board	4 mm aluminium with stabilizing substructure	(To be used with copy table 5712, table 5630 or existing tables)
■ Dimensions	100x80cm/4.2x3.1 in.	—
Column foot	Double strutted steel tube	
■ Die-cast column socket	●	●
■ Height-adjustable feet	●	●
■ Required floor space (WxD)	100 x 126 cm / 39.4 x 49.6 in.	83 x 114 cm / 32.7 x 44.9 in.



Made in Germany

RSP 2motion and RSP Xtra Columns

For wall fastening with wall mount 5614. Same as 5710 or 5711, but without column foot.

5708: RSP 2motion column, incl. camera carrier and base board

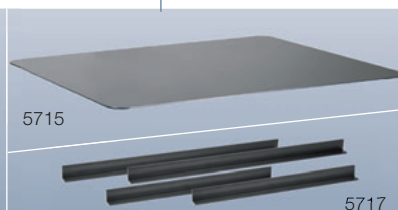
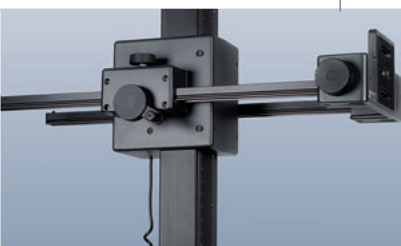
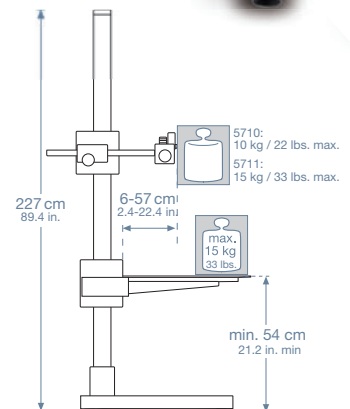
5709: RSP Xtra column, incl. camera carrier

Sheet Steel Plate

Fits on top of the RSP 2motion stand base board. For holding originals with magnetic holders (not included). Dimensions: 1290 x 1 x 890 mm (50.8 x 0.04 x 35 in.). Code no. 5715

Magnetic Subject Holders

2 x 294 mm (11.6 in.) and 2 x 375 mm (14.8 in.) long, e.g. for 5715. Code no. 5717



Accessories



Book Cradle 45/30

Table Frame

Table for Copying Works

Code number

5631

5630

5712

- For books with open sizes up to 60 x 45 cm (23.6 x 17.7 in.) and a thickness of 15 cm (5.9 in.)
- Pressure plate made of 6 mm thick float glass
- Antireflection coating on both sides
- Lockable
- Locates automatically in opening position
- Platforms 30x45 cm (11.8x17.7 in.) each
- With foam-padding
- Adjustable space for spines of different sizes
- Height of platforms adjustable
- Automatic pressure control
- Quick pressure release and subsequent resetting with previous pressure
- Fold-out support bracket to hold large-sized books
- Dimensions (WxHxD): 86 x 55.5 x 65 cm (33.9 x 21.9 x 25.6 in.)
- Weight: approx. 57 kg (126 lbs.)

- For 5631 Book Cradle
- Sturdy steel tube construction
- Matt-grey, plastic-laminated base board 86 x 3.2 x 60 cm (33.9 x 1.3 x 23.6 in.)
- Can be equipped with casters or height-adjustable feet
- Also suitable as copy table
- R1 and RD system columns can be mounted via base (optional, 4427 resp. 5625)
- Dimensions (WxD): 92 x 68 cm (36.2 x 26.8 in.)
- Height: 31 cm (12.2 in.) with casters, 25 cm (9.8 in.) with feet

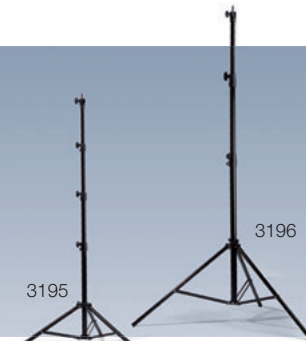
- For RSP Xtra (5711) copy stand
- Sturdy steel tube construction, lower rods with additional track rollers for sliding on the RSP Xtra copy stand base
- Matt-grey, plastic-laminated base board 86 x 3.2 x 60 cm (33.9 x 1.3 x 23.6 in.)
- Four casters (two lockable)
- Dimensions (WxHxD): 92 x 49 x 68 cm (36.2 x 19.3 x 26.8 in.)
- Also suitable as a table for Book Cradle 5631
- R1 and RD system columns can be mounted via base (optional, 4427 resp. 5625)



LED Soft Lights
PL840 Vario **PL360 Vario**



Soft Light
proVision 6.55 HF



Light Stands

Code number

3473

3472

3431

3195 / 3196 / 3420 / 3198

- Lamps
- Color temperature
- Color rendition index
- Illuminating surface
- Barn doors
- Continuously dimmable
- Light tiltable ②
- Mains operation
- Battery operation (optional)
- Weight
- Special feature

840	360	High-CRI-LEDs
3200-5600 K (adjustable) ①		
CRI = 95		
26 x 26 cm	26 x 26 cm	
●	–	
● ①	● ①	
●	●	
●	●	
●	●	
1.73 kg / 3.8 lbs.	1.68 kg / 3.7 lbs.	
Combined control of several lights		

6	
55 W Dulux	
5400 K (3200 K option)	
CRI = 90-100	
51 x 51 cm	
Intensifier barn doors	
● ③	
●	
●	
–	
8.6 kg / 18.9 lbs.	
Cable remote control ③	

3195: "Small" Light Stand, 75 - 230 cm (29.5 - 90.6 in.), 1.65 kg (3.6 lbs.), max. load: 3 kg (6.6 lbs.)
 3196: "Large" Light Stand, 110 - 290 cm (43.3 - 114.2 in.), 2.2 kg (4.9 lbs.), max. load: 10 kg (22 lbs.)
 3420: Studio Stand with 3 rollers, 80 - 122 cm (31.5 - 48 in.), 8 kg (17.6 lbs.), max. load: 25 kg (55 lbs.)
 3198: Studio Stand with 3 rollers, 131 - 217 cm (51.6 - 85.4 in.), 7.6 kg (16.7 lbs.), max. load: 25 kg (55 lbs.)

