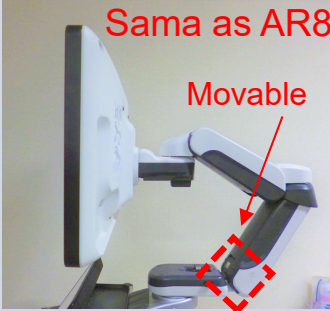
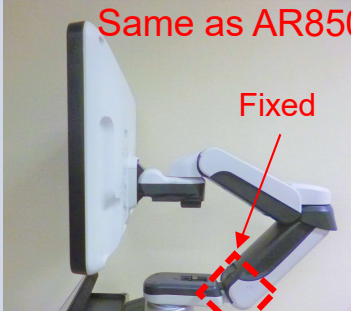

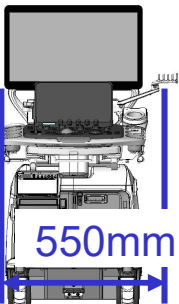





# 4-2. Monitor/Monitor arm

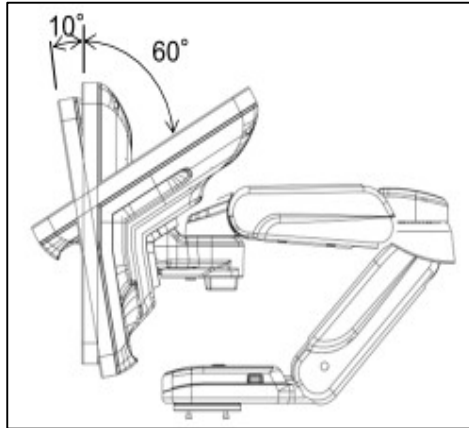
Fujifilm Internal Use Only  
 Disclosed to : Fujifilm Group & Contractual Partner  
 Author/Date : Product Planning Department (22.5.13)  
 Handling :-

Three model series (LE / SE / VE) developed with different monitors

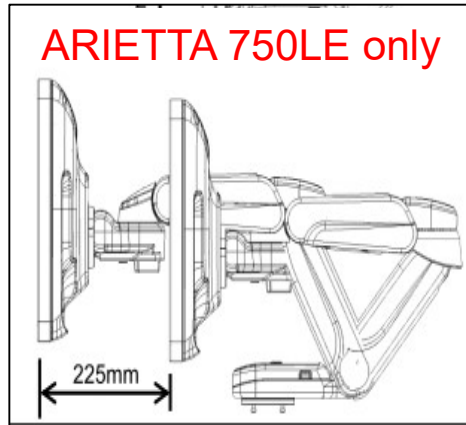
		ARIETTA750 LE	ARIETTA 750 SE	ARIETTA 750 VE
Monitor	Size/Type	22inch/OLED	23inch/LCD	21inchi/LCD
	Resolution	Full HD (1920x1080) / Wide		
	Contrast ratio	250,000	1044	906
	Viewing angle dependency	◎	○	○
Monitor arm	appearance			
Size				

# 4-2. Monitor arm movable range(ARIETTA 750LE/SE)

Fujifilm Internal Use Only  
 Disclosed to : Fujifilm Group & Contractual Partner  
 Author/Date : Product Planning Department (22.5.13)  
 Handling :-

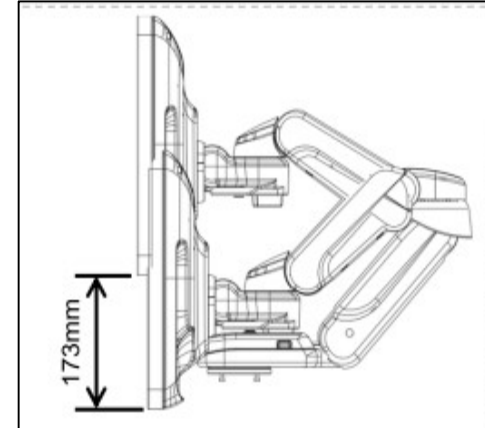


Tilt Forward 10° Backward 60°

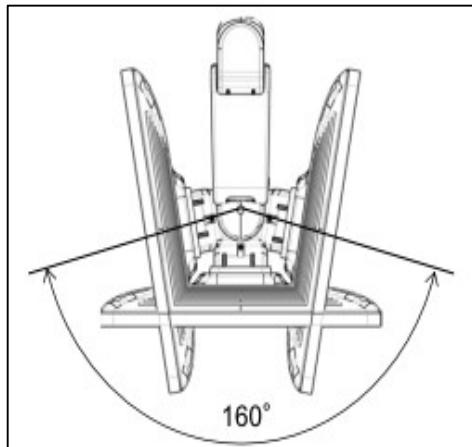


ARIETTA 750LE only  
 Back and forth 225mm

Same movable range as ARIETTA 65  
 ARIETTA 850/850SE



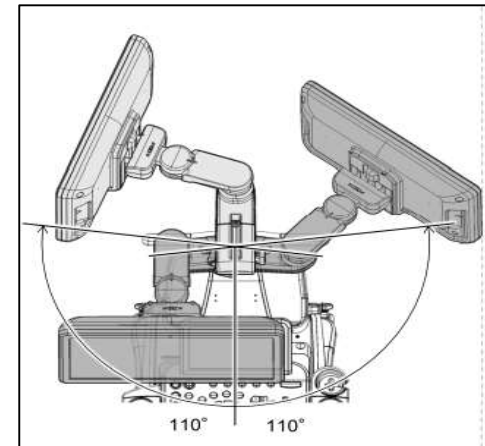
Up and down 173mm



Rotate(monitor) Left and right 80°



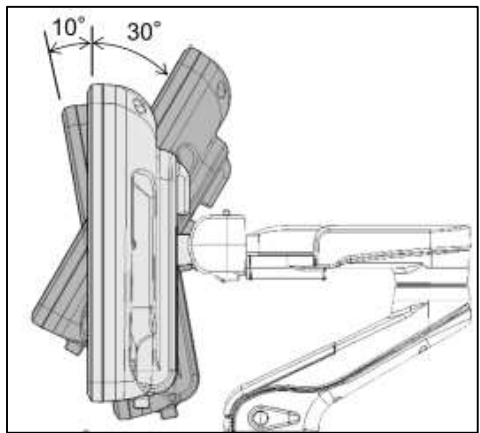
ARIETTA 750LE/SE



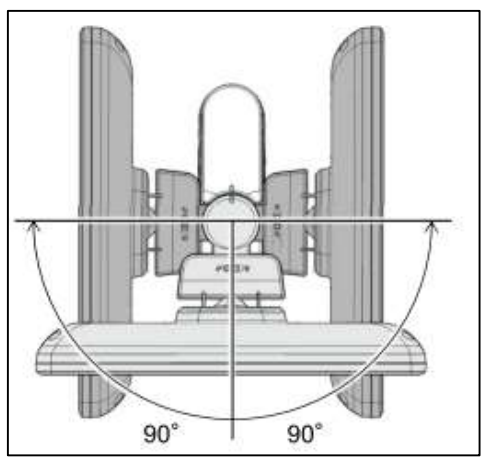
Rotate(arm) Left and Right 110°

# 4-2. Monitor arm movable range(ARIETTA VE) **FUJIFILM**

Fujifilm Internal Use Only  
 Disclosed to : Fujifilm Group & Contractual Partner  
 Author/Date : Product Planning Department (22.5.13)  
 Handling :-



Tilt Forward 10°  
 Backward 30°

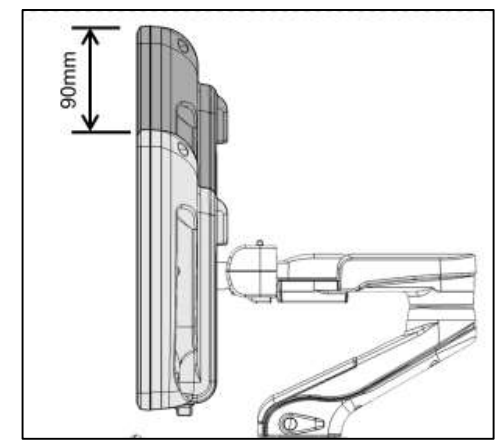


Rotate(monior) Left and Right 90°

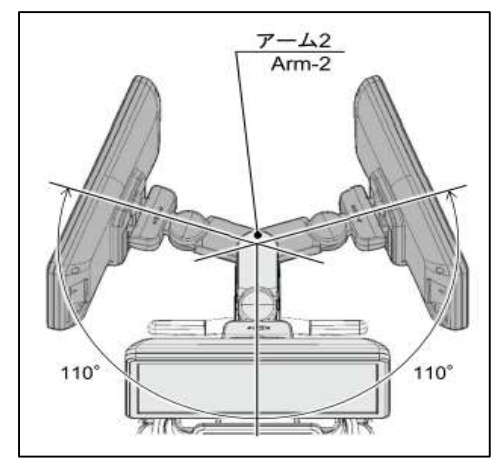


ARIETTA 750VE

Same movable range as ARIETTA 65



Up and Down 90mm



Rotate(arm) Left and Right 110°