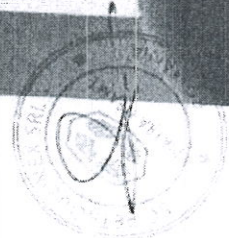
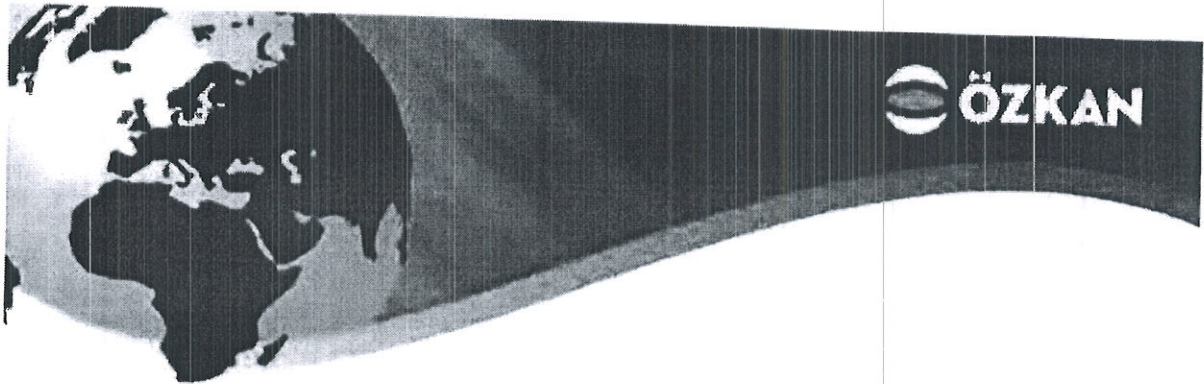


ÖZKAN LEAD WATER TO THE NEXT LEVEL.
member of HAWLE Austria Group

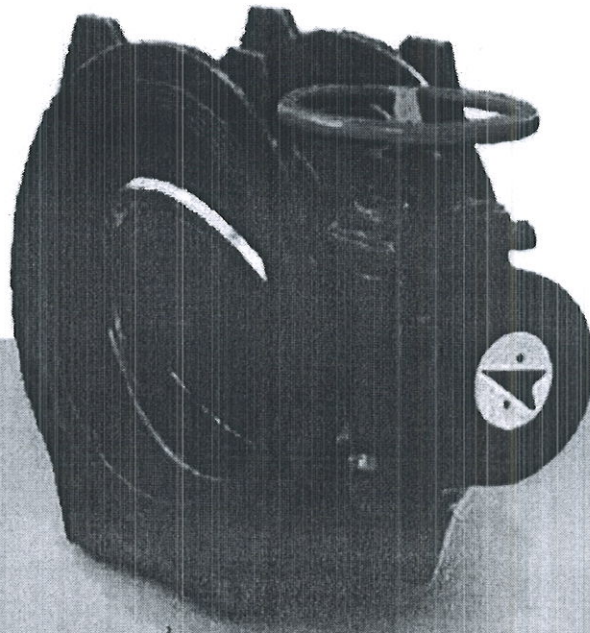


**CONFORM CU
ORIGINALUL**



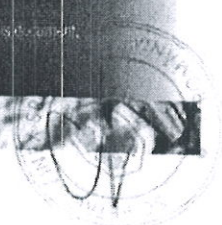


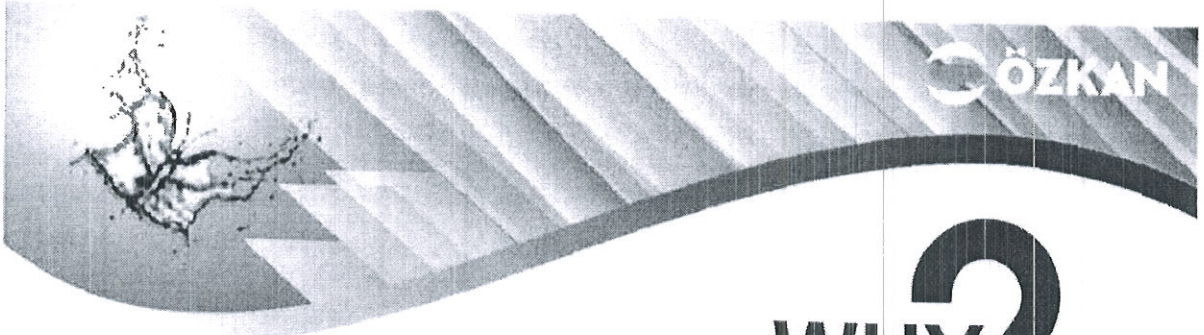
BUTTERFLY VALVES



At ÖZKAN we are a member of the HAWLE Austria Group. All our products are made in Austria. All our products are made in Austria. All our products are made in Austria.

**CONFORM CU
ORIGINALUL**

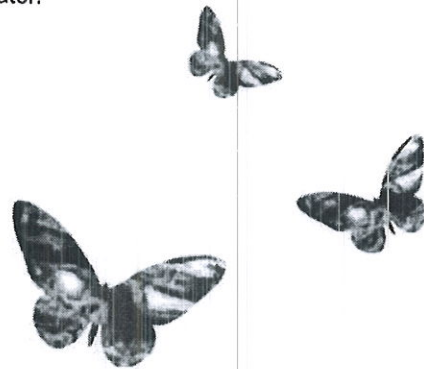
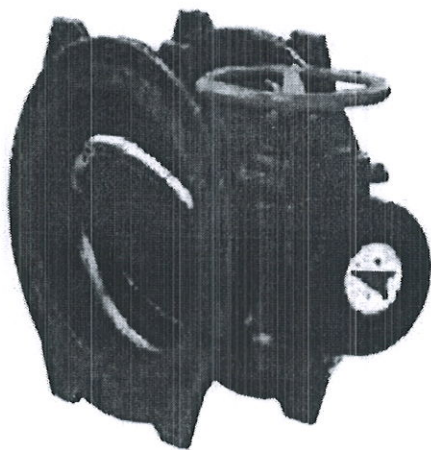




WHY?

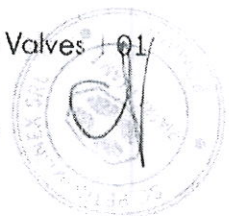
BUTTERFLY VALVES

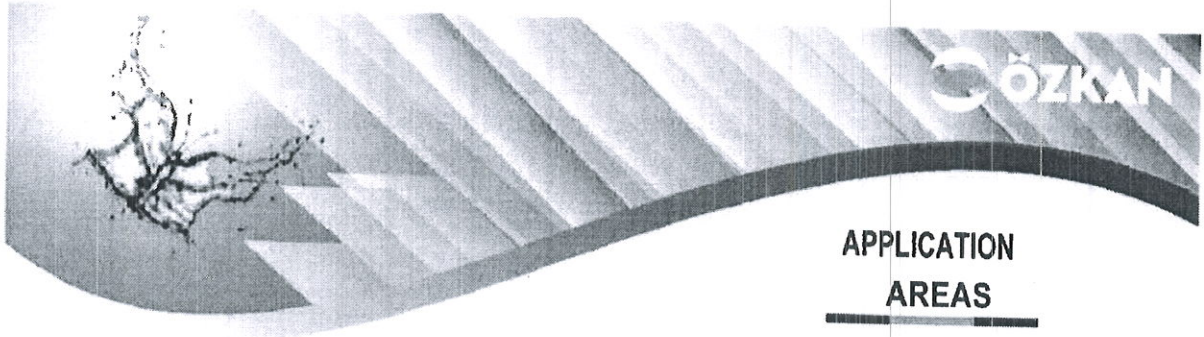
- Variable choice of actuators.
- Bi-directional tightness.
- Drop tight shut-off at rated pressure.
- Suitable for isolation and control service.
- Maintenance free design.
- Low operating torque requirement.
- Easy installation.
- Light weight and smaller volume requirement.
- ÖVGW approval for potable water.



All illustrations, technical data, dimensions (in mm) and weights (all weights specified in kg) are non-binding. Subject to change. Butterfly Valves 01

**CONFORM CU
ORIGINALUL**





APPLICATION AREAS

- Pumping stations.
- Treatment plants.
- Reservoirs.
- Pipelines
- Power stations (cooling water circuits)
- Desalination plants.
- Industrial applications.

Design : En 593 (which replaced BS 5155 and DIN 3354)

Normal Sizes (DN) : DN 150, 200, 250, 300, 350, 400, 450, 500, 600, 700, 750, 800, 900, 1000, 1100, 1200 , 1300, 1400, 1500, 1600, 1700, 1800, 2000, 2200, 2400, 2500

Pressure Rates : PN 10, PN 16, PN 25, PN 40, PN 63, CI 50, CI 300

Face to Face : EN 558-1 Series 13 and 14 (which replaced BS 5155 and DIN 3202)

Flange Connection : EN 1092-2

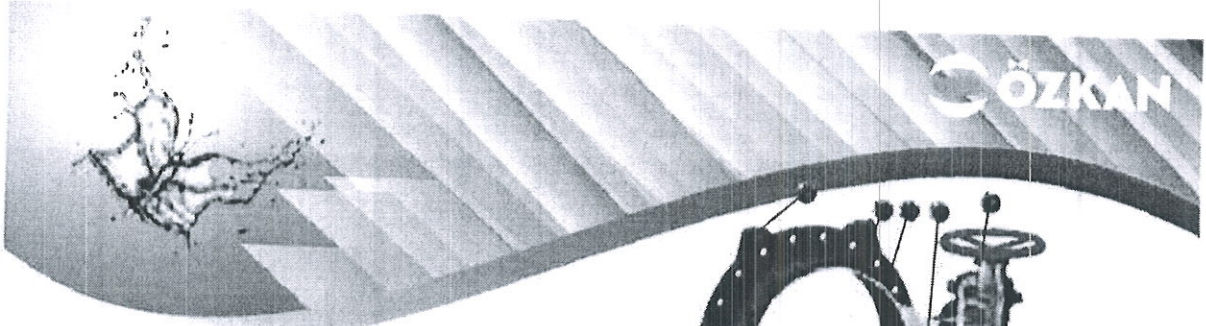
Optional Flange Connection : ANSI B 16,5, ASME B 16,5 ASME B 16.47 Series A, AWWA C 207, SANS 1123 (South Africa), AS 4087 - AS 2129 (Australia), ISO 7005, BS4504

Temperature Range : According to EN 1074

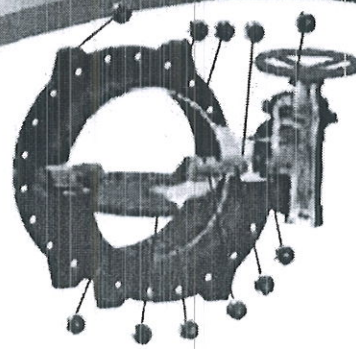
Works Tests : EN 1074 EN 12266

CONFORM CU
ORIGINALUL





DESIGN PROPERTIES



1. Body

Streamlined design and smooth finish of the body provides minimum resistance to flow.

2. Disc

Streamlined and low profiled disc ensuring higher Cv values. Double offset disc design reduces seal wear and torque.

3. Sealing System

Sealing on seat face is ensured by an endless T profile resilient sealing ring which is held on the periphery of the disc by a retaining ring. In closed position of disc the resilient sealing is pressed against the cone shaped seat face of the body and provide safe sealing in either direction of flow. In opened position of disc, sealing ring is completely unstressed due to the double eccentric disc design. One piece retaining ring prevents sealing ring from rolling out. Sealing ring can be replaced easily at site without dismantling the valve disc and without any special tool requirement.

4. Shafts

Stub shaft design provides small restriction of the passage.

5. Shaft Connection

Positive disc to shaft connection by the help of key.

6. Bearing System

Self lubricating plain bearings reduce shaft friction and operating torque. These bearings keep the disc in center and prevent axial movements.

7. Shaft Sealing

Double O-ring shaft sealing system ensures maintenance free sealing for life span.

8. Top Flange

All butterfly valves are equipped with ISO top flanges for all types of actuator-operator connections.

9. Lifting Holes and Feet

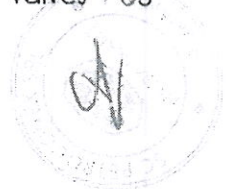
Integral lifting holes provide easy installation and feet ensure strong ground support.

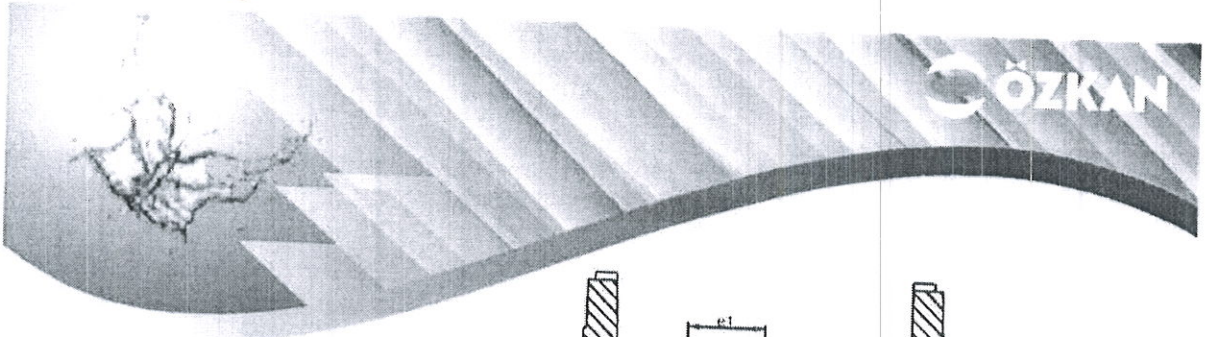
10. Body Seat

Stainless steel weld filed and finished integral body seat ensures a corrosion, erosion resistant seat face.

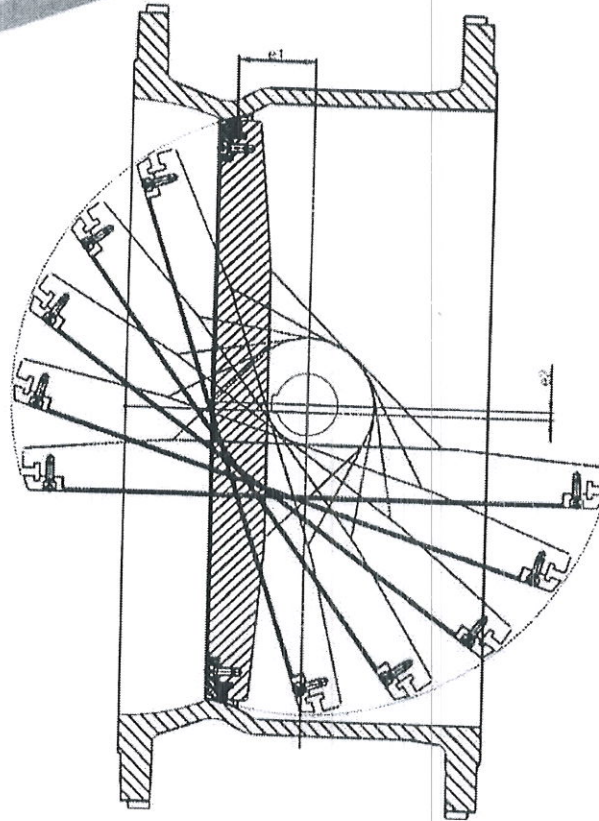
11. Coating

Fusion bonded epoxy, Two pack epoxy, Solvent-free epoxy, Coal tar epoxy, enamel for high pH working environment





DESIGN PROPERTIES



Butterfly Valves

Double Eccentricity

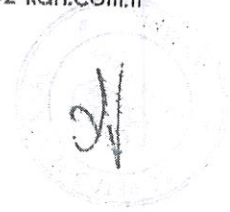
The first eccentricity ($e1$) brings the axis of rotation outside the sealing axis. That's why full circle sealing between body seat and sealing ring is achieved. The second eccentricity ($e2$) brings the axis of the disc from axis of the valve. By the help of second eccentricity the sealing ring is off seated after only a few degrees of movement at open direction. The purpose of the second eccentricity is to quickly relieve rubber seal compression in the area of the disc shafts to eliminate rubber "scruffing" and abrasive wear.

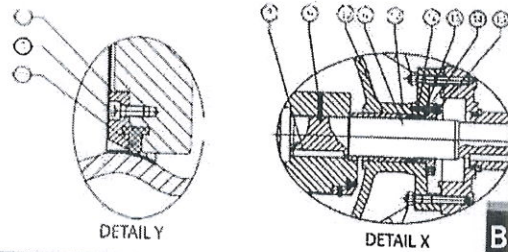
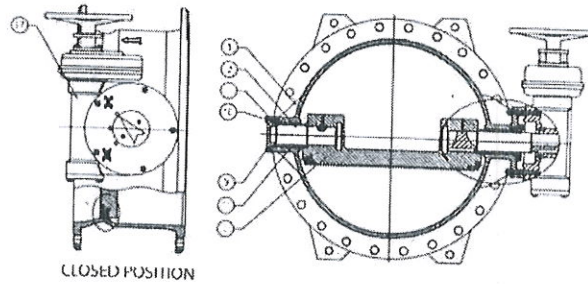
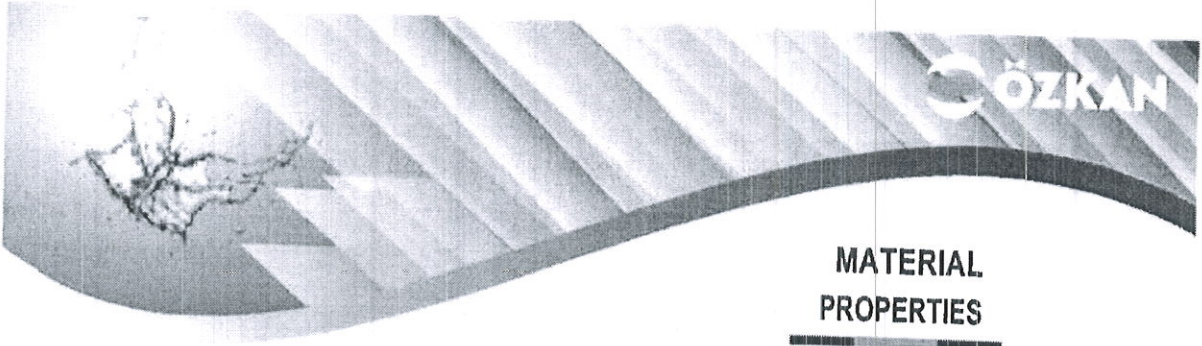
When the valve is open, the rubber is completely unstressed, so that no permanent impression is retained, even if the valve remains open for years.

04 | Butterfly Valves

All illustrations, technical data, dimensions (in mm) and weights (all weights specified in kg) are non-binding. Subject to change. www.oz-kan.com.tr

CONFORM CU
ORIGINALUL



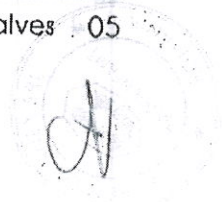


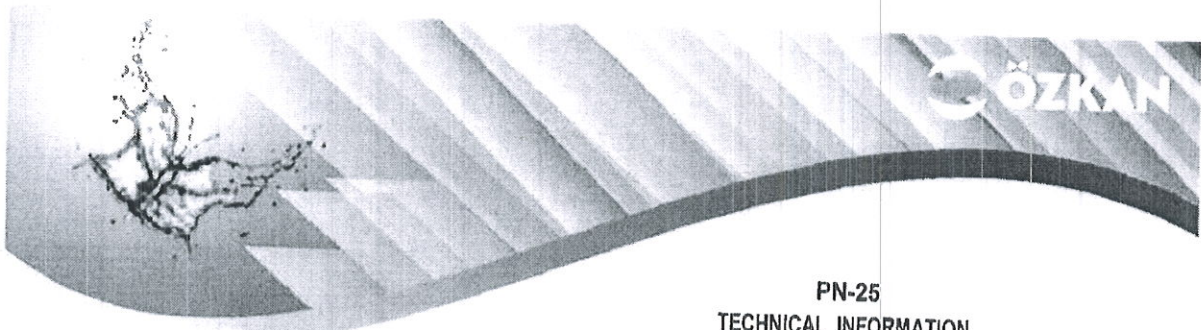
Butterfly Valves

| PART NO | DESCRIPTION | MATERIAL |
|---------|----------------------------|---------------------------------|
| 1 | Body | Ductile cast iron EN-GJS-400-15 |
| 2 | Disc | Ductile cast iron EN-GJS-400-15 |
| 3 | Retaining ring | Stainless Steel |
| 4 | Sealing ring | EPDM |
| 5 | Hex. socket head cap screw | Stainless steel A2 |
| 6 | Shaft - driven end | Stainless steel AISI 431 |
| 7 | Shaft - free end | Stainless steel AISI 431 |
| 8 | Key | Steel Ck45 |
| 9 | Hex. socket set screw | Stainless steel A2 |
| 10 | Bearing bush | Bronze |
| 11 | Bearing bush | Bronze |
| 12 | Spacer bush | Delrin |
| 13 | O-ring | EPDM |
| 14 | Cover - driven end | Ductile cast iron EN-GJS-400-15 |
| 15 | Cover - free end | Ductile cast iron EN-GJS-400-15 |
| 16 | Hex.bolt | Stainless steel A2 |
| 17 | Worm gear unit | - |

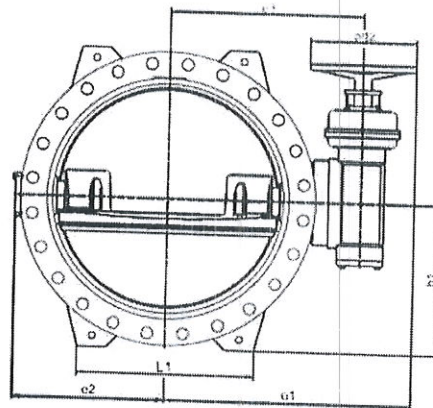
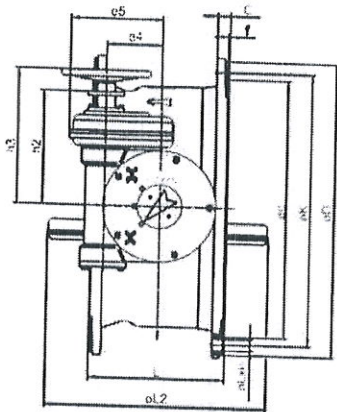
* Other material grades are available upon request.

CONFORM CU ORIGINALUL





PN-25
TECHNICAL INFORMATION

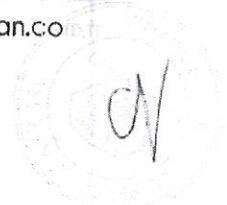


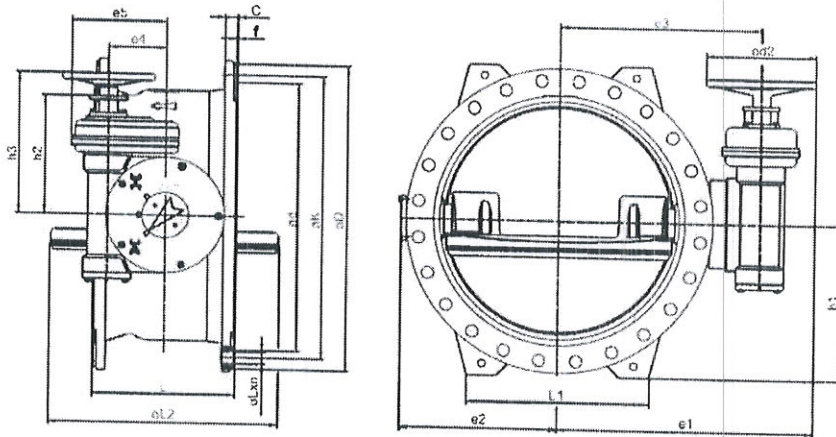
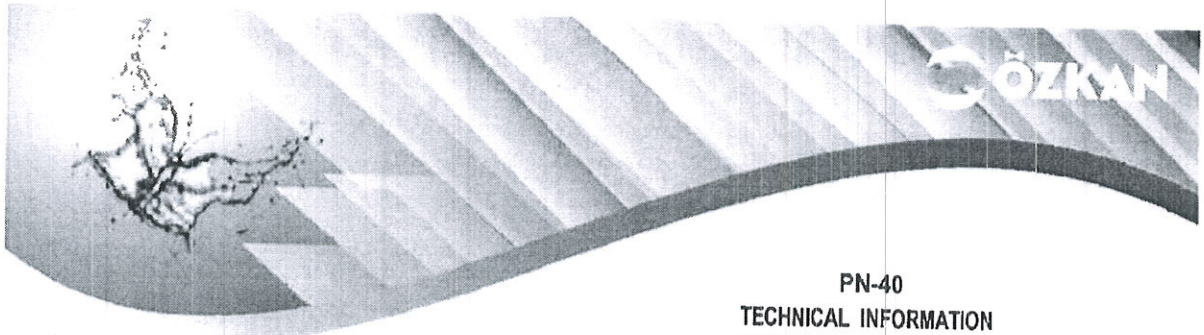
Butterfly Valves

| DN | PN | l | l | L1 | L2 | e1 | e2 | e3 | e4 | e5 | Ød2 | h1 | h2 | h3 | GEARBOX | WEIGHT (KG) |
|------|----|------|-----|------|------|------|------|------|-----|-----|-----|------|-----|-----|--------------|-------------|
| 150 | 25 | 210 | 140 | - | 152 | 378 | 151 | 255 | 71 | 134 | 245 | 150 | 136 | 212 | TK1 | 55 |
| 200 | 25 | 230 | 152 | 200 | 199 | 462 | 198 | 339 | 95 | 158 | 245 | 190 | 163 | 239 | TK2 | 80 |
| 250 | 25 | 250 | 165 | 305 | 251 | 556 | 250 | 371 | 110 | 175 | 370 | 223 | 184 | 271 | TK3 | 160 |
| 300 | 25 | 270 | 178 | 340 | 281 | 591 | 277 | 406 | 110 | 198 | 370 | 253 | 285 | 372 | TK3-R D4 | 185 |
| 350 | 25 | 290 | 190 | 320 | 336 | 619 | 294 | 434 | 110 | 198 | 370 | 288 | 285 | 372 | TK3-R D4 | 216 |
| 400 | 25 | 310 | 216 | 375 | 379 | 663 | 342 | 478 | 156 | 245 | 370 | 320 | 334 | 420 | TK4-R D4 | 295 |
| 450 | 25 | 330 | 222 | 470 | 427 | 709 | 382 | 524 | 156 | 245 | 370 | 345 | 334 | 420 | TK4-R D4 | 352 |
| 500 | 25 | 350 | 229 | 430 | 474 | 745 | 410 | 560 | 190 | 313 | 370 | 375 | 397 | 484 | TK5-R D5 | 475 |
| 600 | 25 | 390 | 267 | 530 | 567 | 798 | 461 | 611 | 190 | 313 | 370 | 433 | 397 | 484 | TK5-R D5 | 655 |
| 700 | 25 | 430 | 292 | 640 | 663 | 877 | 535 | 682 | 242 | 365 | 370 | 490 | 432 | 519 | TK6-R D6 | 900 |
| 750 | 25 | 450 | 305 | 600 | 710 | 907 | 542 | 722 | 242 | 365 | 370 | 526 | 432 | 519 | TK6-R D6 | 960 |
| 800 | 25 | 470 | 318 | 575 | 747 | 974 | 590 | 789 | 242 | 365 | 370 | 560 | 432 | 519 | TK6-R D6 | 1184 |
| 900 | 25 | 510 | 330 | 745 | 854 | 1114 | 685 | 871 | 290 | 515 | 485 | 610 | 538 | 625 | TK7-R D7 | 1800 |
| 1000 | 25 | 550 | 410 | 760 | 952 | 1171 | 741 | 928 | 290 | 515 | 485 | 675 | 538 | 625 | TK7-R D7 | 2120 |
| 1200 | 25 | 630 | 470 | 880 | 1148 | 1286 | 824 | 1043 | 290 | 515 | 485 | 775 | 538 | 625 | TK7-R D7 | 2780 |
| 1400 | 25 | 710 | 530 | 1010 | 1345 | 1476 | 964 | 1233 | 431 | 656 | 485 | 888 | 681 | 768 | TK8-R D8 | 4210 |
| 1600 | 25 | 790 | 600 | 1210 | 1543 | 1603 | 1110 | 1300 | 431 | 656 | 605 | 1000 | 809 | 909 | TK8-R D8 5 | 5640 |
| 1800 | 25 | 870 | 670 | 1345 | 1678 | 1833 | 1255 | 1530 | 519 | 744 | 605 | 1118 | 898 | 998 | TK10-R D10 5 | 9100 |
| 2000 | 25 | 950 | 760 | 1400 | 1886 | 1886 | 1353 | 1583 | 519 | 744 | 605 | 1228 | 898 | 998 | TK10-R D10 5 | 11560 |
| 2500 | 25 | 1150 | - | 1785 | 2405 | 2121 | 1615 | 1819 | 519 | 744 | 605 | 1530 | 898 | 998 | TK10-R D10 5 | 17805 |

* Please contact us for other sizes and pressure rates.

CONFORM CU
ORIGINALUL



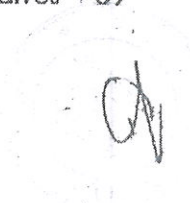


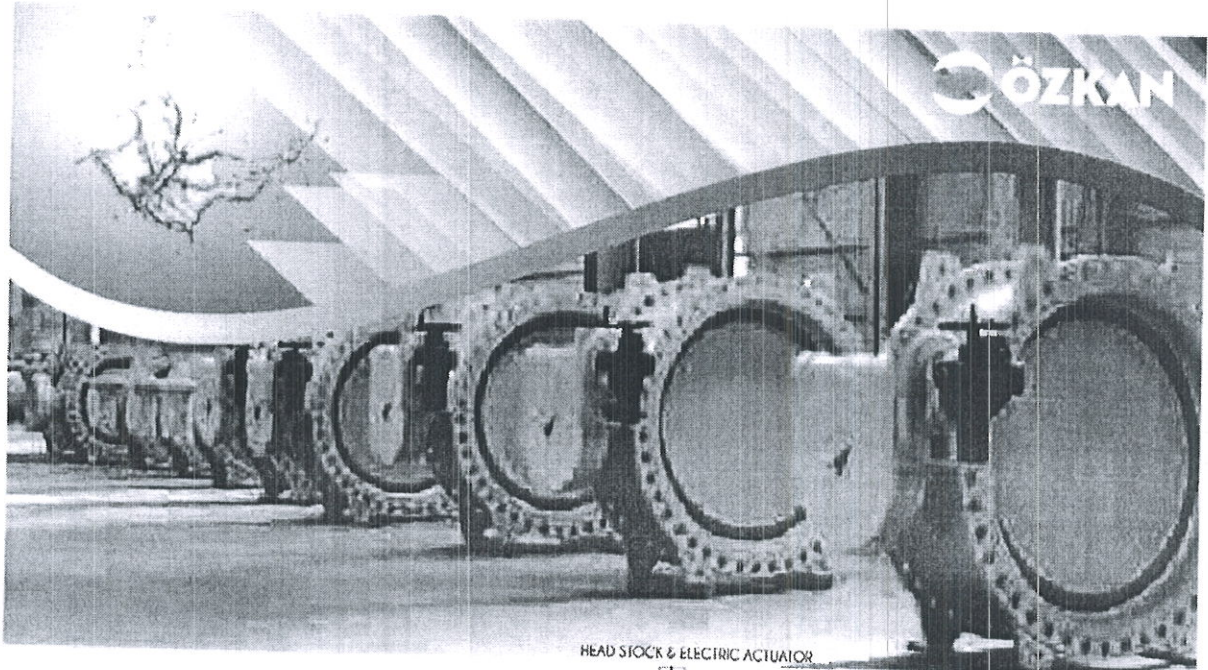
Butterfly Valves

| DN | PN | L Seri 14 | L1 | L2 | e1 | e2 | e3 | e4 | e5 | Ød2 | h1 | h2 | h3 | GEARBOX | WEIGHT (KG) |
|------|----|-----------|------|------|------|------|------|-----|-----|-----|------|-----|-----|--------------|-------------|
| 150 | 40 | 210 | - | 152 | 378 | 151 | 255 | 71 | 134 | 245 | 150 | 136 | 212 | TK1 | 55 |
| 200 | 40 | 230 | 200 | 199 | 462 | 198 | 389 | 95 | 158 | 245 | 198 | 163 | 239 | TK2 | 119 |
| 250 | 40 | 250 | 305 | 251 | 579 | 250 | 394 | 110 | 198 | 370 | 235 | 285 | 372 | TK3-R D4 | 180 |
| 300 | 40 | 270 | 340 | 281 | 610 | 277 | 425 | 110 | 198 | 370 | 268 | 285 | 372 | TK3-R D4 | 210 |
| 350 | 40 | 290 | 360 | 336 | 631 | 294 | 446 | 156 | 245 | 370 | 300 | 334 | 420 | TK4-R D4 | 296 |
| 400 | 40 | 310 | 380 | 379 | 696 | 342 | 511 | 156 | 245 | 370 | 340 | 334 | 420 | TK4-R D4 | 360 |
| 450 | 40 | 330 | 470 | 422 | 716 | 386 | 531 | 190 | 313 | 370 | 353 | 357 | 484 | TK5-R D5 | 490 |
| 500 | 40 | 350 | 440 | 467 | 762 | 412 | 577 | 190 | 313 | 370 | 388 | 397 | 484 | TK5-R D5 | 545 |
| 600 | 40 | 390 | 530 | 567 | 828 | 461 | 643 | 190 | 313 | 370 | 455 | 397 | 484 | TK5-R D5 | 740 |
| 700 | 40 | 430 | 640 | 663 | 877 | 535 | 692 | 242 | 365 | 370 | 508 | 432 | 519 | TK6-R D6 | 1079 |
| 800 | 40 | 470 | 568 | 748 | 1068 | 592 | 825 | 290 | 515 | 485 | 580 | 538 | 625 | TK7-R D7 | 1828 |
| 900 | 40 | 510 | 745 | 855 | 1114 | 685 | 871 | 290 | 515 | 485 | 645 | 538 | 625 | TK7-R D7 | 2280 |
| 1000 | 40 | 550 | 800 | 949 | 1188 | 725 | 945 | 290 | 515 | 485 | 695 | 538 | 625 | TK7-R D7 | 2530 |
| 1200 | 40 | 630 | 880 | 1126 | 1316 | 883 | 1073 | 431 | 656 | 485 | 800 | 681 | 768 | TK8-R D8 | 3906 |
| 1400 | 40 | 710 | 1110 | 1314 | 1536 | 968 | 1233 | 431 | 656 | 605 | 915 | 809 | 909 | TK8-R D8 5 | 5340 |
| 1600 | 40 | 790 | 1250 | 1485 | 1733 | 1133 | 1430 | 519 | 744 | 605 | 1030 | 898 | 998 | TK10-R D10 5 | 8820 |
| 1800 | 40 | 870 | 1350 | 1674 | 1833 | 1318 | 1530 | 519 | 744 | 605 | 1140 | 898 | 998 | TK10-R D10 5 | 11480 |

* Please contact us for other sizes and pressure rates

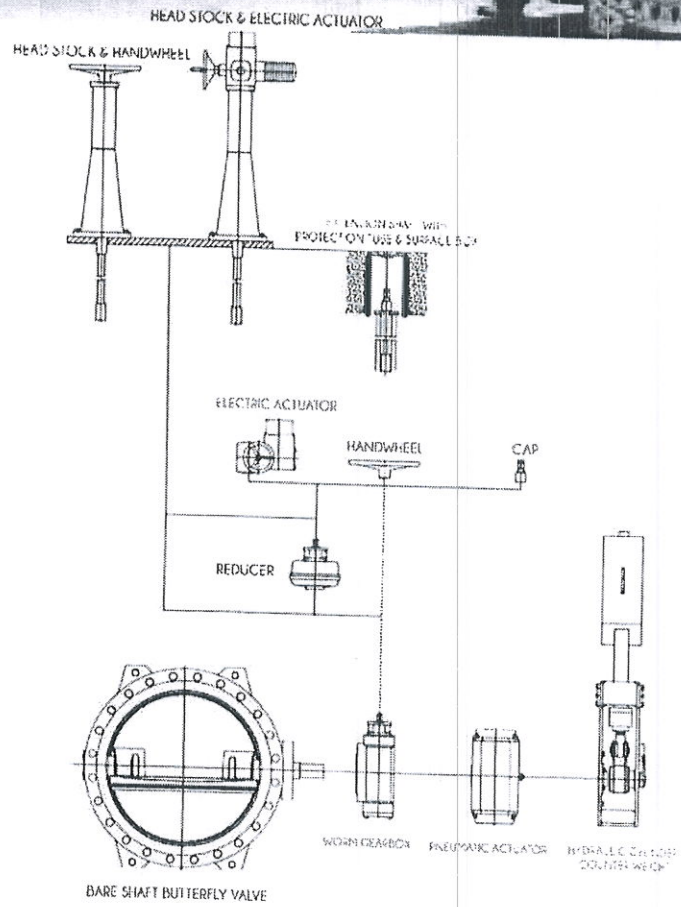
CONFORM CU ORIGINALUL



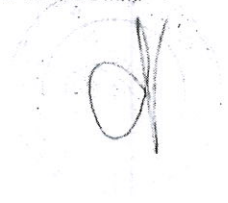


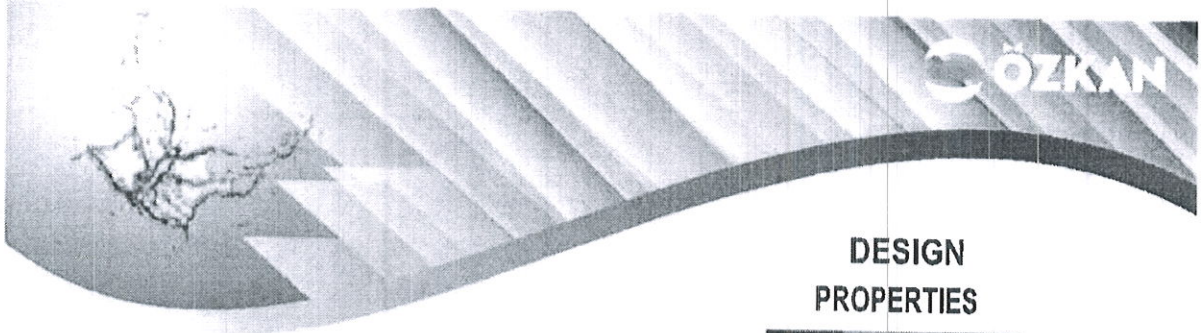
OPERATION OPTIONS

Butterfly Valves



**CONFORM CU
ORIGINALUL**





DESIGN PROPERTIES

TK Range worm gear operators have been designed and developed by ÖZKAN for the operation of Butterfly valves. Worm gear operators offer a quarter turn (90°) motion that is required by butterfly valves and disc motion is limited at open, closed positions by traveling nut system.

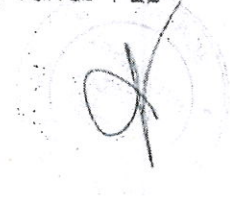
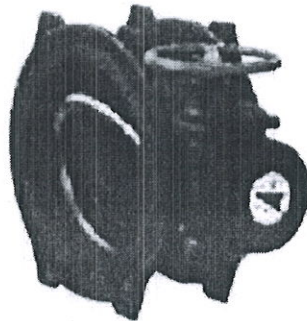
Bottom end of the worm shaft is threaded and a nut moves up-down on this threaded spindle. When operating the gear (valve) in open or close direction, the travelling nut also moves towards the corresponding end stop and prevents the over travel of valve disc.

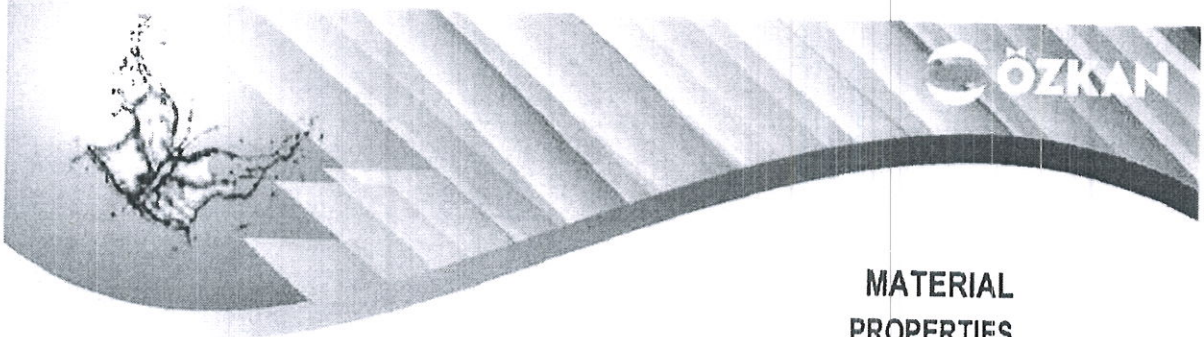
Self locking (irreversible) gear design guarantees the proper operation and tightness of ÖZKAN butterfly valves.

Nine types of worm gear operators cover the torque requirements of whole range of butterfly valves.

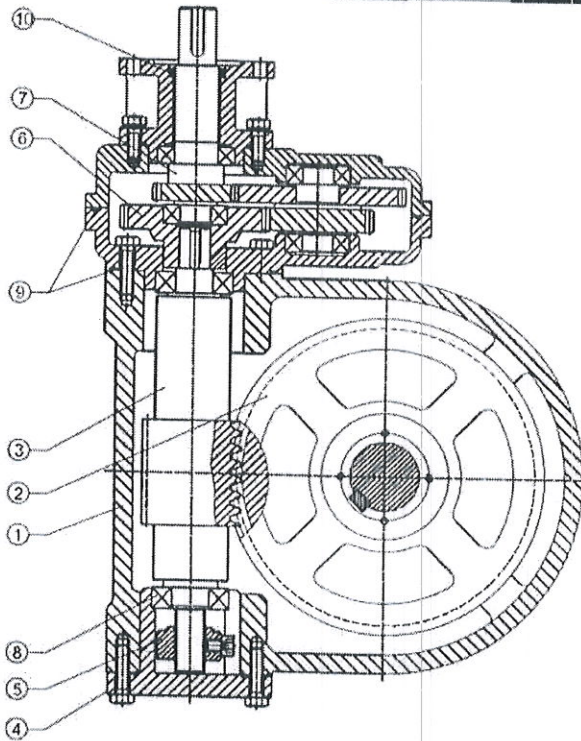
Worm or worm/spur gear operators are so designed that butterfly valves can be operated by one operator.

- Robust design.
- Factory set 90° swing angle. Setting of the end stop by travelling nut system.
- Strong, integrated into the body valve attachment.
- Valve attachment according to ISO 5211.
- Self locking worm gearing with minimum backlash.
- ISO 5211 top flange for mounting of multi-turn actuators.
- Mechanical position indicator.
- IP 67 enclosure protection. (IP 68 optional)
- Anticlockwise closing on request.





MATERIAL PROPERTIES

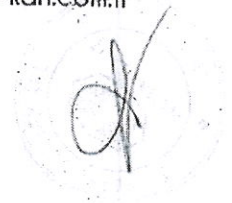


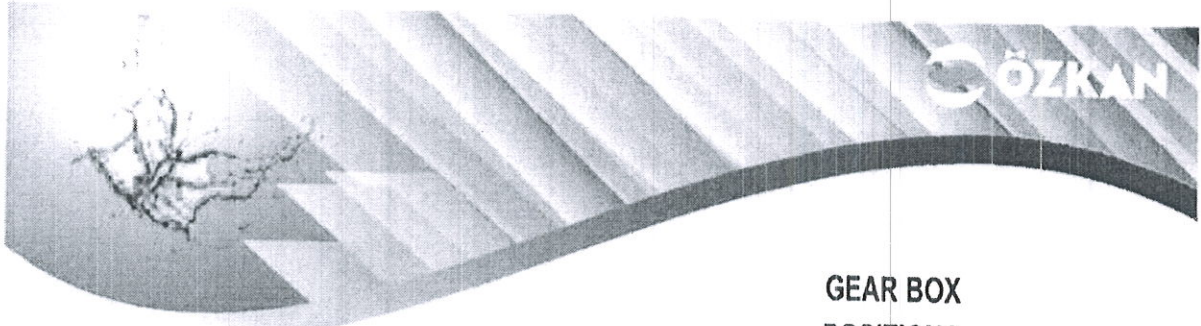
Gear Operator

| PART NO | DESCRIPTION | MATERIAL |
|---------|----------------|---------------------------------|
| 1 | Housing | Cast iron EN-GJL-250 |
| 2 | Worm wheel | Ductile cast iron EN-GJS-500-7 |
| 3 | Worm shaft | Steel C 40 |
| 4 | Cover | Ductile cast iron EN-GJS-400-15 |
| 5 | Travelling nut | Steel 42CrMo4 |
| 6 | Spur gear | Ductile cast iron EN-GJS-600-3 |
| 7 | Pinion | Steel C 40 |
| 8 | Bearing | - |
| 9 | O-ring | NBR |
| 10 | Radial seal | NBR |

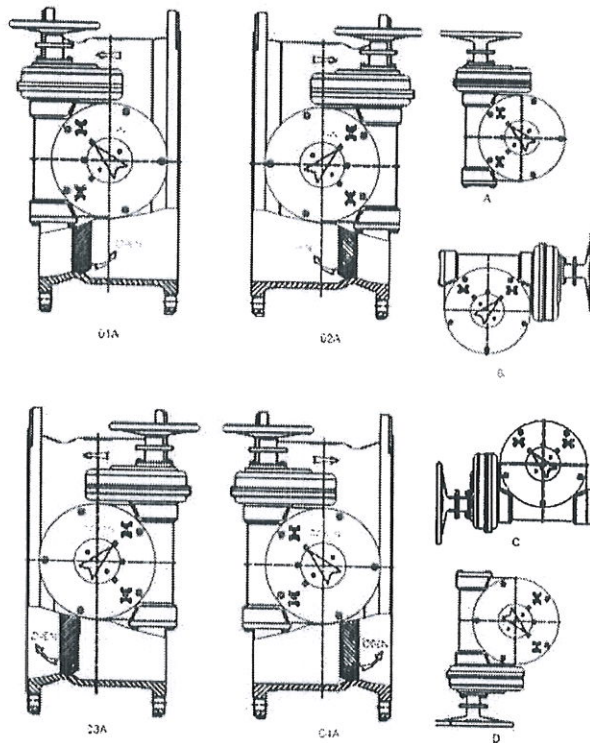
* Other material grades are available upon request.

**CONFORM CU
ORIGINAL UL**



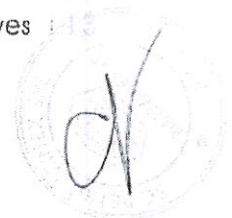


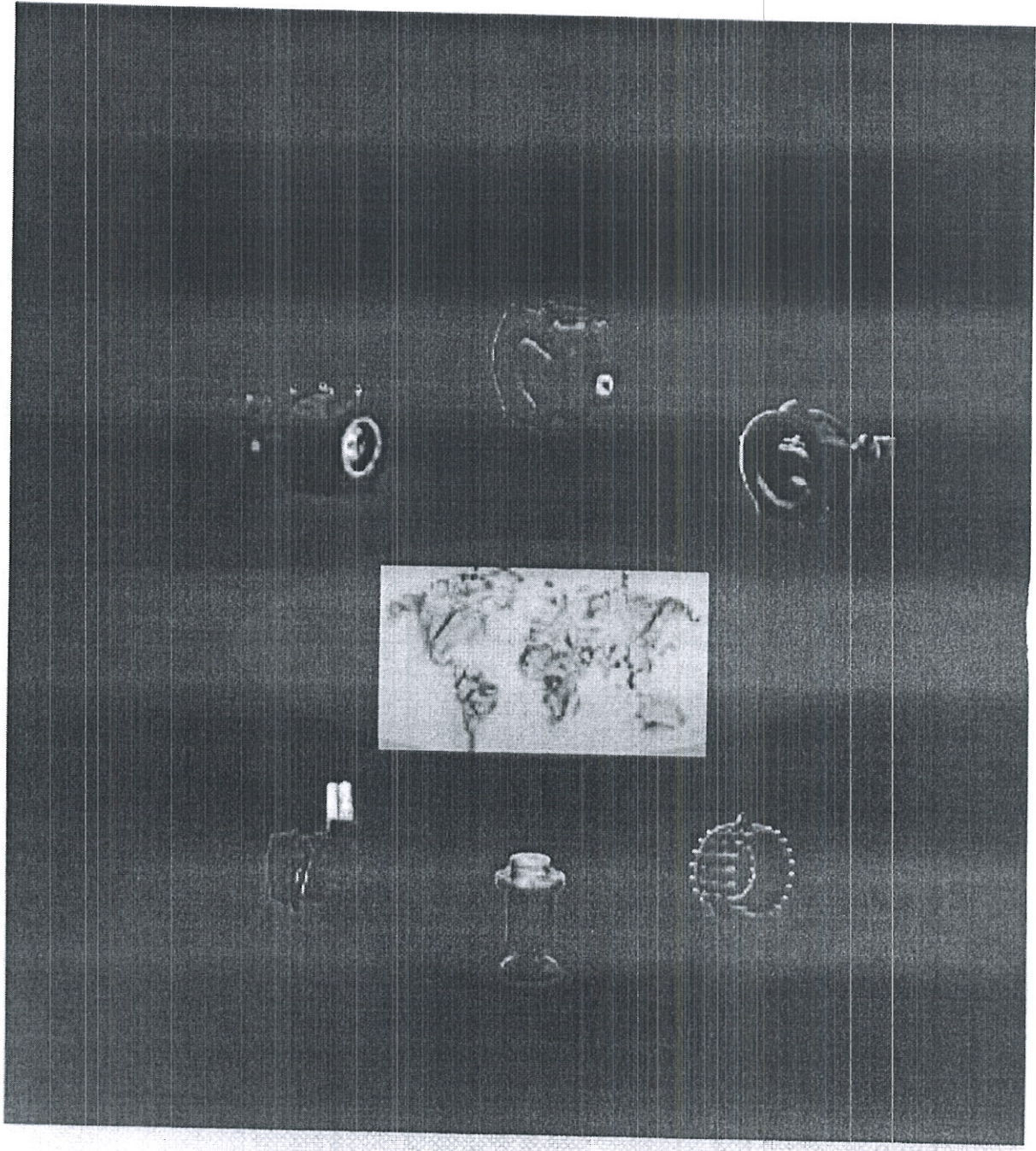
GEAR BOX POSITIONS



Gear Box

| TYPE | | RATIO | | | TORQUE CONVERSION RATIO | TURNS TO CLOSE | VALVE CONNECTIO ISO 5211 | WEIGHT (KG) |
|-----------------|----------------------|-----------------|----------------------|--------|-------------------------------|-------------------|-----------------------------|----------------|
| WORM GEARBOX | REDUCTION GEARING | WORM GEARBOX | REDUCTION GEARING | TOTAL | | | | |
| TK 1 | -- | 45:1 | -- | 45:1 | 9,9 | 11,25 | F 10 | 14 |
| TK 2 | -- | 40:1 | -- | 40:1 | 9,6 | 10 | F 12 | 29 |
| TK 3 | -- | 50:1 | -- | 50:1 | 12 | 12,50 | F 14 | 36 |
| TK 3 | RD 4 | 50:1 | 2,90:1 | 145:1 | 31,5 | 36,25 | F 14 | 53 |
| TK 4 | RD 4 | 60:1 | 2,90:1 | 174:1 | 45 | 43,50 | F 16 | 81 |
| TK 5 | RD 5 | 60:1 | 6,94:1 | 416:1 | 119,5 | 104 | F 25 | 133 |
| TK 6 | RD 6 | 65:1 | 11,84:1 | 770:1 | 220 | 192,50 | F 30 | 191 |
| TK 7 | RD 7 | 60:1 | 24,17:1 | 1450:1 | 418 | 362,50 | F 35 | 436 |
| TK 8 | RD 8 | 93:1 | 24,17:1 | 2248:1 | 648 | 562 | F 40 | 720 |
| TK 8 | RD 85 | 93:1 | 67,68:1 | 6294:1 | 1806 | 1574 | F 40 | 750 |
| TK 10 | RD 15 | 89:1 | 60,45:1 | 5380:1 | 1615 | 1345 | F 48 | 1610 |



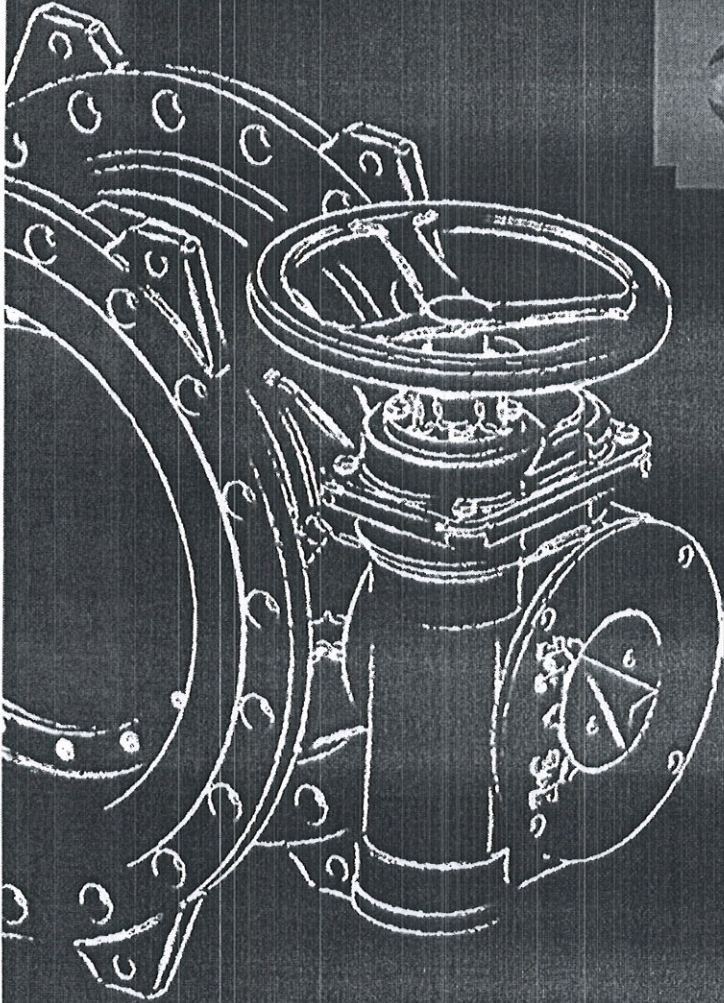


Phone: +90 232 328 06 00 Fax: +90 232 328 06 09 E-mail: info@oz-kan.com.tr
Adress: 10008 St No:15 Atatürk Organize Sanayi Bölgesi 35620 Çiğli/Izmir/TURKEY
www.oz-kan.com.tr
member of HAWLE Austria Group



CONFORM CU
ORIGINALUL

Handwritten signature or initials.

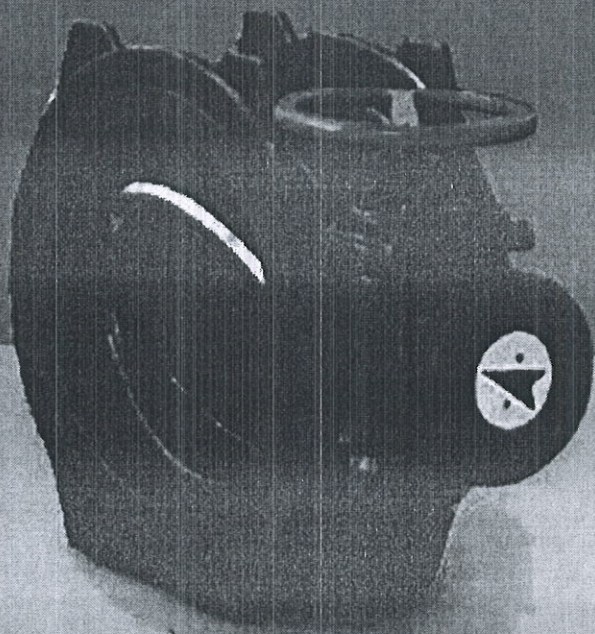


ÖZKAN LEAD WATER TO T-E NEXT LEVEL.

CONFORM CU
ORIGINALUL



BUTTERFLY VALVES



At the end of the year, the company has achieved a significant increase in sales, which is a result of the high quality of its products and the excellent service provided to its customers.

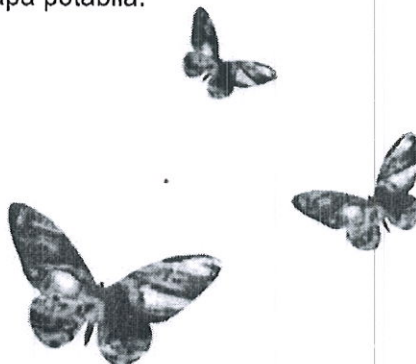
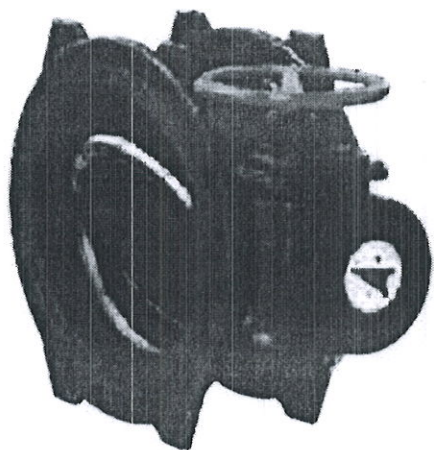
CONFORM CU
ORIGINALUL



DE CE?

ROBINET
FLUTURE

- Gama larga a dispozitivelor de actionare.
- Etanseitate bidirectionala.
- Inchidere etans la presiunea nominala.
- Potrivit pentru servicii de izolare si control.
- Design fara intretinere.
- Cerință de cuplu scazut pentru functionare.
- Instalare usoara.
- Cerinta pentru greutate redusa si volum mai mic.
- Aprobarea ÖVGW pentru apa potabila.



Toate Ruștrile, file tehnice, dimensiuni (mm) și greutate (toate greutatele specificate în kg) nu sunt obligatorii. Pot fi schimbate

Robinet cu clapa fluture

01

CONFORM CU
ORIGINALUL





DOMENII DE APLICARE

- Statii de pompare.
- Statii de epurare.
- Rezervoare.
- Conducte
- Centrale electrice (circuite de racire a apei)
- Instalatii de desalinizare.
- Aplicatii industriale.

Design : EN 593 (care a inlocuit BS 5155 si DIN 3354)

Diametru nominal (DN) : DN 150, 200, 250, 300, 350, 400, 450, 500, 600, 700, 750, 800, 900, 1000, 1100, 1200, 1300, 1400, 1500, 1600, 1700, 1800, 2000, 2200, 2400, 2500

Presiune nominala : PN 10, PN 16, PN 25, PN 40, PN 63, CI 50, CI 300

Dimensiunea dintre flanse: EN 558-1 Seria 13 si 14 (care a inlocuit BS 5155 si DIN 3202)

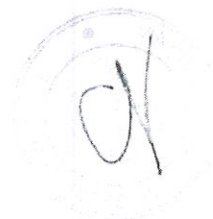
Conexiune cu flanse : EN 1092-2

**Optiuni
conexiune cu
flanse** : ANSI B 16,5, ASME B 16,5 ASME B 16.47 Seria A,
AWWA C 207, SANS 1123 (Africa de Sud), AS 4087 - AS 2129
(Australia), ISO 7005, BS4504

Interval de temperatura : Conform EN 1074

Teste de lucru : EN 1074 ; EN 12266

CONFORM CU
ORIGINALUL





Proprietati proiectare

1. Corp

Designul simplificat și finisarea netedă a corpului asigură o rezistență minimă la curgere.

2. Disc

Disc simplificat și cu profil redus, asigurând valori Cv mai mari. Design-ul dublu disc reduce uzura etansarii si cuplul.

3. Sistem de etansare

Etanșarea pe fata scaunului este asigurată de un inel de etanșare rezistent la profil T care este ținut la extremitatea discului printr-un dispozitiv de fixare. In pozitia inchisa a discului, etansarea cauciucata apasa pe scaunul conic a corpului si ofera o etansare sigura in ambele directii. In pozitia deschisa a discului, inelul de etanșare este complet nesolicitat datorită designului dublu excentric al discului. Inelul de fixare dintr-o singură bucată împiedică alunecarea inelului de etanșare. Inelul de etansare poate fi inlocuit cu usurinta fara demontarea discului si fara a fi nevoie de instrumente speciale.

4. Tija

Design-ul tijei scurte ofera o restrictie mica a pasajului.

5. Conexiunea tijei

Conexiunea pozitivă disc-tija cu ajutorul cheii.

6. Sistem de rulment

Rulmenții simpli autolubrificali reduc frecarea tijei și cuplul de funcționare. Acești rulmenți mențin discul în centru și împiedică mișcările axiale.

7. Etansara tijei

Sistemul dublu de etanșare a tijei cu o ring asigură etanșeitatea fără întreținere pe toată durata de viață.

8. Flansa superioara

Toti robinetii fluture sunt echipati cu flanșe de lagatura ISO pentru toate tipurile de conexiuni de tip action: electrica sau altele.

9. Gauri de ridicare si picioare

Găurile de ridicare integrate asigură o instalare ușoară, iar picioarele asigură un sprijin puternic la sol.

10. Etansarea corpului

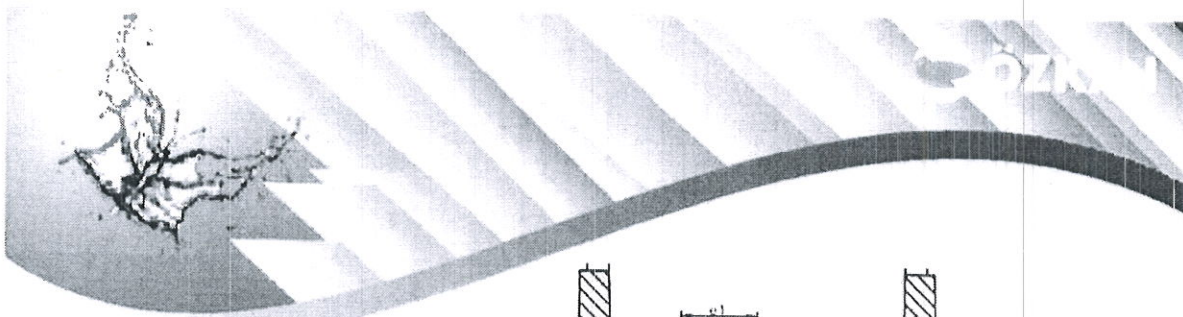
Sudura din inox si scaunul integral finisat al corpului asigura o rezistenta la coroziune,eroziune.

11. Vopsire

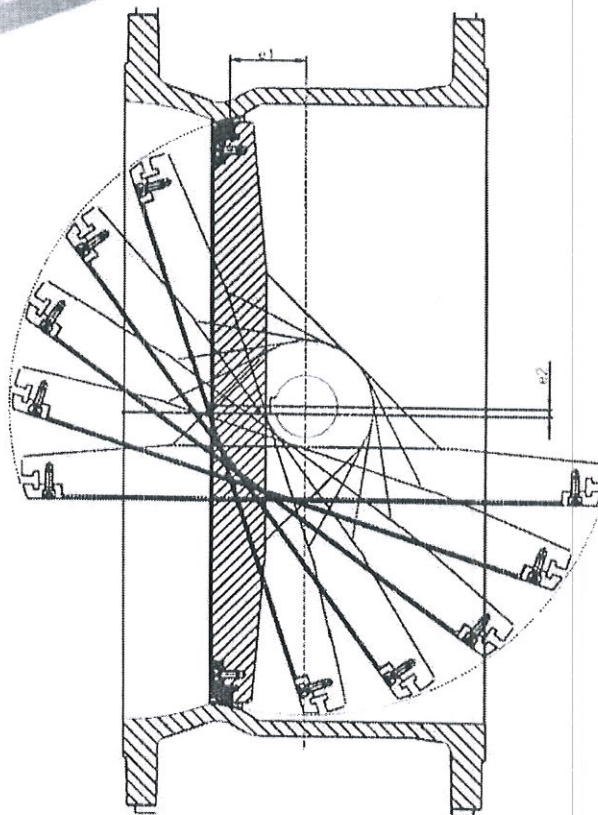
Epoxidic realizat prin fuziune, epoxidic cu două ambalaje, epoxidic fără solvenți, epoxidic cu gudron carbune, email pentru mediu de lucru cu pH ridicat

CONFORM CU
ORIGINALUL





Proprietati proiectare



Robinet fluture

Dubla excentricitate

Prima excentricitate (e_1) aduce axa de rotație în afara axei de etanșare. De aceea se realizează etanșarea în cerc complet între scaunul corpului și inelul de etanșare. A doua excentricitate (e_2) aduce axa discului de la axa robinetului. Cu ajutorul celei de-a doua excentricități, inelul de etanșare este oprit după doar câteva grade de mișcare în poziția deschis. Scopul celei de-a doua excentricități este de a ameliora rapid compresia de etanșare din cauciuc în zona axului discului pentru a elimina uzura de abraziune și „curățarea” din cauciuc.

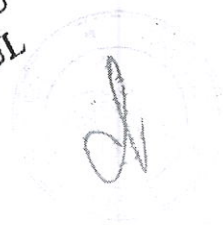
În momentul în care robinetul este deschis, cauciucul este complet nesolicitat, astfel încât nu se păstrează o amprentă permanentă, chiar dacă robinetul rămâne deschis ani de zile.

04 | Robinet cu clapa fluture

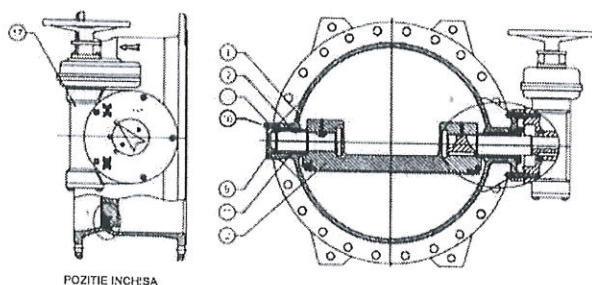
Toate măsurările, Rose tehnico-dimensuri (mm) și greutatea (toate greutatele specificate în kg) nu sunt obligatorii. Pot fi schimbate.

www.oz-kan.com.tr

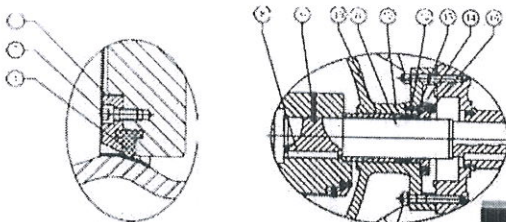
CONFORM CU
ORIGINALUL



PROPRIETATILE
MATERIALULUI



POZITIE INCHESA



DETAIL Y

DETAIL X

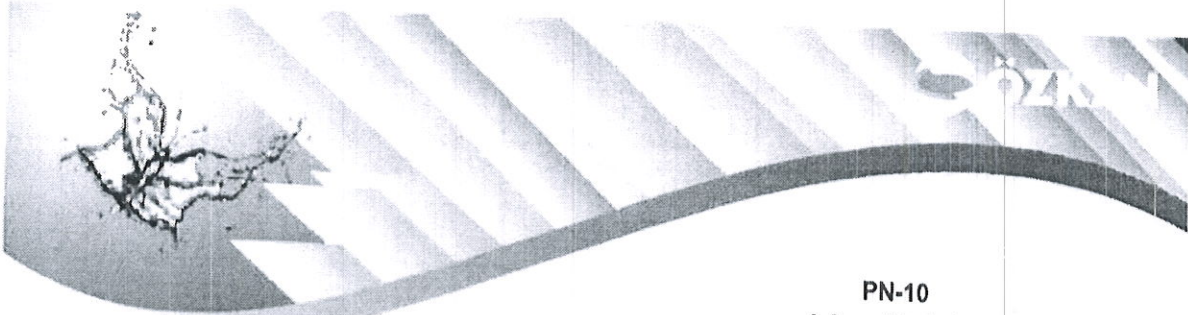
Robinet fluture

| Nr. | DESCRIERE | MATERIAL |
|-----|---------------------------------|-----------------------------|
| 1 | Corp | Fonta ductila EN-GJS-400-15 |
| 2 | Disc | Fonta ductila EN-GJS-400-15 |
| 3 | Inel de fixare | Otel inoxidabil |
| 4 | Inel de etansare | Elastomer EPDM |
| 5 | Surub cu cap cu soclu hexagonal | Inox A2 |
| 6 | Tija - parte superioara | Inox AISI 431 |
| 7 | Tija - parte inferioara | Inox AISI 431 |
| 8 | Cheie | Otel Ck45 |
| 9 | Set suruburi soclu hexagonale | Inox A2 |
| 10 | Rulment bucsa | Bronz |
| 11 | Rulment bucsa | Bronz |
| 12 | Distantier bucsa | Delrin |
| 13 | O-ring | Elastomer EPDM |
| 14 | Capac superior | Fonta ductila EN-GJS-400-15 |
| 15 | Cover inferior | Fonta ductila EN-GJS-400-15 |
| 16 | Surub hexagonal | Inox A2 |
| 17 | Reductor melcat | - |

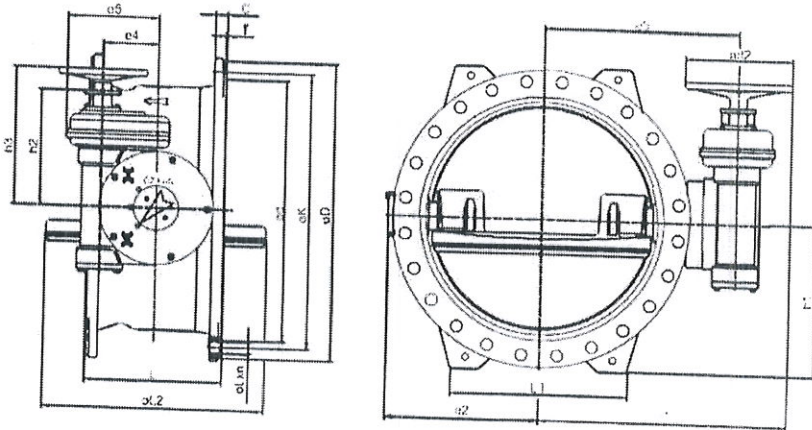
* Alte materiale sunt valabile la cerere.

CONFORM CU
ORIGINALUL





PN-10
Informatii tehnice



Robinet fluture

| DN | PN | | | h1 | h2 | e1 | e2 | e3 | e4 | e5 | Ød2 | h1 | h2 | h3 | REDUCTOR | GREUTATE (KG) |
|------|----|------|-----|------|------|------|------|------|-----|-----|-----|------|-----|-----|--------------|---------------|
| 150 | 10 | 210 | 140 | - | 152 | 378 | 151 | 255 | 71 | 134 | 245 | 143 | 136 | 212 | | |
| 200 | 10 | 230 | 152 | 180 | 199 | 405 | 177 | 282 | 71 | 134 | 245 | 180 | 136 | 212 | TK1 | 43 |
| 250 | 10 | 250 | 165 | 220 | 251 | 481 | 214 | 352 | 95 | 158 | 245 | 213 | 163 | 239 | TK1 | 58 |
| 300 | 10 | 270 | 178 | 280 | 281 | 503 | 237 | 380 | 95 | 158 | 245 | 242 | 163 | 239 | TK2 | 95 |
| 350 | 10 | 290 | 190 | 320 | 336 | 595 | 283 | 410 | 110 | 175 | 370 | 264 | 184 | 271 | TK2 | 114 |
| 400 | 10 | 310 | 216 | 335 | 385 | 626 | 297 | 441 | 110 | 175 | 370 | 293 | 184 | 271 | TK3 | 155 |
| 450 | 10 | 330 | 222 | 360 | 434 | 670 | 333 | 485 | 110 | 175 | 370 | 320 | 285 | 372 | TK3 | 175 |
| 500 | 10 | 350 | 229 | 400 | 474 | 701 | 344 | 516 | 156 | 245 | 370 | 345 | 334 | 420 | TK3-R D4 | 220 |
| 600 | 10 | 390 | 267 | 440 | 576 | 749 | 414 | 564 | 156 | 245 | 370 | 400 | 334 | 420 | TK4-R D4 | 285 |
| 700 | 10 | 430 | 292 | 540 | 671 | 838 | 511 | 653 | 190 | 313 | 370 | 460 | 397 | 484 | TK4-R D4 | 345 |
| 750 | 10 | 450 | 305 | 580 | 710 | 882 | 542 | 697 | 190 | 313 | 370 | 496 | 397 | 484 | TK5-R D5 | 530 |
| 800 | 10 | 470 | 318 | 610 | 766 | 855 | 530 | 670 | 190 | 313 | 370 | 520 | 397 | 484 | TK5-R D5 | 690 |
| 900 | 10 | 510 | 330 | 670 | 861 | 965 | 618 | 780 | 242 | 365 | 370 | 568 | 432 | 519 | TK5-R D5 | 680 |
| 1000 | 10 | 550 | 410 | 740 | 951 | 1039 | 650 | 854 | 242 | 365 | 370 | 625 | 432 | 519 | TK6-R D6 | 915 |
| 1100 | 10 | 590 | 440 | 750 | 1053 | 1022 | 720 | 837 | 242 | 365 | 370 | 695 | 432 | 519 | TK6-R D6 | 1130 |
| 1200 | 10 | 630 | 470 | 900 | 1147 | 1251 | 782 | 1008 | 290 | 515 | 485 | 738 | 538 | 625 | TK6-R D6 | 1570 |
| 1300 | 10 | 670 | - | 988 | 1248 | 1301 | 867 | 1059 | 290 | 515 | 485 | 803 | 538 | 625 | TK7-R D7 | 1965 |
| 1400 | 10 | 710 | 530 | 1160 | 1345 | 1349 | 917 | 1101 | 290 | 515 | 485 | 848 | 538 | 625 | TK7-R D7 | 2867 |
| 1500 | 10 | 750 | - | 1080 | 1435 | 1411 | 1015 | 1168 | 290 | 515 | 485 | 910 | 681 | 768 | TK7-R D7 | 2620 |
| 1600 | 10 | 790 | 600 | 1250 | 1537 | 1483 | 1060 | 1240 | 431 | 656 | 485 | 970 | 681 | 768 | TK8-R D8 | 3440 |
| 1800 | 10 | 870 | 670 | 1220 | 1727 | 1586 | 1183 | 1343 | 431 | 656 | 485 | 1075 | 681 | 768 | TK8-R D8 | 3920 |
| 2000 | 10 | 950 | 760 | 1300 | 1901 | 1769 | 1303 | 1526 | 431 | 656 | 485 | 1183 | 681 | 768 | TK8-R D8 | 4760 |
| 2200 | 10 | 1030 | - | 1500 | 2085 | 1906 | 1420 | 1603 | 431 | 656 | 605 | 1285 | 809 | 909 | TK8-R D8 | 6300 |
| 2400 | 10 | 1110 | - | 1600 | 2308 | 2095 | 1593 | 1792 | 519 | 744 | 605 | 1390 | 898 | 998 | TK8-R D8 5 | 8500 |
| 2500 | 10 | 1150 | - | 1600 | 2398 | 2122 | 1610 | 1819 | 519 | 744 | 605 | 1440 | 898 | 998 | TK10-R D10 5 | 12900 |
| | | | | | | | | | | | | | | | TK10-R D10 5 | 13820 |

* Vă rugăm să ne contactați pentru alte dimensiuni și rate de presiune.

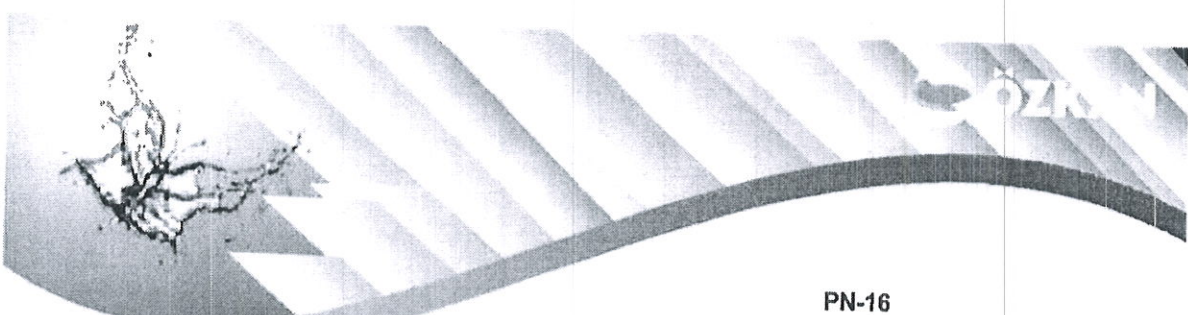
06 | Robinet cu clapa fluture

date ilustrative. Este tehnice, dimensiuni (mm) și greutate (toate greutățile specificate în kg) nu sunt obligatorii. Pot fi schimbate

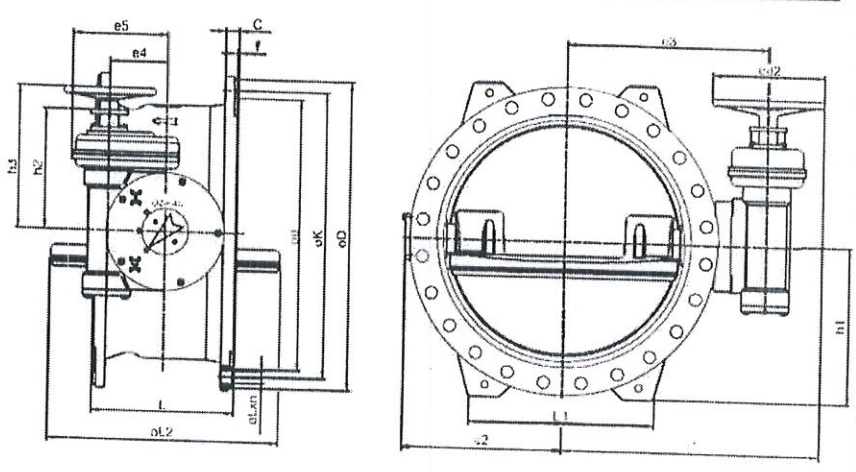
www.oz-kan.com.tr

CONFORM CU ORIGINALUL

Handwritten signature



PN-16
Informatii tehnice



Robineti fluture

| DN | PN | | | t1 | L2 | e1 | e2 | e3 | e4 | e5 | Ød2 | h1 | n2 | h3 | REDUCTOR | GREUTATE (KG) |
|------|----|------|-----|------|------|------|------|------|-----|-----|-----|------|-----|-----|------------|---------------|
| 150 | 16 | 210 | 140 | - | 152 | 3/8 | 151 | 255 | 71 | 134 | 245 | 143 | 136 | 212 | TK1 | 43 |
| 200 | 16 | 230 | 152 | 180 | 199 | 405 | 177 | 282 | 71 | 134 | 245 | 180 | 136 | 212 | TK1 | 58 |
| 250 | 16 | 250 | 165 | 220 | 251 | 481 | 214 | 352 | 95 | 158 | 245 | 213 | 163 | 239 | TK2 | 95 |
| 300 | 16 | 270 | 178 | 280 | 281 | 503 | 237 | 380 | 95 | 158 | 245 | 242 | 163 | 239 | TK2 | 114 |
| 350 | 16 | 290 | 190 | 320 | 336 | 595 | 283 | 410 | 110 | 175 | 370 | 272 | 184 | 271 | TK3 | 160 |
| 400 | 16 | 310 | 216 | 335 | 385 | 626 | 297 | 441 | 110 | 198 | 370 | 300 | 285 | 372 | TK3-R D4 | 208 |
| 450 | 16 | 330 | 222 | 380 | 434 | 670 | 333 | 485 | 110 | 198 | 370 | 330 | 285 | 372 | TK3-R D4 | 240 |
| 500 | 16 | 350 | 229 | 400 | 474 | 721 | 344 | 531 | 156 | 245 | 370 | 370 | 334 | 420 | TK4-R D4 | 325 |
| 600 | 16 | 390 | 267 | 500 | 576 | 779 | 414 | 594 | 156 | 245 | 370 | 432 | 334 | 420 | TK4-R D4 | 435 |
| 700 | 16 | 430 | 292 | 540 | 671 | 838 | 511 | 653 | 190 | 313 | 370 | 467 | 397 | 484 | TK5-R D5 | 610 |
| 750 | 16 | 450 | 305 | 580 | 710 | 882 | 542 | 697 | 190 | 313 | 370 | 496 | 397 | 484 | TK5-R D5 | 707 |
| 800 | 16 | 470 | 318 | 615 | 766 | 928 | 530 | 743 | 190 | 313 | 370 | 525 | 397 | 484 | TK5-R D5 | 775 |
| 900 | 16 | 510 | 330 | 675 | 861 | 1007 | 618 | 802 | 242 | 365 | 370 | 573 | 432 | 519 | TK6-R D6 | 1020 |
| 1000 | 16 | 550 | 410 | 740 | 951 | 1039 | 650 | 854 | 242 | 365 | 370 | 638 | 432 | 519 | TK6-R D6 | 1285 |
| 1100 | 16 | 590 | 440 | 750 | 1053 | 1091 | 720 | 906 | 242 | 365 | 370 | 696 | 432 | 519 | TK6-R D6 | 1545 |
| 1200 | 16 | 630 | 470 | 900 | 1147 | 1251 | 782 | 1008 | 290 | 515 | 485 | 753 | 538 | 625 | TK7-R D7 | 2285 |
| 1300 | 16 | 670 | - | 988 | 1248 | 1301 | 867 | 1059 | 290 | 515 | 485 | 803 | 538 | 625 | TK7-R D7 | 2867 |
| 1400 | 16 | 710 | 530 | 1160 | 1345 | 1349 | 917 | 1101 | 290 | 515 | 485 | 848 | 538 | 625 | TK7-R D7 | 2870 |
| 1500 | 16 | 750 | - | 1153 | 1435 | 1385 | 986 | 1147 | 431 | 656 | 485 | 930 | 681 | 768 | TK8-R D8 | 4055 |
| 1600 | 16 | 790 | 600 | 1250 | 1537 | 1508 | 1115 | 1265 | 431 | 656 | 485 | 975 | 681 | 768 | TK8-R D8 | 4590 |
| 1800 | 16 | 870 | 670 | 1220 | 1722 | 1630 | 1217 | 1387 | 431 | 656 | 485 | 1080 | 681 | 768 | TK8-R D8 | 5580 |
| 2000 | 16 | 950 | 760 | 1300 | 1901 | 1769 | 1303 | 1526 | 431 | 656 | 485 | 1193 | 681 | 768 | TK8-R D8 | 8500 |
| 2200 | 16 | 1030 | - | 1500 | 2085 | 1975 | 1460 | 1672 | 519 | 744 | 605 | 1290 | 898 | 998 | TK10-R D10 | 11220 |
| 2400 | 16 | 1110 | - | 1630 | 2308 | 2095 | 1593 | 1792 | 519 | 744 | 605 | 1390 | 898 | 998 | TK10-R D10 | 14650 |
| 2500 | 16 | 1150 | - | 1650 | 2396 | 2122 | 1610 | 1819 | 519 | 744 | 605 | 1440 | 898 | 998 | TK10-R D10 | 16040 |

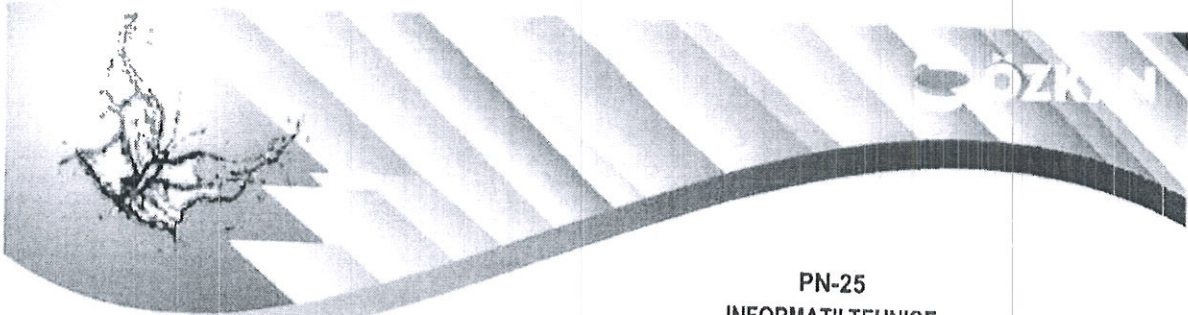
* Vă rugăm să ne contactați pentru alte dimensiuni și rate de presiune.

www.oz-kan.com.fr

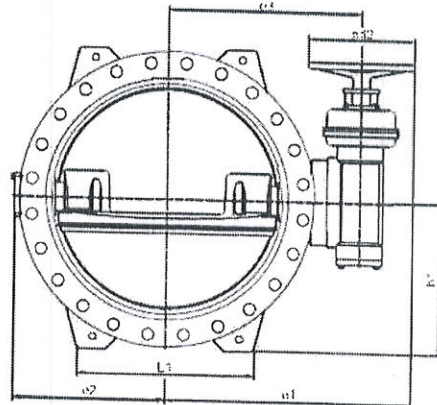
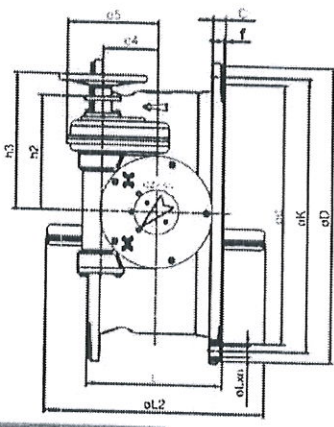
Toate dimensiunile, fișe tehnice, dimensiuni (mm) și greutatea (toată greutatea specificată în kg) nu sunt obligatorii. Pot fi schimbate.

Robinet cu clapa fluture | 07

CONFORM CU ORIGINALUL



PN-25
INFORMATII TEHNICE

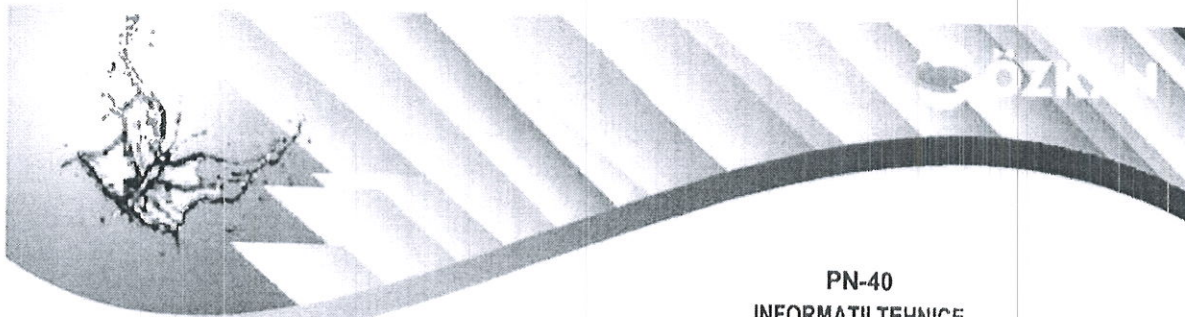


Robineti fluture

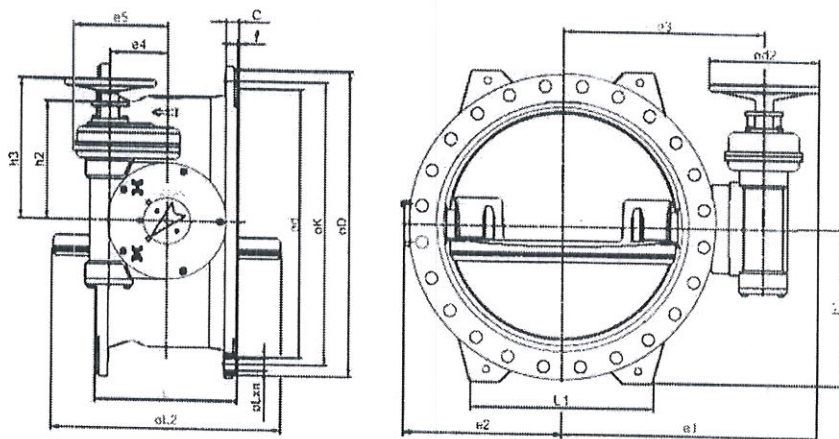
| DN | PN | | | L1 | L2 | e1 | e2 | e3 | e4 | e5 | Ød2 | h1 | h2 | h3 | REGULATOR | SERIE/RAE |
|------|----|------|-----|------|------|------|------|------|-----|-----|-----|------|-----|-----|------------|-----------|
| 150 | 25 | 210 | 140 | - | 152 | 378 | 151 | 255 | 71 | 134 | 245 | 150 | 136 | 212 | TK1 | 55 |
| 200 | 25 | 230 | 152 | 200 | 199 | 462 | 198 | 339 | 95 | 158 | 245 | 190 | 163 | 239 | TK2 | 80 |
| 250 | 25 | 250 | 165 | 305 | 251 | 556 | 250 | 371 | 110 | 175 | 370 | 223 | 184 | 271 | TK3 | 160 |
| 300 | 25 | 270 | 178 | 340 | 281 | 591 | 277 | 406 | 110 | 198 | 370 | 253 | 285 | 372 | TK3-R D4 | 185 |
| 350 | 25 | 290 | 190 | 320 | 336 | 619 | 294 | 434 | 110 | 198 | 370 | 288 | 285 | 372 | TK3-R D4 | 216 |
| 400 | 25 | 310 | 216 | 375 | 379 | 663 | 342 | 476 | 156 | 245 | 370 | 320 | 334 | 420 | TK4-R D4 | 295 |
| 450 | 25 | 330 | 222 | 470 | 427 | 709 | 382 | 524 | 156 | 245 | 370 | 345 | 334 | 420 | TK4-R D4 | 352 |
| 500 | 25 | 350 | 229 | 430 | 474 | 745 | 410 | 560 | 190 | 313 | 370 | 375 | 397 | 484 | TK5-R D5 | 475 |
| 600 | 25 | 390 | 267 | 530 | 567 | 798 | 461 | 611 | 190 | 313 | 370 | 433 | 397 | 484 | TK5-R D5 | 655 |
| 700 | 25 | 430 | 292 | 640 | 663 | 877 | 535 | 682 | 242 | 365 | 370 | 490 | 432 | 519 | TK6-R D6 | 900 |
| 750 | 25 | 450 | 305 | 600 | 710 | 907 | 542 | 722 | 242 | 365 | 370 | 526 | 432 | 519 | TK6-R D6 | 96C |
| 800 | 25 | 470 | 318 | 575 | 747 | 974 | 590 | 789 | 242 | 365 | 370 | 560 | 432 | 519 | TK6-R D6 | 1184 |
| 900 | 25 | 510 | 330 | 745 | 854 | 1114 | 685 | 871 | 290 | 515 | 485 | 610 | 538 | 625 | TK7-R D7 | 1800 |
| 1000 | 25 | 550 | 410 | 760 | 952 | 1171 | 741 | 928 | 290 | 515 | 485 | 675 | 538 | 625 | TK7-R D7 | 2120 |
| 1200 | 25 | 630 | 470 | 880 | 1146 | 1286 | 824 | 1043 | 290 | 515 | 485 | 775 | 538 | 625 | TK7-R D7 | 2780 |
| 1400 | 25 | 710 | 530 | 1010 | 1345 | 1476 | 964 | 1233 | 431 | 656 | 485 | 888 | 681 | 768 | TK8-R D8 | 4210 |
| 1600 | 25 | 790 | 600 | 1210 | 1543 | 1603 | 1110 | 1300 | 431 | 656 | 605 | 1000 | 809 | 909 | TK8-R D8 5 | 5640 |
| 1800 | 25 | 870 | 670 | 1345 | 1678 | 1833 | 1255 | 1530 | 519 | 744 | 605 | 1116 | 898 | 998 | TK10-R D10 | 9100 |
| 2000 | 25 | 950 | 760 | 1400 | 1886 | 1886 | 1353 | 1583 | 519 | 744 | 605 | 1228 | 898 | 998 | TK10-R D10 | 1156C |
| 2500 | 25 | 1150 | - | 1785 | 2405 | 2121 | 1615 | 1819 | 519 | 744 | 605 | 1530 | 898 | 998 | TK10-RD10 | 17805 |

* Vă rugăm să ne contactați pentru alte dimensiuni și rate de presiune.

CONFORM CU ORIGINALUL



PN-40
INFORMATII TEHNICE



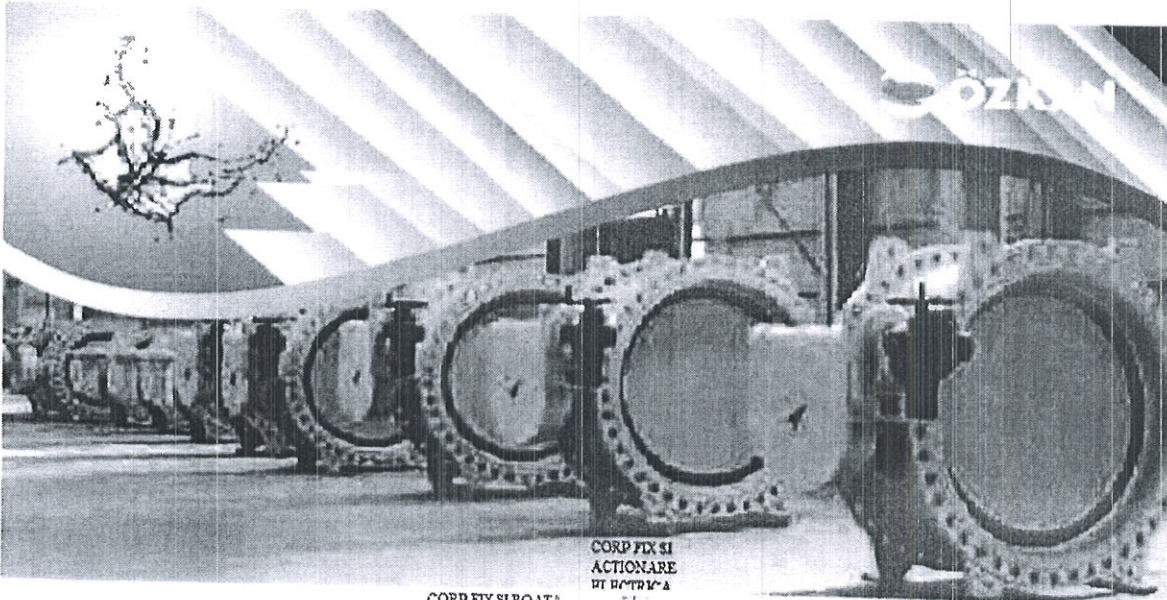
Robinet fluture

| DN | PN | L Seri 14 | l1 | l2 | e1 | e2 | e3 | e4 | e5 | Ød1 | h1 | h2 | h3 | REDUCTOR | GREUTATE |
|------|----|--------------|------|------|------|------|------|-----|-----|-----|------|-----|-----|--------------|----------|
| 150 | 40 | 210 | - | 152 | 378 | 151 | 255 | 71 | 134 | 245 | 150 | 136 | 212 | TK1 | 55 |
| 200 | 40 | 230 | 200 | 199 | 462 | 198 | 389 | 95 | 158 | 245 | 198 | 163 | 239 | TK2 | 119 |
| 250 | 40 | 250 | 305 | 251 | 579 | 250 | 394 | 110 | 198 | 370 | 235 | 285 | 372 | TK3-R D4 | 180 |
| 300 | 40 | 270 | 340 | 281 | 610 | 277 | 425 | 110 | 198 | 370 | 268 | 285 | 372 | TK3-R D4 | 210 |
| 350 | 40 | 290 | 360 | 336 | 631 | 294 | 446 | 156 | 245 | 370 | 300 | 334 | 420 | TK4-R D4 | 296 |
| 400 | 40 | 310 | 380 | 379 | 696 | 342 | 511 | 156 | 245 | 370 | 340 | 334 | 420 | TK4-R D4 | 360 |
| 450 | 40 | 330 | 470 | 422 | 716 | 386 | 531 | 190 | 313 | 370 | 353 | 357 | 484 | TK5-R D5 | 490 |
| 500 | 40 | 350 | 440 | 467 | 762 | 412 | 577 | 190 | 313 | 370 | 388 | 397 | 484 | TK5-R D5 | 545 |
| 600 | 40 | 390 | 530 | 567 | 828 | 461 | 643 | 190 | 313 | 370 | 455 | 397 | 484 | TK5-R D5 | 740 |
| 700 | 40 | 430 | 640 | 663 | 877 | 535 | 692 | 242 | 365 | 370 | 508 | 432 | 519 | TK6-R D6 | 1079 |
| 800 | 40 | 470 | 568 | 748 | 1068 | 592 | 825 | 290 | 515 | 485 | 580 | 538 | 625 | TK7-R D7 | 1828 |
| 900 | 40 | 510 | 745 | 855 | 1114 | 685 | 871 | 290 | 515 | 485 | 645 | 538 | 625 | TK7-R D7 | 2280 |
| 1000 | 40 | 550 | 800 | 949 | 1188 | 725 | 945 | 290 | 515 | 485 | 695 | 538 | 625 | TK7-R D7 | 2530 |
| 1200 | 40 | 630 | 880 | 1126 | 1316 | 883 | 1073 | 431 | 656 | 485 | 800 | 681 | 768 | TK8-R D8 | 3906 |
| 1400 | 40 | 710 | 1110 | 1314 | 1536 | 968 | 1233 | 431 | 656 | 605 | 915 | 809 | 909 | TK8-R D8 S | 5340 |
| 1600 | 40 | 790 | 1250 | 1485 | 1733 | 1133 | 1430 | 519 | 744 | 605 | 1030 | 898 | 998 | TK10-R D10 S | 8820 |
| 1800 | 40 | 870 | 1350 | 1674 | 1833 | 1318 | 1530 | 519 | 744 | 605 | 1140 | 898 | 998 | TK10-R D10 S | 11480 |

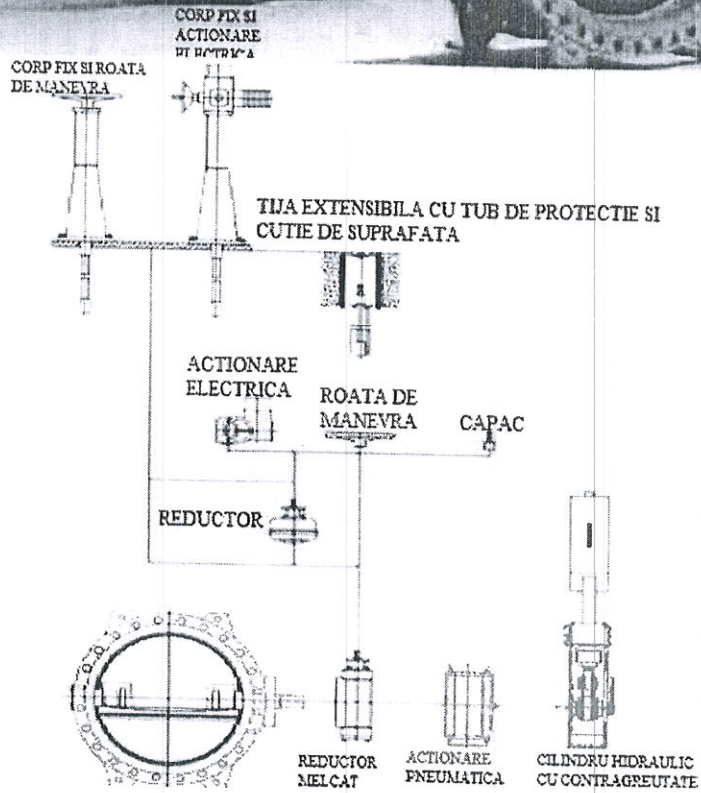
* Vă rugăm să ne contactați pentru alte dimensiuni și rate de presiune.

**CONFORM CU
ORIGINALUL**

Handwritten signature or initials.



OPTIUNI DE FUNCTIONARE



Robinet fluture

Robinet clapa fluture pregatit pentru actionare

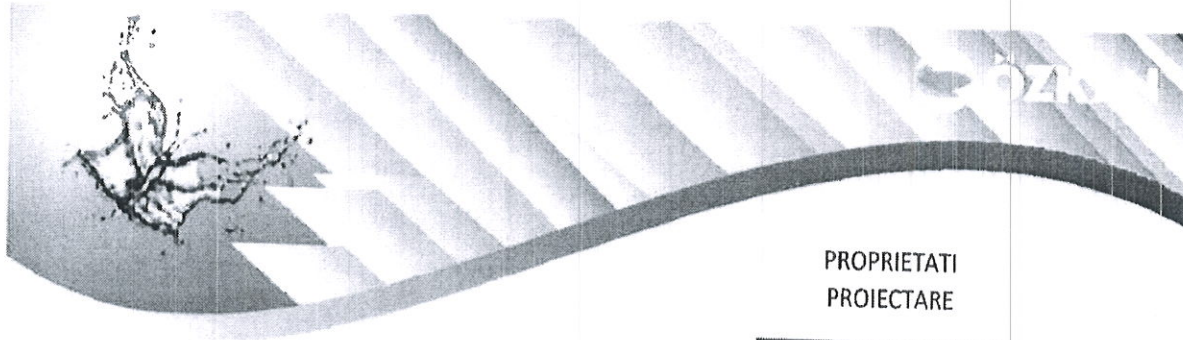
10! Robinet cu clapa fluture

Toate dimensiunile, firele tehnice, dimensiuni (mm) si greutatea (toate greutatele specificate in kg) nu sunt obligatorii. Pot fi schimbate.

www.oz-kan.com.tr

CONFORM CU ORIGINALUL

Handwritten signature or initials.



PROPRIETATI PROIECTARE

Gama TK de reductoare melcate ce au fost proiectate și dezvoltate de ÖZKAN pentru funcționarea robinetilor fluture. Reductoarele melcate oferă o mișcare de un sfert de rotație (90 °) ce este necesară pentru robinetii fluture, iar mișcarea discului este limitată în poziția deschis și închis prin sistemul de piulițe de deplasare.

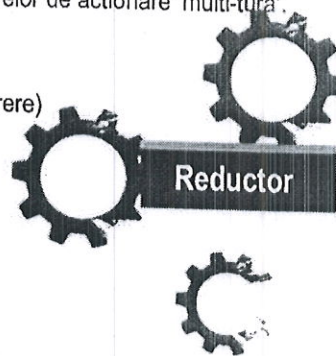
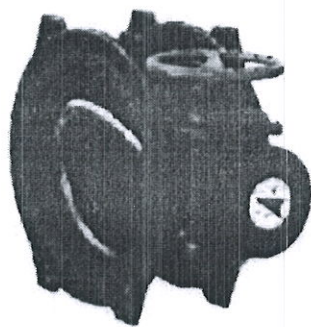
Capătul inferior al tije melcate este filetat și o piuliță se deplasează în sus și în jos pe această tija filetata. La acționarea angrenajului (robinetului) în direcția de deschidere sau închidere, piulița se deplasează, de asemenea, către opritorul de capăt corespunzător și împiedică răsucirea discului robinetului

Proiectarea reductorului cu autoblocare (ireversibila) garanteaza functionarea si etanseitatea corespunzatoare a robinetilor fluture OZKAN.

Noua tipuri de reductoare melcate acopera cerintele de cuplu ale intregii game de robineti fluture.

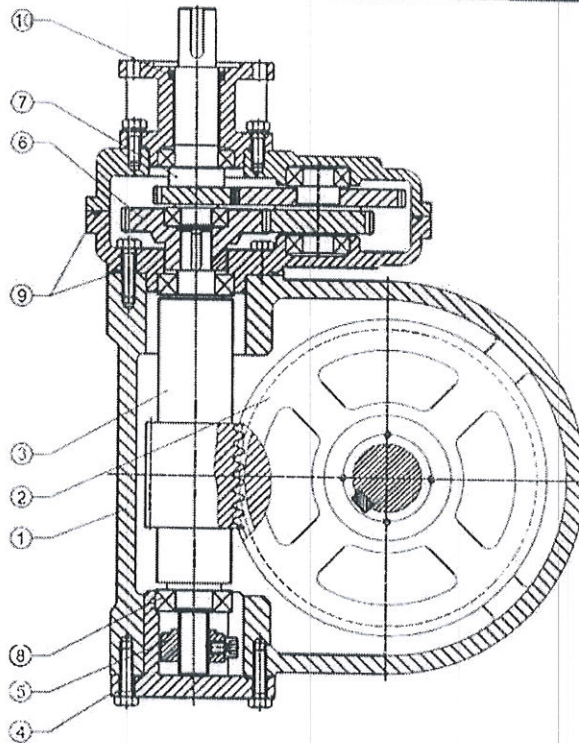
Reductoarele melcate sunt proiectate astfel incat robinetii fluture sa poata fi actionati de un singur operator.

- Design robust.
- Unghi de oscilare setat din fabrica la 90 °. Reglarea opritorului final prin sistemul de piulițe deplasate.
- Puternic, integrat in corpul de fixare a robinetului.
- Fixarea robinetului conform ISO 5211.
- Reductor melcat cu autoblocare cu revenire minima.
- Flansa superioara ISO 5211 pentru montarea dispozitivelor de actionare 'multi-tura'.
- Indicator de pozitie mecanic.
- Protectie carcasa IP 67 (IP 68 optional)
- Inchidere in sensul invers al acelor de ceasornic (la cerere)



CONFORM CU
ORIGINALUL

PROPRIETATILE
MATERIALULUI



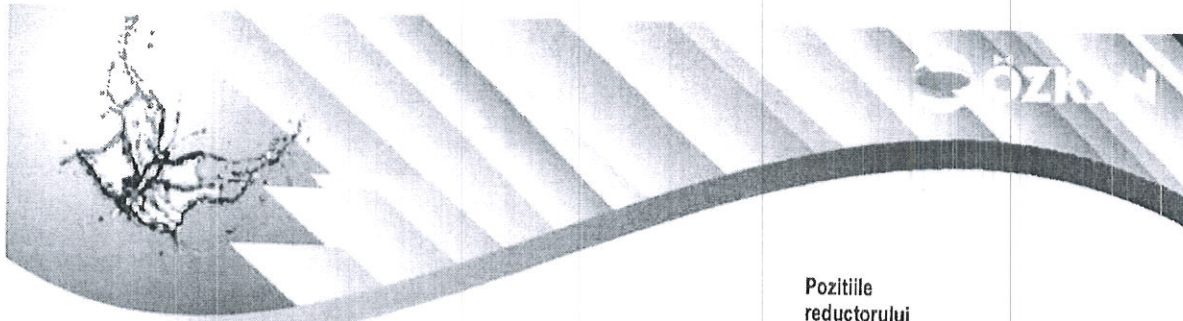
Reductor

| Nr. | DESCRIERE | MATERIAL |
|-----|--------------------------|-----------------------------|
| 1 | Carcasa | Fonta EN-GJL-250 |
| 2 | Roata melcata | Fonta ductila EN-GJS-500-7 |
| 3 | Tija melcata | Otel C 40 |
| 4 | Capac | Fonta ductila EN-GJS-400-15 |
| 5 | Piulita deplasata | Otel 42CrMo4 |
| 6 | Roata dintata cilindrica | Fonta ductila EN-GJS-600-3 |
| 7 | Pinion | Otel C 40 |
| 8 | Rulment | - |
| 9 | O-ring | NBR |
| 10 | Etansare radiala | NBR |

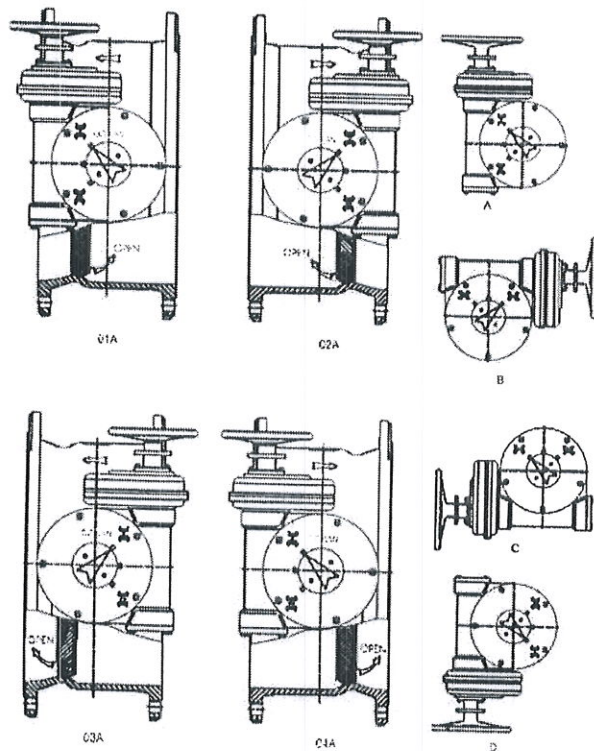
* Alte clase de materiale valabile la cerere.

**CONFORM CU
ORIGINALUL**

OK



Pozitiile
reductorului



Reductor

| Tip | Raport | | | | RAPORT CONVERSIE CUPLU | TURE PENTRU INCHIDERE | CONEXIUNEA ROBINETULUI ISO 5211 | GREUTATE |
|-------|-------------------------|--------------------|-------------------------|----------|------------------------------|-----------------------------|---------------------------------------|----------|
| | Angrenaj de reducere | Reductor melcat | Angrenaj de reducere | TOTAL | | | | |
| TK 1 | — | 45 : 1 | — | 45 : 1 | 9,9 | 11,25 | F 10 | 14 |
| TK 2 | — | 40 : 1 | — | 40 : 1 | 9,6 | 10 | F 12 | 29 |
| TK 3 | — | 50 : 1 | — | 50 : 1 | 12 | 12,50 | F 14 | 36 |
| TK 3 | RD 4 | 50 : 1 | 2,90 : 1 | 145 : 1 | 31,5 | 36,25 | F 14 | 53 |
| TK 4 | RD 4 | 60 : 1 | 2,90 : 1 | 174 : 1 | 45 | 43,50 | F 16 | 81 |
| TK 5 | RD 5 | 60 : 1 | 6,94 : 1 | 416 : 1 | 119,5 | 104 | F 25 | 133 |
| TK 6 | RD 6 | 65 : 1 | 11,84 : 1 | 770 : 1 | 220 | 192,50 | F 30 | 191 |
| TK 7 | RD 7 | 60 : 1 | 24,17 : 1 | 1450 : 1 | 418 | 362,50 | F 35 | 436 |
| TK 8 | RD 8 | 93 : 1 | 24,17 : 1 | 2248 : 1 | 648 | 562 | F 40 | 720 |
| TK 8 | RD 85 | 93 : 1 | 67,68 : 1 | 6294 : 1 | 1806 | 1574 | F 40 | 750 |
| TK 10 | RD 15 | 89 : 1 | 60,45 : 1 | 5380 : 1 | 1615 | 1345 | F 48 | 1610 |

www.oz-kan.com.tr

Toate ilustrațiile, fișe tehnice, dimensiuni (mm) și greutăți (toate greutățile specificate în kg) nu sunt obligatorii. Pot fi schimbate.

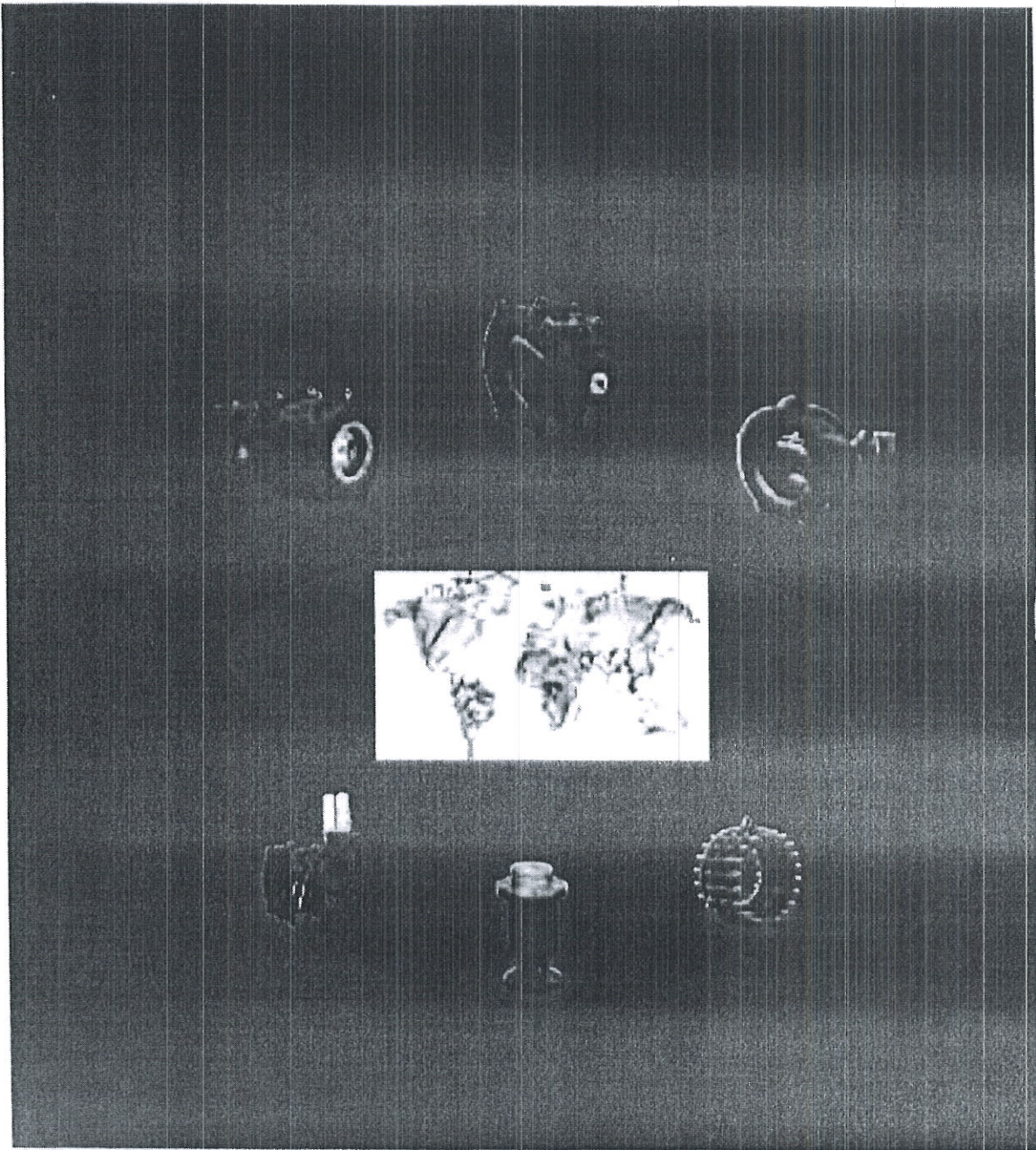
Robinet cu clapă fluture | 13

CONFORM CU
ORIGINALUL

Tocile ilustrațiile, fișele tehnice, dimensiunile (mm) și greutățile (tastele greutățile specifice în kg) nu sunt obligatorii. Pot fi schimbate

**CONFORM CU
ORIGINALUL**





Phone: +90 232 328 06 00 Fax: +90 232 328 06 09 E-mail: info@oz-kan.com.tr
Adress: 10008 St.No:15 Atatürk Organize Sanayi Bölgesi 35620 Çiğli/İZMİR/TURKEY
www.oz-kan.com.tr



CONFORM CU
ORIGINALUL

Handwritten signature or initials.

ÖZKAN



ÖZKAN

BUTTERFLY VALVES



Lead water to the next level.

2

Design : Double Flanged, Double Eccentric

Diameters: from DN 0150 to DN 3000

Pressure Class : PN10, PN16, PN25, PN40

Face to Face : EN 558-1 Series 14, BS5155 Series 13

Medium : Raw Water, Potable Water, Sea Water and other corrosive mediums

Body & Disc : EN GJS 400-15 Ductile Iron

Gearbox : IP67 & IP68

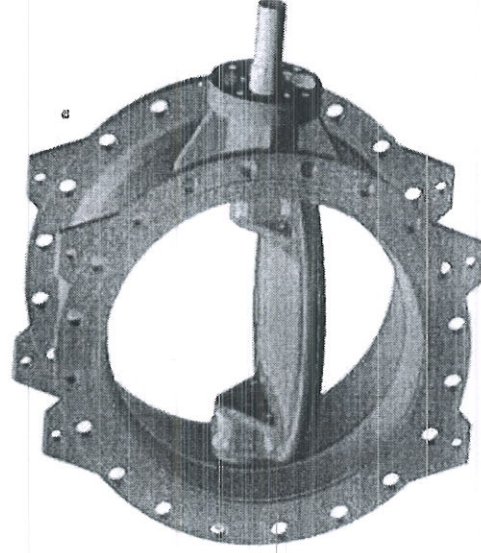
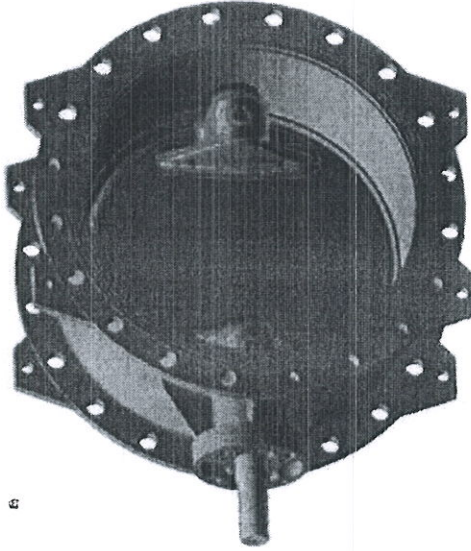
Tests : EN1074 & EN12266

All material combinations, different test and design standards are available on request.

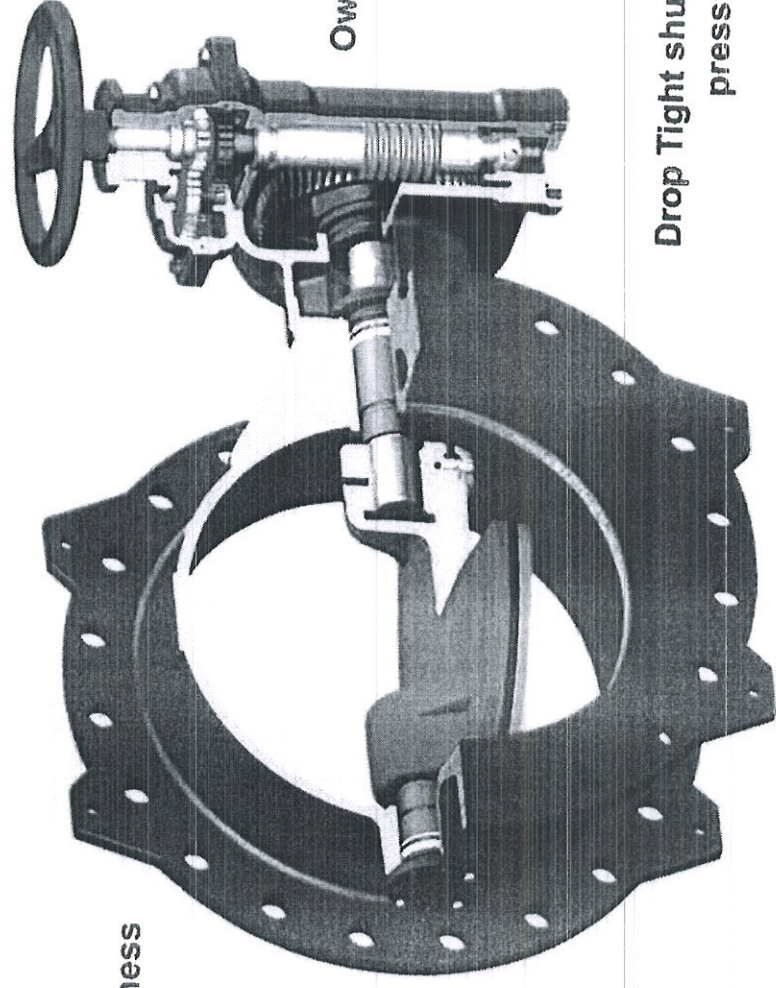
Lead water to the next level.



6



Advantages



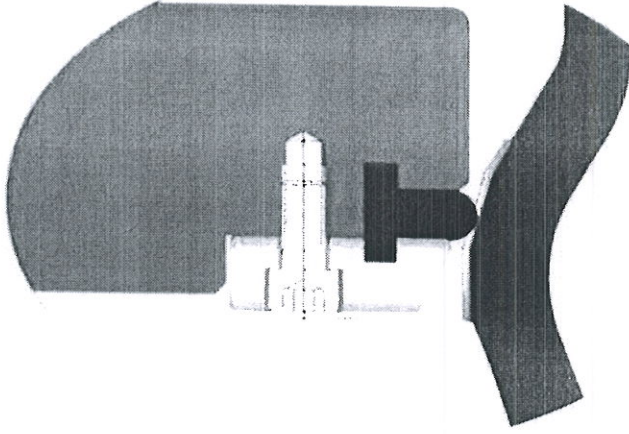
Bi-directional tightness

Own Gearbox Design

Drop Tight shut-off at rated pressure

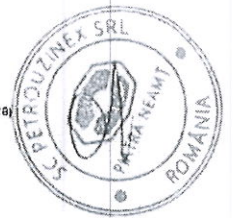
Full-Bore Design



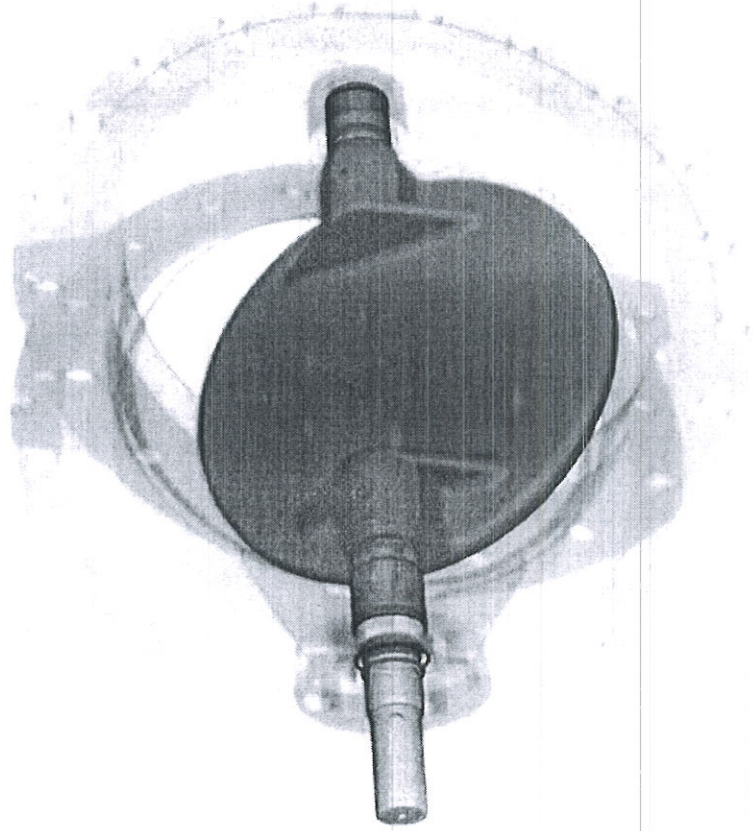


Easily Replaceable Sealing Ring

Lead water to the next level.



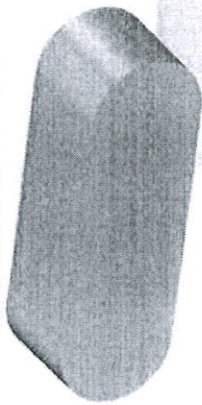
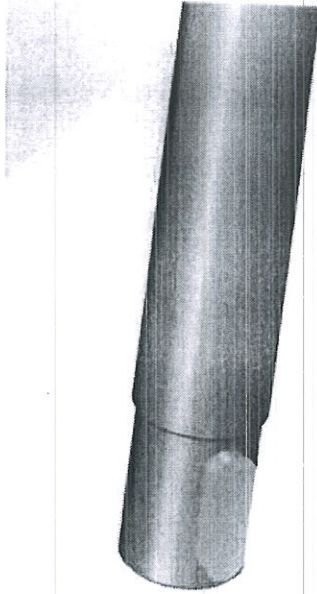
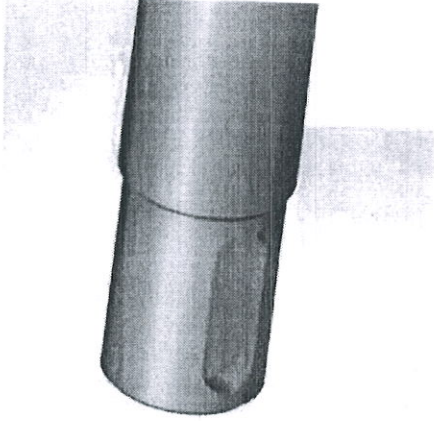
Bronze Bearing Bushes and O-rings



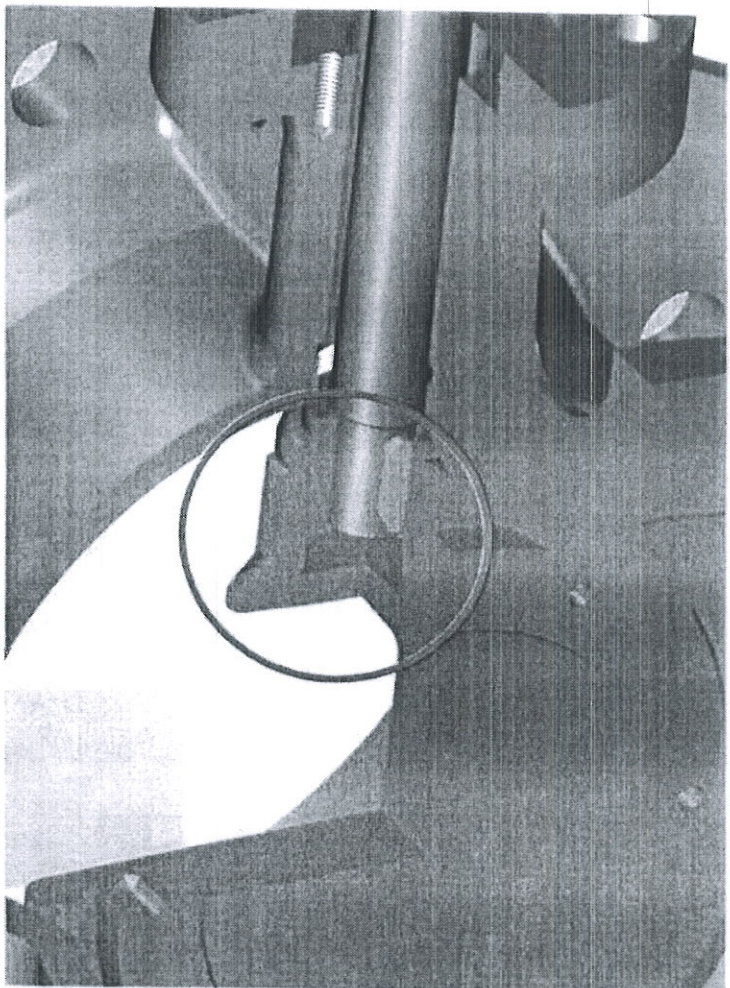
Pratt & Whitney Key

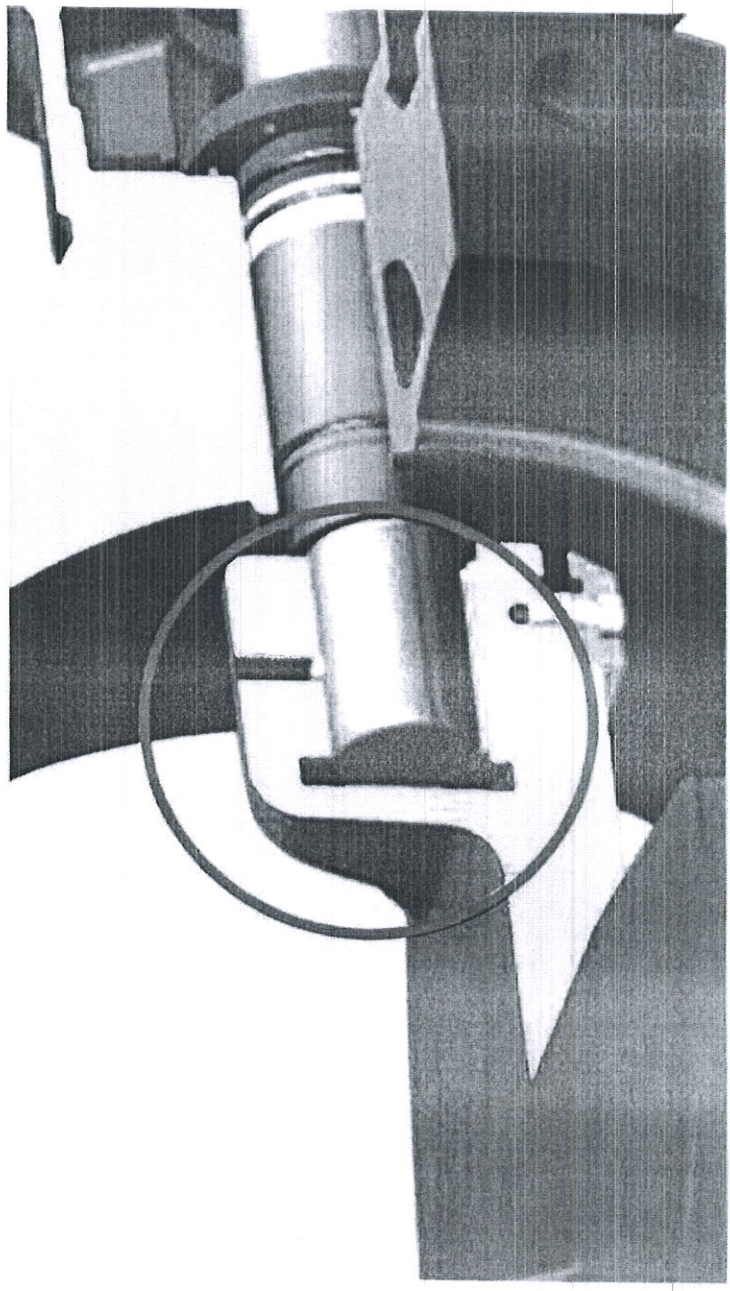


ÖZKAN



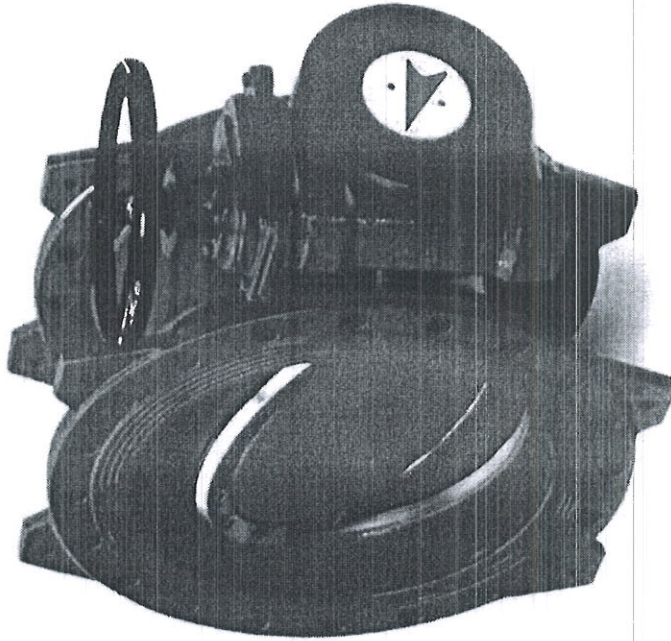
Send water to the next level.





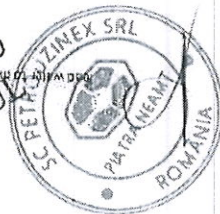
CONFORM CU
ORIGINALUL

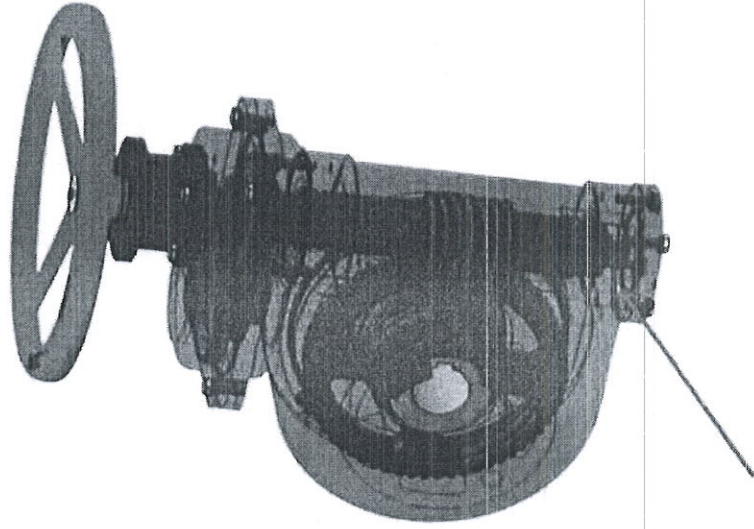




AISI 309
Stainless Steel
Weld Overlay
Seat

CONFORM CU
ORIGINALUL





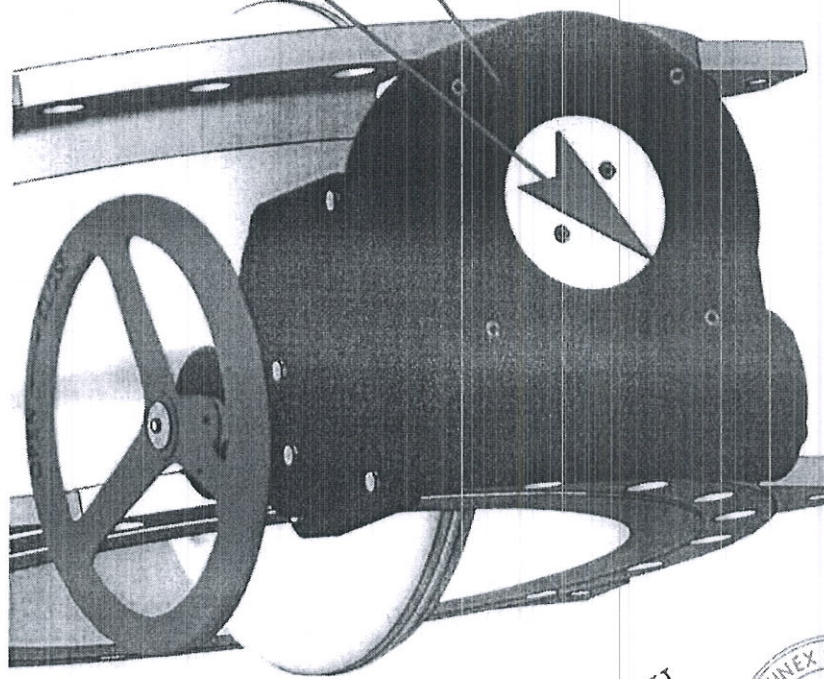
Position indicator

IP67

Gearbox

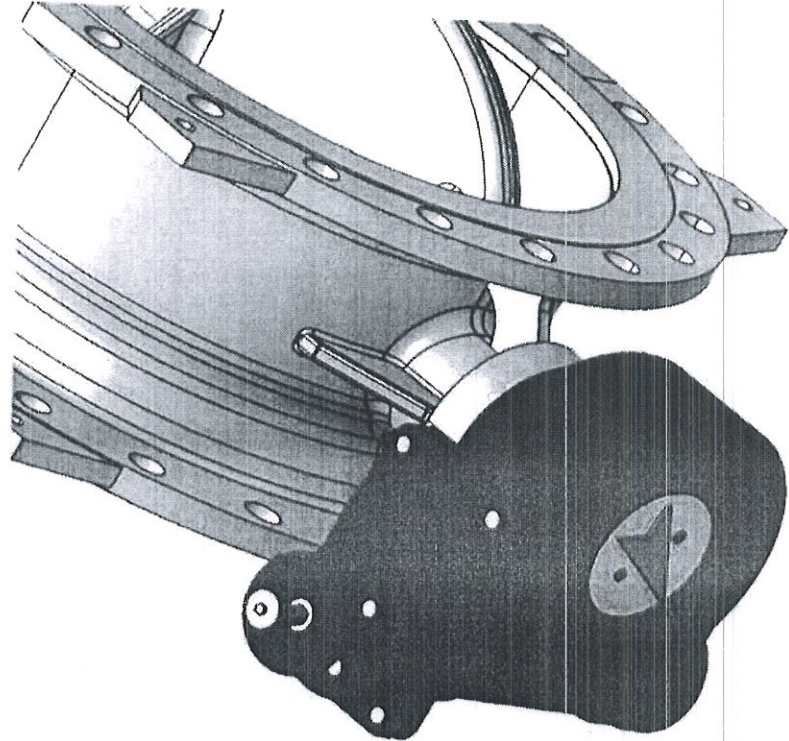
(IP68 can be done upon request)

Adjustment Nut

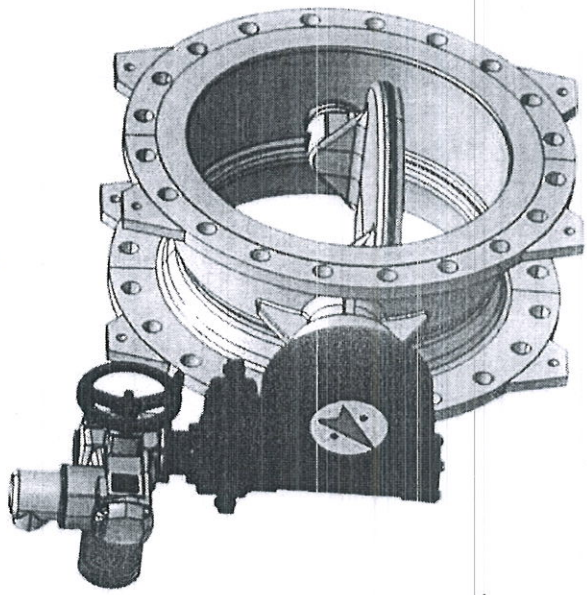


CONFORM CU ORIGINALUL





Actuator
Connection
Flange



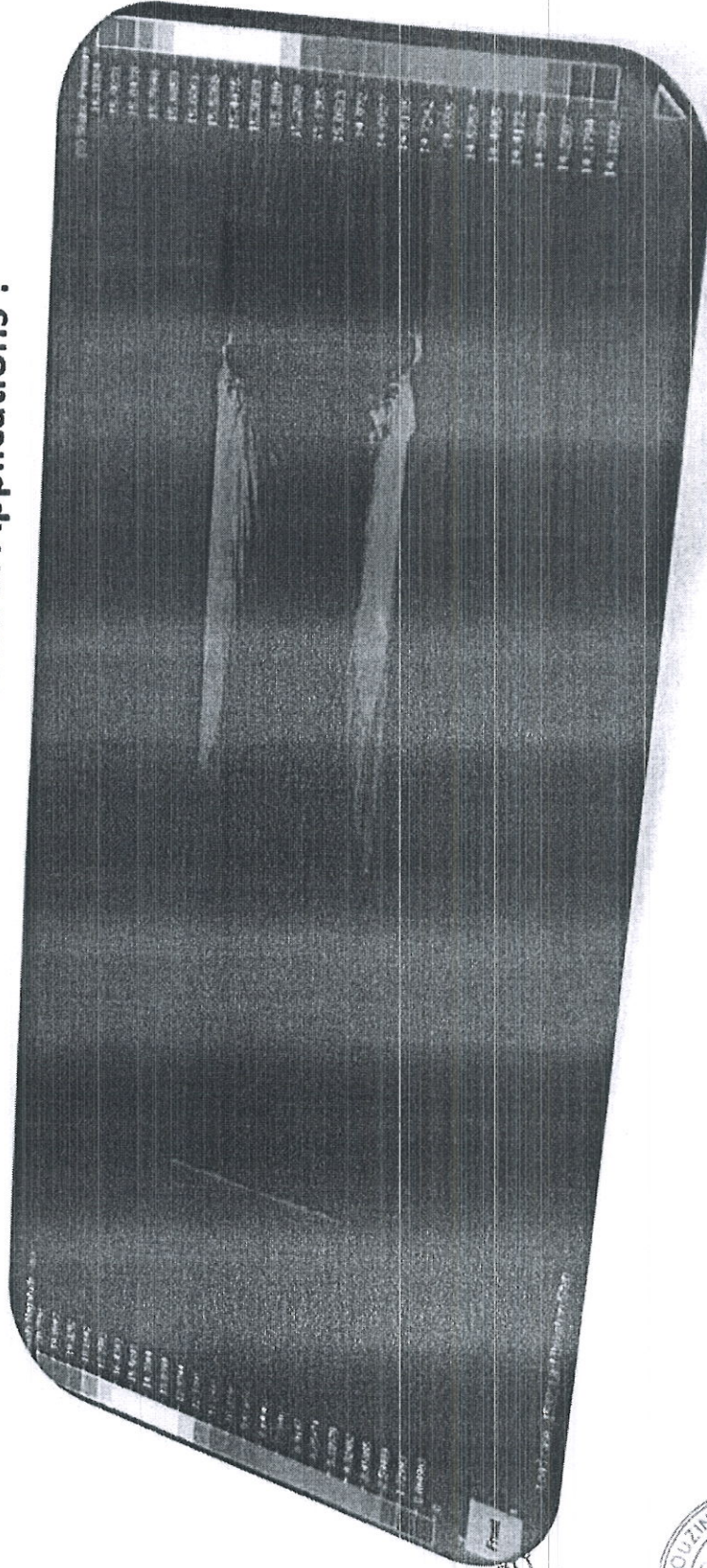
CONFORM CU
ORIGINALULUI



CFD ANALYSIS



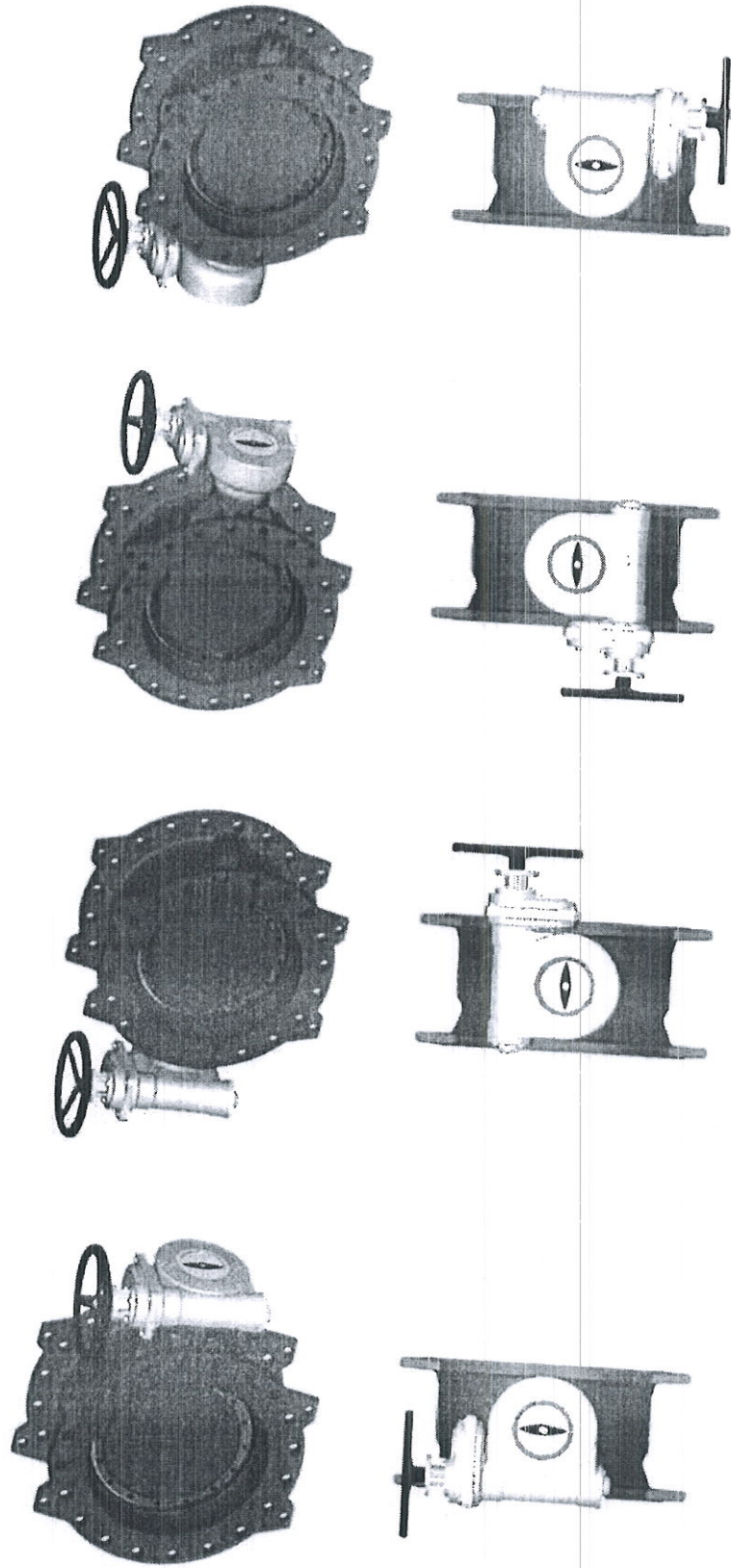
On / Off Applications ? & Control Applications ?



CONFORM CU ORIGINALUL

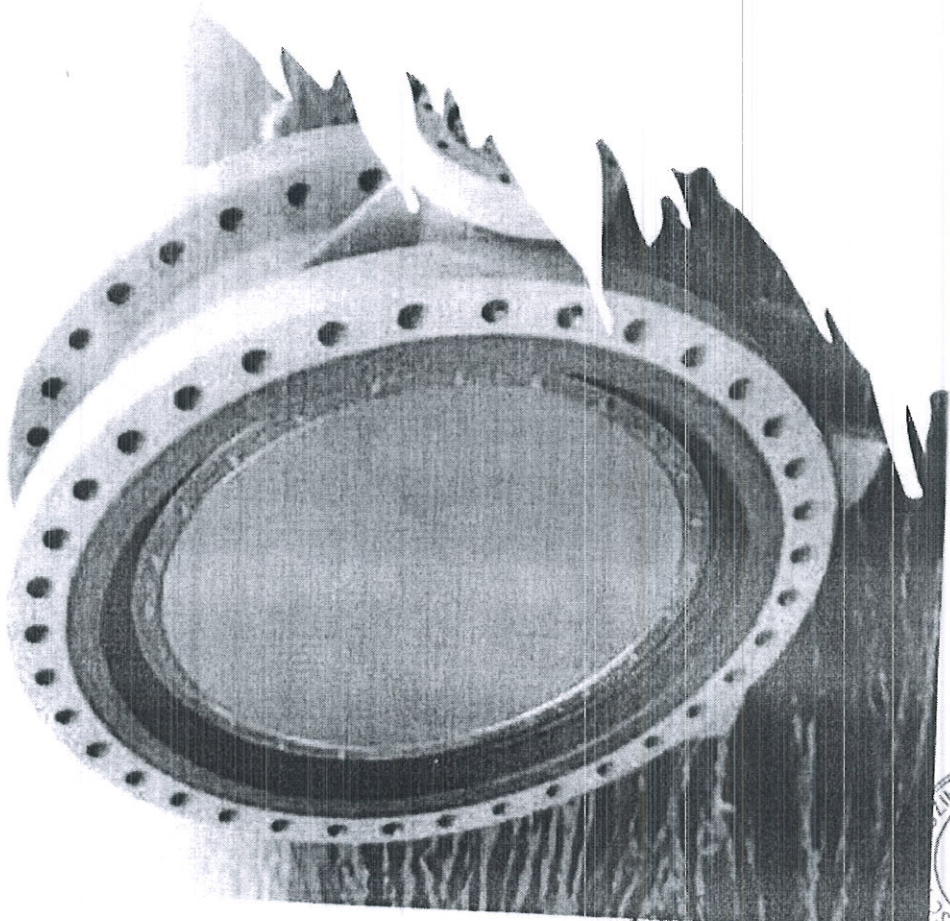


Assembly Positions



lead with the next level.
**CONFORM CU
ORIGINALUL**

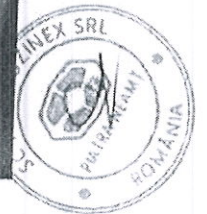




For Corrosive Applications

- Body inside is hard rubber lined for corrosion protection
- The thickness and quality is chosen acc.to customer requirements.
- Disc materials can be Al-Ni-Bronze, Ni-Resist and Stainless Steel
- Shaft Materials can be Monel, Duplex Stainless Steel

CONFIDENTIAL ORIGINAL





Thank you for your attention



CONFORM CU
ORIGINALUL

ready water to the rev





28.02.2022

Subject : Authorization

Özkan Makina Elemanları San. Tic. A.Ş (hereinafter referred to as : 'Öz-Kan') who are subsidiary established and reputable manufacturers of valves and fittings for the water distribution over 38 years having factories 10032 str. No:27 and 10008 str. No :15 A.O.S.B 35620 ÇİĞLİ- IZMIR /TURKEY, do hereby authorize '**PETROUZINEX, (Piatra- Neamt, Bd. General Nicolae Dascalescu nr. 259A-261- Romania)**' to distribute 'Öz-Kan' products on it's own behalf in the territory of **ROMANIA**.

'**PETROUZINEX**' is authorized to promote, distribute, sale, offer technical assistance and after sales services on it's own behalf for 'Öz-Kan' product range.

'**Öz-kan**' undertakes to support '**Petrouzinex**' with regard to tender projects comprised by this authorization. '**Petrouzinex**' however, shall not act in the name or on account of Öz-kan.

This authorization is regarded for time being non-exclusive basis and valid for all projects initiated and shall be appointed as exclusive authorization at a later stage. This authorization is valid until 28th February 2023. A renewal authorization is subject to a written confirmation of Özkan.

Semih Akşit
Area Sales Manager

ÖZ-KAN
Makina Elemanları San. ve Tic. A.Ş.
10032 Str. No:27 A.O.S.B. Çiğli
Tel: 0732 328 06 00 IZMIR
Hasan Tahsin V.D. 662 079 5145



ÖZ-KAN Makina Elemanları San. ve Tic. A.Ş.

10008 Sk. No.15 Atatürk Org. San. Böl. 35620 Çiğli – IZMIR/TÜRKİYE Tel. : (90) 232 3280600 (PBX) Fax:(90) 232 3280609 e-mail:info@ozkan.com.tr

**CONFORM CU
ORIGINALULUI**