



INSTITUT GUMÁRENSKÉ TECHNOLOGIE A TESTOVÁNÍ, A.S.  
RUBBER TECHNOLOGY AND TESTING INSTITUTE, Plc.  
INSTITUT FÜR GUMMITECHNOLOGIE UND PRÜFWESEN, A.G.  
A.O. «ИНСТИТУТ ТЕХНОЛОГИИ РЕЗИНЫ И ИСПЫТАНИЙ»

Společnost je zapsána v obchodním rejstříku vedeném Krajským soudem v Brně, oddíl B, vložka 818



Zlín 23<sup>rd</sup> January 2025

E8\*54R00/26\*3500\*00

PETLAS TIRE INDUSTRY  
AND TRADE COMPANY  
Kindam Mah.  
Ankara-Kayseri Cad. No.2/1  
40200 Kirsehir, TURKEY

**Communication concerning the approval and notification of approval number and inspection report issued by Inspection body IGTT**

Tyre type fully complies requirements of ECE/UN R54.

Enclosed you will find the Communication concerning the approval of your tyres according to ECE/UN Regulation No. 54

On the base of this approval you are entitled to produce in your factory tyres of the dimension:

**LT265/65R17 STARMAXX MOUNTTERRA A/T 120/117S**

with the approval number : **E8 003500**  
date of inspection : **23<sup>rd</sup> January 2025**  
inspector's name : **Václav Hořelka**

Sincerely yours,

IGTT a.s.  
Tyre Approval Department  
Šternberská 446, Louky  
763 02 Zlín, Czech Republic  
IČ/D: 46900080 DIČ/VAT: CZ46900080

**Václav Hořelka**  
Head Of Tyre Approval Department  
Head Of Inspection Body IGTT

Page 1 / 1

**Ministerstvo dopravy České republiky**  
**Ministry of Transport of the Czech Republic**  
Nábřeží L. Svobody 12, 110 15 Praha 1, Czech Republic

---

OSVĚDČENÍ o <sup>(1)</sup>:

COMMUNICATION concerning <sup>(1)</sup>:



**UDĚLENÍ HOMOLOGACE**

ROZŠÍŘENÍ HOMOLOGACE  
ZAMÍTNUTÍ HOMOLOGACE  
ODEBRÁNÍ HOMOLOGACE  
DEFINITIVNÍM UKONČENÍ VÝROBY

**APPROVAL GRANTED**

APPROVAL EXTENDED  
APPROVAL REFUSED  
APPROVAL WITHDRAWN  
PRODUCTION DEFINITELY DISCONTINUED

**typu pneumatiky pro motorová vozidla podle Předpisu č. 54**  
**of a type of pneumatic tyre for motor vehicles pursuant to UN Regulation No. 54**

Homologace č.:

Approval No.: **E8\*54R00/26\*3500\*00**

Rozšíření č.:

Extension No.: **N/A**

- |        |  |   |   |
|--------|--|---|---|
| 1.     | Jméno a adresa výrobce<br>Manufacturer's name and address  | : | <b>PETLAS TIRE INDUSTRY<br/>AND TRADE COMPANY<br/>Kindam Mah.<br/>Ankara-Kayseri Cad. No.2/1<br/>40200 Kirsehir, TURKEY</b>                     |
| 2.     | Označení typu pneumatiky <sup>(2)</sup><br>Tyre type designation <sup>(2)</sup>  | : |   |
| 2.1.   | Značka(y) / Obchodní značka(y)<br>Brand name(s) / Trademark(s)   | : | <b>STARMAXX</b>   |
| 2.2.   | Obchodní popis(y) / Obchodní jméno(a)<br>Trade description(s) / Commercial name(s)   | : | <b>MOUNTTERRA A/T</b>   |
| 3.     | Název a adresa zástupce výrobce<br>(je-li potřebné)<br>If applicable, name and address of<br>manufacturer's representative | : | <b>N/A</b>  |
| 4.     | Souhrnný popis<br>Summarized description   | : |   |
| 4.1.   | Označení rozměru pláště<br>Tyre size designation   | : | <b>LT265/65R17</b>  |
| 4.2.   | Kategorie užití<br>Category of use   | : | <del>normální</del> / <b>zimní</b> / <del>speciální</del> <sup>(1)</sup><br><del>normal</del> / <b>snow</b> / <del>special</del> <sup>(1)</sup> |
| 4.3.   | Konstrukce<br>Structure  | : | <del>diagonální</del> / <b>radiální</b> <sup>(1)</sup><br><del>diagonal</del> / <b>radial</b> <sup>(1)</sup>                                    |
| 4.4.   | Třída pneumatiky<br>Tyre class   | : | <b>C2 / C3</b> <sup>(1)</sup>   |
| 4.5.   | Kategorie rychlosti<br>Speed category symbol   | : |   |
| 4.5.1. | Nominální<br>Nominal   | : | <b>S</b>  |
| 4.5.2. | Doplňková (je-li potřebné)<br>Additional (if applicable)   | : | <b>N/A</b>  |

- 4.6.** Indexy nosnosti  
Load capacity index
- 4.6.1.** Odpovídající nominální rychlosti : v jednomontáži **120** ve dvojmontáži **117**  
Corresponding to nominal speed : single twinned (dual)
- 4.6.2.** Odpovídající doplňkové rychlosti : v jednomontáži ve dvojmontáži  
Corresponding to additional speed : single **N/A** twinned (dual) **N/A**
- 5.** Technická zkušebna a případně zkušební laboratoř schválená pro účely schvalování nebo pro ověřování shodnosti : **8/E:**  
Technical service and where applicable, test laboratory additional approved purposes of approval or of verification of conformity : **IGTT a.s.**  
**Šternberská 446, Louky,**  
**763 02 Zlín,**  
**CZECH REPUBLIC**
- 6.** Datum protokolu, vydaného touto zkušebnou :  
Date of report issued by that service : **26.12.2024**
- 7.** Číslo protokolu, vydaného touto zkušebnou :  
Number of report issued by that service : **D024-2646**
- 8.** Důvod pro rozšíření (je-li potřebné) :  
Reason (s) of extension (if applicable) : **N/A**
- 9.** Poznámky :  
Any remarks : **N/A**
- 10.** Místo : **Praha**  
Place : **Prague**
- 11.** Datum :  
Date :
- 12.** Podpis :  
Signature :
- 13.** K osvědčení je přiložen seznam dokumentů obsažených v homologačních podkladech uložených u homologačního orgánu, který udělil homologaci, a které lze obdržet na vyžádání.  
Annexed to this communication is a list of documents in the approval file deposited at the Approval Authority which has considered this approval and which can be obtained upon request.

### Seznam příložených dokumentů / List of attached documents

- Žádost o udělení homologace / Request for approval
- Kótovaný profil pneumatiky / Dimensioned tyre cross-section
- Výkresy bočnice a běhounu pláště / Drawing of the tyre sidewalls and tread
- Prohlášení výrobce / Manufacturer's declaration
- Protokol o zkoušce dle bodu 7. / The test report as mentioned in item 7.

- (1) Nehodící se škrtněte  
Delete that which does not apply
- (2) Seznam značek / ochranných známek nebo obchodních popisů / obchodních názvů může být přílohou k tomuto osvědčení  
A list of brand name(s)/trademark(s) or trade description(s)/commercial name(s) may be annexed to this communication

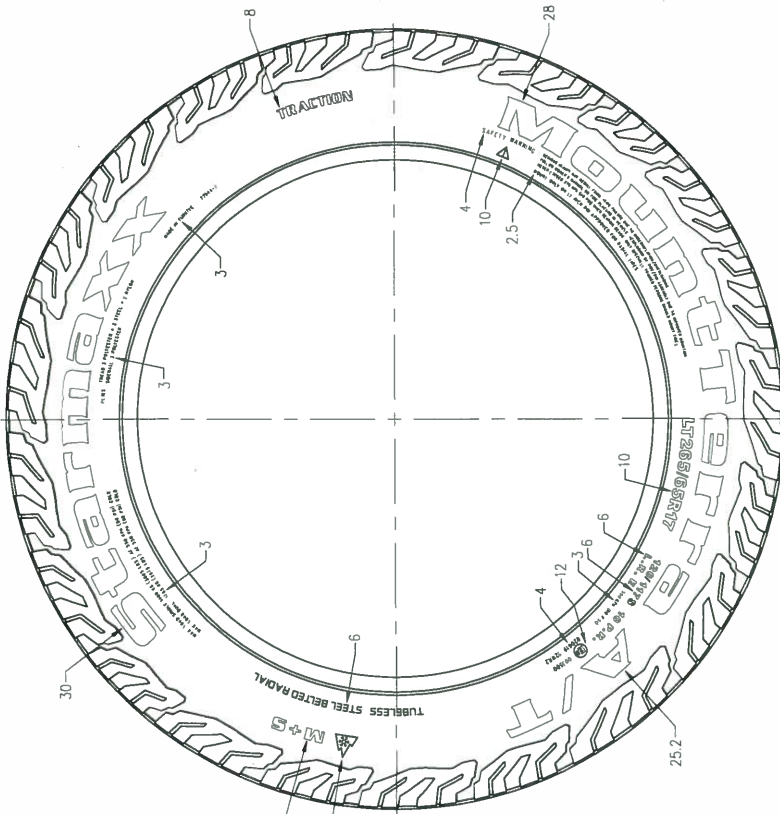
**E8 003500**



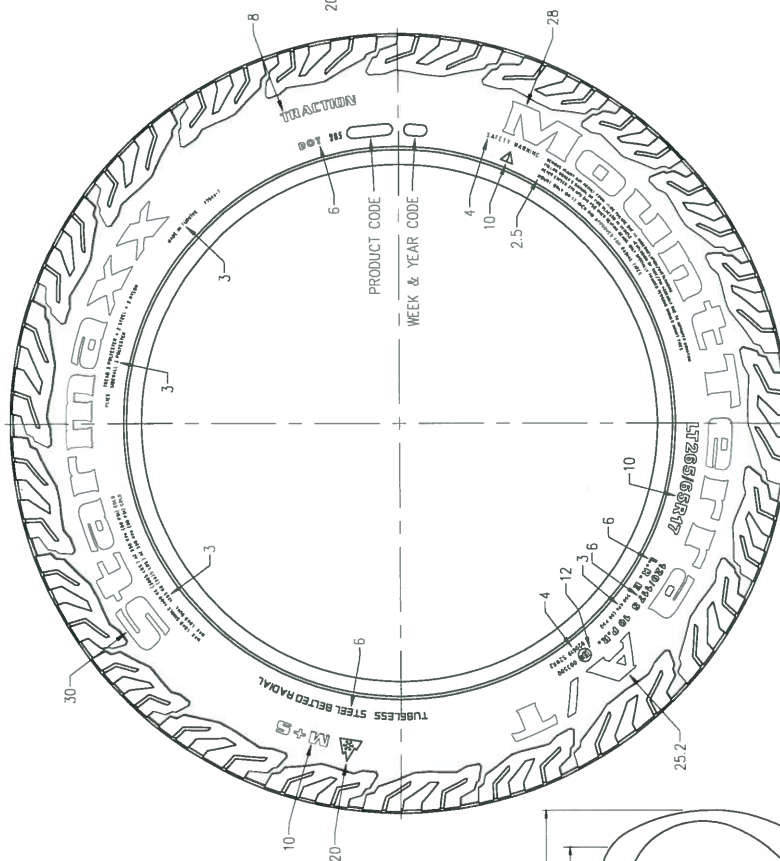
**APPLICATION FOR APPROVAL ECE No. 54 - E8 003500**

|         |  |   |      |
|---------|--|---|------|
| 4.1.1   | Tyre-size designation  | : LT265/65 R17                              |      |
| 4.1.2   | The manufacturer's name  | : PETLAS TIRE INDUSTRY<br>AND TRADE COMPANY |      |
| 4.1.2.1 | The Brand name(s)/trademark(s)   | : STARMAXX                                  |      |
| 4.1.2.2 | The trade description(s)/commercial name(s)  | : MountTerra A/T                            |      |
| 4.1.3   | Category of use (normal/special/snow)  | : SNOW                                      |      |
| 4.1.3.1 | For the tyres belonging to the category of use "special use tyre" those which may bear the inscription M+S or M.S or M&S | : N/A                                       |      |
| 4.1.4   | Structure (diagonal(bias ply)/radial)  | : RADIAL                                    |      |
| 4.1.5   | Speed category   | : S   |      |
| 4.1.6   | The load-capacity indexes  | : 120/117                                   |      |
| 4.1.7   | Tube type / Tubeless   | : TUBELESS                                  |      |
| 4.1.8   | Overall section width,   | 272   | mm   |
|         | Outer diameter   | 776   | mm   |
| 4.1.9   | Factor X   | : 0.70                                      |      |
| 4.1.10  | The rims on which the tyre can be mounted  | : 7 ½ J 8 J 8 ½ J 9 J 9 ½ J                 | inch |
| 4.1.11  | The measuring rim and test rim   | : 8.00                                      | inch |
| 4.1.12  | The inflation pressure for the dimension measurement and for the load/speed endurance test pressure                      | : 550                                       | kPa  |
| 4.1.13  | The additional load/speed combinations   | : NA  |      |

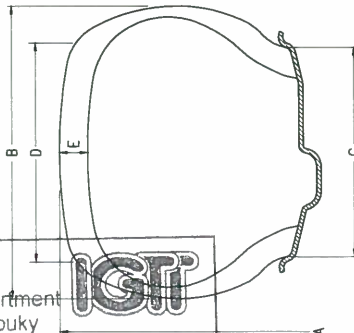
  
**IGTT a.s.**  
Tyre Approval Department  
Šternberská 446, Louky  
763 02 Zlín, Czech Republic  
IČ/ID: 46900080 DIČ/VAT: CZ46900080 



NON SERIAL SIDE

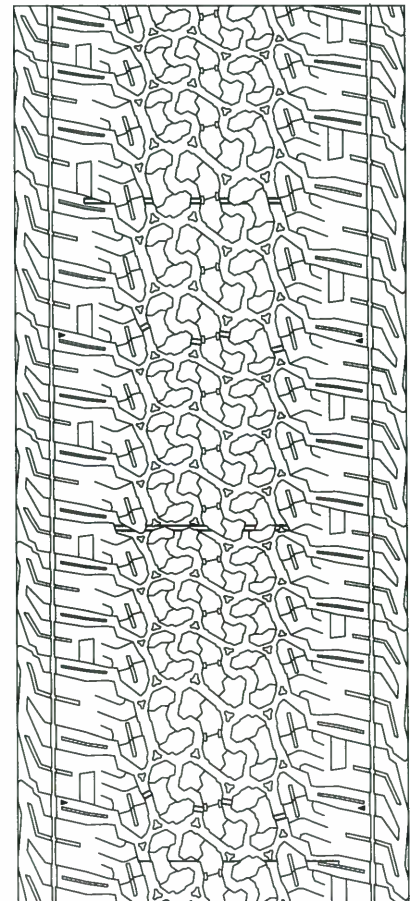


SERIAL SIDE



|                         |                          |  |            |                        |     |     |        |     |      |                                 |                                  |                    |
|-------------------------|--------------------------|--|------------|------------------------|-----|-----|--------|-----|------|---------------------------------|----------------------------------|--------------------|
| S                       | LT265/65R17              | 120/117                                | -          | X                      | 776 | 272 | 8.0    | 218 | 12.5 | 003500                          | 020619 S2WR2                     | -                  |
| S                       | LT265/65R17              | 120/117                                | -          | X                      | 776 | 272 | 8.0    | 218 | 12.5 | 003500                          | 020619 S2WR2                     | -                  |
| HIZ SINIFI (SPEED CAT.) | LASTIK EBADI (TIRE SIZE) | YÜK KAPASİTE İNDEKSİ (LOAD CAP. INDEX) | TIP (TYPE) | (Ç. LASTIK) (TUBELESS) | A   | B   | C      | D   | E    | ONAY NO. (APPROVAL NO.) EB R-54 | ONAY NO. (APPROVAL NO.) EB R-117 | AÇIKLAMA (REMARKS) |
|                         |                          |  |            |                        | mm  | mm  | inches | mm  | mm   |                                 |                                  |                    |

|   |                         |              |  |
|---|-------------------------|--------------|--|
| SIRT DESENİ (TREAD PATTERN) : MOUNTERRA A/T<br>SIRT (TREAD) : 3 POLYESTER + 2 STEEL + 2 NYLON<br>YANAK (SIDEWALL) : 3 POLYESTER | RESİM NO. (DRAWING NO.) | TARİH (DATE) | KONTROL (CHECKED)<br>BAŞS DİĞ. (ENGINEER SIGN) |
|   | PKT-13794A              | 08.01.2025   |  |



*[Handwritten signature]*

**IGTT a.s.**  
Tyre Approval Department  
Šternberské 446, Louky  
763 02 Zlín, Czech Republic  
IC/ID: 4690080 DIC/VAT: CZ4690080





Lastik Sanayi ve Ticaret A.Ş.

Date : 4.01.2025

Petlas Ref. No : 230/008/025

**Subject** : DECLARATION  
**Concern** : Mr. Vaclav Horelka  
Tire Approval Department Head  
IGTT ZLIN

To whom it may concern;

Petlas confirms that the tires which are given below are produced under the same specification and same technology (same raw materials, same green tire specification, same machine, same mold). Only the trade mark of the tires are different.

| BRAND    | SIZE   | APPROVAL NUMBER |
|----------|--|-----------------|
| PETLAS   | LT265/65 R17 Peaklander A/T TL 120/117S 10PR LRE RWL | E8 003501       |
| STARMAXX | LT265/65 R17 MountTerra A/T 120/117S 10PR            | E8 003500       |

Erdin ONAT  
R&D Manager

  
Lastik San. ve Tic. A.Ş.

**PETLAS Lastik Sanayi ve Ticaret A.Ş.**

Kindam Mah. Ankara-Kayseri Cad. No:2/1 KIRŞEHİR Tel: (0386) 252 65 50 Fax: (0386) 252 65 70

iletisim@petlas.com.tr

 Bir Abdulkadir Özcan A.Ş. Kuruluşudur.

137-F-178-02

**IGTT a.s.**

Tyre Approval Department  
Šternberská 446, Louky  
763 02 Zlín, Czech Republic

IČ/D: 46900080 DIČ/VAT: CZ46900080





## PETLAS LASTİK DENEY LABORATUVARI

Kindam Mh. Ankara - Kayseri Cd. No: 2/1  
40100 Merkez / KIRŞEHİR



|  |
|--|
| Test<br>TS EN ISO/IEC 17025<br>AB-1922-T |
| AB-1922-T                                |
| D024-2646                                |
| 012-24                                   |

### Deney Raporu Test Report

|  |   |
|--|---|
| <b>Müşterinin Adı/Adresi</b><br>Customer Name/Address                              | : PETLAS LASTİK SANAYİ ve TİCARET A.Ş. / Kindam Mahallesi Ankara-Kayseri Cad. No:2/1 KIRŞEHİR - TÜRKİYE                 |
| <b>Laboratuvar İşlem Numarası</b><br>Laboratory Order No.                          | : N024-7117   |
| <b>Numunenin Adı Tanımı ve Durumu</b><br>Name, identity and condition of test item | : STARMAXX LT265/65 R17 MountTerra A/T 120/117S 10PR LASTİĞİ<br>STARMAXX LT265/65 R17 MountTerra A/T 120/117S 10PR TYRE |
| <b>Numunenin Kabul Tarihi</b><br>The Date of Receipt of Analysis Item              | : 23.12.2024  |
| <b>Açıklamalar</b><br>Remarks  | : -   |
| <b>Testin Yapıldığı Tarih</b><br>Date of Test                                      | : 26.12.2024  |
| <b>Raporun Sayfa Sayısı</b><br>Number of Pages of the Report                       | : 4   |

Deney laboratuvarı olarak faaliyet gösteren PETLAS LASTİK DENEY LABORATUVARI, TÜRKAK'tan AB-1922-T ile TS EN ISO/IEC 17025:2017 standardına göre akredite edilmiştir.  
PETLAS LASTİK DENEY LABORATUVARI accredited by TÜRKAK under registration number AB-1922-T for TS EN ISO/IEC 17025:2017 as test laboratory.

Türk Akreditasyon Kurumu(TÜRKAK) deney raporlarının tanınırlığı konusunda Avrupa Akreditasyon Birliği(EA) ile Çok Taraflı Anlaşma ve Uluslararası Laboratuvar Akreditasyon Birliği(ILAC) ile karşılıklı tanıma anlaşması imzalamıştır.  
Turkish Accreditation Agency (TURKAK) is a signatory to the European co-operation for Accreditation (EA) Multilateral Agreement (MLA) and to the International Laboratory Accreditation Cooperation (ILAC) Mutual Recognition Arrangement (MRA) for the recognition of test reports

Deney ve /veya ölçüm sonuçları, genişletilmiş ölçüm belirsizlikleri (olması halinde) ve deney metotları bu sertifikanın tamamlayıcı kısmı olan takip eden sayfalarda verilmiştir.

The test and/or measurement results, the uncertainties ( if applicable ) with confidence probability and test methods are given on the following pages which are part of this report.

Analiz sonuçları yalnızca testi yapılan numunelerle ilgilidir. The results are related only to the items tested.

Numuneler müşteri tarafından alınarak laboratuvara teslim edilmiştir. The samples were taken by the customer and delivered to the laboratory.

| Mühür/Kaşe<br>Seal                              | Deney Sorumlusu&Rapor Hazırlayan / Tarih<br>Person in charge of test & Prepared By / Date | Kontrol Eden / Tarih<br>Check/ Date                                  | Onaylayan/ Tarih<br>Approval/ Date                                   |
|---|---|--|--|
| <br>Yayımladığı Tarih/Issue<br>Date: 26.12.2024 | KADİR KARADENİZ / 26.12.2024<br><br>Lastik Deney Süpervizörü<br>Tyre Test Supervisor      | EKREM TURNA / 26.12.2024<br><br>Lastik Deney Şefi<br>Tyre Test Chief | EKREM TURNA / 26.12.2024<br><br>Lastik Deney Şefi<br>Tyre Test Chief |

Tel: +90 386 252 65 50 Faks: +90 386 252 65 70 <http://www.petlas.com.tr> [lastik.deney@petlas.com.tr](mailto:lastik.deney@petlas.com.tr)

Bu rapor, laboratuvarın yazılı izni olmadan kısmen kopyalanıp çoğaltılamaz. İmzasız ve mühürlü raporlar geçersizdir.

This report shall not be reproduced other than in full except with the permission of the laboratory. Testing reports without signature and seal are not valid.

IGTT a.s.

Tyre Approval Department  
Šternberská 446, Louky  
763 02 Zlín, Czech Republic

İÇ/ID: 46900080 DIÇ/VAT: CZ46900080





## TYPE APPROVAL TEST REPORT

REPORT NO: D024-2646

TYRE SPECIFICATION

|                      |   |                       |             |
|----------------------|---|-----------------------|-------------|
| Manufacturer Name    | : PETLAS TIRE INDUSTRY AND TRADE CO.                      | Speed Category Symbol | : S         |
| Manufacturer Address | : KINDAM MAH ANKARA KAYSERİ CAD. NO:2/1 KIRŞEHİR / TURKEY | Reinforced/Ordinary   | : ORDINARY  |
| Brand                | : STARMAXX  | Category of Use       | : SNOW      |
| Pattern Name         | : MOUNTTERRA  | TT/TL                 | : TL        |
| Product Code         | : 605740  | Date of Manufacture   | : 4724      |
| Size Designation     | : LT265/65 R17  | Barcode Number        | : 08167304  |
| Load Capacity Index  | : 120/117   | Approval Number       | : E8 003500 |

TEST AND EQUIPMENT SPECIFICATION

|                                   |   |
|-----------------------------------|---|
| Test Tyre Receiving Date          | : 23.12.2024  |
| Test Date                         | : 26.12.2024  |
| Reference Regulation              | : UN Regulation No. 30  |
| Petlas Test Code                  | : 5000  |
| The Tests Conducted               | : 1 - Marking Control <input checked="" type="checkbox"/> 2 - Dimensions Measurement <input checked="" type="checkbox"/> 3 - Load/Speed <input checked="" type="checkbox"/> |
| Test Machine Name (Drum Diameter) | : ASM-1 (1.707 m)   |
| Pressure Gauge Calibration No     | : 2413597   |
| Caliper Calibration No            | : 2410790   |
| Tape Measure Calibration No       | : 2410783   |
| Test Film                         | : 8X17  |
| Test Technician                   | : FATİH SAHİN - SELÇUK OZCAN  |

CUSTOMER INFORMATION

|         |                        |
|---------|------------------------|
| Name    | : Same as Manufacturer |
| Address | : Same as Manufacturer |

TYRE VISUAL INSPECTION RESULT BEFORE TEST

Tyre was inspected and any evidence of failure was not detected.

Remarks:



## TYPE APPROVAL TEST REPORT

REPORT NO: D024-2646

**TEST 1 - MARKING CONTROL**

|   |   |                             |   |
|---|---|-----------------------------|---|
| Trade name or Mark                                    | YES <input checked="" type="checkbox"/> | NO <input type="checkbox"/> | N/A <input type="checkbox"/>            |
| Commercial/Pattern Name Marking                       | YES <input checked="" type="checkbox"/> | NO <input type="checkbox"/> | N/A <input type="checkbox"/>            |
| Tyre Size Designation Marking                         | YES <input checked="" type="checkbox"/> | NO <input type="checkbox"/> | N/A <input type="checkbox"/>            |
| Tyre Structure Marking                                | YES <input checked="" type="checkbox"/> | NO <input type="checkbox"/> | N/A <input type="checkbox"/>            |
| Speed Category Symbol Marking                         | YES <input checked="" type="checkbox"/> | NO <input type="checkbox"/> | N/A <input type="checkbox"/>            |
| Load Capacity Index Marking                           | YES <input checked="" type="checkbox"/> | NO <input type="checkbox"/> | N/A <input type="checkbox"/>            |
| "TRACTION" marking in case of tire                    | YES <input checked="" type="checkbox"/> | NO <input type="checkbox"/> | N/A <input type="checkbox"/>            |
| "Regroovable"   | YES <input type="checkbox"/>            | NO <input type="checkbox"/> | N/A <input checked="" type="checkbox"/> |
| "M+S" marking in case of "Snow" or "Special Use" tire | YES <input checked="" type="checkbox"/> | NO <input type="checkbox"/> | N/A <input type="checkbox"/>            |
| "MPT" marking in case of Special Use Tire             | YES <input type="checkbox"/>            | NO <input type="checkbox"/> | N/A <input checked="" type="checkbox"/> |
| "TUBELESS" marking in case of without inner tube use  | YES <input checked="" type="checkbox"/> | NO <input type="checkbox"/> | N/A <input type="checkbox"/>            |
| Date of Manufacture                                   | YES <input checked="" type="checkbox"/> | NO <input type="checkbox"/> | N/A <input type="checkbox"/>            |
| Approval Number Marking                               | YES <input checked="" type="checkbox"/> | NO <input type="checkbox"/> | N/A <input type="checkbox"/>            |
| "ERS" Marking   | YES <input type="checkbox"/>            | NO <input type="checkbox"/> | N/A <input checked="" type="checkbox"/> |

**RESULT :** The tire markings are fulfill the reference regulation requirements.

**TEST 2 - DIMENSIONS MEASUREMENT**

|                                 |   |
|---------------------------------|---|
| Conditioning                    | : 3 saat 25° C                                  |
| Inflation Pressure (kPa)        | : 550   |
| Overall Width Measurements (mm) | : 273,9 / 272,5 / 271,8 / 273,8 / 272,6 / 274,3 |
| TWI (Tread Wear Indicator) (mm) | : 1,74 / 1,91 / 1,75 / 1,76 / 1,79 / 1,84       |
| Maximum Circumference (mm)      | : 2432  |

| PARAMETERS                  | LIMIT VALUES (mm) | MEASURED VALUES (mm) |
|-----------------------------|-------------------|----------------------|
| Nominal Overall Width-S     | 272,0             | 274,3                |
| Maximum Overall Width-Smax  | 283,0             |                      |
| Nominal Outer Diameter-D    | 776,0             | 774,1                |
| Minimum Outer Diameter-Dmin | 766,0             |                      |
| Maximum Outer Diameter-Dmax | 797,0             |                      |
| Minimum TWI                 | 1,6               | 1,74                 |
| Maximum TWI                 | 2,2               | 1,91                 |

**RESULT :** The dimensions are fulfill the reference regulation requirements.

**TEST 3 - LOAD / SPEED TEST**

|                          |                |
|--------------------------|----------------|
| Conditioning             | : 3 saat 25° C |
| Inflation Pressure (kPa) | : 550          |

| Date/Time        | Test Step No | Test Procedure  |                |                   | Control |
|------------------|--------------|-----------------|----------------|-------------------|---------|
|                  |              | Duration (min.) | Test Load (kg) | Test Speed (km/h) |         |
| 26.12.2024 03:48 | 0            | 0               | 0              | 0                 | S.O.    |
|                  | 1            | 10              | 1260           | 0 - 160           |         |
|                  | 2            | 10              | 1260           | 160               |         |
| 26.12.2024 04:48 | 3            | 10              | 1260           | 170               | S.O.    |
|                  | 4            | 30              | 1260           | 180               |         |

**RESULT :** Tire completed the load/speed test without any failure.

**FINAL RESULT: THE TYRE PASSED ALL TESTS ACCORDING TO THE REFERENCE REGULATION**

Remarks:

|   |  |
|---|--|
| <b>Deney Metodu</b><br>Test method  | <b>ECE R30 - Annex 6 - Boyutsal Ölçüm , ECE R30 - Annex 7 Yük/Hız Performans Deneyi</b><br>: ECE R30 - Annex6 - Dimensional Measurement , ECE R30 - Annex 7 Load/ Speed Performance Test |
| <b>Deney Sonuçları</b><br>Test Results  | : <b>Deney Sonuçları Sayfa 3'te yer almaktadır.</b><br>Test Results is included on page 3.   |
| <b>Çevre şartları:</b><br>Environmental conditions  | : 25 ± 5 °C  |
| <b>Ölçüm belirsizliği (k=2 %95 güven aralığı):</b><br>Measurement uncertainty (k=2 95% confidence interval)                 | : -  |
| <b>Ölçüm sonuçlarının şartnamelere veya standartlara uygunluk beyanı</b><br>Conformity with requirements or specifications: | : -  |
| <b>Feragat beyanı</b><br>Disclaimer   | : -  |
| <b>Karar Kuralı</b><br>Decision Rule:   | : -  |
| <b>Analiz yönteminden eklemeler, çıkarmalar ve sapmalar</b>   | : -  |
| <b>Açıklamalar</b><br>Remarks   | : -  |

\* İşareti ile gösterilen analiz metodları, Akreditasyon kapsamı dışındadır.  
\* Analysis methods indicated by the mark is outside the scope of accreditation.

Dış tedarikçi laboratuvar kullanılmamaktadır.  
External supplier laboratories are not used.

Tel: +90 386 252 65 50 Faks: +90 386 252 65 70 <http://www.petlas.com.tr> [lastik.deney@petlas.com.tr](mailto:lastik.deney@petlas.com.tr)

Bu rapor, laboratuvarın yazılı izni olmadan fotokopi yapılmaz, çoğaltılmaz, imzasız ve mühürlü raporlar geçersizdir.