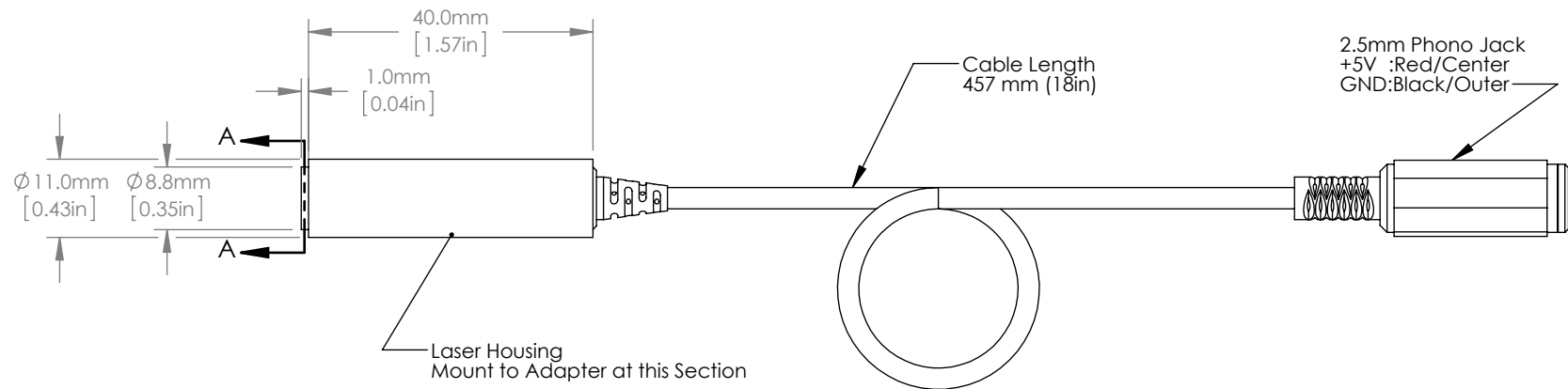
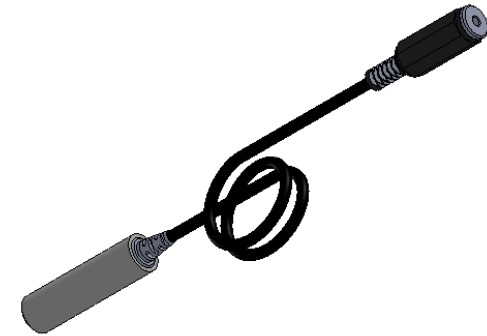


SECTION A-A
SCALE 2 : 1



FOR INFORMATION ONLY
NOT FOR MANUFACTURING PURPOSES

DRAWING PROJECTION			 www.thorlabs.com	
	NAME	DATE		
DRAWN	YH	04/APR/14	Collimated Laser Module	
APPROVAL	MY	04/APR/14	MATERIAL	N/A
COPYRIGHT © 2014 BY THORLABS VALUES IN PARENTHESIS ARE CALCULATED AND MAY CONTAIN ROUND OFF ERRORS			ITEM #	APPROX WEIGHT
			CPS405	0.03Kg
			REV	B