

[About us](#)[Our offer](#)[References](#)[Contacts](#)[Downloadable materials](#)[Materbud » Flanged fittings » Double flanged concentric taper FFR](#)

Our offer

Products list

[<< Previous product](#)

[Next product >>](#)

Double flanged concentric taper FFR

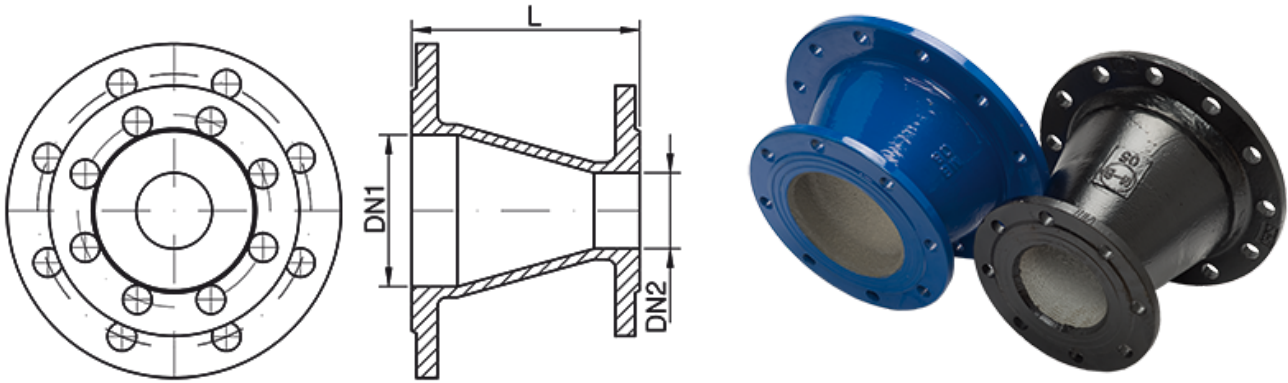


Table of sizes

DN1 [mm]	DN2 [mm]	L [mm]	Standard	DN1 [mm]	DN2 [mm]	L [mm]	Standard
50	40	150	PN-EN 545:2010	350	200	270	ZN-MB 02.FFR
65	50	200	PN-EN 545:2010	350	250	270	ZN-MB 02.FFR
80	50	150	ZN-MB 02.FFR	350	300	160	ZN-MB 02.FFR
80	50	200	ZN-MB 02.FFR	350	300	200	ZN-MB 02.FFR
80	65	100	ZN-MB 02.FFR	400	150	300	ZN-MB 02.FFR
80	65	120	PN-EN 545:2010	400	200	270	ZN-MB 02.FFR
80	65	150	PN-EN 545:2010	400	200	500	ZN-MB 02.FFR
100	50	150	ZN-MB 02.FFR	400	250	270	ZN-MB 02.FFR
100	50	200	ZN-MB 02.FFR	400	250	300	ZN-MB 02.FFR
100	65	170	ZN-MB 02.FFR	400	300	270	ZN-MB 02.FFR
100	80	100	ZN-MB 02.FFR	400	350	200	ZN-MB 02.FFR
100	80	150	ZN-MB 02.FFR	400	350	270	ZN-MB 02.FFR
125	65	200	ZN-MB 02.FFR	450	300	370	ZN-MB 02.FFR
125	80	170	ZN-MB 02.FFR	450	350	350	ZN-MB 02.FFR
125	100	150	PN-EN 545:2010	450	400	160	ZN-MB 02.FFR
150	50	100	ZN-MB 02.FFR	450	400	210	ZN-MB 02.FFR
150	65	200	ZN-MB 02.FFR	500	250	400	ZN-MB 02.FFR
150	80	150	ZN-MB 02.FFR	500	250	620	ZN-MB 02.FFR

150	80	170	ZN-MB 02.FFR	500	300	300	ZN-MB 02.FFR
150	80	200	ZN-MB 02.FFR	500	300	510	ZN-MB 02.FFR
150	100	100	ZN-MB 02.FFR	500	400	170	ZN-MB 02.FFR
150	100	150	PN-EN 545:2010	500	400	200	ZN-MB 02.FFR
150	125	150	ZN-MB 02.FFR	500	400	300	ZN-MB 02.FFR
200	50	310	ZN-MB 02.FFR	500	400	400	ZN-MB 02.FFR
200	80	200	ZN-MB 02.FFR	500	450	300	ZN-MB 02.FFR
200	100	100	ZN-MB 02.FFR	600	300	400	ZN-MB 02.FFR
200	100	200	ZN-MB 02.FFR	600	400	300	ZN-MB 02.FFR
200	150	100	ZN-MB 02.FFR	600	500	300	ZN-MB 02.FFR
200	150	200	ZN-MB 02.FFR	700	400	300	ZN-MB 02.FFR
200	150	300	ZN-MB 02.FFR	700	500	400	ZN-MB 02.FFR
250	80	250	ZN-MB 02.FFR	700	600	300	ZN-MB 02.FFR
250	100	200	ZN-MB 02.FFR	800	500	400	ZN-MB 02.FFR
250	150	200	ZN-MB 02.FFR	800	600	300	ZN-MB 02.FFR
250	200	160	ZN-MB 02.FFR	800	600	400	ZN-MB 02.FFR
250	200	200	ZN-MB 02.FFR	800	700	280	ZN-MB 02.FFR
300	80	270	ZN-MB 02.FFR	900	800	400	ZN-MB 02.FFR
300	100	300	ZN-MB 02.FFR	1000	900	450	ZN-MB 02.FFR
300	100	500	ZN-MB 02.FFR	1000	800	300	ZN-MB 02.FFR
300	150	200	ZN-MB 02.FFR	1000	800	600	ZN-MB 02.FFR
300	150	250	ZN-MB 02.FFR	1200	800	400	ZN-MB 02.FFR
300	150	300	ZN-MB 02.FFR	1200	800	600	ZN-MB 02.FFR
300	150	410	ZN-MB 02.FFR	1200	1000	400	ZN-MB 02.FFR
300	150	600	ZN-MB 02.FFR	1200	1000	600	ZN-MB 02.FFR
300	200	200	ZN-MB 02.FFR	1400	1000	400	ZN-MB 02.FFR
300	200	300	ZN-MB 02.FFR	1400	1000	600	ZN-MB 02.FFR
300	250	150	ZN-MB 02.FFR	1400	1200	400	ZN-MB 02.FFR
300	250	200	ZN-MB 02.FFR				

Flanged connections and holes PN-EN 1092:1999 (DIN 2501), work pressure PN10, PN16

Sizes of flanges:

Technical terms and loading, technical page

Complete sizes of flanges according to standard PN-EN 1092-2



DN [mm]	PN10						PN16						Standard
	D [mm]	K [mm]	A [mm]	holes	d [mm]	bolts	D [mm]	K [mm]	A [mm]	holes	d [mm]	bolts	
50	165	125	19	4	19	m16	165	125	19	4	19	m16	PN-EN 1092-2
65	185	145	19	4	19	m16	185	145	19	4	19	m16	PN-EN 1092-2

80	200	160	19	8	19	m16	200	160	19	8	19	m16	PN-EN 1092-2
100	220	180	19	8	19	m16	220	180	19	8	19	m16	PN-EN 1092-2
125	250	210	19	8	19	m16	250	210	19	8	19	m16	PN-EN 1092-2
150	285	240	19	8	23	m20	285	240	19	8	23	m20	PN-EN 1092-2
200	340	295	20	8	23	m20	340	295	20	12	23	m20	PN-EN 1092-2
250	400	350	22	12	23	m20	400	355	22	12	28	m24	PN-EN 1092-2
300	455	400	24,5	12	23	m20	455	410	24,5	12	28	m24	PN-EN 1092-2
350	505	460	24,5	16	23	m20	520	470	26,5	16	28	m24	PN-EN 1092-2
400	565	515	24,5	16	28	m24	580	525	28	16	31	m27	PN-EN 1092-2
450	615	565	25,5	20	28	m24	640	585	30	20	31	m27	PN-EN 1092-2
500	670	620	26,5	20	28	m24	715	650	31,5	20	34	m30	PN-EN 1092-2
600	780	725	30	20	31	m27	840	770	36	20	37	m33	PN-EN 1092-2
700	895	840	32,5	24	31	m27	910	840	39,5	24	37	m33	PN-EN 1092-2
800	1015	950	35	24	34	m30	1025	950	43	24	40	m36	PN-EN 1092-2
900	1115	1050	37,5	28	34	m30	1125	1050	46,5	28	40	m36	PN-EN 1092-2
1000	1230	1160	40	28	37	m33	1255	1170	50	28	43	m39	PN-EN 1092-2
1200	1455	1380	45	32	40	m36	1485	1390	57	32	48	m45	PN-EN 1092-2

TECHNICAL DESCRIPTION OF THE PRODUCT:

MATERIAL OF BODY: spheroidal iron cast according to the norms PN-EN 545:2010

SHIPPING CONDITIONS: leak test according to the norms PN-EN 545:2010

POSSIBLE EMBODIMENT OF THE CORROSION RESISTANT COATING

External cover:

- powder coating RAL5005 (light blue color), coating thickness $\geq 250\mu\text{m}$, or
- powder coating RAL3000 (red color), coating thickness $\geq 250\mu\text{m}$, or
- spray coating RAL9005 (black color), coating thickness $\geq 120\mu\text{m}$.

Internal cover:

- powder painting like for external cover, or
- cement coating (according DIN2614), thickness 4-9mm

APPLICATION RANGE

Installations for transmission of drinking water (waterworks) and other neutral liquids, fed under pressure or without it, at temperatures up to 120°C.