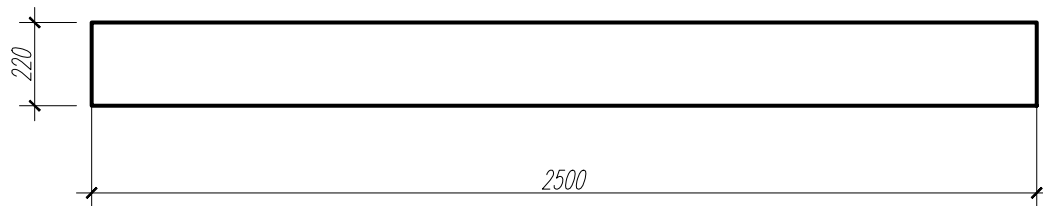
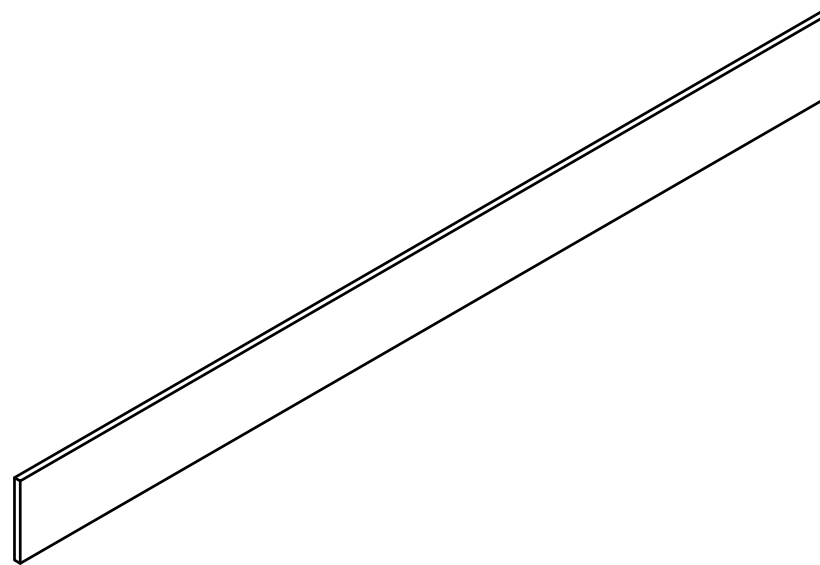


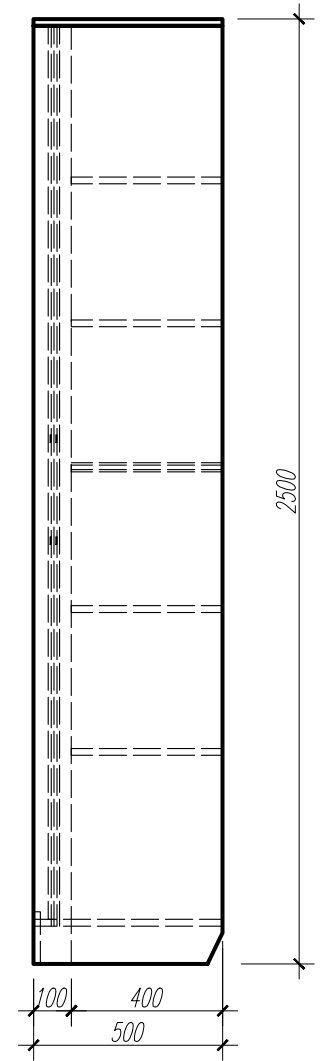
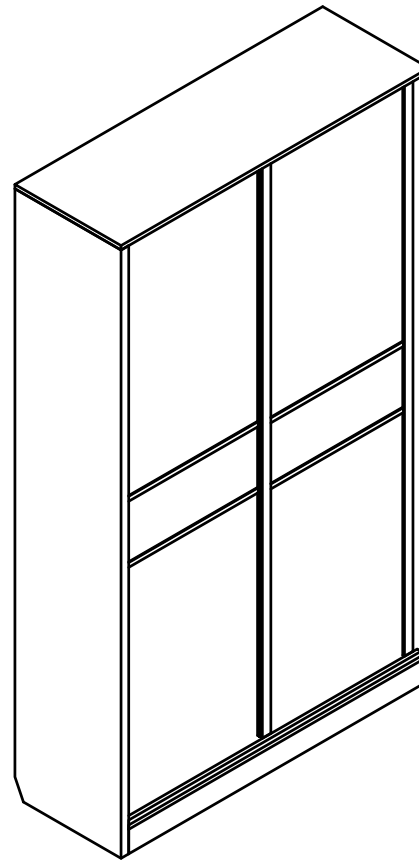
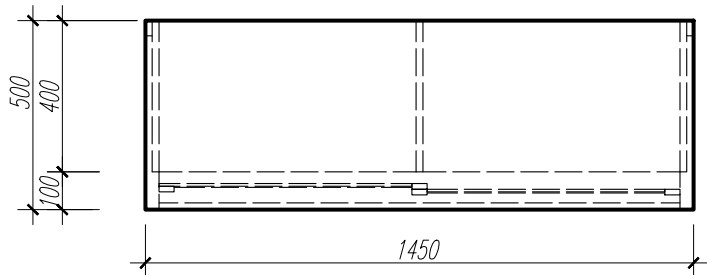
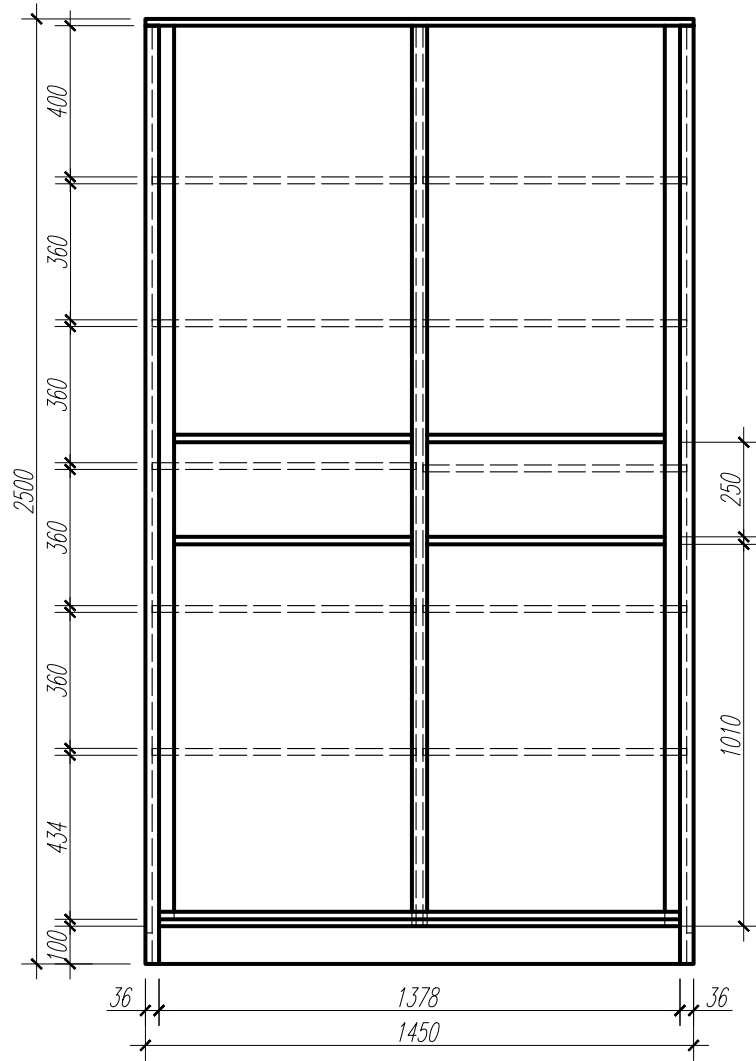
Client: USMF  
**BRIU**



2 buc.



client: USMF  
DULAP CUPEU IN NISA  
(coridor)



client: USMF  
OGLINDA PE PERETE

