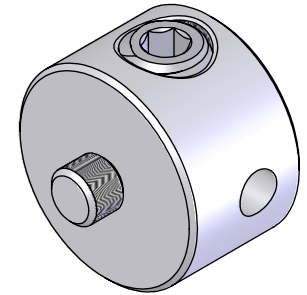
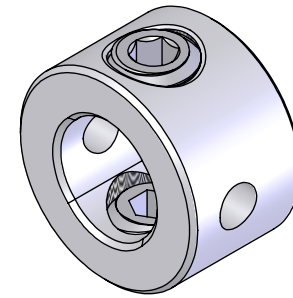
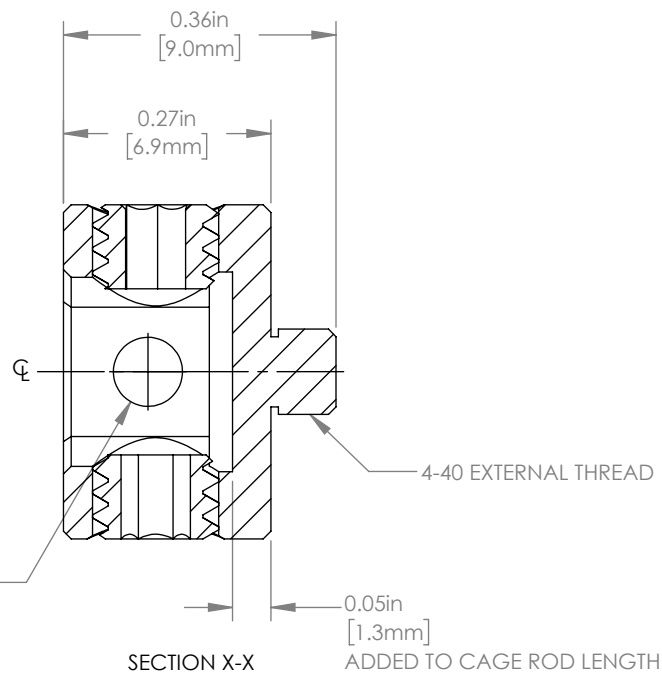


$\phi 0.09\text{in}$ [$\phi 2.3\text{mm}$]
THRU HOLE
TO HELP TIGHTEN AND LOOSEN ADAPTER



FOR INFORMATION ONLY
NOT FOR MANUFACTURING PURPOSES

DRAWING PROJECTION			THORLABS www.thorlabs.com	
	NAME	DATE	ER ROD ADAPTER, 4 PACK	
DRAWN	AK	16/APR/19	MATERIAL	
APPROVAL	ZM	24/APR/19	STAINLESS STEEL	REV B
COPYRIGHT © 2019 BY THORLABS			ITEM #	APPROX WEIGHT
VALUES IN PARENTHESIS ARE CALCULATED AND MAY CONTAIN ROUND OFF ERRORS			ERSCB-P4	4.5 g