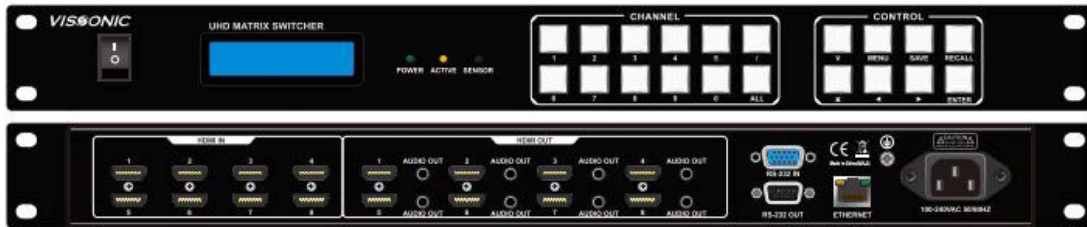


## VIS-PHD44/88/1616 UHD4Kx2K HDMI 4/8/16x4/8/16 Matrix



VIS-PHD44



VIS-PHD88



VIS-PHD1616

### 1. Product Introduction

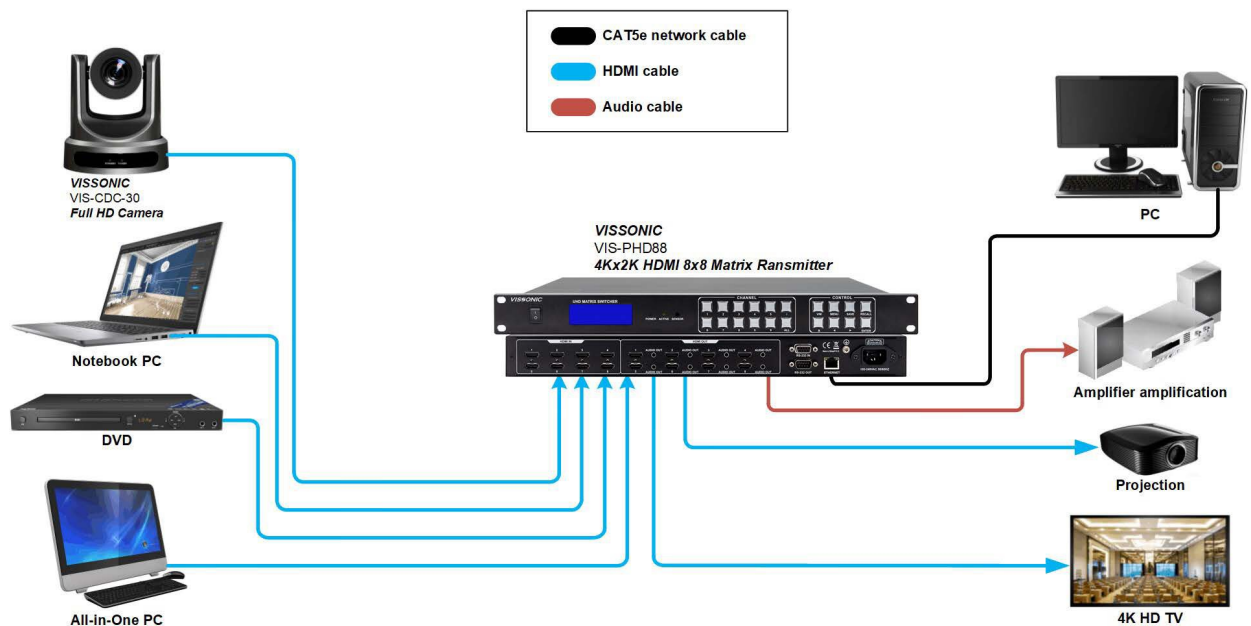
PHD series HDMI matrix is professional switcher routs UHD 4Kx2K HDMI signals to any outputs in need.

It provides high peak data transfer rate and perfectly supports synchronous switching of HDMI signals, the robust industrial design makes it able to be a signal management center for high definition signal transmission. It can be widely used in command control center, multi-screen systems, conference room, high definition medical or education teaching etc.

## 2. Features

- 1 . 4 / 8 / 16 HDMI inputs, 4 / 8 / 16 HDMI outputs and 4 / 8 / 16 analog audio outputs.
- 2 . 4Kx2K@30H and 4Kx2K (YCbCr420)@60Hz., in addition to all mandatory HDMI 3D TV formats.
- 3 . HDCP and DVI compliant.
- 4 . Supports 10/100Mbps Ethernet network connection..
- 5 . It can be serial port control.
- 6 . No loss and no delay HDMI Crosspoint switch..
- 7 . HDMI 1.4b protocol.
- 8 . Multiple control methods including front key panel with LCD control, RS232 control and TCP/IP control with RJ45 ports, make control more flexible.
- 9 . The signal of input can be transmitted up to 30 meters.
- 10 . It can save and load 9 different scenes with mode saving function.
- 11 . The signal can be converted by an adapter and compatible with DV1.0 standard.
- 12 . Easy installation with rack-mounting design.

## 3. System diagram



## 4. Specification

Model	VIS-PHD44	VIS-PHD88	VIS-PHD1616
Input type	4 HDMI	8 HDMI	16 HDMI
Output type	4 HDMI, 4 analog audio	8 HDMI, 8 analog audio	16 HDMI, 16 analog audio
Video Protocol	HDMI 1.4b, HDCP 1.3, compliant to DVII.0		
Maximum resolution	HDMI1.4b 4Kx2K@30H, HDMI2.0 YCbCr420 4Kx2K@60Hz		
HDMI interface	Type A, 19 pin, female		
Serial Interface	RS-232 IN, DB9, Female; RS-232 OUT, DB9, Male		
Input cable length	Adaptive equalizer for cable lengths up to 30 meters		
Output cable length	≤ 15m		
RJ45 control protocol	TCP/IP		
Ethernet rate	Self-adaptive 10M/100M		
Storage environment	Temperature: -20°C ~ +70°C, humidity: 10%~90%		
Work environment	Temperature: -20°C ~ +70°C, humidity: 10%~90%		
Power supply	AC 110~240V		
Maximum power dissipation	15W	25W	45W
Chassis Specifications	1U	1U	2U
Dimensions (WxDxH)	430x260x44.5 mm	430x260x44.5 mm	430x260x89 mm
Weight	3.5Kg	3.5Kg	5.5Kg
MTBF	30,000 hours		
Warranty	One-year warranty and lifetime maintenance		