

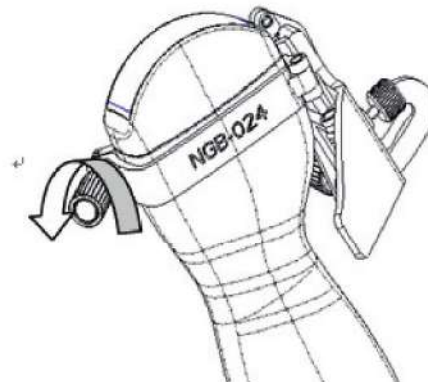
Resona I8W Series/Nuewa I8W Series/ Resona I8 Easi Series

Diagnostic Ultrasound System

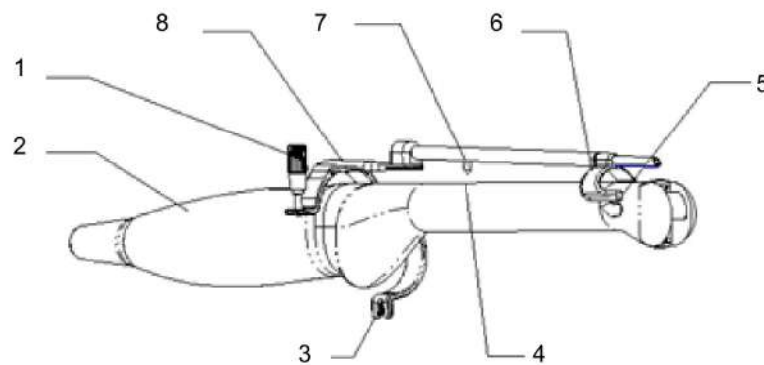
Operator's Manual

[Basic Volume]

- c. Rotate the clamping nuts of the needle guided-bracket on right and left side (following the direction of the arrow). The needle guided-bracket is separate from the transducer. Hold the transducer and take out the bracket.



NGB-025



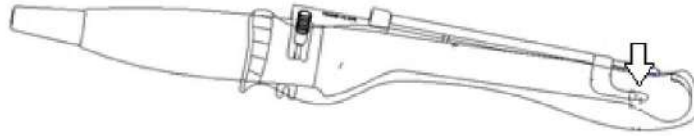
1	Pinch nut	2	Intra-cavity probe
3	Lower clamp	4	Location hole
5	Front slot	6	Front clamp
7	Location clamp	8	Upper clamp

Perform the following procedure:

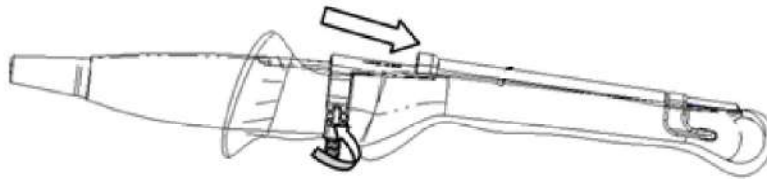
1. Install the needle-guided bracket:
 - a. Put on the sterile probe sheath.



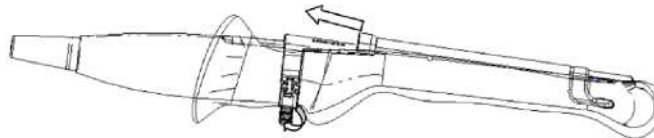
- b. Open the clamp. Insert the front clamp to the front groove, and align front clamp with front groove.



- c. Push the biopsy forward (arrow's direction) until the locating pole inserting into the location hole. Turn the lower clamp against the intra-cavity probe. Tighten the nut to lock the biopsy (arrow's direction)

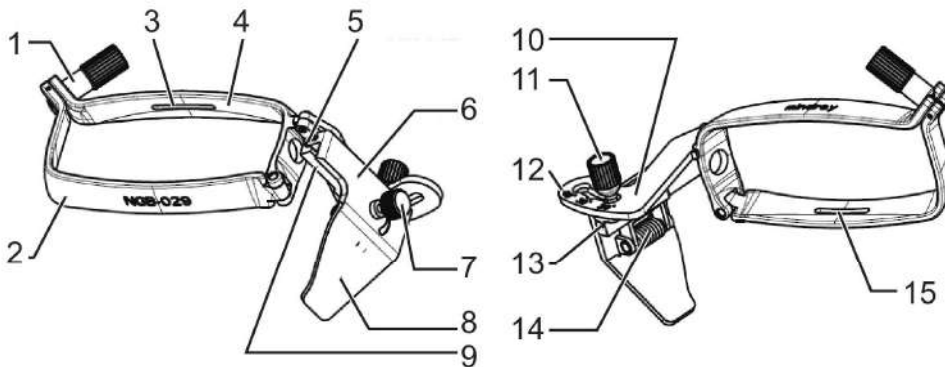


- 2. Remove the needle-guided bracket:



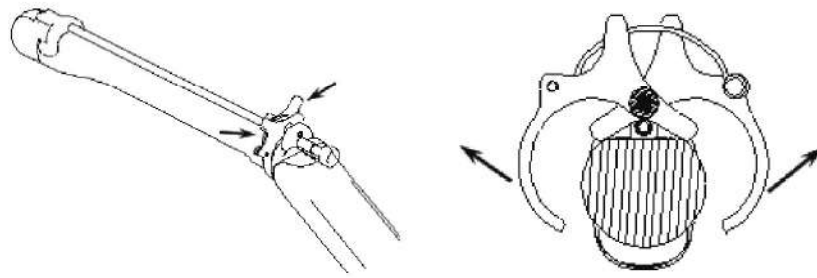
- a. Hold the prober in the left hand; unscrew the locking nut with the right hand to loose the clamp (arrow's direction).
- b. Lift the biopsy up (towards arrow's direction). The locating pole, front clamp, the locating hole and the front clamp become loose.

NGB-029

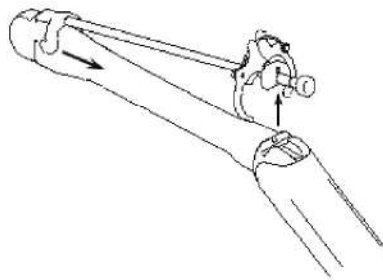


1	Fixing nut of clamps	2	Clamp	3	Groove
4	Clamp	5	Needle guide hole	6	Needle clamp cover
7	Pinch nut	8	Needle separation pressure position	9	V-shaped guiding block

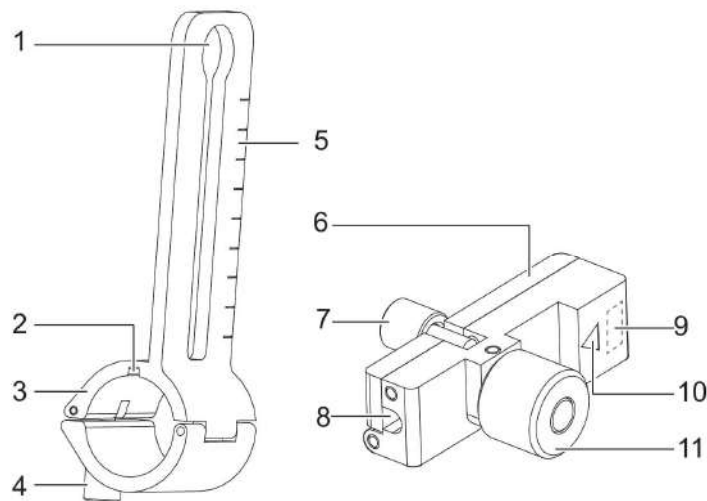
- b. Hold the probe in one hand, and hold the bracket with the other hand. Press the separating button of the bracket to open the clamp.



- c. Hold the clasp at the end of the bracket to separate the bracket from probe.



NGB-051

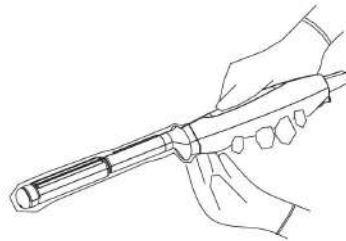


No.	Name	Description
1.	Support of needle-guided bracket	Used for installing the needle-guided bracket on the transducer.
2.	Knob of fixing needle-guided bracket	Used for fixing the needle-guided bracket on the transducer.
3.	Groove	Match with the tab on the transducer.
4.	Hole for installing guiding block	Used for installing the knob of fixing needle-guided bracket.
5.	Needle distance scales	Indicate distance between needle and the transducer head surface.

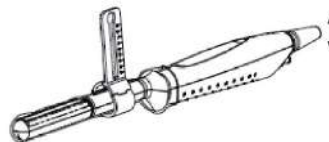
No.	Name	Description
6.	Guiding block	Used for installing biopsy needle; there are five specifications of guiding blocks for different needles.
7.	Knob of fixing the needle	Used for fixing the needle.
8.	Guiding hole of the needle	Used for installing the biopsy needle.
9.	Specification of guiding block	Matched with the corresponding biopsy needle.
10.	Mark of indicating scales	Indicating needle distance scales.
11.	Knob of fixing the guiding block	Used for fixing the guiding block.

Perform the following procedure:

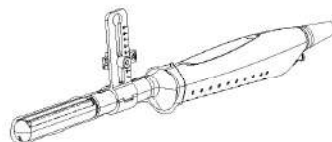
1. Install the needle-guided bracket:
 - a. Put on the transducer cover.



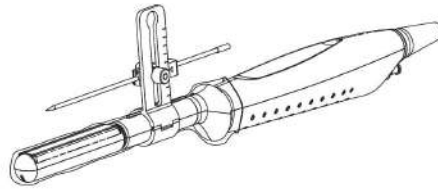
- b. Cover the support of needle-guided bracket on the transducer, making the groove of the needle-guided bracket to match with the tab of the transducer. Set the needle-guided bracket at the desired position, turn tightly the knob of fixing needle-guided bracket to fix the needle-guided bracket.



- c. Select a proper guiding block and thread the knob of fixing the guiding block through the hole of installing guiding block, move the guiding block to the desired position, then turn tightly the knob of fixing the guiding block to fix the guiding block on the support of needle-guided bracket.

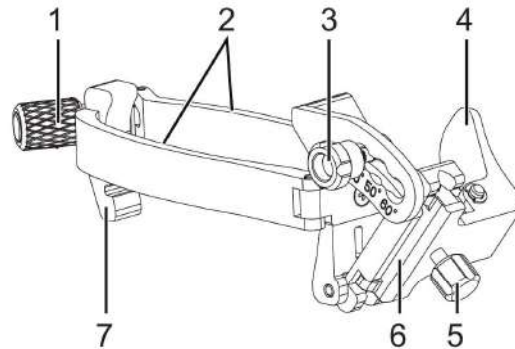


- d. Insert a biopsy needle with the same specification as that of the guiding block into the hole of the guiding block and turn tightly the knob of fixing the needle.



2. Remove the needle-guided bracket:
 - a. Turn on the knob of fixing the needle and separate the needle from the needle-guided bracket.
 - b. Turn on the knob of fixing guiding block and remove the guiding block from the hole of installing guiding block.
 - c. Turn on the knob of fixing needle-guided bracket and remove the needle-guided bracket.

NGB-053



1	Clamp pinch nut	2	Clamps
3	Angle pinch nut	4	Separation pressure position
5	Needle type adjusting nut	6	Needle guide hole
7	The location position block		

Perform the following procedure:

1. Install the needle-guided bracket:
 - a. Put on the sterile probe sheath.
 - b. Hold the probe in one hand, select the correct needle-guided bracket and hold it with the other hand. Match the grooves of the needle-guided bracket to the tabs of the probe.
 - c. Mount the bracket onto the probe, and rotate the pinch nut to fix the bracket.
2. Adjust the needle angle to the proper shift as required:
 - a. Loosen the angle pinch nut.
 - b. Adjust the angle block to the desired level.
 - c. Tighten the angle pinch nut.
3. Insert the biopsy needle:
 - a. Hold the probe. Press the separation pressure position to separate needle guided V-shaped block from pressure position of the needle.