

## Lenovo ThinkSystem SR630 V4 Server Product Guide

The Lenovo ThinkSystem SR630 V4 is an ideal 2-socket 1U rack server for customers that need industry-leading reliability, management, and security, as well as maximizing performance and flexibility for future growth. The SR630 V4 is based on two Intel Xeon 6700-series or Xeon 6500-series processors, with Performance-cores (P-cores), formerly codenamed "Granite Rapids-SP", or with Efficient-cores (E-cores), formerly codenamed "Sierra Forest-SP".

The SR630 V4 is designed for high density and scale-out workloads in various customer segments.



Figure 1. Lenovo ThinkSystem SR630 V4 with optional security bezel

360° View

Full 3D Tour

### Did you know?

The SR630 V4 server supports a variety of cooling options including the new Lenovo Compute Complex Neptune Core module which uses open-loop liquid cooling to remove the heat from processors, memory, and voltage regulators. This Neptune Core module can remove more than 80% of heat from the server using liquid cooling, resulting in up to 33.6% power savings at the data center level. See the [Lenovo Compute Complex Neptune Core Module](#) section for details.

## Key features

Combining performance and flexibility, the SR630 V4 server is a great choice for enterprises of all sizes. The server offers a broad selection of drive and slot configurations and offers numerous high performance features. Outstanding reliability, availability, and serviceability (RAS) and high-efficiency design can improve your business environment and can help save operational costs.

## Scalability and performance

The ThinkSystem SR630 V4 offers numerous features to boost performance, improve scalability and reduce costs:

- Supports one or two Intel Xeon 6700-series or 6500-series processors with Performance-cores (P-cores)
  - Up to 86 cores and 172 threads
  - Core speeds of up to 4 GHz
  - TDP ratings of up to 350 W
- Supports one or two Intel Xeon 6700-series processors with Efficient-cores (E-cores)
  - Up to 144 cores
  - Core speeds of up to 2.4 GHz
  - TDP ratings of up to 330 W
- Support for DDR5 memory DIMMs to maximize the performance of the memory subsystem:
  - Up to 32 DDR5 memory DIMMs, 16 DIMMs per processor
  - 8 memory channels per processor (2 DIMMs per channel)
  - Supports 1 DIMM per channel operating at 6400 MHz
  - Supports 2 DIMMs per channel operating at 5200 MHz
  - Using 256GB 3D RDIMMs, the server supports up to 8TB of system memory
- Support for MRDIMMs for increased memory bandwidth with memory bus speeds of up to 8000 MHz. MRDIMMs require Intel Xeon 6700P-series processors.
- Support for Compute Express Link (CXL) memory DIMMs in an E3.S 2T form factor. With CXL 2.0 for next-generation workloads, you can reduce compute latency in the data center and lower TCO. CXL is a protocol that runs across the standard PCIe physical layer and can support both standard PCIe devices as well as CXL devices on the same link. CXL memory requires Intel Xeon 6700P-series processors.
- Support for up to three single-width GPUs, each up to 75W for substantial processing power in a 1U system.
- Supports up to 12x 2.5-inch NVMe hot-swap drive bays, by using combinations of front-accessible (up to 10 bays) and rear-accessible (2 bays).
- Support for up to 16x E3.S 1T NVMe drives, a new form factor drive for high-density and high-performance storage.
- Supports up to 16x NVMe drives without oversubscription of PCIe lanes (1:1 connectivity) and without the need for additional NVMe adapters. The use of NVMe drives maximizes drive I/O performance, in terms of throughput and latency.
- Supports 12x SAS drives using a variety of 12Gb RAID controllers and SAS HBAs.
- Supports high-speed RAID controllers providing 12 Gb SAS connectivity to the drive backplanes. A variety of PCIe 3.0 and PCIe 4.0 RAID adapters are available.
- Supports M.2 drives for convenient operating system boot functions. M.2 drives can be internally mounted or can be mounted at the front or rear of the server as hot-swap drives. Optional RAID-0 or RAID-1.
- Supports up to 3x PCIe slots at the rear of the server. Also supports 2x OCP slots at the rear of the server.

- The server has up to two dedicated industry-standard OCP 3.0 slots supporting a variety of Ethernet network adapters. A simple-swap mechanism with a thumbscrew and pull-tab enables tool-less installation and removal of the adapter. The adapter supports shared BMC network sideband connectivity to enable out-of-band systems management.
- The server offers PCI Express 5.0 I/O expansion capabilities that doubles the theoretical maximum bandwidth of PCIe 4.0 (32GT/s in each direction for PCIe Gen 5, compared to 16 GT/s with PCIe Gen 4 and 8 GT/s with PCIe Gen 3). A PCIe 5.0 x16 slot provides 128 GB/s bandwidth, enough to support a dual-port 200GbE network connection or a single-port 400GbE connection.

### **Availability and serviceability**

The SR630 V4 provides many features to simplify serviceability and increase system uptime:

- Designed to run 24 hours a day, 7 days a week
- The server offers Single Device Data Correction (SDDC, also known as Chipkill), Adaptive Double-Device Data Correction (ADDDC, also known as Redundant Bit Steering or RBS), and memory mirroring for redundancy in the event of a non-correctable memory failure.
- The server offers hot-swap drives, supporting RAID redundancy for data protection and greater system uptime.
- Available M.2 boot adapters support RAID-1 (using onboard hardware RAID or using Intel VROC) which can enable two M.2 drives to be configured as a redundant pair.
- The server has up to two hot-swap redundant power supplies and up to eight hot-swap redundant fans to provide availability for business-critical applications.
- The light path diagnostics feature uses LEDs to lead the technician to failed (or failing) components, which simplifies servicing, speeds up problem resolution, and helps improve system availability.
- Solid-state drives (SSDs) offer more reliability and performance than traditional mechanical HDDs for greater uptime.
- Proactive Platform Alerts (including PFA and SMART alerts): Processors, voltage regulators, memory, internal storage (SAS/SATA HDDs and SSDs, NVMe SSDs, M.2 storage), fans, power supplies, RAID controllers, server ambient and subcomponent temperatures. Alerts can be surfaced through the XClarity Controller to managers such as Lenovo XClarity Administrator, VMware vCenter, and Microsoft System Center. These proactive alerts let you take appropriate actions in advance of possible failure, thereby increasing server uptime and application availability.
- The built-in XClarity Controller continuously monitors system parameters, triggers alerts, and performs recovery actions in case of failures to minimize downtime.
- Built-in diagnostics in UEFI, using Lenovo XClarity Provisioning Manager, speed up troubleshooting tasks to reduce service time.
- Lenovo XClarity Provisioning Manager supports diagnostics and can save service data to a USB key drive or remote CIFS share folder for troubleshooting and reduce service time.
- Auto restart in the event of a momentary loss of AC power (based on power policy setting in the XClarity Controller service processor)
- Offers a diagnostics port on the front of the server to allow you to attach an external diagnostics handset for enhanced systems management capabilities.
- Support for the XClarity Administrator Mobile app running on a supported smartphone or tablet and connected to the server through the service-enabled USB port, enables additional local systems management functions.
- Three-year or one-year customer-replaceable unit and onsite limited warranty (varies by geography), 9 x 5 next business day. Optional service upgrades are available.

## Manageability and security

Systems management features simplify local and remote management of the SR630 V4:

- The server includes XClarity Controller 3 (XCC3) to monitor server availability. Optional upgrade to XCC3 Premier to provide remote control (keyboard video mouse) functions, support for the mounting of remote media files (ISO and IMG image files), boot capture and power capping. XCC3 Premier also offers additional features such as Neighbor Groups, System Guard, a CNSA-compliant security mode, a FIPS 140-3-compliant mode, and enhanced NIST 800-193 support.
- Dedicated Ethernet port at the rear of the server for remote management (BMC management).
- Lenovo XClarity Administrator offers comprehensive hardware management tools that help to increase uptime, reduce costs and improve productivity through advanced server management capabilities.
- UEFI-based Lenovo XClarity Provisioning Manager, accessible from F1 during boot, provides system inventory information, graphical UEFI Setup, platform update function, RAID Setup wizard, operating system installation function, and diagnostic functions.
- Support for Lenovo XClarity Energy Manager which captures real-time power and temperature data from the server and provides automated controls to lower energy costs.
- An integrated industry-standard Unified Extensible Firmware Interface (UEFI) enables improved setup, configuration, and updates, and simplifies error handling.
- Support for industry standard management protocols, IPMI 2.0, SNMP 3.0, Redfish REST API, serial console via IPMI
- Enhanced security for storage connectivity with Fibre Channel adapters such as the Emulex SecureHBA, which provides autonomous in-flight encryption with integrated post-quantum cryptography (PQC) algorithms and CNSA 1.0 and 2.0 compliance.
- An integrated hardware Trusted Platform Module (TPM) supporting TPM 2.0 enables advanced cryptographic functionality, such as digital signatures and remote attestation.
- Administrator and power-on passwords help protect from unauthorized access to the server.
- Supports Secure Boot to ensure only a digitally signed operating system can be used. Supported with HDDs and SSDs, as well as M.2 drives.
- Industry-standard Advanced Encryption Standard (AES) NI support for faster, stronger encryption.
- Intel Execute Disable Bit functionality can prevent certain classes of malicious buffer overflow attacks when combined with a supported operating system.
- Intel Trusted Execution Technology provides enhanced security through hardware-based resistance to malicious software attacks, allowing an application to run in its own isolated space, protected from all other software running on a system.
- Additional physical security features are an available chassis intrusion switch and available lockable front bezel.

## Energy efficiency

The SR630 V4 offers the following energy-efficiency features to save energy, reduce operational costs, and increase energy availability:

- The server supports advanced Lenovo Neptune Core direct-water cooling (DWC) capabilities, where heat from key components is removed from the rack and the data center using an open loop and coolant distribution units, resulting in lower energy costs:
  - Processor Neptune Core Module uses liquid cooling to remove heat from the processors
  - Compute Complex Neptune Core Module uses liquid cooling to remove heat from the processors, memory and voltage regulators
- Energy-efficient system board components help lower operational costs.
- High-efficiency power supplies with 80 PLUS Platinum and Titanium certifications

- Solid-state drives (SSDs) consume as much as 80% less power than traditional spinning 2.5-inch HDDs.
- Support for Lenovo XClarity Energy Manager provides advanced data center power notification, analysis, and policy-based management to help achieve lower heat output and reduced cooling needs.
- The server uses hexagonal ventilation holes, which can be grouped more densely than round holes, providing more efficient airflow through the system and thus keeping your system cooler.

## Comparing the SR630 V4 to the SR630 V3

The ThinkSystem SR630 V4 improves on the previous generation SR630 V3, as summarized in the following table.

Table 1. Comparing the SR630 V4 to the previous generation SR630 V3

Feature	SR630 V3	SR630 V4	Benefits
Processor	<ul style="list-style-type: none"> <li>• 2x 5th Gen or 4th Gen Intel Xeon Scalable Processors</li> <li>• Up to 64 cores with Hyper-Threading</li> <li>• TDP ratings up to 350W</li> </ul>	<ul style="list-style-type: none"> <li>• 2x Intel Xeon 6700 or 6500-series processor with P-cores, up to 86 cores and 172 threads; TDP up to 350W</li> <li>• 2x Intel Xeon 6700-series processor with E-cores, up to 144 cores (no Hyper-Threading), TDP ratings up to 330W</li> </ul>	<ul style="list-style-type: none"> <li>• Significant increase in cores per processor</li> <li>• Increased performance</li> <li>• Consolidation of more apps on same number of servers, reducing costs</li> </ul>
Memory	<ul style="list-style-type: none"> <li>• DDR5 memory operating up to 5600 MHz</li> <li>• 8 channels per CPU</li> <li>• 32 DIMMs (16 per processor), 2 DIMMs per channel</li> <li>• Supports RDIMMs, 3DS RDIMMs and 9x4 RDIMMs</li> <li>• Up to 8TB of system memory</li> </ul>	<ul style="list-style-type: none"> <li>• DDR5 memory operating up to 6400 MHz</li> <li>• 8 channels per CPU</li> <li>• 32 DIMMs (16 per processor), 2 DIMMs per channel</li> <li>• E-cores: Supports RDIMMs</li> <li>• P-cores: Support for 3DS RDIMMs, MRDIMMs, and CXL memory</li> <li>• Up to 8TB of system memory</li> </ul>	<ul style="list-style-type: none"> <li>• Faster DDR5 memory</li> <li>• Support for new memory technologies</li> </ul>
Internal storage	<ul style="list-style-type: none"> <li>• Front: 4x 3.5" SAS/SATA hot-swap drive bays</li> <li>• Front: 10x 2.5" SAS/SATA/NVMe</li> <li>• Front: 16x E1.S NVMe hot-swap drive bays</li> <li>• Rear: Up to 2x 2.5" SAS/SATA or NVMe hot-swap drive bays</li> <li>• Rear: 2x 7mm SATA or NVMe hot-swap drive bays (optional RAID support)</li> <li>• 16x Onboard NVMe ports</li> <li>• 2x Internal M.2 with optional RAID 1 (RAID support via VROC)</li> </ul>	<ul style="list-style-type: none"> <li>• Front: 10x 2.5" SAS/SATA/NVMe drives</li> <li>• Front: 16x E3.S 1T NVMe hot-swap drive bays</li> <li>• Front: 8x E3.S 2T NVMe hot-swap drive bays</li> <li>• Rear: Up to 2x 2.5" SAS/SATA/NVMe hot-swap drive bays</li> <li>• 16x Onboard NVMe ports</li> <li>• 2x Internal M.2 or 2x Hot-swap M.2</li> </ul>	<ul style="list-style-type: none"> <li>• Support for up to 12x 2.5" NVMe drives (front+rear)</li> <li>• Support for E3.S drive formats will allow for greater drive capacities</li> <li>• No support for 3.5-inch drive bays</li> <li>• Onboard NVMe ports means no need for Retimer adapters, freeing up slots for other adapters</li> <li>• New hot-swap M.2 drive options for OS boot</li> </ul>

Feature	SR630 V3	SR630 V4	Benefits
RAID	<ul style="list-style-type: none"> <li>Support for Onboard NVMe and Onboard SATA controllers</li> <li>8-port and 16-port RAID adapters with up to 8GB flash</li> <li>Support for Lenovo and Broadcom adapters</li> <li>Support for PCIe or Internal cabled (CFF) form factor adapters</li> <li>Support for NVMe drives connected to 940 RAID adapters (Tri-Mode)</li> <li>Storage HBAs available</li> </ul>	<ul style="list-style-type: none"> <li>Support for onboard NVMe (no onboard SATA)</li> <li>Support for RAID adapters and SAS HBAs</li> </ul>	<ul style="list-style-type: none"> <li>Consistent RAID/HBA support</li> <li>Flexible config solution</li> <li>PCIe Gen 5 allows for greater storage performance</li> </ul>
Networking	<ul style="list-style-type: none"> <li>1x OCP slot with PCIe Gen 5 x16 interface (rear or front of server)</li> <li>Additional PCIe adapters supported</li> </ul>	<ul style="list-style-type: none"> <li>2x OCP slots with PCIe Gen 5 x16 interface (two rear)</li> <li>Additional PCIe adapters supported</li> </ul>	<ul style="list-style-type: none"> <li>Two OCP slots up slots for other adapters or drive bays</li> </ul>
PCIe slots	<ul style="list-style-type: none"> <li>Up to 2x PCIe Gen 5 slots + 1x PCIe Gen 4 slot at the rear</li> <li>Up to 2x PCIe Gen 5 slots + OCP slot at the front of the server</li> <li>One OCP 3.0 slot (rear or front)</li> <li>Supports a RAID/HBA in CFF form factor (does not occupy a PCIe slot)</li> </ul>	<ul style="list-style-type: none"> <li>Up to 3x PCIe Gen 5 slots + 2x OCP slots at the rear of the server</li> <li>Two OCP 3.0 slots at the rear</li> </ul>	<ul style="list-style-type: none"> <li>PCIe Gen 5 allows for greater I/O performance</li> <li>Flexible PCIe offerings</li> <li>Support for 2x OCP slots</li> </ul>
Management and security	<ul style="list-style-type: none"> <li>Integrated XClarity Controller 2</li> <li>Additional features with XCC2 Platinum</li> <li>Support for full XClarity toolset including XClarity Administrator</li> <li>Platform Firmware Resiliency (PFR) hardware Root of Trust (RoT)</li> </ul>	<ul style="list-style-type: none"> <li>Integrated XClarity Controller 3</li> <li>Additional features with XCC3 Premier</li> <li>Support for full XClarity toolset including XClarity Administrator</li> <li>Platform Firmware Resiliency (PFR) hardware Root of Trust (RoT)</li> <li>For Fibre Channel storage connectivity, available in-flight encryption adapters such as Emulex SecureHBAs</li> </ul>	<ul style="list-style-type: none"> <li>Same system management tool with previous generation</li> <li>Silicon-level security solution</li> <li>Storage connectivity encryption ensures that data remains secure</li> </ul>
Power	<ul style="list-style-type: none"> <li>750W, 1100W, 1800W AC Platinum/Titanium Hot Plug PSUs</li> <li>CFFv4 form factor power supplies</li> <li>1300W -48VDC power supplies</li> <li>240V HVDC support for PRC customers</li> </ul>	<ul style="list-style-type: none"> <li>800W, 1300W, 2000W AC Platinum/Titanium Hot Plug PSUs</li> <li>CRPS form factor power supplies</li> <li>1300W -48VDC power supplies</li> <li>1300W HVDC power supplies</li> <li>240V HVDC support for PRC customers</li> </ul>	<ul style="list-style-type: none"> <li>Multiple PSU offerings to suit the configuration selected</li> <li>New ErP Lot 9-compliant offerings</li> <li>Support for Telco customers with -48V requirements</li> </ul>

## View in Augmented Reality

View the SR630 V4 in augmented reality (AR) using your smartphone or tablet.

Simply follow these steps:

1. Scan the QR code\* with the camera app on your phone
2. Point your phone at a flat surface
3. Wait a few seconds for the model to appear

Once the server appears, you can move your phone around it. You can also drag or rotate the server to reposition it.



For more information about the AR viewer, see the article "Introducing the Augmented Reality Viewer for Lenovo Servers", available from <https://lenovopress.lenovo.com/lp1952>

\* If you're viewing this document on your phone or tablet, simply tap the QR code

## Components and connectors

The following figure shows the front of the SR630 V4.

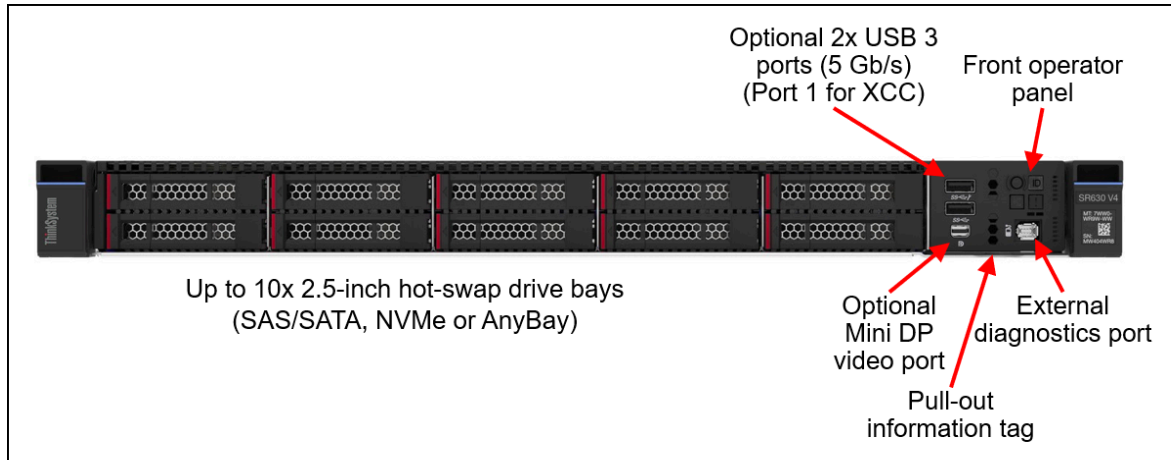


Figure 2. Front view of the SR630 V4 with 2.5-inch drive bays

For details on the front ports, including the optional front USB and Mini DP video port, see the [Local management](#) section.

The following figure shows the various front configurations supported by the SR630 V4. As shown, the server supports 2.5-inch or E3.S EDSFF drive bays and optionally, two hot-swap M.2 drive bays.

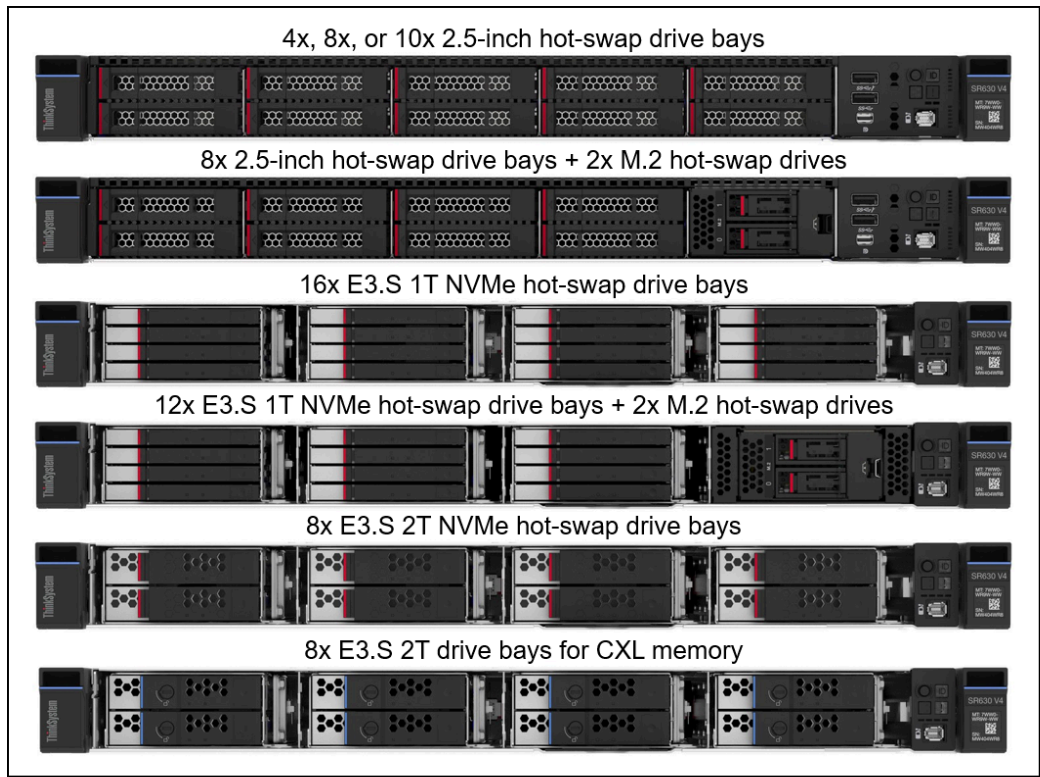


Figure 3. Front configurations of the SR630 V4

The following figure shows the components visible from the rear of the server.

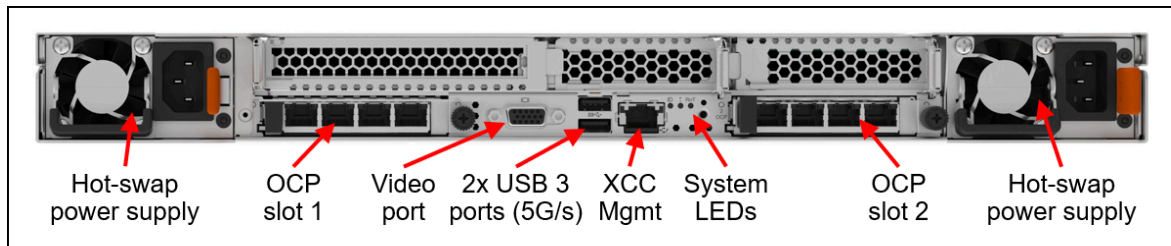


Figure 4. Rear view of the SR630 V4 with three low-profile slots

The SR630 V4 supports four air-cooled and two water-cooled configurations as shown below. Combinations of low-profile slots, full-height slots, 2.5-inch hot-swap drives, and M.2 hot-swap drives are available.

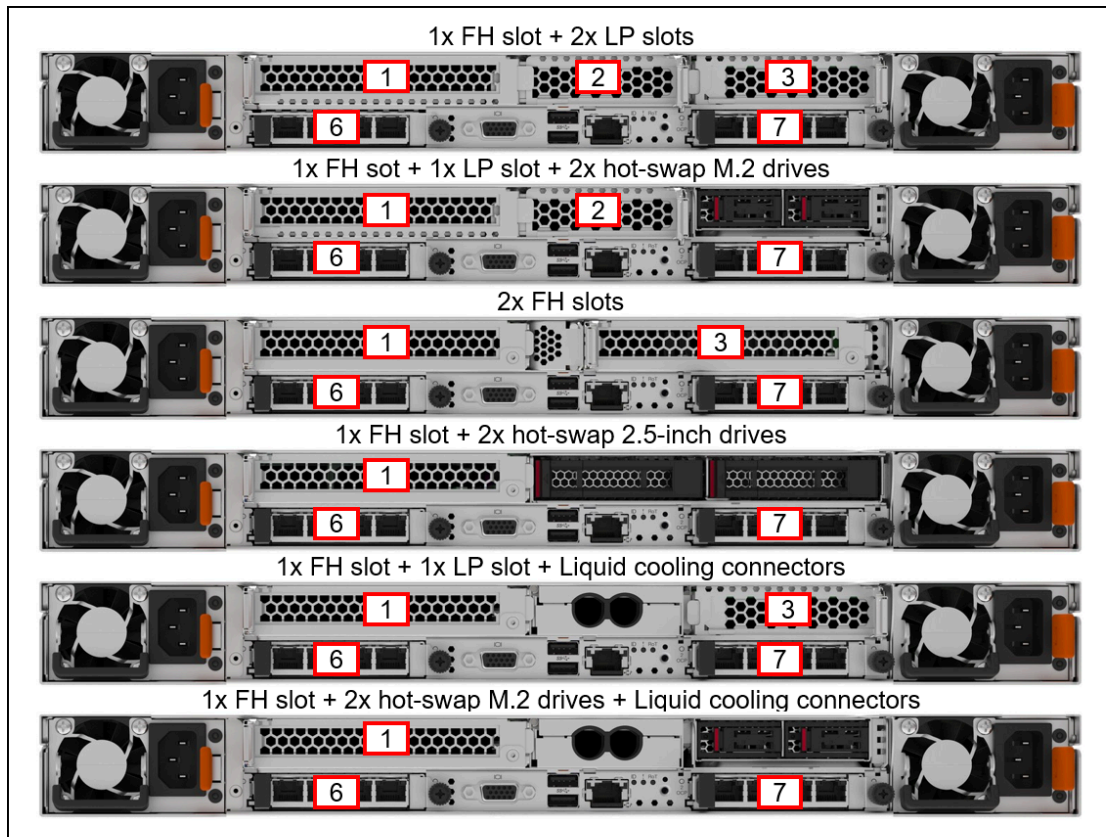


Figure 5. Rear configurations of the ThinkSystem SR630 V4

The following figure shows the locations of key components inside the server.

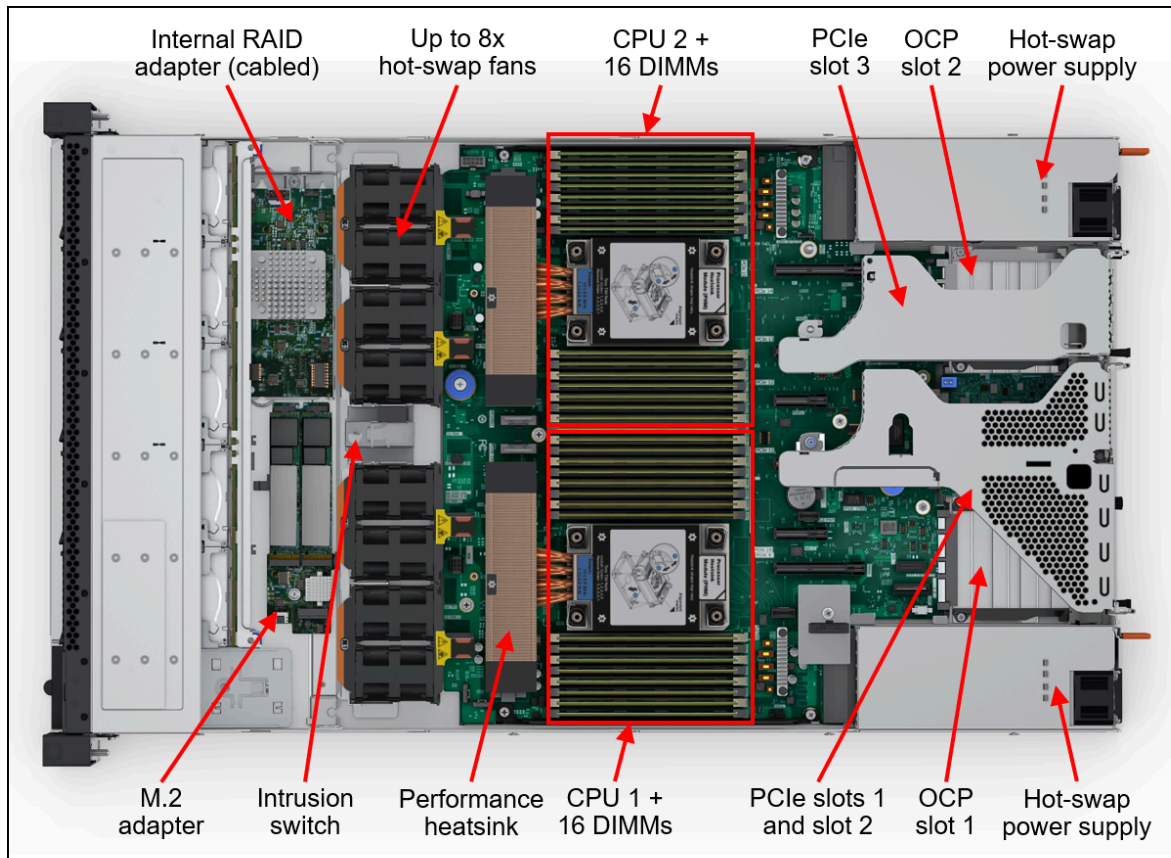


Figure 6. Internal view of the SR630 V4

## System architecture

The following figure shows the architectural block diagram of the SR630 V4, showing the major components and their connections.

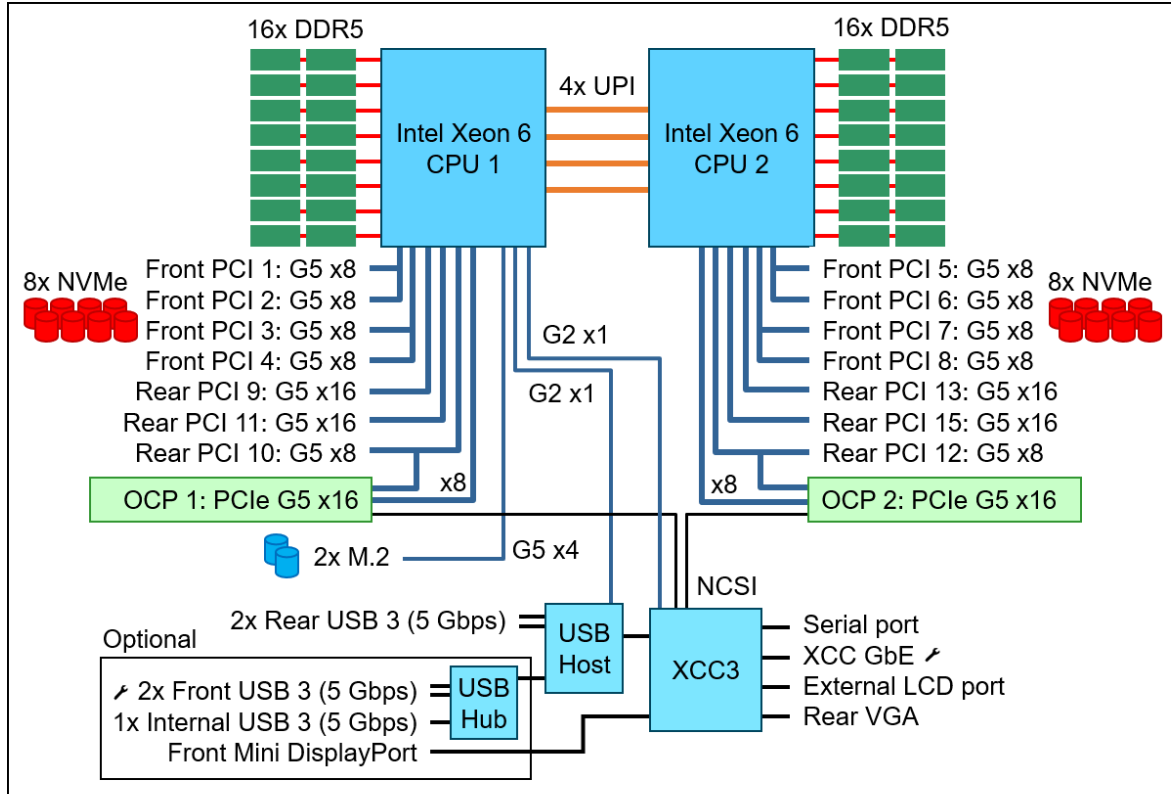


Figure 7. SR630 V4 system architectural block diagram

## Standard specifications

The following table lists the standard specifications.

Table 2. Standard specifications

Components	Specification
Machine types	<ul style="list-style-type: none"> <li>• 7DG8 - 1 year warranty</li> <li>• 7DG9 - 3 year warranty</li> <li>• 7DK1 - 3 year warranty - SR630 V4 with Compute Complex Neptune Core liquid cooling</li> <li>• 7DLM - 3 year warranty - SR630 V4 with SAP HANA</li> <li>• - 1 year warranty - SR630 V4 for vSAN</li> <li>• - 3 year warranty - SR630 V4 for vSAN</li> </ul>
Form factor	1U rack
Processor	<p>One or two Intel Xeon 6700P-series or 6500P-series processors (formerly codenamed "Granite Rapids"). Supports processors up to 86 cores and 172 threads, core speeds of up to 4.0 GHz, and TDP ratings of up to 350 W.</p> <p>One or two Intel Xeon 6700E-series processors (formerly codenamed "Sierra Forest"). Supports processors up to 144 cores, core speeds of up to 2.4 GHz, and TDP ratings of up to 330 W.</p>
Chipset	None. Integrated into the processor
Memory	32 DIMM slots with two processors (16 DIMM slots per processor). Each processor has 8 memory channels, with 2 DIMMs per channel (DPC). Lenovo TruDDR5 RDIMMs are supported. DIMMs operate at up to 6400 MHz at 1 DPC and up to 5200 MHz at 2 DPC. Xeon 6500P and 6700P-series processors also support MRDIMMs up to 8000 MHz at 1 DPC (no support for 2 DPC). Xeon 6500P and 6700P-series processors also support up to 8x CXL 2.0 memory DIMMs (4 per processor) installed in E3.S 2T drive bays.
Memory maximum	Up to 8TB by using 32x 256GB 3DS RDIMMs
Memory protection	ECC, SDDC (for x4-based memory DIMMs), ADDDC (for x4-based memory DIMMs), and memory mirroring.

Components	Specification
Disk drive bays	<p>Up to 12x 2.5-inch hot-swap drive bays plus M.2 drives:</p> <ul style="list-style-type: none"> <li>• Front bays can be one of the following: <ul style="list-style-type: none"> <li>○ 10x 2.5-inch hot-swap NVMe drive bays</li> <li>○ 10x 2.5-inch hot-swap: AnyBay drive bays (supports NVMe, SAS, or SATA)</li> <li>○ 10x 2.5-inch hot-swap: 6x SAS/SATA + 4x AnyBay</li> <li>○ 10x 2.5-inch hot-swap: 6x SAS/SATA + 4x NVMe</li> <li>○ 10x 2.5-inch hot-swap: 6x SAS/SATA + 2x AnyBay + 2x NVMe</li> <li>○ 8x 2.5-inch hot-swap NVMe drive bays</li> <li>○ 8x 2.5-inch hot-swap SAS/SATA</li> <li>○ 16x E3.S 1T NVMe hot-swap drives</li> <li>○ 8x E3.S 2T NVMe hot-swap drives</li> <li>○ 8x E3.S 1T + 4x E3.S 2T NVMe hot-swap drives</li> </ul> </li> <li>• Rear can be one of the following: <ul style="list-style-type: none"> <li>○ 2x 2.5-inch hot-swap NVMe bays</li> <li>○ 2x 2.5-inch hot-swap SAS/SATA bays</li> </ul> </li> <li>• M.2 support, for OS boot and drive storage support: <ul style="list-style-type: none"> <li>○ 2x front or rear hot-swap M.2 drive bays, or</li> <li>○ Internal M.2 module supporting up to two M.2 drives</li> </ul> </li> </ul> <p>See <a href="#">Supported drive bay combinations</a> for details. AnyBay bays support SAS, SATA or NVMe drives. NVMe bays only support NVMe drives. Rear drive bays can be used in conjunction with 2.5-inch front drive bays. The server supports up to 12x NVMe drives all with direct connections (no oversubscription).</p>
Maximum internal storage	<ul style="list-style-type: none"> <li>• 2.5-inch drives: <ul style="list-style-type: none"> <li>○ 368.64TB using 12x 30.72TB 2.5-inch SAS SSDs</li> <li>○ 92.16TB using 12x 7.68TB 2.5-inch SATA SSDs</li> <li>○ 184.32TB using 12x 15.36TB 2.5-inch NVMe SSDs</li> <li>○ 28.8TB using 12x 2.4TB 2.5-inch SAS HDDs</li> </ul> </li> <li>• EDSFF drives <ul style="list-style-type: none"> <li>○ 983.04TB using 16x 61.44TB E3.S EDSFF NVMe SSDs</li> </ul> </li> </ul>
Storage controllers	<ul style="list-style-type: none"> <li>• Onboard NVMe ports with optional RAID support using Intel VROC</li> <li>• NVMe RAID support using a Tri-mode RAID adapter</li> <li>• 12 Gb SAS/SATA RAID adapters, PCIe 4.0 or PCIe 3.0 host interface</li> <li>• 12 Gb SAS/SATA HBA (non-RAID), PCIe 4.0 or PCIe 3.0 host interface</li> </ul>
Optical drive bays	No internal optical drive.
Tape drive bays	No internal backup drive.
Network interfaces	Two dedicated OCP 3.0 SFF slots with a PCIe 5.0 host interface, either x8 or x16. Support a variety of 2-port and 4-port adapters with 1, 10, 25 and 100 GbE network connectivity. One port of each installed OCP adapter can optionally be shared with the XClarity Controller (XCC) management processor for Wake-on-LAN and NC-SI support.

Components	Specification
PCI Expansion slots	<p>Up to 3x slots, all at the rear, plus 2 OCP slots. All slots are PCIe 5.0.</p> <p>Choices for rear-access slots:</p> <ul style="list-style-type: none"> <li>• 3x PCIe 5.0 slots (1x full-height, 2x low-profile)</li> <li>• 2x PCIe 5.0 slots (1x full-height, 1x low-profile) + 2x hot-swap M.2 drive bays</li> <li>• 2x PCIe 5.0 slots (2x full-height)</li> <li>• 1x PCIe 5.0 slot (1x full-height) + 2x hot-swap 2.5-inch drive bays</li> </ul> <p>With support for open-loop water cooling, rear slots are as follows:</p> <ul style="list-style-type: none"> <li>• 2x PCIe 5.0 slots (1x full-height, 1x low-profile)</li> <li>• 1x PCIe 5.0 slot (1x full-height) + 2x hot-swap M.2 drive bays</li> </ul> <p>For details of these configurations, see the <a href="#">I/O expansion</a> for details.</p> <p>All configurations include at the rear of the server:</p> <ul style="list-style-type: none"> <li>• 2x OCP slots with PCIe 5.0 x16 or x8 connection</li> </ul> <p>For 2.5-inch front drive configurations, the server supports the installation of a CFF RAID adapter or HBA in a dedicated area that does not consume any of the rear PCIe slots.</p> <p><b>Note:</b> Some slots are not available in a 1-processor configuration. See the <a href="#">I/O expansion</a> for details.</p>
GPU support	Support for up to 3x single-wide GPUs
Ports	<p>Front: External diagnostics port, optional 2x USB 3 (5 Gb/s) port, one supports XCC local management, optional Mini DisplayPort 1.1a video port.</p> <p>Rear: 2x USB 3 (5 Gb/s) ports, 1x VGA video port, 1x RJ-45 1GbE systems management port for XCC remote management. Optional DB-9 COM serial port (installs in a slot). Support for an optional adapter to share an incoming remote management network connection across 4 servers (installs in an OCP slot).</p> <p>Internal: Optional 1x USB 3 (5 Gb/s) connector for operating system or license key purposes</p>
Cooling	Up to 8x N+1 dual-rotor or single-rotor hot-swap 40 mm fans, implemented as 2-in-1 fan modules. Fans are N+1 rotor redundant. Fan select is configuration dependent. There is also one fan integrated in each power supply. For customers with water infrastructure in their data center, the server also supports open-loop water cooling for efficient heat removal.
Power supply	Up to two hot-swap redundant AC power supplies, 80 PLUS Platinum or 80 PLUS Titanium certification. 800W, 1300W, 2000W AC options. All AC power supplies support 230V power; some also support 115V input supply. In China only, all power supply options support 240 V DC. Support for HVDC and -48V DC power supply options.
Video	Embedded graphics with 16 MB memory with 2D hardware accelerator, integrated into the XClarity Controller 3 management controller. Two video ports (rear VGA and optional front Mini DisplayPort); both can be used simultaneously if desired. Maximum resolution is 1920x1200 32bpp at 60Hz.
Hot-swap parts	Drives, power supplies, and fans.
Systems management	Operator panel with status LEDs. Optional External Diagnostics Handset with LCD display. Clarity Controller 3 (XCC3) embedded management based on the ASPEED AST2600 baseboard management controller (BMC) and OpenBMC, XClarity Administrator centralized infrastructure delivery, XClarity Integrator plugins, and XClarity Energy Manager centralized server power management. Optional XCC3 Premier to enable remote control functions and other features.
Security features	Chassis intrusion switch, Power-on password, administrator's password, Root of Trust module supporting TPM 2.0 and Platform Firmware Resiliency (PFR). Optional lockable front security bezel.
Operating systems supported	Microsoft Windows Server, Red Hat Enterprise Linux, SUSE Linux Enterprise Server, VMware ESXi, Ubuntu Server. See the <a href="#">Operating system support</a> section for specifics.

Components	Specification
Limited warranty	Three-year or one-year (model dependent) customer-replaceable unit and onsite limited warranty with 9x5 next business day (NBD).
Service and support	Optional service upgrades are available through Lenovo Services: 4-hour or 2-hour response time, 6-hour fix time, 1-year or 2-year warranty extension, software support for Lenovo hardware and some third-party applications.
Dimensions	Width: 440 mm (17.3 in.), height: 43 mm (1.7 in.), depth: 788 mm (31 in.). Servers with E3.S front drives have a longer depth. drive See <a href="#">Physical and electrical specifications</a> for details.
Weight	Maximum weight: <ul style="list-style-type: none"> <li>• 2.5-inch drive config: 18.27 kg (40.28 lb)</li> <li>• E3.S drive config: 19.6 kg (43.21 lb)</li> </ul>

## Top Choice

Lenovo offers two “quick-ship” programs to make it easy for our customers to get quick delivery of our offerings:

- **Top Choice Express (TCE):** A Configure-to-Order (CTO) model that uses a "best of" subset of components. It allows for customization while maintaining significantly faster lead times than standard CTO.

Top Choice Express (TCE) is the way to get custom configurations as quickly as possible. It allows DCSC configurator users to configure systems in **CTO Mode**, selecting the required hardware components while still benefiting from faster turnaround than traditional CTO. These configurations are built and fully integrated by Lenovo Manufacturing, with simple configuration steps, instant pricing, and quicker delivery.

To see which components are TCE, check the TCE column in the various component tables in this product guide. **Green cells** mean that the component is enabled for ordering with Top Choice Express in all regions world-wide. **Orange cells** with the ⓘ symbol mean that the component is enable for Top Choice Express in only some regions. Mouse over or tap on the cell to see which regions have it enabled for TCE.

Note: Top Choice Express is for configure-to-order builds only, not for standalone option part numbers.

- **Top Choice Stock (TCS):** Pre-built, fixed-configuration units held in distribution. They are the "Ready-to-Ship" inventory options for customers who need a server quickly.

Top Choice Stock (TCS) is used in **Preconfigured Mode**, starting from a standard pre-built configuration and adding option components as needed. Systems are assembled and fulfilled by Lenovo partners, enabling quick order processing and fast shipment through distribution. This path supports rapid delivery while maintaining flexibility through add-on options. For details of TCS models, see the [Preconfigured Models](#) section.

Note: Ship dates are estimates only; actual ship times may vary based on platform and component availability, order processing, logistics, and external factors beyond Lenovo’s control. Lenovo is not liable for delays.

## Models

ThinkSystem SR630 V4 models can be configured by using the [Lenovo Data Center Solution Configurator \(DCSC\)](#).

Topics in this section:

- [CTO models](#)

- [CTO models for Windows 10 and Windows 11](#)
- [Base feature codes](#)
- [Preconfigured models](#)

## CTO models

ThinkSystem SR630 V4 models can be configured by using the [Lenovo Data Center Solution Configurator \(DCSC\)](#).

Configure-to-order (CTO) models are used to create models with factory-integrated server customizations. For CTO models, two types of base CTO models are available for the SR630 V4 as listed in the columns in the following table:

- General purpose base CTO models are for general business (non-HPC) and is selectable by choosing **General Purpose** mode in DCSC.
- AI and HPC base models are intended for Artificial Intelligence (AI) and High Performance Computing (HPC) configurations and solutions are enabled using the **AI & HPC Hardware - ThinkSystem Hardware** mode in DCSC. These configurations, along with Lenovo EveryScale Solutions, can also be built using [System x and Cluster Solutions Configurator \(x-config\)](#). **Tip:** Some HPC and AI models are not listed in DCSC and can only be configured in x-config.

Preconfigured server models may also be available for the SR630 V4, however these are region-specific; that is, each region may define their own server models, and not all server models are available in every region.

The following table lists the base CTO models of the ThinkSystem SR630 V4 server.

Table 3. Base CTO models

Machine Type/Model General purpose	Machine Type/Model for AI and HPC	Description
7DG9CTO1WW	7DG9CTOLWW	ThinkSystem SR630 V4 – 3-year base warranty
7DG8CTO1WW	7DG8CTOLWW	ThinkSystem SR630 V4 – 1-year base warranty
7DLMCTO1WW	7DLMCTOLWW	ThinkSystem SR630 V4 – SAP HANA configurations with 3-year base warranty

The SR630 V4 uses an additional machine type of 7DK1 for Neptune Core water-cooled servers where memory is water-cooled in addition to the two CPUs, as listed in the following table.

Servers of machine type 7DK1 share components with machine types 7DG9, however the system board is different. Specifically, there are fewer DIMM slots and the DIMM slots are spaced wider apart to accommodate the heat-transfer components.

Table 4. Base CTO models for CPU+Memory water cooling

Machine Type/Model General purpose	Machine Type/Model for AI and HPC	Description
7DK1CTO1WW	-	ThinkSystem SR630 V4 CPU+DIMM DWC - 3yr Warranty

## CTO models for Windows 10 and Windows 11

The SR630 V4 can run Windows 10 and Windows 11, however only a subset of adapters and drives can be installed. For ease of configuration, the following Base CTO models have been announced to assist building a configuration that can be used with the client operating systems.

Table 5. Base CTO models for SR630 V4 with Windows 10 and Windows 11

Machine Type/Model	Description
7DG9CTO2WW	ThinkSystem SR630 V4 Workstation - 3 year Warranty
7DG8CTO2WW	ThinkSystem SR630 V4 Workstation - 1 year Warranty

## Base feature codes

Models of the SR630 V4 are defined based on the configuration of front drives. The feature codes for these chassis bases are as listed in the following table.

Table 6. Chassis base feature codes

Feature code	Description	Top Choice Express	Purpose
C1XE	ThinkSystem 1U V4 10x2.5" Chassis	TCE	Configurations with front 2.5-inch hot-swap drives
C1XG	ThinkSystem 1U V4 E3.S Chassis	Not TCE	Configurations with front E3.S drive bays

## Preconfigured models

The following tables list the available preconfigured models, grouped by region.

- [Models for Asia Pacific region](#)
- [Models for South East Asian countries \(ASEAN\)](#)
- [Models for Brazil](#)
- [Models for EMEA region](#)
- [Models for Latin American countries \(except Brazil\)](#)

Refer to the Specifications section for information about standard features of the server.

Common to all models:

- Power supplies are Platinum unless otherwise stated
- All models include a Toolless Slide Rail Kit

## Models for Asia Pacific region

The following table lists the models for the Asia Pacific region: Australia, Bangladesh, Brunei, Hong Kong, India, Japan, Korea, Sri Lanka, Malaysia, New Zealand, Philippines, Singapore, Thailand, Taiwan, Vietnam

Table 7. Models for Asia Pacific markets

Model	Top Choice Stock	Intel Xeon 6 processor†	Memory	RAID	Drive bays	OCP	Slots	Power supply	Fan mod. (2 fans ea.)	Internal USB	Front USB/DP	XCC3	Intru switch
Models with a 3-year warranty (machine type 7DG9)													
<b>Models with Intel Xeon 6500P and 6700P Series processors</b>													
7DG9A01XAP	N	1x 6505P 12C 150W 2.2GHz	1x 16GB	940-8i 4GB	8x 2.5" SAS/SATA; Open bay	1x 4- 1Gb 5719	2x x16 G5 (LP,FH)	2x800W PT	3x Std	Y	Y	Std	Opt
7DG9A01VAP	N	1x 6507P 8C 150W 3.5GHz	1x 16GB	940-8i 4GB	8x 2.5" SAS/SATA; Open bay	1x 4- 1Gb 5719	2x x16 G5 (LP,FH)	2x800W PT	3x Perf	Y	Y	Std	Opt
7DG9A02FAP	Y	1x 6507P 8C 150W 3.5GHz	1x 32GB 2Rx8	940-8i 4GB	8x 2.5" SAS/SATA; Open bay	1x 4- 1Gb 5719	2x x16 G5 (LP,FH)	2x800W PT	3x Std	Opt	Opt	Pre	Opt
7DG9A02HAP	Y	1x 6507P 8C 150W 3.5GHz	1x 16GB	940-8i 4GB	8x 2.5" SAS/SATA; Open bay	1x 4- 1Gb 5719	2x x8 G5 (LP,FH)	2x800W PT	3x Perf	Opt	Opt	Pre	Opt
7DG9A01WAP	N	1x 6515P 16C 150W 2.3GHz	1x 16GB	940-8i 4GB	8x 2.5" SAS/SATA; Open bay	1x 4- 1Gb 5719	2x x16 G5 (LP,FH)	2x800W PT	3x Std	Y	Y	Std	Opt
7DG9A02GAP	Y	1x 6515P 16C 150W 2.3GHz	1x 16GB	940-8i 4GB	8x 2.5" SAS/SATA; Open bay	1x 4- 1Gb 5719	2x x8 G5 (LP,FH)	2x800W PT	3x Perf	Opt	Opt	Pre	Opt

† Processor description: Processor model, number of cores, thermal design power (TDP), core frequency

## Models for South East Asian countries (ASEAN)

Table 8. Models for South East Asian countries (ASEAN)

Model	Top Choice Stock	Intel Xeon 6 processor†	Memory	RAID	Drive bays	OCP	Slots	Power supply	Fan mod. (2 fans ea.)	Internal USB	Front USB/DP	XCC3	Intru switch
Models with a 3-year warranty (machine type 7DG9)													
<b>Models with Intel Xeon 6500P and 6700P Series processors</b>													
7DG9A026SG	N	1x 6505P 12C 150W 2.2GHz	1x 16GB	940-8i 4GB	8x 2.5" SAS/SATA; 2x 1.2TB SAS HDD	1x 4-1Gb 5719	2x x16 G5 (LP,FH)	2x800W PT	3x Std	Opt	Opt	Pre	Opt
7DG9A023SG	N	2x 6517P 16C 190W 3.2GHz	2x 32GB 2Rx8	940-8i 4GB	8x 2.5" SAS/SATA; 4x 2.4TB SAS HDD	1x 2-10GbT 57416	2x x16 G5 (LP,FH)	2x800W PT	4x Std	Opt	Opt	Pre	Opt
7DG9A02ASG	N	1x 6517P 16C 190W 3.2GHz	4x 32GB 2Rx8	940-8i 4GB	8x 2.5" SAS/SATA; 2x 480GB VA RI SATA	1x 2-10GbT 57416	2x x16 G5 (LP,FH)	2x1300W PT	3x Std	Opt	Opt	Pre	Opt
7DG9A02NSG	N	2x 6517P 16C 190W 3.2GHz	2x 32GB 2Rx8	940-8i 4GB	8x 2.5" SAS/SATA; 4x 2.4TB SAS HDD	1x 2-10GbT 57416	2x x16 G5 (LP,FH)	2x800W PT	4x Std	Opt	Opt	Pre	Opt

† Processor description: Processor model, number of cores, thermal design power (TDP), core frequency

## Models for Brazil

Table 9. Models for Brazil

Model	Top Choice Stock	Intel Xeon 6 processor†	Memory	RAID	Drive bays	OCF	Slots	Power supply	Fan mod. (2 fans ea.)	Internal USB	Front USB/DP	XCC3	Intru switch
Models with a 3-year warranty (machine type 7DG9)													
<b>Models with Intel Xeon 6500P and 6700P Series processors</b>													
7DG9100RBR	N	1x 6505P 12C 150W 2.2GHz	1x 32GB 2Rx8	940-8i 4GB	8x 2.5" SAS/SATA; Open bay; 2x 480GB 5400 PRO M.2; 1x M.2 B540p Rear RAID	Open	2x x16 G5 (LP,FH)	2x800W PT	3x Perf	Opt	Opt	Pre	Y
7DG9100SBR	N	1x 6505P 12C 150W 2.2GHz	1x 32GB 2Rx8	VROC optional	2.5" Open backplane; Open bay	Open	Open	2x800W PT	3x Perf	Opt	Opt	Pre	Y
7DG9100YBR	Y	1x 6505P 12C 150W 2.2GHz	1x 32GB 2Rx8	940-8i 4GB	8x 2.5" SAS/SATA; Open bay	1x 4- 1Gb 5719	2x x16 G5 (LP,FH)	2x800W PT	3x Perf	Opt	Opt	Pre	Opt
7DG9A03FBR	N	1x 6505P 12C 150W 2.2GHz	1x 32GB 2Rx8	940-8i 4GB	8x 2.5" SAS/SATA; 1x 1.2TB SAS HDD	1x 4- 1Gb 5719	2x x16 G5 (LP,FH)	2x1300W PT	3x Std	Opt	Opt	Pre	Opt
7DG9100WBR	N	1x 6515P 16C 150W 2.3GHz	1x 32GB 2Rx8	940-8i 4GB	8x 2.5" SAS/SATA; Open bay; 2x 960GB 5400 PRO M.2; 1x M.2 B540p Rear RAID	Open	2x x16 G5 (LP,FH)	2x800W PT	3x Perf	Opt	Opt	Pre	Y
7DG9100ZBR	N	1x 6515P 16C 150W 2.3GHz	1x 32GB 2Rx8	940-8i 4GB	8x 2.5" SAS/SATA; Open bay	1x 4- 1Gb 5719	2x x16 G5 (LP,FH)	2x800W PT	3x Perf	Opt	Opt	Pre	Opt
7DG9100VBR	N	1x 6520P 24C 210W 2.4GHz	1x 64GB	940-8i 4GB	8x 2.5" SAS/SATA; Open bay	Open	2x x16 G5 (LP,FH)	2x800W PT	3x Perf	Opt	Opt	Pre	Y
7DG9100XBR	N	1x 6520P 24C 210W 2.4GHz	1x 64GB	940-8i 4GB	8x 2.5" SAS/SATA; Open bay; 2x 960GB 5400 PRO M.2; 1x M.2 B540p Rear RAID	Open	2x x16 G5 (LP,FH)	2x800W PT	3x Perf	Opt	Opt	Pre	Y
7DG91010BR	N	1x 6520P 24C 210W 2.4GHz	1x 64GB	940-8i 4GB	8x 2.5" SAS/SATA; Open bay; 2x 960GB ER3 M.2; 1x M.2 B540p Rear RAID	1x 2- 10GbT 57416	2x x8 G5 (LP,FH)	2x800W PT	3x Perf	Opt	Opt	Std	Opt

† Processor description: Processor model, number of cores, thermal design power (TDP), core frequency

## Models for EMEA region

Table 10. Models for EMEA region

Model	Top Choice Stock	Intel Xeon 6 processor†	Memory	RAID	Drive bays	OCP	Slots	Power supply	Fan mod. (2 fans ea.)	Internal USB	Front USB/DP	XCC3	Intru switch
Models with a 3-year warranty (machine type 7DG9)													
Models with Intel Xeon 6700E Series processors													
Models with Intel Xeon 6500P and 6700P Series processors													
7DG9A010EA	N	1x 6505P 12C 150W 2.2GHz	1x 32GB 2Rx8	940-8i 4GB	8x 2.5" SAS/SATA; Open bay	Open	2x x16 G5 (LP,FH)	1x1300W TT Prem	3x Std	Y	Y	Pre	Y
7DG9A015EA	N	1x 6505P 12C 150W 2.2GHz	4x 64GB	940-8i 4GB	8x 2.5" SAS/SATA; Open bay	Open	2x x16 G5 (LP,FH)	1x1300W TT Prem	3x Perf	Y	Y	Pre	Y
7DG9A02REA	N	1x 6505P 12C 150W 2.2GHz	1x 32GB 2Rx8	VROC optional	2.5" Open backplane; Open bay	Open	Open	2x1300W TT Prem	3x Perf	Opt	Opt	Pre	Y
7DG9A012EA	N	1x 6515P 16C 150W 2.3GHz	4x 64GB	940-8i 4GB	8x 2.5" SAS/SATA; Open bay	Open	2x x16 G5 (LP,FH)	1x1300W TT Prem	3x Perf	Y	Y	Pre	Y
7DG9A01KEA	N	1x 6515P 16C 150W 2.3GHz	1x 32GB 2Rx8	940-8i 4GB	8x 2.5" SAS/SATA; Open bay	Open	2x x16 G5 (LP,FH)	1x1300W TT Prem	3x Std	Y	Y	Pre	Y
7DG9A02QEA	N	1x 6515P 16C 150W 2.3GHz	1x 32GB 2Rx8	940-8i 4GB	8x 2.5" SAS/SATA; Open bay	Open	2x x16 G5 (LP,FH)	2x1300W TT Prem	3x Perf	Opt	Opt	Pre	Y
7DG9A01BEA	N	1x 6517P 16C 190W 3.2GHz	4x 64GB	940-8i 4GB	8x 2.5" SAS/SATA; Open bay	Open	2x x16 G5 (LP,FH)	1x1300W TT Prem	3x Perf	Y	Y	Pre	Y
7DG9A01GEA	N	1x 6517P 16C 190W 3.2GHz	1x 32GB 2Rx8	940-8i 4GB	8x 2.5" SAS/SATA; Open bay	Open	2x x16 G5 (LP,FH)	1x1300W TT Prem	3x Std	Y	Y	Pre	Y
7DG9100PEA	N	1x 6520P 24C 210W 2.4GHz	1x 64GB	940-8i 4GB	8x 2.5" SAS/SATA; Open bay	Open	2x x16 G5 (LP,FH)	2x800W TT	3x Perf	Opt	Opt	Pre	Y
7DG9A017EA	N	1x 6530P 32C 225W 2.3GHz	4x 64GB	940-8i 4GB	8x 2.5" SAS/SATA; Open bay	Open	2x x16 G5 (LP,FH)	1x1300W TT Prem	3x Perf	Y	Y	Pre	Y
7DG9A01DEA	N	1x 6530P 32C 225W 2.3GHz	1x 32GB 2Rx8	940-8i 4GB	8x 2.5" SAS/SATA; Open bay	Open	2x x16 G5 (LP,FH)	1x1300W TT Prem	3x Perf	Y	Y	Pre	Y
7DG9A019EA	N	1x 6724P 16C 210W 3.6GHz	4x 64GB	940-8i 4GB	8x 2.5" SAS/SATA; Open bay	Open	2x x16 G5 (LP,FH)	1x1300W TT Prem	3x Perf	Y	Y	Pre	Y
7DG9A01JEA	N	1x 6724P 16C 210W 3.6GHz	1x 32GB 2Rx8	940-8i 4GB	8x 2.5" SAS/SATA; Open bay	Open	2x x16 G5 (LP,FH)	1x1300W TT Prem	3x Perf	Y	Y	Pre	Y

† Processor description: Processor model, number of cores, thermal design power (TDP), core frequency

## Models for Latin American countries (except Brazil)

Table 11. Models with a 3-year warranty for Latin American countries (except Brazil)

Model	Top Choice Stock	Intel Xeon 6 processor†	Memory	RAID	Drive bays	OCF	Slots	Power supply	Fan mod. (2 fans ea.)	Internal USB	Front USB/DP	XCC3	Intru switch
Models with a 3-year warranty (machine type 7DG9)													
<b>Models with Intel Xeon 6500P and 6700P Series processors</b>													
7DG91001LA	N	1x 6505P 12C 150W 2.2GHz	1x 64GB	940-8i 4GB	8x 2.5" SAS/SATA; Open bay; 2x 480GB 5400 PRO M.2; 1x M.2 B540p Rear RAID	1x 4- 1Gb 5719	2x x16 G5 (LP,FH)	2x800W PT	3x Perf	Opt	Opt	Std	Opt
7DG9100ELA	N	1x 6505P 12C 150W 2.2GHz	1x 32GB 2Rx8	940-8i 4GB	8x 2.5" SAS/SATA; Open bay; 2x 480GB ER3 M.2; 1x M.2 B540p Rear RAID	1x 4- 1Gb 5719	2x x8 G5 (LP,FH)	2x800W PT	3x Perf	Opt	Opt	Std	Opt
7DG9100HLA	Y	1x 6505P 12C 150W 2.2GHz	1x 32GB 2Rx8	940-8i 4GB	8x 2.5" SAS/SATA; Open bay; 1x M.2 B540p Rear RAID	1x 4- 1Gb 5719	2x x16 G5 (LP,FH)	2x800W PT	3x Perf	Opt	Opt	Pre	Opt
7DG9100QLA	N	1x 6505P 12C 150W 2.2GHz	1x 32GB 2Rx8	VROC optional	2.5" Open backplane; Open bay	Open	Open	2x800W PT	3x Perf	Opt	Opt	Pre	Opt
7DG9100RLA	N	1x 6505P 12C 150W 2.2GHz	1x 32GB 2Rx8	940-8i 4GB	8x 2.5" SAS/SATA; Open bay; 2x 480GB 5400 PRO M.2; 1x M.2 B540p Rear RAID	Open	2x x16 G5 (LP,FH)	2x800W PT	3x Perf	Opt	Opt	Pre	Y
7DG9100SLA	N	1x 6505P 12C 150W 2.2GHz	1x 32GB 2Rx8	VROC optional	2.5" Open backplane; Open bay	Open	Open	2x800W PT	3x Perf	Opt	Opt	Pre	Y
7DG9100FLA	N	1x 6515P 16C 150W 2.3GHz	1x 32GB 2Rx8	940-8i 4GB	8x 2.5" SAS/SATA; Open bay; 2x 960GB ER3 M.2; 1x M.2 B540p Rear RAID	1x 4- 1Gb 5719	2x x8 G5 (LP,FH)	2x800W PT	3x Perf	Opt	Opt	Std	Opt
7DG9100JLA	Y	1x 6515P 16C 150W 2.3GHz	1x 32GB 2Rx8	940-8i 4GB	8x 2.5" SAS/SATA; Open bay; 1x M.2 B540p Rear RAID	1x 4- 1Gb 5719	2x x16 G5 (LP,FH)	2x800W PT	3x Perf	Opt	Opt	Pre	Opt
7DG9100TLA	N	1x 6515P 16C 150W 2.3GHz	1x 32GB 2Rx8	940-8i 4GB	8x 2.5" SAS/SATA; Open bay; 2x 960GB 7450 PRO M.2; 1x M.2 B540p Rear RAID	Open	2x x16 G5 (LP,FH)	2x800W PT	3x Perf	Opt	Opt	Pre	Y
7DG9100GLA	N	1x 6520P 24C 210W 2.4GHz	1x 64GB	940-8i 4GB	8x 2.5" SAS/SATA; Open bay; 2x 960GB ER3 M.2; 1x M.2 B540p Rear RAID	1x 2- 10GbT 57416	2x x8 G5 (LP,FH)	2x800W PT	3x Perf	Opt	Opt	Std	Opt

<b>Model</b>	<b>Top Choice Stock</b>	<b>Intel Xeon 6 processor†</b>	<b>Memory</b>	<b>RAID</b>	<b>Drive bays</b>	<b>OCP</b>	<b>Slots</b>	<b>Power supply</b>	<b>Fan mod. (2 fans ea.)</b>	<b>Internal USB</b>	<b>Front USB/DP</b>	<b>XCC3</b>	<b>Intru switch</b>
7DG9100KLA	N	1x 6520P 24C 210W 2.4GHz	1x 64GB	940-8i 4GB	8x 2.5" SAS/SATA; Open bay; 1x M.2 B540p Rear RAID	1x 2- 10GbT 57416	2x x16 G5 (LP,FH)	2x800W PT	3x Perf	Opt	Opt	Std	Opt
7DG9100ULA	N	1x 6520P 24C 210W 2.4GHz	1x 64GB	940-8i 4GB	8x 2.5" SAS/SATA; Open bay; 2x 960GB 7450 PRO M.2; 1x M.2 B540p Rear RAID	Open	2x x16 G5 (LP,FH)	2x800W PT	3x Perf	Opt	Opt	Pre	Y
7DG9100VLA	N	1x 6520P 24C 210W 2.4GHz	1x 64GB	940-8i 4GB	8x 2.5" SAS/SATA; Open bay	Open	2x x16 G5 (LP,FH)	2x800W PT	3x Perf	Opt	Opt	Pre	Y

† Processor description: Processor model, number of cores, thermal design power (TDP), core frequency

## Processors

The SR630 V4 supports one or two of the following Intel processors:

- Intel Xeon 6500-series with P-cores (formerly "Granite Rapids" or GNR)
- Intel Xeon 6700-series with P-cores (formerly "Granite Rapids" or GNR)
- Intel Xeon 6700-series with E-cores (formerly "Sierra Forest" or SRF)

Topics in this section:

- [Processor options](#)
- [Processor features](#)
- [One-processor configurations](#)
- [Processor cooling](#)
- [Processor heatsinks for field upgrades \(special use cases\)](#)
- [Lenovo Processor Neptune Air Module - Closed-loop liquid cooling](#)
- [Lenovo Processor Neptune Core Module - Open-loop liquid cooling](#)
- [Lenovo Compute Complex Neptune Core Module - Open-loop liquid cooling](#)
- [UEFI operating modes](#)

### Processor options

The following table lists the Intel Xeon 6 processors with P-cores that are supported by the SR630 V4.

**Compute Complex Neptune Core Module support:** As described in the [Lenovo Compute Complex Neptune Core Module - Open-loop liquid cooling](#) section, two processors are required. As a result, if you are configuring the SR630 V4 with machine type 7DK1, then the CPUs with a maximum quantity of only 1 processor are not supported.

The table includes a Top Choice Express column; for CTO orders, select a TCE component for faster delivery. See the [Top Choice](#) section for more information.

Table 13. Intel Xeon 6 P-core processor support

Part number	Feature code	SKU	Description	Top Choice Express	Maximum quantity
<b>Intel Xeon 6500-series with P-cores</b>					
4XG7B04167	C5QQ	6505P	ThinkSystem SR630 V4 Intel Xeon 6505P 12C 150W 2.2GHz Processor w/o fan	TCE	2
4XG7B04164	C5R6	6507P	ThinkSystem SR630 V4 Intel Xeon 6507P 8C 150W 3.5GHz Processor w/o fan	Not TCE	2
CTO only	C5RB	6511P	Intel Xeon 6511P 16C 150W 2.3GHz Processor	Not TCE	1*
4XG7B04169	C5RD	6515P	ThinkSystem SR630 V4 Intel Xeon 6515P 16C 150W 2.3GHz Processor w/o fan	TCE	2
4XG7B04165	C5QV	6517P	ThinkSystem SR630 V4 Intel Xeon 6517P 16C 190W 3.2GHz Processor w/o fan	TCE	2
4XG7B04171	C5QR	6520P	ThinkSystem SR630 V4 Intel Xeon 6520P 24C 210W 2.4GHz Processor w/o fan	TCE	2
CTO only	C5R9	6521P	Intel Xeon 6521P 24C 225W 2.6GHz Processor	Not TCE	1*
4XG7B04160	C659	6527P	ThinkSystem SR630 V4 Intel Xeon 6527P 24C 255W 3.0GHz Processor w/o fan	TCE	2
4XG7B04155	C5QT	6530P	ThinkSystem SR630 V4 Intel Xeon 6530P 32C 225W 2.3GHz Processor w/o fan	TCE	2

Part number	Feature code	SKU	Description	Top Choice Express	Maximum quantity
<b>Intel Xeon 6700-series with P-cores</b>					
4XG7B04166	C5R7	6714P	ThinkSystem SR630 V4 Intel Xeon 6714P 8C 165W 4.0GHz Processor w/o fan	Not TCE	2
4XG7B04168	C5R5	6724P	ThinkSystem SR630 V4 Intel Xeon 6724P 16C 210W 3.6GHz Processor w/o fan	TCE	2
CTO only	CE89	6725P	Intel Xeon 6725P 16C 235W 3.7GHz Processor	Not TCE	2
4XG7B04157	C5R4	6730P	ThinkSystem SR630 V4 Intel Xeon 6730P 32C 250W 2.5GHz Processor w/o fan	Not TCE	2
CTO only	C5QN	6731P	Intel Xeon 6731P 32C 245W 2.5GHz Processor	Not TCE	1*
CTO only	CARB	6732P	Intel Xeon 6732P 32C 350W 3.8GHz Processor	Not TCE	2
4XG7B04162	C5R0	6736P	ThinkSystem SR630 V4 Intel Xeon 6736P 36C 205W 2.0GHz Processor w/o fan	Not TCE	2
4XG7B04170	C5QX	6737P	ThinkSystem SR630 V4 Intel Xeon 6737P 32C 270W 2.9GHz Processor w/o fan	TCE ⓘ	2
4XG7B04159	C5R3	6740P	ThinkSystem SR630 V4 Intel Xeon 6740P 48C 270W 2.1GHz Processor w/o fan	Not TCE	2
CTO only	C5QU	6741P	Intel Xeon 6741P 48C 300W 2.5GHz Processor	Not TCE	1*
4XG7B09267	CARA	6745P	ThinkSystem SR630 V4 Intel Xeon 6745P 32C 300W 3.1GHz Processor w/o fan	Not TCE	2
4XG7B04154	C5R8	6747P	ThinkSystem SR630 V4 Intel Xeon 6747P 48C 330W 2.7GHz Processor w/o fan	Not TCE	2
4XG7B04161	C5R1	6760P	ThinkSystem SR630 V4 Intel Xeon 6760P 64C 330W 2.2GHz Processor w/o fan	Not TCE	2
CTO only	C5QW	6761P	Intel Xeon 6761P 64C 350W 2.5GHz Processor	Not TCE	1*
4XG7B04156	C5QY	6767P	ThinkSystem SR630 V4 Intel Xeon 6767P 64C 350W 2.4GHz Processor w/o fan	Not TCE	2
CTO only	C5QP	6781P	Intel Xeon 6781P 80C 350W 2.0GHz Processor	Not TCE	1*
4XG7B04158	C5QM	6787P	ThinkSystem SR630 V4 Intel Xeon 6787P 86C 350W 2.0GHz Processor w/o fan	Not TCE	2

\* These processors are only supported in 1-socket configurations; configure-to-order (CTO) only, no field upgrades are supported, not supported with Compute Complex Neptune Core (machine type 7DK1)  
The following table lists the Intel Xeon 6700-series processors with E-cores that are currently supported by the SR630 V4.

Table 14. Intel Xeon 6700 E-core processor support

Part number	Feature code	SKU	Description	Top Choice Express	Maximum quantity
<b>Intel Xeon 6700-series with E-cores</b>					
4XG7A96812	C2ZD	6710E	ThinkSystem SR630 V4 Intel Xeon 6710E 64C 205W 2.4GHz Processor w/o Fan	Not TCE	2
None*	C2ZR	6731E	Intel Xeon 6731E 96C 250W 2.2GHz Processor	Not TCE	1
4XG7A96810	C2ZQ	6740E	ThinkSystem SR630 V4 Intel Xeon 6740E 96C 250W 2.4GHz Processor w/o Fan	Not TCE	2
4XG7A96814	C2ZF	6746E	ThinkSystem SR630 V4 Intel Xeon 6746E 112C 250W 2.0GHz Processor w/o Fan	Not TCE	2

Part number	Feature code	SKU	Description	Top Choice Express	Maximum quantity
4XG7A96813	C2ZE	6756E	ThinkSystem SR630 V4 Intel Xeon 6756E 128C 225W 1.8GHz Processor w/o Fan	Not TCE	2
4XG7A96815	C2ZG	6766E	ThinkSystem SR630 V4 Intel Xeon 6766E 144C 250W 1.9GHz Processor w/o Fan	Not TCE	2
4XG7A96809	C2ZP	6780E	ThinkSystem SR630 V4 Intel Xeon 6780E 144C 330W 2.2GHz Processor w/o Fan	Not TCE	2

\* Processor 6731E is only supported in 1-socket configurations; configure-to-order (CTO) only, no field upgrades are supported

## Processor features

Processors supported by the SR630 V4 include embedded accelerators to add even more processing capability:

- QuickAssist Technology (Intel QAT)  
Help reduce system resource consumption by providing accelerated cryptography, key protection, and data compression with Intel QuickAssist Technology (Intel QAT). By offloading encryption and decryption, this built-in accelerator helps free up processor cores and helps systems serve a larger number of clients.
- Intel Dynamic Load Balancer (Intel DLB)  
Improve the system performance related to handling network data on multi-core Intel Xeon Scalable processors. Intel Dynamic Load Balancer (Intel DLB) enables the efficient distribution of network processing across multiple CPU cores/threads and dynamically distributes network data across multiple CPU cores for processing as the system load varies. Intel DLB also restores the order of networking data packets processed simultaneously on CPU cores.
- Intel Data Streaming Accelerator (Intel DSA)  
Drive high performance for storage, networking, and data-intensive workloads by improving streaming data movement and transformation operations. Intel Data Streaming Accelerator (Intel DSA) is designed to offload the most common data movement tasks that cause overhead in data center-scale deployments. Intel DSA helps speed up data movement across the CPU, memory, and caches, as well as all attached memory, storage, and network devices.
- Intel In-Memory Analytics Accelerator (Intel IAA)  
Run database and analytics workloads faster, with potentially greater power efficiency. Intel In-Memory Analytics Accelerator (Intel IAA) increases query throughput and decreases the memory footprint for in-memory database and big data analytics workloads. Intel IAA is ideal for in-memory databases, open source databases and data stores like RocksDB, Redis, Cassandra, and MySQL.
- Intel Advanced Matrix Extensions (Intel AMX) (P-core processors only, not E-core processors)  
Intel Advanced Matrix Extensions (Intel AMX) is a built-in accelerator in Xeon 6 P-core processors that significantly improves deep learning training and inference. With Intel AMX, you can fine-tune deep learning models or train small to medium models in just minutes. Intel AMX offers discrete accelerator performance without added hardware and complexity.

The processors also support a separate and encrypted memory space, known as the SGX Enclave, for use by Intel Software Guard Extensions (SGX). The size of the SGX Enclave supported varies by processor model. Intel SGX offers hardware-based memory encryption that isolates specific application code and data in memory. It allows user-level code to allocate private regions of memory (enclaves) which are designed to be protected from processes running at higher privilege levels.

The following table summarizes the key features of the Intel Xeon 6 P-core processors that are supported in

the SR630 V4.

Table 15. Intel 6 P-core processor features

CPU model	Die	Cores/ threads	Core speed (Base / TB max)	L3 cache	Mem. chan	Max RDIMM speed	Max MRDIMM speed	UPI 2.0 links & speed	PCIe lanes	TDP	Accelerators				SGX Enclave Size
											QAT	DLB	DSA	IAA	
Intel Xeon 6500-series with P-cores															
6505P	LCC	12 / 24	2.2GHz / 4.1 GHz	48 MB	8	6400 MHz	None	4 / 24 GT/s	88	150W	2	2	2	2	128GB
6507P	LCC	8 / 16	3.5GHz / 4.3 GHz	48 MB	8	6400 MHz	None	4 / 24 GT/s	88	150W	2	2	2	2	512GB
6511P	LCC	16 / 32	2.3GHz / 4.2 GHz	72 MB	8	6400 MHz	None	None‡	88	150W	2	2	2	2	128GB
6515P	LCC	16 / 32	2.3GHz / 3.8 GHz	72 MB	8	6400 MHz	None	4 / 24 GT/s	88	150W	2	2	2	2	128GB
6517P	LCC	16 / 32	3.2GHz / 4.2 GHz	72 MB	8	6400 MHz	None	4 / 24 GT/s	88	190W	2	2	2	2	512GB
6520P	HCC	24 / 48	2.4GHz / 4 GHz	144 MB	8	6400 MHz	None	4 / 24 GT/s	88	210W	2	2	2	2	128GB
6521P	HCC	24 / 48	2.6GHz / 4.1 GHz	144 MB	8	6400 MHz	None	None‡	88	225W	3	3	3	3	128GB
6527P	HCC	24 / 48	3.0GHz / 4.2 GHz	144 MB	8	6400 MHz	None	4 / 24 GT/s	88	255W	4	4	4	4	512GB
6530P	HCC	32 / 64	2.3GHz / 4.1 GHz	144 MB	8	6400 MHz	None	4 / 24 GT/s	88	225W	2	2	2	2	128GB
Intel Xeon 6700-series with P-cores															
6714P	LCC	8 / 16	4.0GHz / 4.3 GHz	48 MB	8	6400 MHz	None	4 / 24 GT/s	88	165W	2	2	2	2	512GB
6724P	LCC	16 / 32	3.6GHz / 4.3 GHz	72 MB	8	6400 MHz	None	4 / 24 GT/s	88	210W	2	2	2	2	512GB
6725P	HCC	16 / 32	3.7GHz / 4.8 GHz	192 MB	8	6400 MHz	None	4 / 24 GT/s	88	235W	2	2	2	2	512GB
6730P	HCC	32 / 64	2.5GHz / 3.8 GHz	288 MB	8	6400 MHz	None	4 / 24 GT/s	88	250W	4	4	4	4	512GB
6731P	HCC	32 / 64	2.5GHz / 4.1 GHz	144 MB	8	6400 MHz	None	None‡	88	245W	3	3	3	3	128GB
6732P	HCC	32 / 64	3.8GHz / 4.3 GHz	144 MB	8	6400 MHz	None	4 / 24 GT/s	88	350W	4	4	4	4	512GB
6736P	HCC	36 / 72	2.0GHz / 4.1 GHz	144 MB	8	6400 MHz	None	4 / 24 GT/s	88	205W	4	4	4	4	512GB
6737P	HCC	32 / 64	2.9GHz / 4 GHz	144 MB	8	6400 MHz	None	4 / 24 GT/s	88	270W	4	4	4	4	512GB
6740P	XCC	48 / 96	2.1GHz / 3.8 GHz	288 MB	8	6400 MHz	None	4 / 24 GT/s	88	270W	2	2	2	2	128GB
6741P	XCC	48 / 96	2.5GHz / 3.8 GHz	288 MB	8	6400 MHz	None	None‡	88	300W	3	3	3	3	128GB
6745P	HCC	32 / 64	3.1GHz / 4.3 GHz	336 MB	8	6400 MHz	None	4 / 24 GT/s	88	300W	4	4	4	4	512GB
6747P	XCC	48 / 96	2.7GHz / 3.9 GHz	288 MB	8	6400 MHz	8000 MHz	4 / 24 GT/s	88	330W	4	4	4	4	512GB
6760P	XCC	64 / 128	2.2GHz / 3.8 GHz	320 MB	8	6400 MHz	None	4 / 24 GT/s	88	330W	2	2	2	2	128GB
6761P	XCC	64 / 128	2.5GHz / 3.9 GHz	336 MB	8	6400 MHz	8000 MHz	None‡	88	350W	3	3	3	3	128GB

CPU model	Die	Cores/ threads	Core speed (Base / TB max)	L3 cache	Mem. chan	Max RDIMM speed	Max MRDIMM speed	UPI 2.0 links & speed	PCIe lanes	TDP	Accelerators				SGX Enclave Size
											QAT	DLB	DSA	IAA	
6767P	XCC	64 / 128	2.4GHz / 3.9 GHz	336 MB	8	6400 MHz	8000 MHz	4 / 24 GT/s	88	350W	4	4	4	4	512GB
6781P	XCC	80 / 160	2.0GHz / 3.8 GHz	336 MB	8	6400 MHz	8000 MHz	None‡	88	350W	3	3	3	3	128GB
6787P	XCC	86 / 172	2.0GHz / 3.8 GHz	336 MB	8	6400 MHz	8000 MHz	4 / 24 GT/s	88	350W	4	4	4	4	512GB

‡ These processors not have UPI links and are rich one-socket (R1S) processors

The following table summarizes the key features of the Intel Xeon 6700-series processors with E-cores that are supported in the SR630 V4.

Table 16. Intel 6700 E-core processor features

CPU model	Die	Cores/ threads*	Core speed (Base / TB max)	L3 cache	Mem. chan	Max memory speed	UPI 2.0 links & speed	PCIe lanes	TDP	Accelerators				SGX Enclave Size
										QAT	DLB	DSA	IAA	
Intel Xeon 6700-series with E-cores														
6710E	HDCC	64 / 64	2.4 / 3.2 GHz	96 MB	8	5600 MHz	4 / 16 GT/s	88	205W	4	4	2	2	512GB
6731E	HDCC	96 / 96	2.2 / 3.1 GHz	96 MB	8	5600 MHz	None‡	88	250W	2	2	2	2	512GB
6740E	HDCC	96 / 96	2.4 / 3.2 GHz	96 MB	8	6400 MHz	4 / 20 GT/s	88	250W	4	4	2	2	512GB
6746E	HDCC	112 / 112	2 / 2.7 GHz	96 MB	8	5600 MHz	4 / 16 GT/s	88	250W	2	2	2	2	512GB
6756E	HDCC	128 / 128	1.8 / 2.6 GHz	96 MB	8	6400 MHz	4 / 24 GT/s	88	225W	2	2	2	2	512GB
6766E	HDCC	144 / 144	1.9 / 2.7 GHz	108 MB	8	6400 MHz	4 / 24 GT/s	88	250W	2	2	2	2	512GB
6780E	HDCC	144 / 144	2.2 / 3 GHz	108 MB	8	6400 MHz	4 / 24 GT/s	88	330W	2	2	2	2	512GB

\* E-core processors do not offer Hyper-Threading

‡ Intel Xeon 6731E does not have UPI links and is a single-socket processor

### One-processor configurations

The SR630 V4 can be used with one processor installed. Most core functions of the server (including the XClarity Controller) are connected to processor 1 as shown in the [System architecture](#) section.

With only one processor, the server has the following capabilities:

- 16 memory DIMMs for a 1TB maximum
- 2x PCIe slots, Slot 1 and Slot 2 are available, however Slot 3 is not available
- 1x OCP 3.0 slot: OCP1 with x16 connection
- Up to 8x 2.5-inch NVMe drives
- Up to 8x E3.S 1T NVMe drives
- Up to 4x E3.S 1T + 2x E3.S 2T NVMe drives
- Up to 4x E3.S 2T NVMe drives
- Internal RAID adapter or HBA (CFF form factor)\*
- M.2 drives

\* The use of an Internal (CFF) RAID adapter or HBA with a 10-bay AnyBay backplane requires 2 CPUs. The only exception is when using a Tri-Mode config (for example, configs 18-1 and 18-2) which can be supported with 1 CPU. See the [Storage configurations](#) section for details.

## Processor cooling

The SR630 V4 offers five implementations to remove heat from the processors:

- Standard heatsinks, suitable for configurations that generate lower heat levels
- Performance heatsinks, suitable for most configurations
- Closed-loop liquid cooling of the processors, as described in the [Lenovo Processor Neptune Air Module](#) section
- Open-loop liquid cooling of the processors, as described in the [Lenovo Processor Neptune Core Module](#) section
- Open-loop liquid cooling of the processors and memory, as described in the [Lenovo Compute Complex Neptune Core Module](#) section

For details about what configurations are supported with each, see the Thermal Rules section in the Lenovo Docs site for the SR630 V4:

[https://pubs.lenovo.com/sr630-v4/thermal\\_rules](https://pubs.lenovo.com/sr630-v4/thermal_rules)

Ordering information is listed in the following table.

Table 17. Processor cooling options

Feature code	Description	Top Choice Express	Purpose
Cooling options for machine types 7DG9 and 7DG8			
BPFK	Standard Heatsink	TCE	Standard 1U heatsink. Automatically selected based on the server configuration.
C1XJ	ThinkSystem 1U V4 Performance Heatsink (Neptune Thermal Transfer Module)	TCE	Performance 1U heatsink with two satellite heatsinks. Automatically selected based on the server configuration.
C1XK	ThinkSystem SR630 V4 Processor Neptune Air Module	Not TCE	Enables closed-loop liquid cooling of the processors. See the <a href="#">Lenovo Processor Neptune Air Module</a> section.
C1XH	ThinkSystem V4 1U/2U Processor Neptune Core Module	Not TCE	Enables open-loop liquid cooling of the processors. See the <a href="#">Lenovo Processor Neptune Core Module</a> section.
Cooling options for machine type 7DK1 (CPU+Memory water cooling)			
C6AY	ThinkSystem V4 1U/2U Compute Complex Neptune Core Module	Not TCE	Enables open-loop liquid cooling of the processors, memory and voltage regulators. See the <a href="#">Lenovo Compute Complex Neptune Core Module</a> section.

## Processor heatsinks for field upgrades (special use cases)

Processor options include a heatsink that best matches that processor's power dissipation, so no additional heatsink is required to install the processor option in the server. However, in very rare cases for some configurations, a different heatsink is required. Examples of this may be a customer who obtained a sample processor for evaluation from the processor vendor.

The following table lists the available heatsink part numbers for internal ordering.

**Internal ordering only:** These part numbers can only be ordered by employees using an internal ordering process.

Table 18. Processor heatsink options

Part number	Feature code	SBB	Description
4H47A96819	BPFK	SBB7A54393	ThinkSystem SR630 V4 Standard Heatsink
4H47A96820	C1XJ	SBB7A85753	ThinkSystem SR630 V4 Performance Heatsink

### Lenovo Processor Neptune Air Module - Closed-loop liquid cooling

The Lenovo Processor Neptune Air Module is a closed-loop liquid-cooled processor heatsink, and on the SR630 V4, can be used to lower power consumption due to lower fan speeds. Internal testing has shows a 56% fan power saving per node and 5% rack-level power saving with the use of closed-loop liquid cooling.

The following figure shows the placement of the components in the closed-loop liquid-cooled solution. Cold plates are mounted on top of each processor and these are connected via aluminum tubes to a radiator that is placed in front of the system fans. The tubes contain a mixture of water and ethylene glycol (EGW). The liquid is actively pumped through the pipes in a closed loop to remove the heat from the processors.

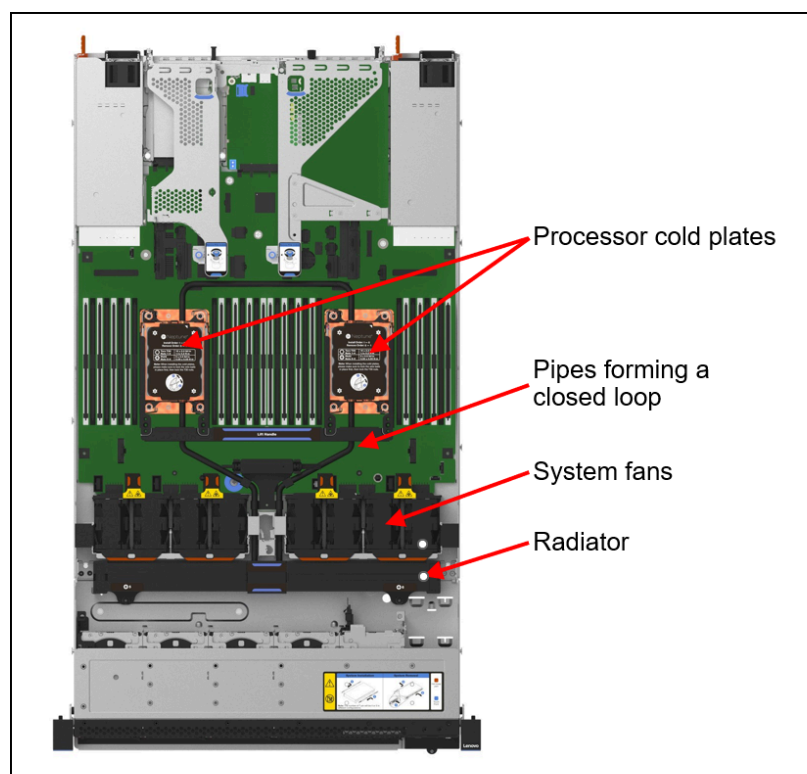


Figure 8. SR630 V4 with the Lenovo Processor Neptune Air Module

The Processor Neptune Air Module is only available in CTO orders, not as a field upgrade. Ordering information is listed in the following table.

Table 19. Lenovo Processor Neptune Air Module

Part number	Feature code	Description	Top Choice Express
CTO only	C1XK*	ThinkSystem SR630 V4 Processor Neptune Air Module	Not TCE

\* In DCSC, this feature code is listed in the Processor tab

The closed-loop liquid-cooled heatsink has the following requirements:

- Either one or two CPUs are supported
- Hot-swap M.2 drive bays are supported
- The following components are not supported:
  - Internal M.2 adapter (2.5-inch drive bay chassis)
  - Rear drive bays
  - GPUs
  - Internal (CFF) RAID adapters or HBAs

For additional support information including configurations and ambient temperature requirements, see the Thermal Rules page for the Neptune Air module:

[https://pubs.lenovo.com/sr630-v4/thermal\\_rules#thermal\\_rules\\_\\_thermal\\_rules\\_for\\_servers\\_with\\_lacm](https://pubs.lenovo.com/sr630-v4/thermal_rules#thermal_rules__thermal_rules_for_servers_with_lacm)

### Lenovo Processor Neptune Core Module - Open-loop liquid cooling

The SR630 V4 also supports advanced direct-water cooling (DWC) capability with the Lenovo Processor Neptune Core Module. This module implements a liquid cooling solution where heat from the processors is removed from the rack and the data center using an open loop and coolant distribution units.

With the Processor Neptune Core Module, all heat generated by the processors is removed from the server using water. This means that the server fans and data center air conditioning units only need to remove the heat generated by the other components. This results in lower air conditioning costs and it enables the use of slower fans which results in lower overall power consumption.

Internal testing has shows a 74% fan power saving per node and 26% rack-level power saving with the use of open-loop liquid cooling. Power savings are configuration dependent.

The following figure shows the Lenovo Processor Neptune Core Module.

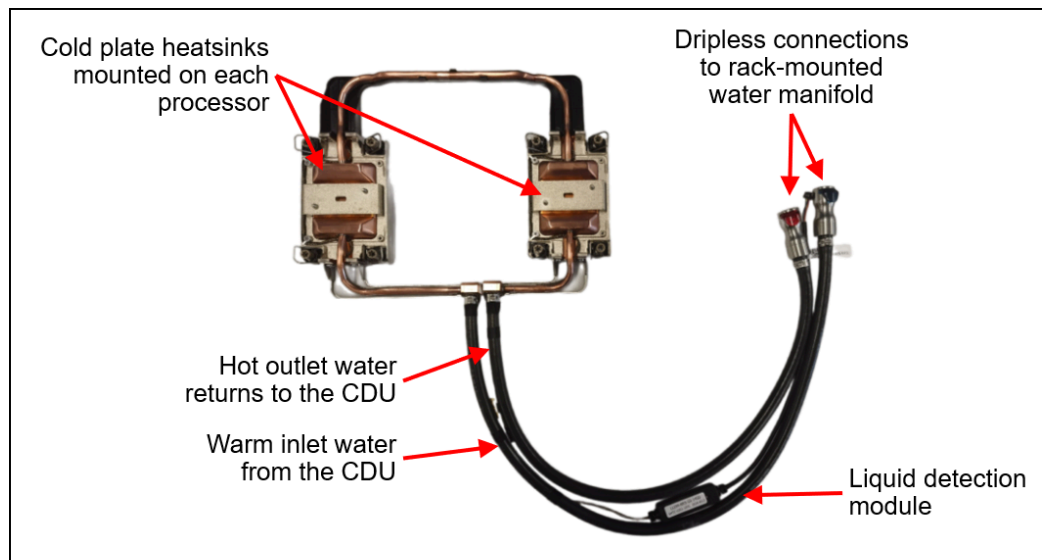


Figure 9. Lenovo Processor Neptune Core Module

The Processor Neptune Core Module also includes a leak detection module which can detect a leakage of more than 0.5ml (about 10 drops) along the length of the tube and then issue an event to the XClarity Controller. XCC will then post an error to the System Event Log and enable further actions. Once the liquid evaporates, a further event is issue to XCC.

The Processor Neptune Core Module is only available in CTO orders, not as a field upgrade. Ordering

information is listed in the following table.

Table 20. Lenovo Processor Neptune Core Module

Part number	Feature code	Description	Top Choice Express
CTO only	C1XH*	ThinkSystem V4 1U/2U Processor Neptune Core Module	Not TCE

\* In DCSC, this feature code is listed in the Processor tab

Configuration notes:

- The Processor Neptune Core Module requires water infrastructure be available in the rack cabinet and data center, as described in the [Water infrastructure](#) section.
- All processor SKUs are supported
- Either one or two CPUs are supported
- All front drive bay configurations are supported
- Slot 2 is not available for adapters - the water loop is routed through the space otherwise occupied by slot 2
- Only the following slot configuration is supported:
  - 1x PCIe x16 full-height slot (slot 1) + 1x PCIe x16 low-profile slot (slot 3)
- Rear 2.5-inch drive bays are not supported
- RAID flash power module (supercap) support is limited only to positions 1 (2.5-inch drives only) or position 4 (slot 3), as described in the [RAID flash power module \(supercap\) support](#) section. Location 2 on the air baffle is not supported.
- M.2 adapters are supported based on the configurations in the [Storage configurations](#) section
- Standard fans can be configured in most configurations
- The use of a cable management arm (CMA) is not supported

For more information, see the Thermal Rules page for the direct water cooling module:

[https://pubs.lenovo.com/sr630-v4/thermal\\_rules#server-models-with-direct-water-cooling-module](https://pubs.lenovo.com/sr630-v4/thermal_rules#server-models-with-direct-water-cooling-module)

The following figure shows the Lenovo Processor Neptune Core Module installed in the SR630 V4.

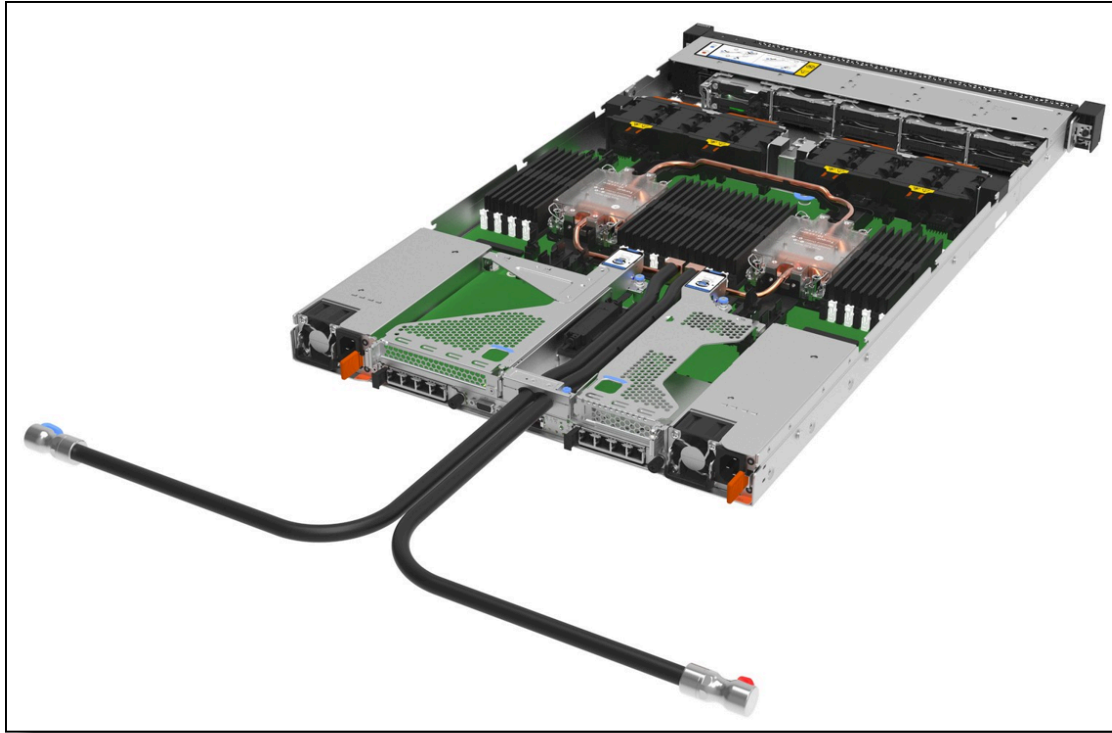


Figure 10. Lenovo Processor Neptune Core Module installed in the SR630 V4

### **Lenovo Compute Complex Neptune Core Module - Open-loop liquid cooling**

The SR630 V4 also supports advanced direct-water cooling (DWC) of the processors, memory DIMMs, and voltage regulators (collectively called the compute complex) with the Lenovo Compute Complex Neptune Core Module. This heat is removed from the rack and the data center using an open loop and coolant distribution units.

With this solution, all heat generated by the compute complex is removed from the server using water, which means that the server fans and data center air conditioning units only need to remove the heat generated by the other components. This results in lower air conditioning costs and it enables the use of slower fans which results in lower overall power consumption.

Internal testing has shows an 84% fan power saving per node and 33.6% rack-level power saving with the use of open-loop liquid cooling. Power savings are configuration dependent. A rack cabinet with 20x SR630 V4 servers using 100% air cooling (PUE 1.6) requires 39 kW of data center power, including data center cooling costs, whereas 20x servers with Compute Complex Neptune Core Module with 80% liquid cooling (PUE 1.05) and 20% air cooling (PUE 1.6) requires 25.9 kW of data center power. This represents a 33.6% power saving at the rack level.

The following figure shows the Lenovo Compute Complex Neptune Core Module. The water flows past all DIMMs in parallel and then passes across both processors.

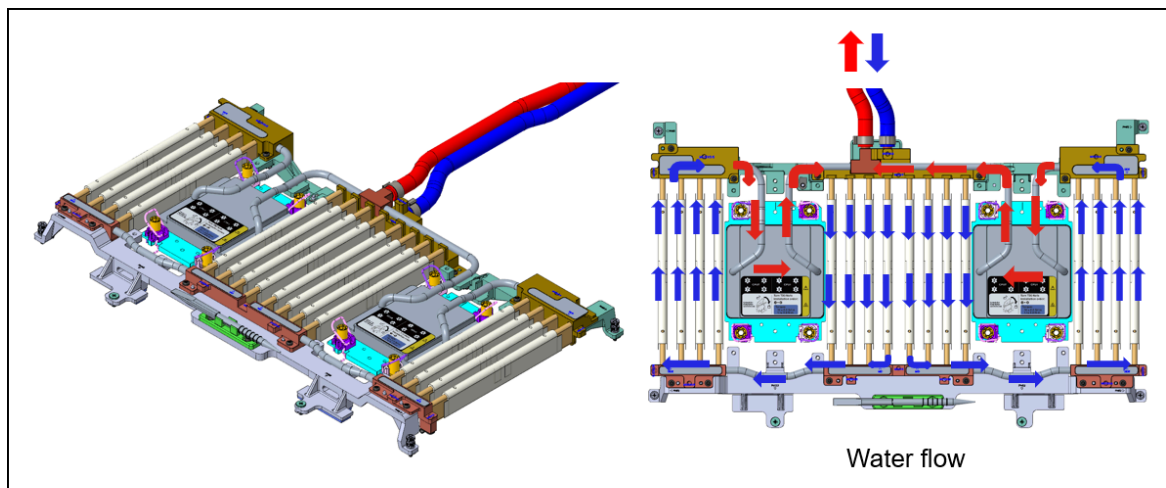


Figure 11. Lenovo Compute Complex Neptune Core Module

The Compute Complex Neptune Core Module also includes a leak detection module which can detect a leakage of more than 0.5ml (about 10 drops) along the length of the tube and then issue an event to the XClarity Controller. XCC will then post an error to the System Event Log and enable further actions. Once the liquid evaporates, a further event is issue to XCC.

The Compute Complex Neptune Core Module is only available in CTO orders, not as a field upgrade. The component listed in the following table will be automatically derived by the configurator when you build a server using machine type 7DK1 (see [Models](#) section).

Table 21. Compute Complex Neptune Core open-loop cooling

Part number	Feature code	Description
CTO only	C6AY	ThinkSystem V4 1U/2U Compute Complex Neptune Core Module

Configuration notes:

- The SR630 V4 must be configured using machine type 7DK1.
- The Compute Complex Neptune Core Module requires water infrastructure be available in the rack cabinet and data center, as described in the [Water infrastructure](#) section.
- Two processors are required; single-processor configurations are not supported
- All processor SKUs are supported except those that are only supported in 1-socket configurations
- Up to 16 DIMMs are supported, 8 per processor (1 DIMM per channel)
- Drive bay configurations are supported as listed in the the [Storage configurations](#) section.
- Slot 2 is not available for adapters - the water loop is routed through the space otherwise occupied by slot 2
- Only the following slot configuration is supported:
  - 2x Low profile x16 slots, in slot 1 and slot 3
- Rear 2.5-inch drive bays are not supported
- RAID flash power module (supercap) support is limited only to positions 1 (2.5-inch drives only) or position 3 (slot 3), as described in the [RAID flash power module \(supercap\) support](#) section. Location 2 on the air baffle is not supported.
- M.2 adapters are supported based on the configurations in the [Storage configurations](#) section
- Standard fans can be configured in most configurations

- The use of a cable management arm (CMA) is not supported

For more information, see the Thermal Rules page for the direct water cooling module:  
[https://pubs.lenovo.com/sr630-v4/thermal\\_rules](https://pubs.lenovo.com/sr630-v4/thermal_rules)

## UEFI operating modes

The SR630 V4 offers preset operating modes that affect energy consumption and performance. These modes are a collection of predefined low-level UEFI settings that simplify the task of tuning the server to suit your business and workload requirements.

The following table lists the feature codes that allow you to specify the mode you wish to preset in the factory for CTO orders.

**Limited choice for LCC processors:** If you select a processor with an LCC topology (see the Die column in the [Processor features](#) table), you will only be able to select General Computing - Power Efficiency (C3JB) in DCSC. The other modes are still supported, however, they can only be set in the field, not in the factory. Note that this is the only mode that is ERP Lot9-compliant for EU and UK customers.

Table 22. UEFI operating mode presets in DCSC

Feature code	Description	Top Choice Express
C3JB	ThinkSystem General Computing - Power Efficiency (default)	TCE
C3JA	ThinkSystem General Computing - Peak Frequency	TCE
C3J9	ThinkSystem General Computing - Max Performance	TCE
C3J8	ThinkSystem High Performance Computing (HPC)	TCE
C9U8	ThinkSystem Low Latency	TCE
C9UA	ThinkSystem Virtualization - Power Efficiency	TCE
C9U9	ThinkSystem Virtualization - Max Performance	TCE
C9U7	ThinkSystem DataBase - Transaction Processing	TCE
CCVW	ThinkSystem Database Memory	Not TCE

The preset modes for the SR630 V4 are as follows:

- **ThinkSystem General Computing - Power Efficiency** (feature C3JB): This workload profile optimizes the performance per watt efficiency with a bias towards performance. This workload profile is analogous to “Efficiency – Favor Performance” operating mode on ThinkSystem V3 servers. This profile contains settings for ENERGY STAR® and ERP Lot9 compliance.
- **ThinkSystem General Computing - Peak Frequency** (feature C3JA): This workload profile is defined by the requirement to drive the highest core frequencies out of a processor across a subset of cores available – not for all cores active. This workload profile benefits workloads requiring either high per core and / or overall CPU package frequency. These workloads may have variable resource demands, are relatively insensitive to overall platform latency, and are generally CPU clock constrained. Tuning a system for highest possible core frequency may mean allowing inactive cores to transfer in and out of sleep states (C-states), which allows active cores to run at higher frequency for different durations of time. Allowing cores to go into low power states allows for higher per core frequency but can introduce “jitter” in the systems clock frequency.
- **ThinkSystem General Computing - Max Performance** (feature C3J9): This workload profile maximizes the absolute performance of the system without regard for power savings. Power savings features are disabled. This operating mode should be used when an application can sustain work across all cores simultaneously and is Non-uniform Memory Access (NUMA) aware.

- **ThinkSystem High Performance Computing (HPC)** (feature C3J8): This profile is for customers running large-scale scientific and engineering workloads. These environments tend to be clustered environments where each node performs at maximum utilization for extended periods of time, and the application is Non-Uniform Memory Access (NUMA) aware.
- **ThinkSystem Low Latency** (feature C9U8): This workload profile seeks to minimize overall transaction latency. Low wait times for core-to-core, core-to-cache, CPU-to-memory, and CPU-to-adaptor communication are critical. Clock frequency is only important in so far as it minimizes intra- and inter-CPU latency. This profile is characterized by maintaining low processor clock variability and maintaining all external CPU links, memory and PCIe subsystems at maximum frequency.
- **ThinkSystem Virtualization - Power Efficiency** (feature C9UA): This workload profile is for virtualization environments. The profile ensures that all available virtualization options are enabled. Power saving features are enabled.
- **ThinkSystem Virtualization - Max Performance** (feature C9U9): This workload profile is for virtualization environments. The profile ensures that all available virtualization options are enabled. Power saving features are disabled.
- **ThinkSystem DataBase - Transaction Processing** (feature C9U7): This workload profile is for online transaction processing (OLTP) applications that require a database back-end.

## Memory

The SR630 V4 uses Lenovo TruDDR5 memory operating at up to 8000 MHz. The server supports up to 32 DIMMs with 2 processors. The processors have 8 memory channels and support 2 DIMMs per channel (DPC). The server supports up to 8TB of memory using 32x 256GB RDIMMs and two processors. The server also supports up to 8x CXL memory DIMMs (4 per CPU) which are installed in E3.S 2T drive bays.

DIMMs operate at the following speeds, up to the memory bus speed of the processor selected. See the [Processor features](#) section for specifics.

- RDIMMs and 3DS RDIMMs:
  - 1 DIMM per channel: Up to 6400 MHz
  - 2 DIMMs per channel using RDIMMs: Up to 5200 MHz
- MRDIMMs
  - 1 DIMM per channel: 8000 MHz
- CXL 2.0 DIMMs - installs in E3.S 2T front drive bays
  - Up to 8 DIMMs per server (4 per CPU)

**Water-cooled memory:** The SR630 V4 can also be configured to implement water-cooling for installed memory DIMMs using the Lenovo Compute Complex Neptune Core Module. The server is limited to 16 DIMM slots (8 DIMMs per processor, 1 DIMM per channel). For more information see the [Lenovo Compute Complex Neptune Core Module](#) section.

Lenovo TruDDR5 memory uses the highest quality components that are sourced from Tier 1 DRAM suppliers and only memory that meets the strict requirements of Lenovo is selected. It is compatibility tested and tuned to maximize performance and reliability. From a service and support standpoint, Lenovo TruDDR5 memory automatically assumes the system warranty, and Lenovo provides service and support worldwide.

- [RDIMM and MRDIMM memory](#)
- [CXL memory](#)
- [Memory rules](#)

### RDIMM and MRDIMM memory

The following table lists the RDIMMs, 3DS RDIMMs, and MRDIMMs memory that are currently supported by the SR630 V4. These DIMMs are installed in the DIMM slots adjacent to the processors. The table also lists the supported quantities. The "CPU+Mem water cooled" DIMM quantity column is when the server is configured to use Lenovo Compute Complex Neptune Core Module for water-cooled memory.

The table includes a Top Choice Express column: for CTO orders, select a TCE component for faster delivery. See the [Top Choice](#) section for more information.

Table 23. Memory options for DIMM slots

Part number	Feature code	Description	Top Choice Express	DRAM technology	Quantities supported per CPU (double for 2 CPUs)		
					E-cores CPUs	P-cores CPUs	P-cores CPU+Mem water cooled
x4 RDIMMs							
4X77A90964	C0U9	ThinkSystem 32GB TruDDR5 6400MHz (1Rx4) RDIMM	TCE	16Gb	8 per CPU	4, 8 per CPU	4, 8 per CPU

Part number	Feature code	Description	Top Choice Express	DRAM technology	Quantities supported per CPU (double for 2 CPUs)		
					E-cores CPUs	P-cores CPUs	P-cores CPU+Mem water cooled
4X77A90966	C0TQ	ThinkSystem 64GB TruDDR5 6400MHz (2Rx4) RDIMM	TCE	16Gb	8, 16 per CPU	1, 4, 8, 12*, 16 per CPU	1, 4, 8 per CPU
4X77A90997	BZ7D	ThinkSystem 96GB TruDDR5 6400MHz (2Rx4) RDIMM	Not TCE	24Gb	8, 16 per CPU	8, 16 per CPU	8 per CPU
4X77A90993	C0U1	ThinkSystem 128GB TruDDR5 6400MHz (2Rx4) RDIMM	Not TCE	32Gb	8, 16 per CPU	8, 16 per CPU	8 per CPU
x8 RDIMMs							
4X77A90963	C0U2	ThinkSystem 16GB TruDDR5 6400MHz (1Rx8) RDIMM	TCE	16Gb	No support	1, 4, 8 per CPU	1, 4, 8 per CPU
4X77A90965	BYTJ	ThinkSystem 32GB TruDDR5 6400MHz (2Rx8) RDIMM	TCE	16Gb	1, 8 per CPU	1, 4, 8, 12, 16 per CPU	1, 4, 8 per CPU
3DS RDIMMs							
4X77A90994	C0U0	ThinkSystem 256GB TruDDR5 6400MHz (4Rx4) 3DS RDIMM	Not TCE	32Gb	No support	8, 12*, 16 per CPU	8 per CPU
MRDIMMs (operate at 8000 MHz in the SR630 V4) (Note: Not all processors support MRDIMMs)							
4X77A90998	C0TY	ThinkSystem 32GB TruDDR5 8800MHz (2Rx8) MRDIMM	Not TCE	-	No support	8 per CPU	8 per CPU
4X77A90999	C0TX	ThinkSystem 64GB TruDDR5 8800MHz (2Rx4) MRDIMM	Not TCE	-	No support	8 per CPU	8 per CPU

\* 12x 64GB support planned to be available in DCSC on May 19, 2026; 12x 256GB support planned for late 2Q/2026

For more information on this memory, see the following Lenovo Press papers,

- [Introduction to DDR5 Memory](#)
- [Introduction to MRDIMM Memory Technology](#)

### CXL memory

The following table lists the CXL memory that are currently supported by the SR630 V4. These memory options are installed in the E3.S 2T drive bays at the front of the server (non-hot-swap bays).

**OS support for CXL:** CXL memory is not supported with Windows Server and VMware ESXi. See OSIG for specifics:

[https://lenovopress.lenovo.com/osig#servers=sr630-v4-xeon-6-p-cores-7dg8-7dg9&os\\_families=microsoft-windows-server&os\\_families=vmware-esxi&support=all](https://lenovopress.lenovo.com/osig#servers=sr630-v4-xeon-6-p-cores-7dg8-7dg9&os_families=microsoft-windows-server&os_families=vmware-esxi&support=all)

**VROC restriction with CXL memory:** VROC NVMe RAID is currently not supported with the following CXL memory configurations:

- Configurations with a mix of CXL memory (E3.S 2T) bays and E3.S 1T drive bays
- Configurations with CXL memory (E3.S 2T) bays and M.2 drives

CXL memory configurations without E3.S 1T drives or without M.2 drives are not affected and are supported. This restriction is planned to be removed with a firmware update planned for 3Q/2025.

Table 24. CXL memory options

Part number	Feature code	Description	Top Choice Express	Quantities supported per CPU (double for 2 CPUs)		
				E-cores CPUs	P-cores CPUs	P-cores CPU+Mem water cooled
CXL DIMMs						
4X77A91000	C0TW	ThinkSystem 96GB E3.S 2T CXL DIMM	Not TCE	No support	4 per CPU	No support
4X77A91001	C0TV	ThinkSystem 128GB E3.S 2T CXL DIMM	Not TCE	No support	4 per CPU	No support

For servers that have a combination of DDR5 memory and CXL memory, you can specify how you want to the memory spaces to be presented to the operating system. For CTO orders, you can specify the factory to set the memory mode, as described in the table below. The memory mode can also be changed in UEFI at a later stage.

**Memory mirroring:** The use of memory mirroring is mutually exclusive with both of these modes.

Table 25. Interleaving choices for CTO orders (Memory tab in DCSC)

Part number	Feature code	Description	Top Choice Express	Purpose
CTO only	C8VB*	DDR5 and (volatile) CXL Memory interleaved together in one 12-way set	TCE	Heterogeneous mode. This mode supports memory interleave between CXL memory and DDR memory. Interleaving of memory requests across a combination of native attach DDR5 channels and CXL-connected memory to increase aggregate bandwidth. The entire combined capacity of DDR memory and CXL memory is visible to the software as a single NUMA domain. As a result, no software changes are needed in the system to use heterogeneous interleave mode.
CTO only	C8VC	Native DDR5(1LM) and CXL Memory(volatile) visible to SW as separate tiers, separately interleaved	TCE	This is a 2-tier memory mode, where the DDR5 memory and CXL memory are different address spaces and separate NUMA nodes. This mode is also referred to as Software Managed tiering because the application must manage the placement of data in separate tiers and must manage any desired movement of data between tiers. This management of placement and movement may be performed by the OS, or by a higher-level middleware or directly by an application.

\* Not supported with LCC processors. See the [Processor features](#) section to see which processors have an LCC die.

For more information on this memory, see the following Lenovo Press paper,

- [Introduction to CXL 2.0 Memory](#)

### Memory rules

The following rules apply when specifying the memory configuration:

- Processor support is as follows:
  - E-core processors only supports RDIMMs
  - P-core processors support RDIMMs, 3DS RDIMMs, MRDIMMs, and CXL memory
- The tables above list the supported quantities per processor. For two processors, install the same number of DIMMs to each processor. Other quantities are not supported.
- Only a subset of processors support MRDIMMs - see the table in the [Processor features](#) section for specifics.
- All installed DIMMs, except for CXL memory, must be identical part numbers; mixing not supported
- CXL memory can be mixed with the following RDIMMs
  - ThinkSystem 64GB TruDDR5 6400MHz (2Rx4) RDIMM, 4X77A90966
  - ThinkSystem 96GB TruDDR5 6400MHz (2Rx4) RDIMM, 4X77A90997
  - ThinkSystem 128GB TruDDR5 6400MHz (2Rx4) RDIMM, 4X77A90993
- CXL memory is installed in E3.S 2T drive bays, however hot-swap functionality is not supported
- CXL heterogenous mode (feature C8VB) is not supported with processors with an LCC die. See the [Processor features](#) section to see which processors have an LCC die.

For best performance, consider the following:

- Ensure the memory installed is at least the same speed as the memory bus of the selected processor
- Populate all memory channels.

The following memory protection technologies are supported:

- ECC detection/correction
- Bounded Fault detection/correction
- SDDC (for 10x4-based memory DIMMs; look for "x4" in the DIMM description)
- ADDDC (for 10x4-based memory DIMMs)
- Memory mirroring

See the Lenovo Press article "RAS Features of the Lenovo ThinkSystem Intel Servers" for more information about memory RAS features: <https://lenovopress.lenovo.com/lp1711-ras-features-of-the-lenovo-thinksystem-intel-servers>

If memory channel mirroring is used, then DIMMs must be installed in pairs (minimum of one pair per processor), and both DIMMs in the pair must be identical in type and size. 50% of the installed capacity is available to the operating system.

Memory rank sparing is implemented using ADDDC/ADC-SR/ADDDC-MR to provide DRAM-level sparing feature support.

## Internal storage

The SR630 V4 supports up to 12x 2.5-inch drives. The server alternatively supports up to 16x E3.S 1T or 8x E3.S 2T drive bays, depending on the selected chassis and backplane configuration. The server can be configured without any drive bays if desired.

The server supports front and rear drive bays, are as follows:

- Front accessible:
  - Up to 10x 2.5-inch hot-swap bays, or
  - 16x E3.S 1T hot-swap bays, or
  - 8x E3.S 2T hot-swap bays, or
  - Mix of E3.S 1T and E3.S 2T hot-swap bays
- Rear accessible:
  - 2x 2.5-inch hot-swap bays

The server also supports one or two M.2 drives, in three possible locations:

- Installed in an M.2 adapter internal to the server (non-hot-swap)
- Hot-swap in the rear of the server
- Hot-swap in the front of the server

In this section:

- [NVMe drive support](#)
- [Tri-Mode support - RAID 940 adapters](#)
- [Front drive bays](#)
- [Rear drive bays](#)
- [Storage configurations](#)
- [Field upgrades](#)
- [M.2 drives](#)
- [SED encryption key management with SKLM](#)
- [Encryption Enablement](#)

## NVMe drive support

The SR630 V4 supports NVMe drives to maximize storage performance:

- In 2.5-inch front drive configurations, the server supports up to 12 NVMe drives without oversubscription (that is, each x4 drive has a dedicated x4 connection (4 lanes) to the processor):
  - 10x 2.5-inch NVMe drives at the front
  - 2x 2.5-inch NVMe drives at the rear
- In E3.S front drive configurations, the server supports up to 16 NVMe drives without oversubscription:
  - 16x E3.S 1T NVMe drives at the front
  - 8x E3.S 2T NVMe drives at the front
  - 8x E3.S 1T + 4x E3.S 2T NVMe drives at the front

The specifics of these configurations are covered in the [Storage configurations](#) section.

In addition, the SR630 V4 supports two M.2 NVMe drives for use as boot drives, as described in the [M.2 drives](#) section

## Tri-Mode support - RAID 940 adapters

The RAID 940 adapters support NVMe through a feature named Tri-Mode support (or Trimode support). This feature enables the use of NVMe U.3 drives at the same time as SAS and SATA drives. Tri-Mode requires an AnyBay backplane. Cabling of the controller to the backplanes is the same as with SAS/SATA drives, and the NVMe drives are connected via a PCIe x1 link to the controller.

NVMe drives connected using Tri-Mode support provide better performance than SAS or SATA drives: A SATA SSD has a data rate of 6Gbps, a SAS SSD has a data rate of 12Gbps, whereas an NVMe U.3 Gen 4 SSD with a PCIe x1 link will have a data rate of 16Gbps. NVMe drives typically also have lower latency and higher IOPS compared to SAS and SATA drives. Tri-Mode is supported with U.3 NVMe drives and requires an AnyBay backplane.

**Tri-Mode requires U.3 drives:** Only NVMe drives with a U.3 interface are supported. U.2 drives are not supported. See the [Internal drive options](#) section for the U.3 drives supported by the server.

## Front drive bays

The front drive bay zone supports the following configurations. All drives are hot-swap, and all NVMe and AnyBay drive support is PCIe Gen5. AnyBay drives bays support SAS, SATA or NVMe drives.

- 2.5-inch hot-swap drive bays without support for front PCIe slots:
  - 4x, 8x, or 10x SAS/SATA
  - 4x, 8x, or 10x NVMe (Gen5)
  - 4x, 8x, or 10x AnyBay (Gen5)
  - 6x SAS/SATA + 4x AnyBay (Gen5)
  - 6x SAS/SATA + 2x AnyBay (Gen5) + 2x NVMe (Gen5)
- 2.5-inch hot-swap drive bays with support for front PCIe slots
  - 4x NVMe (Gen5)
  - 4x AnyBay (Gen5)
- E3.S EDSFF drive bays
  - 4x, 8x, 12x, or 16x E3.S 1T NVMe (Gen5)
  - 4x, 8x, E3.S 2T NVMe (Gen5)
  - 4x E3.S 1T + 2x E3.S 2T NVMe (Gen5)
  - 4x E3.S 1T + 4x E3.S 2T NVMe (Gen5)
  - 8x E3.S 1T + 4x E3.S 2T NVMe (Gen5)
- Drive-less configuration - No backplane and no drives (supports [field upgrades](#))

These configurations are shown in the following figures. The feature codes listed correspond to the feature codes listed in the table below the figures.

The following figure shows the supported 2.5-inch drive bay configurations. With 4 or 8 drive bays, the server supports optional hot-swap M.2 drives mounted at the front of the server.

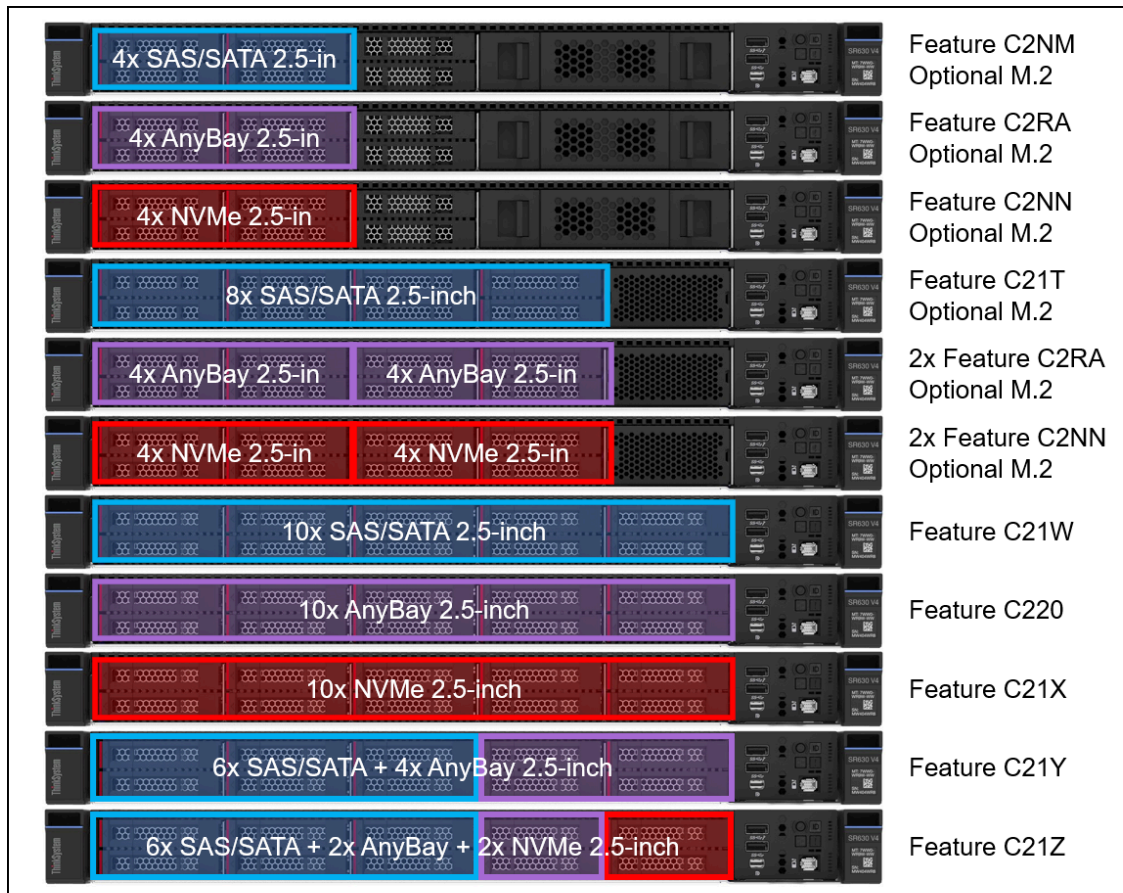


Figure 12. SR630 V4 front drive bay configurations - 2.5-inch drive bays

The following figure shows the supported E3.S drive bay configurations. With up to 4, 8 or 12x E3.S 1T drives (1, 2 or 3x C221), the server supports optional hot-swap M.2 drives mounted at the front of the server.

**E3.S base required:** To configure E3.S drives, you will need to select base feature code C1XG as described in the [Base feature codes](#) section.

**No front USB or DisplayPort video:** The use of E3.S drive bays prevents the selection of the front USB ports and front DisplayPort video port.

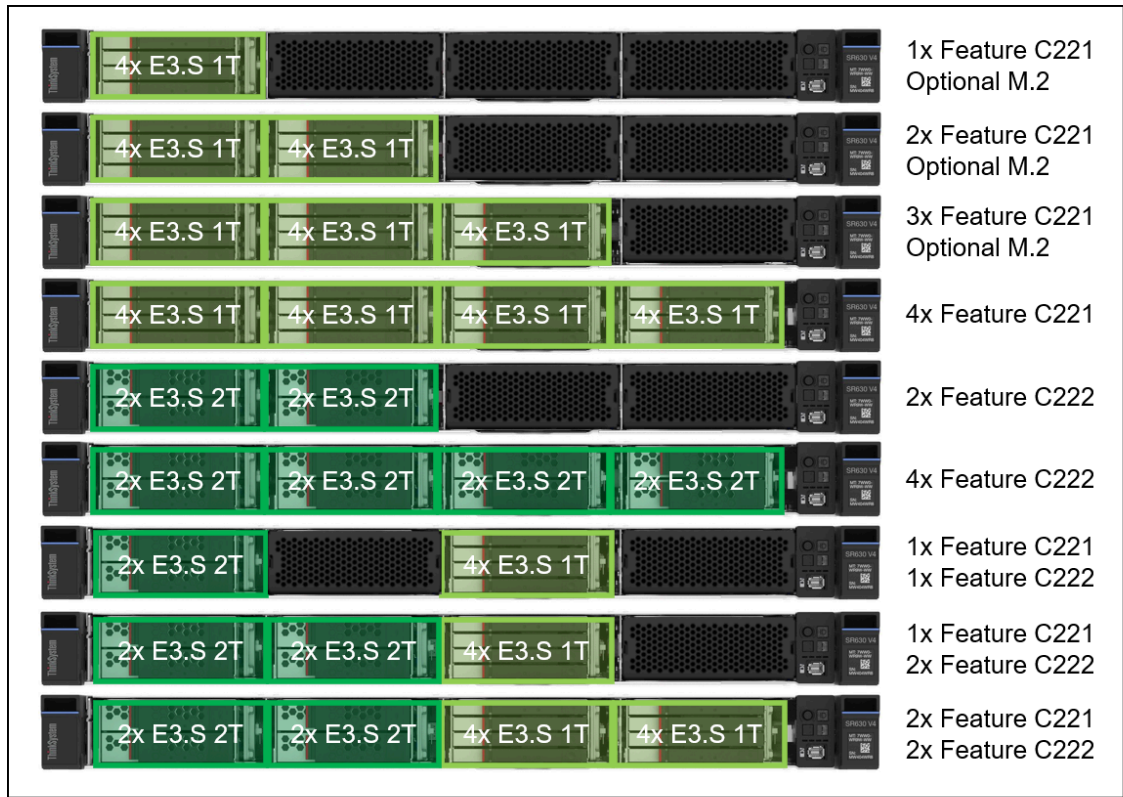


Figure 13. SR630 V4 front drive bay configurations - E3.S drive bays

The backplanes used to provide these drive bays are listed in the following table. Most front backplanes are also available as part numbers for field upgrades using upgrade kits, as described in the [Field upgrades](#) section below.

The table includes a Top Choice Express column: for CTO orders, select a TCE component for faster delivery. See the [Top Choice](#) section for more information.

Table 26. Front drive backplanes

Feature code	Description	Top Choice Express	Max Qty
Front 2.5-inch drive backplanes - 4 drive bays - no support for front PCIe slots			
C2NM	ThinkSystem 1U V4 4x2.5" SAS/SATA Backplane	TCE ⓘ	1
C2RA	ThinkSystem 1U V4 4x2.5" AnyBay Gen5 Backplane	TCE	2
C2NN	ThinkSystem 1U V4 4x2.5" NVMe Gen5 Backplane	TCE	2
Front 2.5-inch drive backplanes - 8 drive bays - no support for front PCIe slots			
C21T	ThinkSystem 1U V4 8x2.5" SAS/SATA Backplane	TCE	1
Front 2.5-inch drive backplanes - 10 drive bays - no support for front PCIe slots			
C21W	ThinkSystem 1U V4 10x2.5" SAS/SATA Backplane	TCE	1
C220	ThinkSystem 1U V4 10x2.5" AnyBay Gen5 Backplane	TCE	1
C21X	ThinkSystem 1U V4 10x2.5" NVMe Gen5 Backplane	TCE	1
C21Y	ThinkSystem 1U V4 6xSAS/SATA 4xAnyBay Gen5 Backplane	TCE	1
C21Z	ThinkSystem 1U V4 6x SAS/SATA 2x AnyBay 2x NVMe Gen5 Backplane	TCE	1
Front E3.S drive backplanes			

Feature code	Description	Top Choice Express	Max Qty
C221	ThinkSystem V4 EDSFF E3.S 4x1T NVMe Gen5 Backplane	Not TCE	4
C222	ThinkSystem V4 EDSFF E3.S 2x2T NVMe Gen5 Backplane	Not TCE	4

### Rear drive bays

The SR630 V4 supports hot-swap drives installed at the rear of the server chassis. Both drives bays are hot-swap, and all NVMe drive support is PCIe Gen5. Supported configurations are as follows:

- 2x 2.5-inch hot-swap SAS/SATA drive bays
- 2x 2.5-inch hot-swap AnyBay drive bays (Gen5)
- 2x 2.5-inch hot-swap NVMe drive bays (Gen5)

The configurations are shown in the following figure.

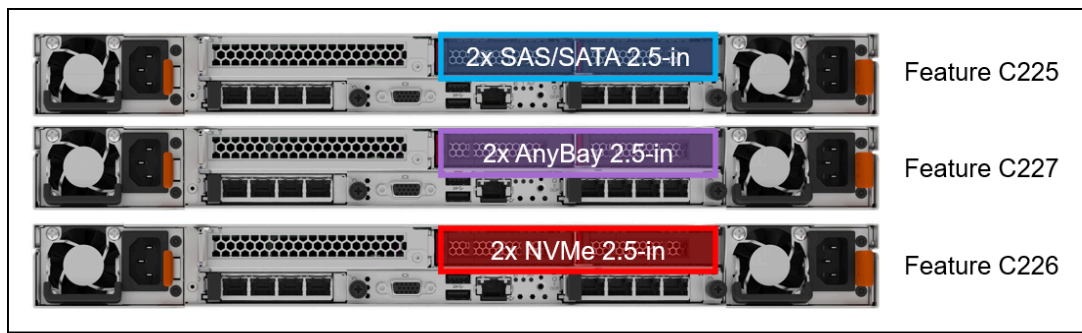


Figure 14. Rear drive bay configurations

The backplanes used to provide these drive bays in CTO orders are listed in the following table. Backplanes are also available as part numbers for field upgrades using upgrade kits, as described in the [Field upgrades](#) section below.

Table 27. Front drive backplanes

Feature code	Description	Top Choice Express	Max Qty
Rear 2.5-inch drive backplanes			
C226	ThinkSystem 1U V4 2x2.5" NVMe Gen5 Rear Backplane	Not TCE	1
C227	ThinkSystem 1U V4 2x2.5" AnyBay Gen5 Rear Backplane	Not TCE	1
C225	ThinkSystem 1U V4 2x2.5" SAS/SATA Rear Backplane	Not TCE	1

The use of rear 2.5-inch drive bays has the following configuration rules:

- With 2.5-inch rear drive bays, only slot 1 is available. Slot 2 and 3 are not available
- Rear 2.5-inch drives are not supported with either of the following:
  - Open-loop water cooling
  - Rear-mounted hot-swap M.2 drives

**Field upgrades:** Rear backplanes are available as part numbers for field upgrades using upgrade kits, as described in the [Field upgrades](#) section below.

## Storage configurations

This section describes the various combinations of front and rear drives that the server supports, as well as M.2 support.

**Tip:** These tables are based on Storage Configs v2.2

In this section the divided in two groups, configurations for machine types 7DG9 and 7DG8 (air cooled, closed loop cooling, open loop CPU-only cooling) and configurations for machine type 7DK1 (open-loop CPU+Memory cooling):

- [Overview of storage configs - Air Cooled, Closed Loop, Open Loop CPU cooling](#)
- [Overview of storage configs - Open Loop CPU+Memory cooling](#)
- [Details of storage configs - Air Cooled, Closed Loop, Open Loop CPU cooling](#)
- [Details of storage configs - Open Loop CPU+Memory cooling](#)

The following tables summarize the storage configurations for the SR630 V4. For details, including processor requirements, cooling options, M.2 support, and controller selections, see the Details tables.

## Overview of storage configs - Air Cooled, Closed Loop, Open Loop CPU cooling

The following table summarizes the storage configurations for machine types 7DG9 and 7DG8 (air cooled, closed loop cooling, open loop CPU-only cooling)

Jump down to the [details of the configurations](#).

Return to [Storage configurations](#).

Table 28. Overview of storage configs - Air Cooled, Closed Loop, Open Loop CPU cooling

Config	Total drives (NVMe)	Front drive bays					Rear drives			Backplanes
		SAS/SATA	AnyBay	NVMe	E3.S 1T	E3.S 2T	SAS/SATA	AnyBay	NVMe	
1	4 (0)	4	0	0	0	0	0	0	0	2.5" 4xSAS/SATA (C2NM)
2	4 (4)	0	0	4	0	0	0	0	0	2.5" 4xNVMe G5 (C2NN)
3	8 (0)	8	0	0	0	0	0	0	0	2.5" 8xSAS/SATA (C21T)
4	8 (8)	0	0	8	0	0	0	0	0	2x 2.5" 4xNVMe G5 (2x C2NN)
5	8 (8)	0	8	0	0	0	0	0	0	2x 2.5" 4xAnyBay G5 (2x C2RA)
6	10 (0)	10	0	0	0	0	0	0	0	2.5" 10xSAS/SATA (C21W)
7	12 (0)	10	0	0	0	0	2	0	0	Front: 2.5" 10xSAS/SATA (C21W) + Rear: 2.5" 2xSAS/SATA (C225)
8	10 (10)	0	0	10	0	0	0	0	0	2.5" 10xNVMe G5 (C21X)
9	12 (12)	0	0	10	0	0	0	0	2	Front: 2.5" 10xNVMe G5 (C21X) + Rear: 2.5" 2xNVMe G5 (C226)
10	10 (4)	6	4	0	0	0	0	0	0	2.5" 6xSAS/SATA + 4xAnyBay G5 (C21Y)
12	10 (4)	6	2	2	0	0	0	0	0	2.5" 6xSAS/SATA + 2xAnyBay + 2xNVMe G5 (C21Z)
14	10 (10)	0	10	0	0	0	0	0	0	2.5" 10xAnyBay G5 (C220)
18	10 (10)	0	10	0	0	0	0	0	0	2.5" 10xAnyBay G5 (C220)
19	12 (12)	0	10	0	0	0	0	2	0	Front: 2.5" 10xAnyBay G5 (C220) + Rear: 2.5" 2xAnyBay G5 (C227)
20	4 (4)	0	0	0	4	0	0	0	0	E3.S 1T G5 (C221)
21	8 (8)	0	0	0	8	0	0	0	0	2x E3.S 1T G5 (2x C221)
22	12 (12)	0	0	0	12	0	0	0	0	3x E3.S 1T G5 (3x C221)
23	16 (16)	0	0	0	16	0	0	0	0	4x E3.S 1T G5 (4x C221)
24	4 (4)	0	0	0	4	0	0	0	0	E3.S 1T G5 (C221)
25	8 (8)	0	0	0	8	0	0	0	0	2x E3.S 1T G5 (2x C221)
33	6 (6)	0	0	0	4	2	0	0	0	E3.S 1T G5 (C221) + E3.S 2T G5 (C222)
34	8 (8)	0	0	0	4	4	0	0	0	E3.S 1T G5 (C221) + 2x E3.S 2T G5 (2x C222)
37	12 (12)	0	0	0	8	4	0	0	0	2x E3.S 1T G5 (2x C221) + 2x E3.S 2T G5 (2x C222)
38	4 (4)	0	0	0	0	4	0	0	0	2x E3.S 2T G5 (2x C222)
39	8 (8)	0	0	0	0	8	0	0	0	4x E3.S 2T G5 (4x C222)
63	8 (8)	0	0	0	8	0	0	0	0	2x E3.S 1T G5 (2x C221)
64	12 (12)	0	0	0	12	0	0	0	0	3x E3.S 1T G5 (3x C221)

**VROC restriction with CXL memory:** VROC NVMe RAID is currently not supported with the following CXL memory configurations:

- Configurations with a mix of CXL memory (E3.S 2T) bays and E3.S 1T drive bays
- Configurations with CXL memory (E3.S 2T) bays and M.2 drives

CXL memory configurations without E3.S 1T drives or without M.2 drives are not affected and are supported. This restriction is planned to be removed with a firmware update planned for 3Q/2025.

### Overview of storage configs - Open Loop CPU+Memory cooling

The following table summarizes the storage configurations for machine type 7DK1 (open-loop CPU+Memory cooling).

Jump down to the [details of the configurations](#).

Return to [Storage configurations](#).

Table 29. Overview of storage configs - Open Loop CPU+Memory cooling

Config	Total drives (NVMe)	Front drive bays					Rear drives			Backplanes
		SAS/SATA	AnyBay	NVMe	E3.S 1T	E3.S 2T	SAS/SATA	AnyBay	NVMe	
47	4 (0)	4	0	0	0	0	0	0	0	2.5" 4xSAS/SATA (C2NM)
48	4 (4)	0	0	4	0	0	0	0	0	2.5" 4xNVMe G5 (C2NN)
49	8 (0)	8	0	0	0	0	0	0	0	2.5" 8xSAS/SATA (C21T)
50	8 (8)	0	0	8	0	0	0	0	0	2x 2.5" 4xNVMe G5 (2x C2NN)
51	8 (8)	0	8	0	0	0	0	0	0	2x 2.5" 4xAnyBay G5 (2x C2RA)
52	10 (0)	10	0	0	0	0	0	0	0	2.5" 10xSAS/SATA (C21W)
53	10 (10)	0	0	10	0	0	0	0	0	2.5" 10xNVMe G5 (C21X)
54	10 (10)	0	10	0	0	0	0	0	0	2.5" 10xAnyBay G5 (C220)
58	4 (4)	0	0	0	4	0	0	0	0	E3.S 1T G5 (C221)
59	8 (8)	0	0	0	8	0	0	0	0	2x E3.S 1T G5 (2x C221)
60	12 (12)	0	0	0	12	0	0	0	0	3x E3.S 1T G5 (3x C221)
62	8 (8)	0	0	0	8	0	0	0	0	2x E3.S 1T G5 (2x C221)

### Details of storage configs - Air Cooled, Closed Loop, Open Loop CPU cooling

The following table lists the detailed storage configurations for machine types 7DG9 and 7DG8 (air cooled, closed loop cooling, open loop CPU-only cooling).

Go back to the [overview of configurations](#).

Return to [Storage configurations](#).

Table 30. Details of storage configs - Air Cooled, Closed Loop, Open Loop CPU cooling

Config	CPUs	CPU cooling				Front drive bays					Rear drives			Backplanes	M.2			Controllers	
		Air cooled	Closed loop	Open loop CPUs	Open loop CPUs+Mem	SAS/SATA	AnyBay	NVMe	E3.S 1T	E3.S 2T	SAS/SATA	AnyBay	NVMe		M.2 Internal	M.2 Rear HS	M.2 Front HS		
1-1	1 or 2	Y	Y	Y	N	4	0	0	0	0	0	0	0	0	2.5" 4xSAS/SATA (C2NM)	Y*	Y	Y	(5350-8i or 9350-8i)
1-3	1 or 2	Y	Y	Y	N	4	0	0	0	0	0	0	0	0	2.5" 4xSAS/SATA (C2NM)	Y*	Y	Y	(545-8i or 940-8i)
1-5	2 only	Y	N	Y	N	4	0	0	0	0	0	0	0	0	2.5" 4xSAS/SATA (C2NM)	Y	Y	Y	440-16i CFF
1-6	2 only	Y	N	Y	N	4	0	0	0	0	0	0	0	0	2.5" 4xSAS/SATA (C2NM)	Y	Y	Y	940-16i CFF
1-7	1 only	Y	N	Y	N	4	0	0	0	0	0	0	0	0	2.5" 4xSAS/SATA (C2NM)	Y	Y	Y	440-16i CFF
1-8	1 only	Y	N	Y	N	4	0	0	0	0	0	0	0	0	2.5" 4xSAS/SATA (C2NM)	Y	Y	Y	940-16i CFF
2-1	1 or 2	Y	N	Y	N	0	0	4	0	0	0	0	0	0	2.5" 4xNVMe G5 (C2NN)	Y	Y	Y	OB NVMe
2-1-C	1 or 2	N	Y	N	N	0	0	4	0	0	0	0	0	0	2.5" 4xNVMe G5 (C2NN)	N	Y	Y	OB NVMe
3-1	1 or 2	Y	Y	Y	N	8	0	0	0	0	0	0	0	0	2.5" 8xSAS/SATA (C21T)	Y*	Y	Y	(5350-8i or 9350-8i or 9350-16i)
3-2	1 or 2	Y	Y	Y	N	8	0	0	0	0	0	0	0	0	2.5" 8xSAS/SATA (C21T)	Y*	Y	Y	4350-16i
3-3	1 or 2	Y	Y	Y	N	8	0	0	0	0	0	0	0	0	2.5" 8xSAS/SATA (C21T)	Y*	Y	Y	(545-8i or 940-8i or 940-16i)
3-4	1 or 2	Y	Y	Y	N	8	0	0	0	0	0	0	0	0	2.5" 8xSAS/SATA (C21T)	Y*	Y	Y	440-16i
3-5	2 only	Y	N	Y	N	8	0	0	0	0	0	0	0	0	2.5" 8xSAS/SATA (C21T)	Y	Y	Y	940-16i CFF
3-6	2 only	Y	N	Y	N	8	0	0	0	0	0	0	0	0	2.5" 8xSAS/SATA (C21T)	Y	Y	Y	440-16i CFF
3-7	1 only	Y	N	Y	N	8	0	0	0	0	0	0	0	0	2.5" 8xSAS/SATA (C21T)	Y	Y	Y	940-16i CFF
3-8	1 only	Y	N	Y	N	8	0	0	0	0	0	0	0	0	2.5" 8xSAS/SATA (C21T)	Y	Y	Y	440-16i CFF
4-1	2 only	Y	N	Y	N	0	0	8	0	0	0	0	0	0	2x 2.5" 4xNVMe G5 (2x C2NN)	Y	Y	Y	OB NVMe
4-1-C	2 only	N	Y	N	N	0	0	8	0	0	0	0	0	0	2x 2.5" 4xNVMe G5 (2x C2NN)	N	Y	Y	OB NVMe
4-2	1 only	Y	N	Y	N	0	0	8	0	0	0	0	0	0	2x 2.5" 4xNVMe G5 (2x C2NN)	Y	Y	Y	OB NVMe
4-2-C	1 only	N	Y	N	N	0	0	8	0	0	0	0	0	0	2x 2.5" 4xNVMe G5 (2x C2NN)	N	Y	Y	OB NVMe
5-1	1 or 2	Y	Y	Y	N	0	8	0	0	0	0	0	0	0	2x 2.5" 4xAnyBay G5 (2x C2RA)	Y*	Y	Y	(940-8i or 940-16i) (Tri-Mode)
5-2	2 only	Y	N	Y	N	0	8	0	0	0	0	0	0	0	2x 2.5" 4xAnyBay G5 (2x C2RA)	Y	Y	Y	940-16i CFF (Tri-Mode)
5-3	1 only	Y	N	Y	N	0	8	0	0	0	0	0	0	0	2x 2.5" 4xAnyBay G5 (2x C2RA)	Y	Y	Y	940-16i CFF (Tri-Mode)

Config	CPUs	CPU cooling				Front drive bays					Rear drives			Backplanes	M.2			Controllers	
		Air cooled	Closed loop	Open loop CPUs	Open loop CPUs+Mem	SAS/SATA	AnyBay	NVMe	E3.S 1T	E3.S 2T	SAS/SATA	AnyBay	NVMe		M.2 Internal	M.2 Rear HS	M.2 Front HS		
6-1	1 or 2	Y	Y	Y	N	10	0	0	0	0	0	0	0	0	2.5" 10xSAS/SATA (C21W)	Y*	Y	N	9350-16i
6-2	1 or 2	Y	Y	Y	N	10	0	0	0	0	0	0	0	0		Y*	Y	N	4350-16i
6-3	1 or 2	Y	Y	Y	N	10	0	0	0	0	0	0	0	0		Y*	Y	N	940-16i
6-4	1 or 2	Y	Y	Y	N	10	0	0	0	0	0	0	0	0		Y*	Y	N	440-16i
6-5	2 only	Y	N	Y	N	10	0	0	0	0	0	0	0	0		Y	Y	N	440-16i CFF
6-6	2 only	Y	N	Y	N	10	0	0	0	0	0	0	0	0		Y	Y	N	940-16i CFF
6-7	1 only	Y	N	Y	N	10	0	0	0	0	0	0	0	0		Y	Y	N	440-16i CFF
6-8	1 only	Y	N	Y	N	10	0	0	0	0	0	0	0	0		Y	Y	N	940-16i CFF
7-1	1 or 2	Y	N	Y	N	10	0	0	0	0	2	0	0	0	Front: 2.5" 10xSAS/SATA (C21W) + Rear: 2.5" 2xSAS/SATA (C225)	Y*	N	N	9350-16i
7-2	1 or 2	Y	N	Y	N	10	0	0	0	0	2	0	0	0		Y*	N	N	4350-16i
7-3	1 or 2	Y	N	Y	N	10	0	0	0	0	2	0	0	0		Y*	N	N	940-16i
7-4	1 or 2	Y	N	Y	N	10	0	0	0	0	2	0	0	0		Y*	N	N	440-16i
7-5	2 only	Y	N	Y	N	10	0	0	0	0	2	0	0	0		Y	N	N	940-16i CFF
7-6	2 only	Y	N	Y	N	10	0	0	0	0	2	0	0	0		Y	N	N	440-16i CFF
7-7	1 only	Y	N	Y	N	10	0	0	0	0	2	0	0	0		Y	N	N	940-16i CFF
7-8	1 only	Y	N	Y	N	10	0	0	0	0	2	0	0	0		Y	N	N	440-16i CFF
8-1	2 only	Y	N	Y	N	0	0	10	0	0	0	0	0	0	2.5" 10xNVMe G5 (C21X)	Y	Y	N	OB NVMe
8-1-C	2 only	N	Y	N	N	0	0	10	0	0	0	0	0	0		N	Y	N	OB NVMe
9-1	2 only	Y	N	Y	N	0	0	10	0	0	0	0	2	0	Front: 2.5" 10xNVMe G5 (C21X) + Rear: 2.5" 2xNVMe G5 (C226)	Y	N	N	OB NVMe
10-1	1 or 2	Y	N	Y	N	6	4	0	0	0	0	0	0	0	2.5" 6xSAS/SATA + 4xAnyBay G5 (C21Y)	Y	Y	N	OB NVMe + 9350-16i
10-1-C	1 or 2	N	Y	N	N	6	4	0	0	0	0	0	0	0		N	Y	N	OB NVMe + 9350-16i
10-2	1 or 2	Y	N	Y	N	6	4	0	0	0	0	0	0	0		Y	Y	N	OB NVMe + 4350-16i
10-2-C	1 or 2	N	Y	N	N	6	4	0	0	0	0	0	0	0		N	Y	N	OB NVMe + 4350-16i
10-3	1 or 2	Y	N	Y	N	6	4	0	0	0	0	0	0	0		Y	Y	N	OB NVMe + 940-16i
10-3-C	1 or 2	N	Y	N	N	6	4	0	0	0	0	0	0	0		N	Y	N	OB NVMe + 940-16i
10-4	1 or 2	Y	N	Y	N	6	4	0	0	0	0	0	0	0		Y	Y	N	OB NVMe + 440-16i
10-4-C	1 or 2	N	Y	N	N	6	4	0	0	0	0	0	0	0		N	Y	N	OB NVMe + 440-16i
10-5	2 only	Y	N	Y	N	6	4	0	0	0	0	0	0	0		Y	Y	N	OB NVMe + 440-16i CFF
10-6	2 only	Y	N	Y	N	6	4	0	0	0	0	0	0	0		Y	Y	N	OB NVMe + 940-16i CFF
10-7	1 only	Y	N	Y	N	6	4	0	0	0	0	0	0	0		Y	Y	N	OB NVMe + 440-16i CFF
10-8	1 only	Y	N	Y	N	6	4	0	0	0	0	0	0	0		Y	Y	N	OB NVMe + 940-16i CFF

Config	CPUs	CPU cooling				Front drive bays					Rear drives			Backplanes	M.2			Controllers		
		Air cooled	Closed loop	Open loop CPUs	Open loop CPUs+Mem	SAS/SATA	AnyBay	NVMe	E3.S 1T	E3.S 2T	SAS/SATA	AnyBay	NVMe		M.2 Internal	M.2 Rear HS	M.2 Front HS			
12-1	1 or 2	Y	N	Y	N	6	2	2	0	0	0	0	0	0	2.5" 6xSAS/SATA + 2xAnyBay + 2xNVMe G5 (C21Z)	Y	Y	N	OB NVMe + (9350-8i or 9350-16i)	
12-1-C	1 or 2	N	Y	N	N											N	Y	N	OB NVMe + (9350-8i or 9350-16i)	
12-2	1 or 2	Y	N	Y	N											Y	Y	N	OB NVMe + 4350-16i	
12-2-C	1 or 2	N	Y	N	N											N	Y	N	OB NVMe + 4350-16i	
12-3	1 or 2	Y	N	Y	N											Y	Y	N	OB NVMe + (545-8i or 940-8i or 940-16i)	
12-3-C	1 or 2	N	Y	N	N											N	Y	N	OB NVMe + (545-8i or 940-8i or 940-16i)	
12-4	1 or 2	Y	N	Y	N											Y	Y	N	OB NVMe + 440-16i	
12-4-C	1 or 2	N	Y	N	N											N	Y	N	OB NVMe + 440-16i	
12-5	2 only	Y	N	Y	N											Y	Y	N	OB NVMe + 440-16i CFF	
12-6	2 only	Y	N	Y	N											Y	Y	N	OB NVMe + 940-16i CFF	
12-7	1 only	Y	N	Y	N											Y	Y	N	OB NVMe + 440-16i CFF	
12-8	1 only	Y	N	Y	N											Y	Y	N	OB NVMe + 940-16i CFF	
14-1	2 only	Y	N	Y	N	0	10	0	0	0	0	0	0	0	2.5" 10xAnyBay G5 (C220)	Y	Y	N	OB NVMe + 9350-16i	
14-1-C	2 only	N	Y	N	N											N	Y	N	OB NVMe + 9350-16i	
14-2	2 only	Y	N	Y	N											Y	Y	N	OB NVMe + 4350-16i	
14-2-C	2 only	N	Y	N	N											N	Y	N	OB NVMe + 4350-16i	
14-3	2 only	Y	N	Y	N											Y	Y	N	OB NVMe + 940-16i	
14-3-C	2 only	N	Y	N	N											N	Y	N	OB NVMe + 940-16i	
14-4	2 only	Y	N	Y	N											Y	Y	N	OB NVMe + 440-16i	
14-4-C	2 only	N	Y	N	N											N	Y	N	OB NVMe + 440-16i	
14-5	2 only	Y	N	Y	N											Y	Y	N	OB NVMe + 440-16i CFF	
14-6	2 only	Y	N	Y	N											Y	Y	N	OB NVMe + 940-16i CFF	
18-1	1 or 2	Y	Y	Y	N	0	10	0	0	0	0	0	0	0		2.5" 10xAnyBay G5 (C220)	Y*	Y	N	940-16i (Tri-Mode)
18-2	2 only	Y	N	Y	N												Y	Y	N	940-16i CFF (Tri-Mode)
18-3	1 only	Y	N	Y	N										Y		Y	N	940-16i CFF (Tri-Mode)	
19-1	1 or 2	Y	N	Y	N	0	10	0	0	0	0	2	0	Front: 2.5" 10xAnyBay G5 (C220) + Rear: 2.5" 2xAnyBay G5 (C227)	Y*	N	N	940-16i (Tri-Mode)		
19-2	2 only	Y	N	Y	N										Y	N	N	940-16i CFF (Tri-Mode)		
19-3	1 only	Y	N	Y	N										Y	N	N	940-16i CFF (Tri-Mode)		
20-1	2 only	Y	N	Y	N	0	0	0	4	0	0	0	0	E3.S 1T G5 (C221)	Y	Y	Y	OB NVMe		
20-1-C	2 only	N	Y	N	N										Y	Y	Y	OB NVMe		
21-1	2 only	Y	N	Y	N	0	0	0	8	0	0	0	0	2x E3.S 1T G5 (2x C221)	Y	Y	N	OB NVMe		
21-1-C	2 only	N	Y	N	N										Y	Y	N	OB NVMe		
22-1	2 only	Y	N	Y	N	0	0	0	12	0	0	0	0	3x E3.S 1T G5 (3x C221)	Y	Y	N	OB NVMe		
22-1-C	2 only	N	Y	N	N										Y	Y	N	OB NVMe		
23-1	2 only	Y	N	Y	N	0	0	0	16	0	0	0	0	4x E3.S 1T G5 (4x C221)	Y	Y	N	OB NVMe		
23-1-C	2 only	N	Y	N	N										Y	Y	N	OB NVMe		

Config	CPUs	CPU cooling				Front drive bays					Rear drives			Backplanes	M.2			Controllers
		Air cooled	Closed loop	Open loop CPUs	Open loop CPUs+Mem	SAS/SATA	AnyBay	NVMe	E3.S 1T	E3.S 2T	SAS/SATA	AnyBay	NVMe		M.2 Internal	M.2 Rear HS	M.2 Front HS	
24-1	1 only	Y	N	Y	N	0	0	0	4	0	0	0	0	E3.S 1T G5 (C221)	Y	Y	Y	OB NVMe
24-1-C	1 only	N	Y	N	N										Y	Y	Y	OB NVMe
25--1	1 only	Y	N	Y	N	0	0	0	8	0	0	0	0	2x E3.S 1T G5 (2x C221)	Y	Y	N	OB NVMe
25-1-C	1 only	N	Y	N	N										Y	Y	N	OB NVMe
33-1	1 only	Y	N	Y	N	0	0	0	4	2	0	0	0	E3.S 1T G5 (C221) + E3.S 2T G5 (C222)	Y	Y	N	OB NVMe
33-1-C	1 only	N	Y	N	N										Y	Y	N	OB NVMe
34-1	2 only	Y	N	Y	N	0	0	0	4	4	0	0	0	E3.S 1T G5 (C221) + 2x E3.S 2T G5 (2x C222)	Y	Y	N	OB NVMe
34-1-C	2 only	N	Y	N	N										Y	Y	N	OB NVMe
37-1	2 only	Y	N	Y	N	0	0	0	8	4	0	0	0	2x E3.S 1T G5 (2x C221) + 2x E3.S 2T G5 (2x C222)	Y	Y	N	OB NVMe
37-1-C	2 only	N	Y	N	N										Y	Y	N	OB NVMe
38-1	1 only	Y	N	Y	N	0	0	0	0	4	0	0	0	2x E3.S 2T G5 (2x C222)	Y	Y	N	OB NVMe
38-1-C	1 only	N	Y	N	N										Y	Y	N	OB NVMe
39-1	2 only	Y	N	Y	N	0	0	0	0	8	0	0	0	4x E3.S 2T G5 (4x C222)	Y	Y	N	OB NVMe
39-1-C	2 only	N	Y	N	N										Y	Y	N	OB NVMe
63-1	2 only	Y	N	Y	N	0	0	0	8	0	0	0	0	2x E3.S 1T G5 (2x C221)	Y	N	Y	OB NVMe
63-1-C	2 only	N	Y	N	N										Y	N	Y	OB NVMe
64-1	2 only	Y	N	Y	N	0	0	0	12	0	0	0	0	3x E3.S 1T G5 (3x C221)	Y	N	Y	OB NVMe
64-1-C	2 only	N	Y	N	N										Y	N	Y	OB NVMe

\* Internal M.2 is not supported in Lenovo Neptune Air closed-loop cooling configurations

## Details of storage configs - Open Loop CPU+Memory cooling

The following table lists the detailed storage configurations for machine type 7DK1 (open-loop CPU+Memory cooling).

Go back to the [overview of configurations](#).

Return to [Storage configurations](#).

Table 31. Details of storage configs - Open Loop CPU+Memory cooling

Config	CPUs	CPU cooling				Front drive bays					Rear drives			Backplanes	M.2			Controllers	
		Air cooled	Closed loop	Open loop CPUs	Open loop CPUs+Mem	SAS/SATA	AnyBay	NVMe	E3.S 1T	E3.S 2T	SAS/SATA	AnyBay	NVMe		M.2 Internal	M.2 Rear HS	M.2 Front HS		
47-1	2 only	N	N	N	Y	4	0	0	0	0	0	0	0	0	2.5" 4xSAS/SATA (C2NM)	Y	N	Y	(5350-8i or 9350-8i)
47-3	2 only	N	N	N	Y											Y	N	Y	(545-8i or 940-8i)
47-5	2 only	N	N	N	Y											Y	N	Y	440-16i CFF
47-6	2 only	N	N	N	Y											Y	N	Y	940-16i CFF
48-1	2 only	N	N	N	Y	0	0	4	0	0	0	0	0	0	2.5" 4xNVMe G5 (C2NN)	Y	N	Y	OB NVMe
49-1	2 only	N	N	N	Y	8	0	0	0	0	0	0	0	0	2.5" 8xSAS/SATA (C21T)	Y	N	Y	(5350-8i or 9350-8i or 9350-16i)
49-2	2 only	N	N	N	Y											Y	N	Y	4350-16i
49-3	2 only	N	N	N	Y											Y	N	Y	(545-8i or 940-8i or 940-16i)
49-4	2 only	N	N	N	Y											Y	N	Y	440-16i
49-5	2 only	N	N	N	Y											Y	N	Y	940-16i CFF
49-6	2 only	N	N	N	Y											Y	N	Y	440-16i CFF
50-1	2 only	N	N	N	Y	0	0	8	0	0	0	0	0	0	2x 2.5" 4xNVMe G5 (2x C2NN)	Y	N	Y	OB NVMe
51-1	2 only	N	N	N	Y	0	8	0	0	0	0	0	0	0	2x 2.5" 4xAnyBay G5 (2x C2RA)	Y	N	Y	(940-8i or 940-16i) (Tri-Mode)
51-2	2 only	N	N	N	Y											Y	N	Y	940-16i CFF (Tri-Mode)
52-1	2 only	N	N	N	Y	10	0	0	0	0	0	0	0	0	2.5" 10xSAS/SATA (C21W)	Y	N	N	9350-16i
52-2	2 only	N	N	N	Y											Y	N	N	4350-16i
52-3	2 only	N	N	N	Y											Y	N	N	940-16i
52-4	2 only	N	N	N	Y											Y	N	N	440-16i
52-5	2 only	N	N	N	Y											Y	N	N	440-16i CFF
52-6	2 only	N	N	N	Y											Y	N	N	940-16i CFF
53-1	2 only	N	N	N	Y	0	0	10	0	0	0	0	0	0	2.5" 10xNVMe G5 (C21X)	Y	N	N	OB NVMe
54-1	2 only	N	N	N	Y	0	10	0	0	0	0	0	0	0	2.5" 10xAnyBay G5 (C220)	Y	N	N	940-16i (Tri-Mode)
54-2	2 only	N	N	N	Y											Y	N	N	940-16i CFF (Tri-Mode)
58-1	2 only	N	N	N	Y	0	0	0	4	0	0	0	0	0	E3.S 1T G5 (C221)	Y	N	Y	OB NVMe
59-1	2 only	N	N	N	Y	0	0	0	8	0	0	0	0	0	2x E3.S 1T G5 (2x C221)	Y	N	N	OB NVMe
60-1	2 only	N	N	N	Y	0	0	0	12	0	0	0	0	0	3x E3.S 1T G5 (3x C221)	Y	N	N	OB NVMe
62-1	2 only	N	N	N	Y	0	0	0	8	0	0	0	0	0	2x E3.S 1T G5 (2x C221)	Y	N	Y	OB NVMe

## Field upgrades

This section describes field upgrades related to internal storage.

In this section:

- [Drive bay field upgrades](#)
- [Upgrades to Internal \(CFF\) RAID adapter](#)
- [RAID flash power module \(supercap\) support](#)

For M.2 field upgrades, see the [M.2 drives](#) section.

### Drive bay field upgrades

The SR630 V4 is orderable without drive bays, allowing you to add a backplane, cabling and controllers as field upgrades. The following table summarizes the option part numbers you will need to order for each available drive configuration.

Configuration rules:

- For front drive bays, backplane kits do not include cables. Cables must be ordered separately.
- For Rear drive bays, backplane kits included cables.
- There is no upgrade path to add drive bays if the SR630 V4 already has a backplane, without removing the existing backplane. For example, you cannot upgrade an 8x 2.5-inch drive bay to 10 bays without first removing the existing backplane.

The following table lists the part numbers needed for each storage configuration.

Table 32. Field upgrades

Front storage configuration	Part numbers (all needed)
Field upgrades for servers using Air Cooled, Closed Loop, Open Loop CPU cooling	
4x 2.5-inch NVMe	<ul style="list-style-type: none"> <li>• 4XH7A96830, ThinkSystem SR630 V4 4x2.5" AnyBay Gen5 Backplane Option Kit</li> <li>• 4X97A96839, ThinkSystem SR630 V4 4x2.5" AnyBay Backplane NVMe Cable Kit</li> </ul>
8x 2.5-inch NVMe using Tri-Mode	<ul style="list-style-type: none"> <li>• 4XH7A96830, ThinkSystem SR630 V4 4x2.5" AnyBay Gen5 Backplane Option Kit</li> <li>• 4XH7A96830, ThinkSystem SR630 V4 4x2.5" AnyBay Gen5 Backplane Option Kit</li> <li>• 4X97A96846, ThinkSystem SR630 V4 10x2.5" Gen5 AnyBay Backplane SAS/SATA Cable Kit</li> </ul>
8x 2.5-inch NVMe	<ul style="list-style-type: none"> <li>• 4XH7A96830, ThinkSystem SR630 V4 4x2.5" AnyBay Gen5 Backplane Option Kit</li> <li>• 4XH7A96830, ThinkSystem SR630 V4 4x2.5" AnyBay Gen5 Backplane Option Kit</li> <li>• 4X97A96842, ThinkSystem SR630 V4 8x2.5" AnyBay Backplane NVMe Cable Kit</li> </ul>
4x 2.5-inch SAS/SATA	<ul style="list-style-type: none"> <li>• 4XH7A96831, ThinkSystem SR630 V4 4x2.5" SAS/SATA Backplane Option Kit</li> <li>• 4X97A96841, ThinkSystem SR630 V4 4x2.5" Backplane SAS/SATA Cable Kit</li> </ul>
8x 2.5-inch SAS/SATA	<ul style="list-style-type: none"> <li>• 4XH7A96833, ThinkSystem SR630 V4 8x2.5" SAS/SATA Backplane Option Kit</li> <li>• 4X97A96846, ThinkSystem SR630 V4 10x2.5" Gen5 AnyBay Backplane SAS/SATA Cable Kit</li> </ul>
10x 2.5-inch SAS/SATA	<ul style="list-style-type: none"> <li>• 4XH7A96834, ThinkSystem SR630 V4 10x2.5" AnyBay Gen5 Backplane Option Kit</li> <li>• 4X97A96846, ThinkSystem SR630 V4 10x2.5" Gen5 AnyBay Backplane SAS/SATA Cable Kit</li> </ul>
10x 2.5-inch SAS/SATA + 2x 2.5-inch Rear SAS/SATA	<ul style="list-style-type: none"> <li>• 4XH7A96834, ThinkSystem SR630 V4 10x2.5" AnyBay Gen5 Backplane Option Kit</li> <li>• 4XH7A96835, ThinkSystem SR630 V4 2x2.5" AnyBay Gen5 Rear Backplane Option Kit</li> <li>• 4X97A96846, ThinkSystem SR630 V4 10x2.5" Gen5 AnyBay Backplane SAS/SATA Cable Kit</li> </ul>
10x 2.5-inch NVMe	<ul style="list-style-type: none"> <li>• 4XH7A96834, ThinkSystem SR630 V4 10x2.5" AnyBay Gen5 Backplane Option Kit</li> <li>• 4X97A96845, ThinkSystem SR630 V4 10x2.5" AnyBay Backplane NVMe Cable Kit</li> </ul>
10x 2.5-inch NVMe	<ul style="list-style-type: none"> <li>• 4XH7A96834, ThinkSystem SR630 V4 10x2.5" AnyBay Gen5 Backplane Option Kit</li> <li>• 4X97A96845, ThinkSystem SR630 V4 10x2.5" AnyBay Backplane NVMe Cable Kit</li> </ul>

<b>Front storage configuration</b>	<b>Part numbers (all needed)</b>
10x 2.5-inch NVMe + 2x 2.5-inch Rear NVMe	<ul style="list-style-type: none"> <li>4XH7A96835, ThinkSystem SR630 V4 2x2.5" AnyBay Gen5 Rear Backplane Option Kit</li> </ul>
10x 2.5-inch (6x SAS/SATA, 4x NVMe)	<ul style="list-style-type: none"> <li>4XH7A96834, ThinkSystem SR630 V4 10x2.5" AnyBay Gen5 Backplane Option Kit</li> <li>4X97A96846, ThinkSystem SR630 V4 10x2.5" Gen5 AnyBay Backplane SAS/SATA Cable Kit</li> <li>4X97A96843, ThinkSystem SR630 V4 4x2.5" NVMe Cable Kit for 6SAS/SATA+4Anybay &amp; CPU+MEM DWC Module</li> </ul>
10x 2.5-inch (6x SAS/SATA, 2x AnyBay, 2x NVMe)	<ul style="list-style-type: none"> <li>4XH7A96834, ThinkSystem SR630 V4 10x2.5" AnyBay Gen5 Backplane Option Kit</li> <li>4X97A96846, ThinkSystem SR630 V4 10x2.5" Gen5 AnyBay Backplane SAS/SATA Cable Kit</li> <li>4X97A96843, ThinkSystem SR630 V4 4x2.5" NVMe Cable Kit for 6SAS/SATA+4Anybay &amp; CPU+MEM DWC Module</li> </ul>
10x 2.5-inch AnyBay	<ul style="list-style-type: none"> <li>4XH7A96834, ThinkSystem SR630 V4 10x2.5" AnyBay Gen5 Backplane Option Kit</li> <li>4X97A96846, ThinkSystem SR630 V4 10x2.5" Gen5 AnyBay Backplane SAS/SATA Cable Kit</li> <li>4X97A96845, ThinkSystem SR630 V4 10x2.5" AnyBay Backplane NVMe Cable Kit</li> </ul>
10x 2.5-inch NVMe using Tri-Mode	<ul style="list-style-type: none"> <li>4XH7A96834, ThinkSystem SR630 V4 10x2.5" AnyBay Gen5 Backplane Option Kit</li> <li>4X97A96846, ThinkSystem SR630 V4 10x2.5" Gen5 AnyBay Backplane SAS/SATA Cable Kit</li> </ul>
10x 2.5-inch NVMe + 2x 2.5-inch Rear NVMe using Tri-Mode	<ul style="list-style-type: none"> <li>4XH7A96834, ThinkSystem SR630 V4 10x2.5" AnyBay Gen5 Backplane Option Kit</li> <li>4XH7A96835, ThinkSystem SR630 V4 2x2.5" AnyBay Gen5 Rear Backplane Option Kit</li> <li>4X97A96846, ThinkSystem SR630 V4 10x2.5" Gen5 AnyBay Backplane SAS/SATA Cable Kit</li> </ul>
2x 2.5-inch Rear SAS/SATA	<ul style="list-style-type: none"> <li>4XH7A96835, ThinkSystem SR630 V4 2x2.5" AnyBay Gen5 Rear Backplane Option Kit</li> </ul>
2x 2.5-inch Rear NVMe using Tri-Mode	<ul style="list-style-type: none"> <li>4XH7A96835, ThinkSystem SR630 V4 2x2.5" AnyBay Gen5 Rear Backplane Option Kit</li> </ul>
2x 2.5-inch Rear NVMe	<ul style="list-style-type: none"> <li>4XH7A96835, ThinkSystem SR630 V4 2x2.5" AnyBay Gen5 Rear Backplane Option Kit</li> </ul>
4x E3.S 1T	<ul style="list-style-type: none"> <li>4XH7B03854, ThinkSystem V4 1U/2U E3.S 4x1T Backplane Option Kit</li> <li>4X97B04178, ThinkSystem SR630 V4 E3.S 1T Book 2&amp;3 Cable Kit</li> </ul>
8x E3.S 1T	<ul style="list-style-type: none"> <li>4XH7B03854, ThinkSystem V4 1U/2U E3.S 4x1T Backplane Option Kit</li> <li>4XH7B03854, ThinkSystem V4 1U/2U E3.S 4x1T Backplane Option Kit</li> <li>4X97B04178, ThinkSystem SR630 V4 E3.S 1T Book 2&amp;3 Cable Kit</li> <li>4X97B04177, ThinkSystem SR630 V4 E3.S 1T Book 1&amp;4 Cable Kit</li> </ul>
12x E3.S 1T	<ul style="list-style-type: none"> <li>4XH7B03854, ThinkSystem V4 1U/2U E3.S 4x1T Backplane Option Kit</li> <li>4XH7B03854, ThinkSystem V4 1U/2U E3.S 4x1T Backplane Option Kit</li> <li>4XH7B03854, ThinkSystem V4 1U/2U E3.S 4x1T Backplane Option Kit</li> <li>4X97B04178, ThinkSystem SR630 V4 E3.S 1T Book 2&amp;3 Cable Kit</li> <li>4X97B04177, ThinkSystem SR630 V4 E3.S 1T Book 1&amp;4 Cable Kit</li> <li>4X97B04177, ThinkSystem SR630 V4 E3.S 1T Book 1&amp;4 Cable Kit</li> </ul>
16x E3.S 1T	<ul style="list-style-type: none"> <li>4XH7B03854, ThinkSystem V4 1U/2U E3.S 4x1T Backplane Option Kit</li> <li>4XH7B03854, ThinkSystem V4 1U/2U E3.S 4x1T Backplane Option Kit</li> <li>4XH7B03854, ThinkSystem V4 1U/2U E3.S 4x1T Backplane Option Kit</li> <li>4XH7B03854, ThinkSystem V4 1U/2U E3.S 4x1T Backplane Option Kit</li> <li>4X97B04178, ThinkSystem SR630 V4 E3.S 1T Book 2&amp;3 Cable Kit</li> <li>4X97B04177, ThinkSystem SR630 V4 E3.S 1T Book 1&amp;4 Cable Kit</li> <li>4X97B04177, ThinkSystem SR630 V4 E3.S 1T Book 1&amp;4 Cable Kit</li> <li>4X97B04178, ThinkSystem SR630 V4 E3.S 1T Book 2&amp;3 Cable Kit</li> </ul>

<b>Front storage configuration</b>	<b>Part numbers (all needed)</b>
4x E3.S 1T + 2x E3.S 2T	<ul style="list-style-type: none"> <li>• 4XH7B03854, ThinkSystem V4 1U/2U E3.S 4x1T Backplane Option Kit</li> <li>• 4XH7B03856, ThinkSystem V4 1U/2U E3.S 2x2T Backplane Option Kit</li> <li>• 4X97B04178, ThinkSystem SR630 V4 E3.S 1T Book 2&amp;3 Cable Kit</li> <li>• 4X97B04181, ThinkSystem SR630 V4 E3.S 2T Book 1&amp;4 Cable Kit</li> </ul>
4x E3.S 1T + 4x E3.S 2T	<ul style="list-style-type: none"> <li>• 4XH7B03854, ThinkSystem V4 1U/2U E3.S 4x1T Backplane Option Kit</li> <li>• 4XH7B03856, ThinkSystem V4 1U/2U E3.S 2x2T Backplane Option Kit</li> <li>• 4XH7B03856, ThinkSystem V4 1U/2U E3.S 2x2T Backplane Option Kit</li> <li>• 4X97B04178, ThinkSystem SR630 V4 E3.S 1T Book 2&amp;3 Cable Kit</li> <li>• 4X97B04181, ThinkSystem SR630 V4 E3.S 2T Book 1&amp;4 Cable Kit</li> <li>• 4X97B04182, ThinkSystem SR630 V4 E3.S 2T Book 2&amp;3 Cable Kit</li> </ul>
8x E3.S 1T + 4x E3.S 2T	<ul style="list-style-type: none"> <li>• 4XH7B03854, ThinkSystem V4 1U/2U E3.S 4x1T Backplane Option Kit</li> <li>• 4XH7B03856, ThinkSystem V4 1U/2U E3.S 2x2T Backplane Option Kit</li> <li>• 4XH7B03856, ThinkSystem V4 1U/2U E3.S 2x2T Backplane Option Kit</li> <li>• 4XH7B03854, ThinkSystem V4 1U/2U E3.S 4x1T Backplane Option Kit</li> <li>• 4X97B04178, ThinkSystem SR630 V4 E3.S 1T Book 2&amp;3 Cable Kit</li> <li>• 4X97B04181, ThinkSystem SR630 V4 E3.S 2T Book 1&amp;4 Cable Kit</li> <li>• 4X97B04182, ThinkSystem SR630 V4 E3.S 2T Book 2&amp;3 Cable Kit</li> <li>• 4X97B04177, ThinkSystem SR630 V4 E3.S 1T Book 1&amp;4 Cable Kit</li> </ul>
4x E3.S 2T	<ul style="list-style-type: none"> <li>• 4XH7B03856, ThinkSystem V4 1U/2U E3.S 2x2T Backplane Option Kit</li> <li>• 4XH7B03856, ThinkSystem V4 1U/2U E3.S 2x2T Backplane Option Kit</li> <li>• 4X97B04182, ThinkSystem SR630 V4 E3.S 2T Book 2&amp;3 Cable Kit</li> <li>• 4X97B04181, ThinkSystem SR630 V4 E3.S 2T Book 1&amp;4 Cable Kit</li> </ul>
8x E3.S 2T	<ul style="list-style-type: none"> <li>• 4XH7B03856, ThinkSystem V4 1U/2U E3.S 2x2T Backplane Option Kit</li> <li>• 4XH7B03856, ThinkSystem V4 1U/2U E3.S 2x2T Backplane Option Kit</li> <li>• 4XH7B03856, ThinkSystem V4 1U/2U E3.S 2x2T Backplane Option Kit</li> <li>• 4XH7B03856, ThinkSystem V4 1U/2U E3.S 2x2T Backplane Option Kit</li> <li>• 4X97B04182, ThinkSystem SR630 V4 E3.S 2T Book 2&amp;3 Cable Kit</li> <li>• 4X97B04181, ThinkSystem SR630 V4 E3.S 2T Book 1&amp;4 Cable Kit</li> <li>• 4X97B04181, ThinkSystem SR630 V4 E3.S 2T Book 1&amp;4 Cable Kit</li> <li>• 4X97B04182, ThinkSystem SR630 V4 E3.S 2T Book 2&amp;3 Cable Kit</li> </ul>
<b>Field upgrades for servers using Open Loop CPU+Memory cooling (machine type 7DK1 only)</b>	
4x 2.5-inch NVMe	<ul style="list-style-type: none"> <li>• 4XH7A96830, ThinkSystem SR630 V4 4x2.5" AnyBay Gen5 Backplane Option Kit</li> <li>• 4X97A96843, ThinkSystem SR630 V4 4x2.5" NVMe Cable Kit for 6SAS/SATA+4Anybay &amp; CPU+MEM DWC Module</li> </ul>
8x 2.5-inch NVMe using Tri-Mode	<ul style="list-style-type: none"> <li>• 4XH7A96830, ThinkSystem SR630 V4 4x2.5" AnyBay Gen5 Backplane Option Kit</li> <li>• 4XH7A96830, ThinkSystem SR630 V4 4x2.5" AnyBay Gen5 Backplane Option Kit</li> <li>• 4X97B04176, ThinkSystem SR630 V4 10x2.5" AnyBay Backplane SAS/SATA Cable Kit for CPU+MEM DWC Module</li> </ul>
4x 2.5-inch NVMe	<ul style="list-style-type: none"> <li>• 4XH7A96830, ThinkSystem SR630 V4 4x2.5" AnyBay Gen5 Backplane Option Kit</li> <li>• 4XH7A96830, ThinkSystem SR630 V4 4x2.5" AnyBay Gen5 Backplane Option Kit</li> <li>• 4X97A96844, ThinkSystem SR630 V4 10x2.5" AnyBay Backplane NVMe Cable Kit for CPU+MEM DWC Module</li> </ul>
4x 2.5-inch SAS/SATA	<ul style="list-style-type: none"> <li>• 4XH7A96831, ThinkSystem SR630 V4 4x2.5" SAS/SATA Backplane Option Kit</li> <li>• 4X97A96841, ThinkSystem SR630 V4 4x2.5" Backplane SAS/SATA Cable Kit</li> </ul>
8x 2.5-inch SAS/SATA	<ul style="list-style-type: none"> <li>• 4XH7A96833, ThinkSystem SR630 V4 8x2.5" SAS/SATA Backplane Option Kit</li> <li>• 4X97B04176, ThinkSystem SR630 V4 10x2.5" AnyBay Backplane SAS/SATA Cable Kit for CPU+MEM DWC Module</li> </ul>
10x 2.5-inch SAS/SATA	<ul style="list-style-type: none"> <li>• 4XH7A96834, ThinkSystem SR630 V4 10x2.5" AnyBay Gen5 Backplane Option Kit</li> <li>• 4X97B04176, ThinkSystem SR630 V4 10x2.5" AnyBay Backplane SAS/SATA Cable Kit for CPU+MEM DWC Module</li> </ul>
10x 2.5-inch NVMe	<ul style="list-style-type: none"> <li>• 4XH7A96834, ThinkSystem SR630 V4 10x2.5" AnyBay Gen5 Backplane Option Kit</li> <li>• 4X97A96844, ThinkSystem SR630 V4 10x2.5" AnyBay Backplane NVMe Cable Kit for CPU+MEM DWC Module</li> </ul>

Front storage configuration	Part numbers (all needed)
10x 2.5-inch NVMe using Tri-Mode	<ul style="list-style-type: none"> <li>4XH7A96834, ThinkSystem SR630 V4 10x2.5" AnyBay Gen5 Backplane Option Kit</li> <li>4X97B04176, ThinkSystem SR630 V4 10X2.5" AnyBay Backplane SAS/SATA Cable Kit for CPU+MEM DWC Module</li> </ul>
4x E3.S 1T	<ul style="list-style-type: none"> <li>4XH7B03854, ThinkSystem V4 1U/2U E3.S 4x1T Backplane Option Kit</li> <li>4X97B04180, ThinkSystem SR630 V4 E3.S 1T Book 3 Cable Kit for CPU+MEM DWC Module</li> </ul>
8x E3.S 1T	<ul style="list-style-type: none"> <li>4XH7B03854, ThinkSystem V4 1U/2U E3.S 4x1T Backplane Option Kit</li> <li>4X97B04180, ThinkSystem SR630 V4 E3.S 1T Book 3 Cable Kit for CPU+MEM DWC Module</li> </ul>
8x E3.S 1T	<ul style="list-style-type: none"> <li>4XH7B03854, ThinkSystem V4 1U/2U E3.S 4x1T Backplane Option Kit</li> <li>4X97B04179, ThinkSystem SR630 V4 E3.S 1T Book 1&amp;4 Cable Kit for CPU+MEM DWC Module</li> </ul>
12x E3.S 1T	<ul style="list-style-type: none"> <li>4XH7B03854, ThinkSystem V4 1U/2U E3.S 4x1T Backplane Option Kit</li> <li>4XH7B03854, ThinkSystem V4 1U/2U E3.S 4x1T Backplane Option Kit</li> <li>4XH7B03854, ThinkSystem V4 1U/2U E3.S 4x1T Backplane Option Kit</li> <li>4X97B04180, ThinkSystem SR630 V4 E3.S 1T Book 3 Cable Kit for CPU+MEM DWC Module</li> <li>4X97B04179, ThinkSystem SR630 V4 E3.S 1T Book 1&amp;4 Cable Kit for CPU+MEM DWC Module</li> <li>4X97B04179, ThinkSystem SR630 V4 E3.S 1T Book 1&amp;4 Cable Kit for CPU+MEM DWC Module</li> </ul>

When adding drive bays, you will also need to add the appropriate storage controller(s). Consult the tables in the [Storage configurations](#) section to determine what controller sections are supported and what additional controllers you will need. Controllers are described in the [Controllers for internal storage](#) section.

#### Upgrades to Internal (CFF) RAID adapter

If you want to add an internal (CFF) storage adapter (HBA, RAID adapter or SAS expander) to a configuration, you will need to order the cable kit as listed in the following table. Suitable upgrades are either replacing an existing adapter in a rear PCIe slot, or adding the CFF adapter to a server without any storage adapter installed.

Table 33. Cable needed for field upgrades to add CFF adapter

Part number	Description
4X97B05995	ThinkSystem SR630 V4 Internal Raid Adapter Cable Kit

#### RAID flash power module (supercap) support

If you plan to add one of the RAID adapters that includes a RAID flash power module (supercap) as a field upgrade, then depending on the location, you may also need to order a Supercap installation kit for the power module. For CTO orders, the components in the installation kit are automatically derived when you select the RAID adapter.

The adapters that require a supercap are as follows:

- Any supported RAID 940 adapter

There are up to five possible locations for supercaps, depending on the front drive bays, slot configuration, and the type of the processor heatsinks. Details are summarized in the following table. Location references are shown in the figure below.

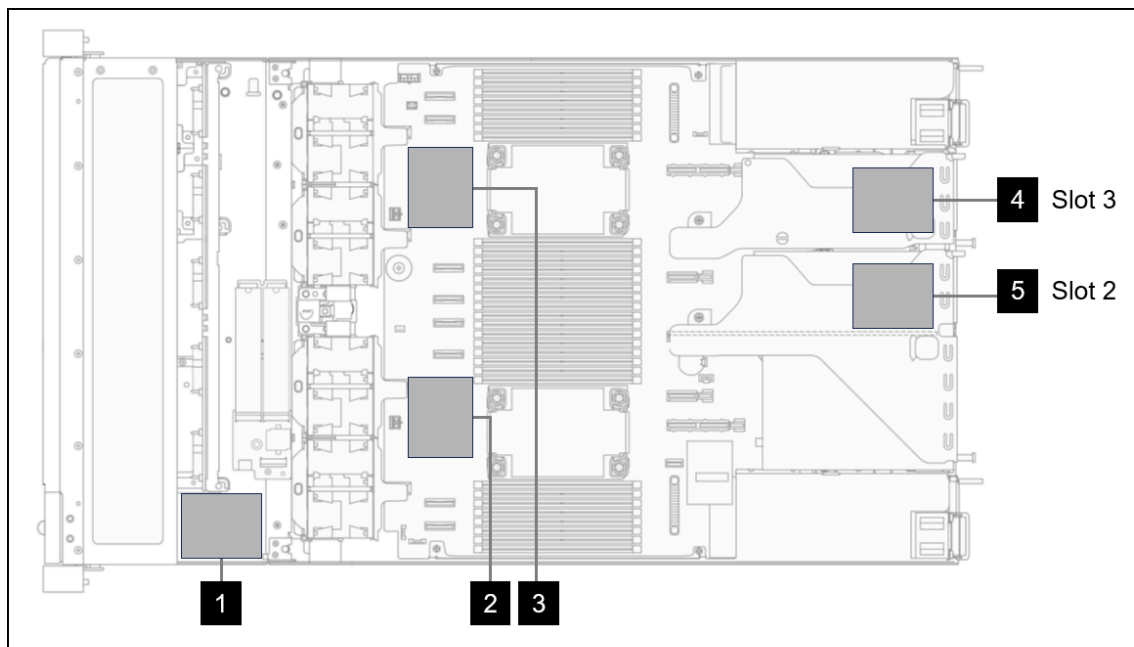


Figure 15. Location of the supercaps in the SR630 V4

**Position 5 only for field upgrades:** The use of Slot 2 for the supercap location (Position 5 in the above figure) is only supported in field upgrades; not supported in CTO orders.

Table 34. Supercap support

Drive bays	Processor cooling	Slot configuration	Max super caps	Possible locations of supercaps (see figure above)
Servers with air cooled, closed-loop liquid cooling, open-loop CPU cooling				
2.5-inch	Standard heatsink	Slot 2: Low profile Slot 3: Low profile	3	1. Front of server behind operator panel (1) 2. Mounted on air baffle (2) 3. Mounted on air baffle (3) 4. Installed in LP slot 3 attached to Riser 2 (4) 5. Installed in LP slot 2 attached to Riser 1 (5)*
2.5-inch	Standard heatsink	Slot 3: Full Height	3	1. Front of server behind operator panel (1) 2. Mounted on air baffle (2) 3. Mounted on air baffle (3) 4. Installed in FH slot 3 attached to Riser 2 (4)
2.5-inch	Performance heatsink	Slot 2: Low profile Slot 3: Low profile	3	1. Front of server behind operator panel (1) 2. Installed in LP slot 3 attached to Riser 2 (4) 3. Installed in LP slot 2 attached to Riser 1 (5)*
2.5-inch	Performance heatsink	Slot 3: Full Height	2	1. Front of server behind operator panel (1) 2. Installed in FH slot 3 attached to Riser 2 (4)
2.5-inch	Closed-loop liquid	Slot 2: Low profile Slot 3: Low profile	2	1. Installed in LP slot 3 attached to Riser 2 (4) 2. Installed in LP slot 2 attached to Riser 1 (5)*
2.5-inch	Closed-loop liquid	Slot 3: Full Height	1	1. Installed in FH slot 3 attached to Riser 2 (4)
2.5-inch	Open-loop liquid	Slot 3: Low profile	2	1. Front of server behind operator panel (1) 2. Installed in LP slot 3 attached to Riser 2 (4)

Drive bays	Processor cooling	Slot configuration	Max super caps	Possible locations of supercaps (see figure above)
E3.S	Standard heatsink	Slot 2: Low profile Slot 3: Low profile	3	1. Mounted on air baffle (2) 2. Mounted on air baffle (3) 3. Installed in LP slot 3 attached to Riser 2 (4) 4. Installed in LP slot 2 attached to Riser 1 (5)*
E3.S	Standard heatsink	Slot 3: Full Height	3	1. Mounted on air baffle (2) 2. Mounted on air baffle (3) 3. Installed in FH slot 3 attached to Riser 2 (4)
E3.S	Performance heatsink	Slot 2: Low profile Slot 3: Low profile	2	1. Installed in LP slot 3 attached to Riser 2 (4) 2. Installed in LP slot 2 attached to Riser 1 (5)*
E3.S	Performance heatsink	Slot 3: Full Height	1	1. Installed in LP slot 2 attached to Riser 1 (5)*
E3.S	Closed-loop liquid	Slot 2: Low profile Slot 3: Low profile	2	1. Installed in LP slot 3 attached to Riser 2 (4) 2. Installed in LP slot 2 attached to Riser 1 (5)*
E3.S	Closed-loop liquid	Slot 3: Full Height	1	1. Installed in FH slot 2 attached to Riser 1 (5)*
E3.S	Open-loop liquid	Slot 3: Low profile	1	1. Installed in LP slot 3 attached to Riser 2 (4)
Servers with open-loop CPU+Memory liquid cooling (machine type 7DK1 only)				
2.5-inch	Open loop CPU+Memory	Slot 3: Low profile	1	1. Front of server behind operator panel (1)
E3.S	Open loop CPU+Memory	Slot 3: Low profile	None	No support

\* Position 5 (slot 2) not supported in CTO orders; only supported in field upgrades

When adding a RAID adapter with supercap as a field upgrade, the additional components listed in the following table may be required depending on the [location of the supercap](#):

- When installing the supercap in a PCIe slot, order the low profile or full height kit depending on the slot form factor
- When installing the supercap in [location 1](#), both a supercap holder and cable may be needed:
  - If the server doesn't already have a supercap holder installed, you will need to order 4M17A61304
  - If the RAID adapter is in slot 2 or slot 3, order the supercap cable kit 4XH7B08947
  - If the RAID adapter is installed in slot 1, the adapter includes the necessary cable so you do not need to order the cable kit

Table 35. Field upgrades for RAID adapters with supercaps

Part number	Description	Supercap Location	Maximum supported
Supercap holder and cable for Location 1			
4M17A61304	ThinkSystem V3 1U Supercap Holder Kit <ul style="list-style-type: none"> <li>• Front supercap holder, SBB7A43318 (feature BK70)</li> </ul>	1	1
4XH7B08947	ThinkSystem SR630 V4 1m Supercap Cable Kit <ul style="list-style-type: none"> <li>• 1m supercap cable for RAID 940 adapter, SBB7A93032 (feature C4UP)</li> <li>• 1m supercap cable for RAID 9350 adapter, SBB7A93033 (feature C4UQ)</li> </ul> (only needed for RAID adapters installed in slot 2 or slot 3; not needed if the RAID adapter is in slot 1)	1	1
PCIe slot holders for supercaps			
4XF7A96848	ThinkSystem SR630 V4 Supercap Holder Kit for Low Profile Slot	4 or 5 (LP slot)	2

Part number	Description	Supercap Location	Maximum supported
4XF7B04324	ThinkSystem SR630 V4 Supercap Holder Kit for Full Height Slot	4 (FH slot, Riser 3)	1

## M.2 drives

The SR630 V4 supports one or two M.2 form-factor SATA or NVMe drives for use as an operating system boot solution or as additional storage.

M.2 drives can be installed in one of the following locations:

- Internal to the server (non-hot-swap) in a location between the front drive bays and fans, as shown in the [Internal view](#) of the server
- Rear-mounted hot-swap M.2 drives with integrated RAID
- Front-mounted hot-swap M.2 drives with integrated RAID

In this section:

- [M.2 ordering information](#)
- [VROC RAID support for the B340i-2i and B350-2i adapter](#)
- [M.2 adapter features](#)
- [M.2 field upgrades for internal M.2](#)
- [M.2 field upgrades for hot-swap M.2](#)

**Hot-swap tip:** The bare M.2 drives (as listed in the [Internal drive options](#) section) are non-hot-swap drives. However, when the installed in the assembly for front-mounted or rear-mounted M.2, the drives are hot-swap enabled.

The following figure shows the SR630 V4 with front and rear hot-swap M.2 drive bays.

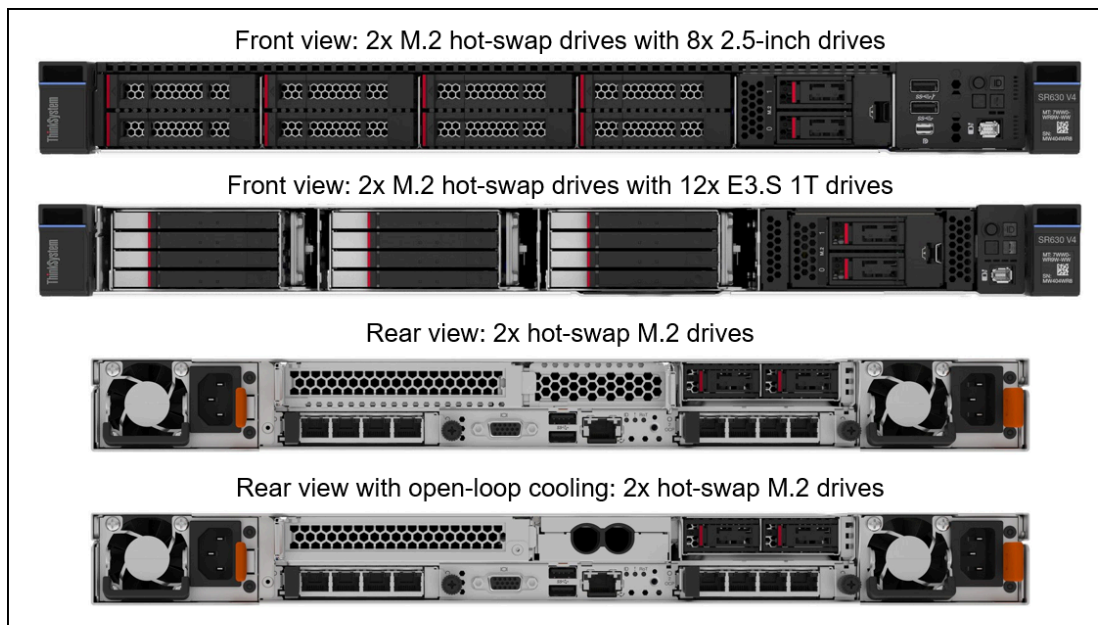


Figure 16. Hot-swap M.2 drive bays

The following figure shows the rear hot-swap M.2 drive bays.

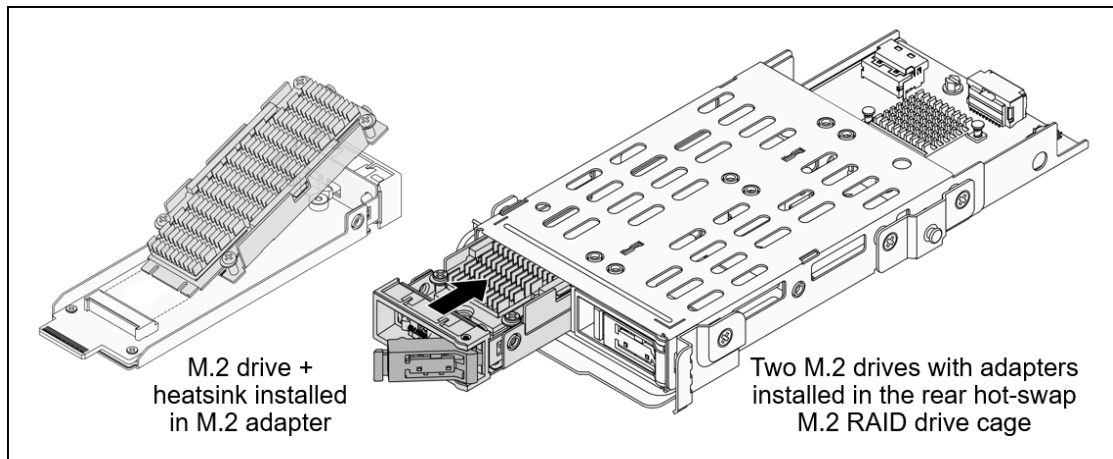


Figure 17. Rear hot-swap M.2 drive bays

### M.2 ordering information

The supported M.2 module is listed in the following table. For field upgrades see the [M.2 field upgrades](#) section below.

Table 36. M.2 adapters

Part number	Feature code	Description	Top Choice Express	SATA drives	NVMe drives	RAID	Max Qty
Internal M.2 (non-hot-swap)							
4Y37B09898	CC7G	ThinkSystem M.2 RAID B550i-2i SATA/NVMe Enablement Kit	TCE	No	Yes (x1 lanes per drive)	Integrated (Broadcom)	1
4Y37A93746	C26V	ThinkSystem M.2 RAID B545i-2i SATA/NVMe Adapter	TCE ⓘ	Yes	Yes (x1 lane per drive)	Integrated (Broadcom)	1
4Y37B09897	CC7H	ThinkSystem M.2 B350i-2i NVMe Enablement Kit	TCE	No	Yes (x2 lanes per drive)	VROC	1
4Y37A91802	C0JK	ThinkSystem M.2 B340i-2i NVMe Enablement Adapter	Not TCE	No	Yes (x2 lanes per drive)	VROC	1
Rear hot-swap M.2							
4XH7B11658	CCCZ	ThinkSystem SR630 V4 Rear M.2 RAID B550p-2HS SATA/NVMe Enablement Kit <ul style="list-style-type: none"> <li>M.2 rear drive cage</li> <li>M.2 2-drive hot-swap backplane</li> <li>Signal and power cables</li> </ul>	TCE	No	Yes (x1 lane per drive)	Integrated (Broadcom)	1

Part number	Feature code	Description	Top Choice Express	SATA drives	NVMe drives	RAID	Max Qty
4XH7A96836	C0JJ	ThinkSystem SR630 V4 M.2 RAID B540p 2HS SATA/NVMe Kit <ul style="list-style-type: none"> <li>M.2 rear drive cage</li> <li>M.2 2-drive hot-swap backplane</li> <li>2x empty M.2 hot-swap adapter trays</li> <li>Signal and power cables</li> </ul>	TCE	Yes	Yes (x1 lane per drive)	Integrated (Broadcom)	1
Front hot-swap M.2							
4XH7B11659	CD0S	ThinkSystem SR630 V4 Front M.2 RAID B550d-2HS SATA/NVMe Enablement Kit <ul style="list-style-type: none"> <li>M.2 front drive cage</li> <li>M.2 2-drive hot-swap backplane</li> <li>M.2 control board</li> <li>Signal and power cables</li> </ul>	TCE	No	Yes (x1 lane per drive)	Integrated (Broadcom)	1
4XH7B04175	C217	ThinkSystem SR630 V4 M.2 RAID B540d-2HS SATA/NVMe Enablement Kit <ul style="list-style-type: none"> <li>M.2 front drive cage</li> <li>M.2 2-drive hot-swap backplane</li> <li>M.2 control board</li> <li>2x empty M.2 hot-swap adapter trays</li> <li>Signal and power cables</li> </ul>	Not TCE	Yes	Yes (x1 lane per drive)	Integrated (Broadcom)	1

Configuration notes:

- M.2 is not supported with all storage configurations - see [Storage configurations](#) for details.
- For CTO orders, all other necessary components, except for the M.2 drives themselves, will be automatically included in the order. For drives, see the [Internal drive options](#) section.
- For field upgrades of the internal M.2, an additional cable is needed as described in the [M.2 field upgrades for internal M.2](#) section below.
- For field upgrades of the B540 rear or front hot-swap M.2, one additional kit is needed for each M.2 drive you plan to install, as described in the [M.2 field upgrades for hot-swap M.2](#) section below. B550 M.2 adapters do not require these drive kits.

**VROC RAID support for the B340i-2i and B350-2i adapter**

ThinkSystem M.2 B340i-2i NVMe Enablement Adapter (4Y37A91802) and ThinkSystem M.2 B350i-2i NVMe Enablement Kit (4Y37B09897) optionally supports RAID with the use of Intel VROC. For CTO orders, ordering information is listed in the following table.

Table 37. CTO feature codes to select VROC RAID for B340i-2i and B350-2i adapters

Part number	Feature code	Description	Top Choice Express	Max Qty	RAID support
VROC NVMe RAID for B340i-2i and B350-2i adapters					

Part number	Feature code	Description	Top Choice Express	Max Qty	RAID support
4L47A92670*	BZ4X	Intel VROC RAID1 Only for M.2	TCE	1	RAID-1
4L47A83669*	BS7M	Intel VROC (VMD NVMe RAID) Standard for M.2	TCE	1	RAID-0,1

\* The part numbers enable VROC for all installed drives, not just M.2

### M.2 adapter features

The ThinkSystem M.2 RAID B550i-2i SATA/NVMe Enablement Kit (4Y37B09898) has the following features:

- Supports one or two NVMe M.2 drives (SATA not supported)
- Drives are not hot-swap
- Support 42mm, 60mm and 80mm drive form factors (2242, 2260 and 2280)
- RAID support via an onboard Broadcom SAS3808N RAID Controller
- With 1 drive, supports JBOD
- With 2 drives, supports 2-drive RAID-0, 2-drive RAID-1, or JBOD (default is RAID-1)
- PCIe 4.0 x2 host interface; PCIe 4.0 x1 connection to each drive
- Management and configuration support via UEFI and OS-based tools
- Supports monitoring and reporting of events and temperature
- Firmware update via Lenovo firmware update tools
- Supports SED drive encryption

The ThinkSystem M.2 RAID B545i-2i SATA/NVMe Adapter (4Y37A93746) has the following features:

- Supports one or two M.2 drives, either SATA or NVMe
- Drives are not hot-swap
- Supports M.2 2242, 2260, 2280 drive form factors (42mm, 60mm, 80mm)
- RAID support via an onboard Broadcom SAS3808N RAID Controller
- With 1 drive, supports JBOD
- With 2 drives, supports 2-drive RAID-0, 2-drive RAID-1, or JBOD (default is RAID-1)
- PCIe 4.0 x2 host interface; PCIe 4.0 x1 connection to each drive
- Management and configuration support via UEFI and OS-based tools
- Supports monitoring and reporting of events and temperature
- Firmware update via Lenovo firmware update tools
- Supports SED drive encryption

The ThinkSystem M.2 B350i-2i NVMe Enablement Kit (4Y37B09897) has the following features:

- Supports one or two NVMe M.2 drives (SATA not supported)
- Drives are not hot-swap
- Support M.2 2280 (80mm) drive form factor only
- No built-in RAID support (optionally supports Intel VROC NVMe RAID)
- PCIe 4.0 x4 host interface; PCIe 4.0 x2 connection to each drive
- Management and configuration support via UEFI and OS-based tools
- Supports monitoring and reporting of events and temperature
- Firmware update via Lenovo firmware update tools
- Supports SED drive encryption

The ThinkSystem M.2 B340i-2i NVMe Enablement Adapter (4Y37A91802) has the following features:

- Supports one or two NVMe M.2 drives (SATA not supported)
- Drives are not hot-swap
- Support M.2 2280 (80mm) drive form factor only
- No built-in RAID support (optionally supports Intel VROC NVMe RAID)
- PCIe 4.0 x4 host interface; PCIe 4.0 x2 connection to each drive
- Management and configuration support via UEFI and OS-based tools
- Supports monitoring and reporting of events and temperature
- Firmware update via Lenovo firmware update tools
- Supports SED drive encryption

The B550p-2HS (4XH7B11658, feature CCCZ) and B550d-2HS (4XH7B11659, feature CD0S) both have the following features:

- Supports one or two NVMe M.2 drives (SATA not supported)
- Each drive is installed in a hot-swap carrier
- Support M.2 2280 (80mm) drive form factor only
- RAID support via an onboard Broadcom SAS3808N RAID Controller
- With 1 drive, supports JBOD
- With 2 drives, supports 2-drive RAID-0, 2-drive RAID-1, or JBOD
- PCIe 4.0 x2 host interface; PCIe 4.0 x1 connection to each drive
- Management and configuration support via UEFI and OS-based tools
- Supports monitoring and reporting of events and temperature
- Firmware update via Lenovo firmware update tools
- Supports SED drive encryption

The B540p-2HS (4XH7A96836) and B540d-2HS (4XH7B04175) have the following features:

- Supports one or two M.2 drives, either SATA or NVMe
- Each drive is installed in a hot-swap carrier
- Support M.2 2280 (80mm) drive form factor only
- RAID support via an onboard Broadcom SAS3808N RAID Controller
- With 1 drive, supports JBOD
- With 2 drives, supports 2-drive RAID-0, 2-drive RAID-1, or JBOD (default is RAID-1)
- PCIe 4.0 x2 host interface; PCIe 4.0 x1 connection to each drive
- Management and configuration support via UEFI and OS-based tools
- Supports monitoring and reporting of events and temperature
- Firmware update via Lenovo firmware update tools
- Supports SED drive encryption

### M.2 field upgrades for internal M.2

For field upgrades to add one of the supported internal M.2 adapters, the SR630 V4 also requires an additional M.2 cable kit. Ordering information is listed in the following table.

Table 38. M.2 Cable Kits for field upgrades to add an internal M.2 adapter

Part number	Description	Qty
4X97A96838	ThinkSystem SR630 V4 Internal M.2 Cable kit	1

The B350i and B550i only support specific M.2 drives, as listed in the [Internal drive options](#) section.

### M.2 field upgrades for hot-swap M.2

This section applies to both the front hot-swap M.2 and rear hot-swap M.2.

Hot-swap M.2 drive bays require hot-swap M.2 drives. For configure-to-order builds, the hot-swap drive assembly is automatically included in the order for all M.2 drives.

For field upgrades, implementation is as follows:

- For B550 hot-swap M.2 adapters, only specific hot-swap M.2 drives are supported as listed in the [Internal drive options](#) section.
- For B540 hot-swap M.2 adapters, non-hot-swap drives need to be ordered along with a separate kit for each drive, ThinkSystem V4 Hot Swap M.2 SATA/NVMe Drive Assembly Kit (4XH7A96837). Ordering information is listed in the following table

Table 39. M.2 kit for field upgrades to add hot-swap M.2 drives (for B540 only; not for B550)

Part number	Description	Qty
4XH7A96837	ThinkSystem V4 Hot Swap M.2 SATA/NVMe Drive Assembly Kit (see below) <ul style="list-style-type: none"> <li>• M.2 adapter</li> <li>• M.2 drive tray</li> <li>• M.2 drive heatsink</li> </ul>	1 per drive

The following figure shows the components of the ThinkSystem V4 Hot Swap M.2 SATA/NVMe Drive Assembly Kit (4XH7A96837), used for B540 hot-swap M.2 (for both front and rear drive bays; not for the B550 adapter and not for internal M.2). The M.2 drive needs to be ordered separately.

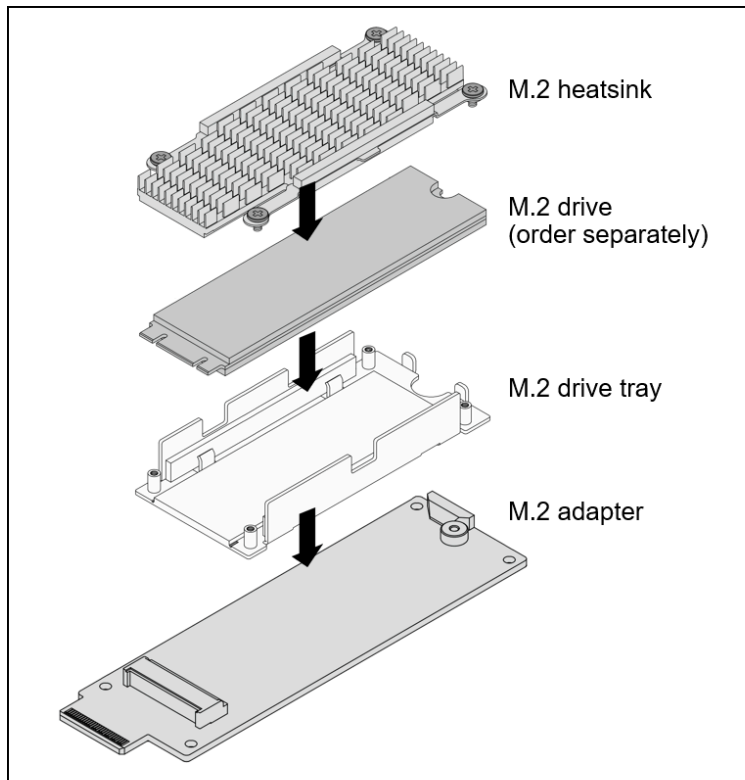


Figure 18. Components of the ThinkSystem V4 Hot Swap M.2 SATA/NVMe Drive Assembly Kit

### SED encryption key management with SKLM

The server supports self-encrypting drives (SEDs) as listed in the [Internal drive options](#) section. To effectively manage a large deployment of these drives in Lenovo servers, IBM Security Key Lifecycle Manager (SKLM) offers a centralized key management solution.

The IBM Security Key Lifecycle Manager software is available from Lenovo using the ordering information listed in the following table.

Table 40. IBM Security Key Lifecycle Manager licenses

Part number	Feature	Description
SKLM Basic Edition		
7S0A007FWW	S874	IBM Security Key Lifecycle Manager Basic Edition Install License + SW Subscription & Support 12 Months
7S0A008VWW	SDJR	IBM Security Key Lifecycle Manager Basic Edition Install License + SW Subscription & 3 Years Of Support
7S0A008WWW	SDJS	IBM Security Key Lifecycle Manager Basic Edition Install License + SW Subscription & 4 Years Of Support
7S0A008XWW	SDJT	IBM Security Key Lifecycle Manager Basic Edition Install License + SW Subscription & 5 Years Of Support
SKLM For Raw Decimal Terabyte Storage		
7S0A007HWW	S876	IBM Security Key Lifecycle Manager For Raw Decimal Terabyte Storage Resource Value Unit License + SW Subscription & Support 12 Months
7S0A008YWW	SDJU	IBM Security Key Lifecycle Manager For Raw Decimal Terabyte Storage Resource Value Unit License + SW Subscription & 3 Years Of Support

Part number	Feature	Description
7S0A008ZWW	SDJV	IBM Security Key Lifecycle Manager For Raw Decimal Terabyte Storage Resource Value Unit License + SW Subscription & 4 Years Of Support
7S0A0090WW	SDJW	IBM Security Key Lifecycle Manager For Raw Decimal Terabyte Storage Resource Value Unit License + SW Subscription & 5 Years Of Support
SKLM For Raw Decimal Petabyte Storage		
7S0A007KWW	S878	IBM Security Key Lifecycle Manager For Raw Decimal Petabyte Storage Resource Value Unit License + SW Subscription & Support 12 Months
7S0A0091WW	SDJX	IBM Security Key Lifecycle Manager For Raw Decimal Petabyte Storage Resource Value Unit License + SW Subscription & 3 Years Of Support
7S0A0092WW	SDJY	IBM Security Key Lifecycle Manager For Raw Decimal Petabyte Storage Resource Value Unit License + SW Subscription & 4 Years Of Support
7S0A0093WW	SDJZ	IBM Security Key Lifecycle Manager For Raw Decimal Petabyte Storage Resource Value Unit License + SW Subscription & 5 Years Of Support
SKLM For Usable Decimal Terabyte Storage		
7S0A007MWW	S87A	IBM Security Key Lifecycle Manager For Usable Decimal Terabyte Storage Resource Value Unit License + SW Subscription & Support 12 Months
7S0A0094WW	SDK0	IBM Security Key Lifecycle Manager For Usable Decimal Terabyte Storage Resource Value Unit License + SW Subscription & 3 Years In Support
7S0A0095WW	SDK1	IBM Security Key Lifecycle Manager For Usable Decimal Terabyte Storage Resource Value Unit License + SW Subscription & 4 Years In Support
7S0A0096WW	SDK2	IBM Security Key Lifecycle Manager For Usable Decimal Terabyte Storage Resource Value Unit License + SW Subscription & 5 Years In Support
SKLM For Usable Decimal Petabyte Storage		
7S0A007PWW	S87C	IBM Security Key Lifecycle Manager For Usable Decimal Petabyte Storage Resource Value Unit License + SW Subscription & Support 12 Months
7S0A0097WW	SDK3	IBM Security Key Lifecycle Manager For Usable Decimal Petabyte Storage Resource Value Unit License + SW Subscription & 3 Years Of Support
7S0A0098WW	SDK4	IBM Security Key Lifecycle Manager For Usable Decimal Petabyte Storage Resource Value Unit License + SW Subscription & 4 Years Of Support
7S0A0099WW	SDK5	IBM Security Key Lifecycle Manager For Usable Decimal Petabyte Storage Resource Value Unit License + SW Subscription & 5 Years Of Support

## Encryption Enablement

For CTO orders, the configurator allows you to specify that you want to create an "encryption-ready" server, and to ensure that only components that support encryption are selectable in the configurator. This is done in DCSC and x-config configurator tools by selecting the feature code listed in the following table.

Table 41. Encryption Enablement

Part number	Feature code	Description	Top Choice Express
CTO only	CES1*	Drive Encryption Enablement (not supported with vSAN)	TCE

\* In DCSC, this feature is in **Storage > Internal Storage** under the heading "Encryption Enablement"

**Tip:** This feature will not be selectable until an SED-capable drive is selected.

By selecting this feature code, the following requirements will be enabled in the configurator:

- SED drives will be required
- XCC3 Premier will be required

- VROC NVMe RAID cannot be selected
- 440-8i and 440-16i HBAs cannot be selected

Configuration notes:

- Do not use this feature code for VMware vSAN or Nutanix servers, since these virtualization offerings do not support HW RAID adapter-based encryption
- Selecting this feature code does not enable encryption at the factory
- If you don't select this feature code, you will still be able to enable encryption in your server, however you will need to ensure that you have suitable storage controllers and drives installed in the server

## Controllers for internal storage

The SR630 V4 offers a variety of controller options for internal drives:

- For 2.5-inch drives:
  - RAID adapters and HBAs for SAS/SATA drives (PCIe slot-based)
  - RAID adapters and HBAs for SAS/SATA drives (cabled in a dedicated space)
  - Onboard NVMe ports with RAID support using Intel VROC NVMe RAID
  - Tri-Mode support using RAID 940 adapters for NVMe drives, with RAID provided by the RAID adapter
- For E3.S EDSFF drives:
  - Onboard NVMe ports with RAID support using Intel VROC NVMe RAID
- For M.2 drives (see [M.2 drives](#) section)
  - SATA controller integrated on the M.2 adapters
  - NVMe controller integrated on the M.2 adapters (Intel VROC for RAID)

As well as supporting RAID adapters and HBAs that install in a PCIe slot, the SR630 V4 with 2.5-inch front drive bays supports a custom form factor (CFF) adapter that is mounted in the server and cabled to one of the onboard NVMe ports.

The following table lists the adapters used for the internal storage of the server. For VROC ordering information, see the [Intel VROC](#) section.

The table includes a Top Choice Express column: for CTO orders, select a TCE component for faster delivery. See the [Top Choice](#) section for more information.

**No Onboard SATA support:** The processors in the SR630 V4 do not offer onboard SATA support. For SATA drives, you will need either a RAID adapter or an HBA.

Table 42. Storage controller support for internal drives

Part number	Feature code	Description	Top Choice Express	RAID levels	Max Qty	Slots	Supercap
Onboard NVMe - PCIe 5.0 - RAID using <a href="#">Intel VROC</a>							
CTO only	BC4V	Non RAID NVMe	TCE	Optional; See <a href="#">Intel VROC</a>	1	None	No
SAS HBA - PCIe 4.0							
4Y37A78602	BM50	ThinkSystem 440-16i SAS/SATA PCIe Gen4 12Gb HBA	Not TCE	None	1	1,2,3	No
4Y37A09725	B8P1	ThinkSystem 440-16i SAS/SATA PCIe Gen4 12Gb Internal HBA	TCE ⓘ	None	1	CFF	No
RAID Adapter - PCIe 4.0							
4Y37A93012	C0TU	ThinkSystem RAID 545-8i PCIe Gen4 12Gb Adapter	Not TCE	0, 1, 10	1	1,2,3	No
4Y37A09728	B8NY	ThinkSystem RAID 940-8i 4GB Flash PCIe Gen4 12Gb Adapter	TCE	0, 1, 10, 5, 50, 6, 60	1	1,2,3	Included
4Y37A78600	BM35	ThinkSystem RAID 940-16i 4GB Flash PCIe Gen4 12Gb Adapter	Not TCE	0, 1, 10, 5, 50, 6, 60	1	1,2,3	Included
4Y37A09730	B8NZ	ThinkSystem RAID 940-16i 8GB Flash PCIe Gen4 12Gb Adapter	Not TCE	0, 1, 10, 5, 50, 6, 60	1	1,2,3	Included

Part number	Feature code	Description	Top Choice Express	RAID levels	Max Qty	Slots	Supercap
4Y37A09735	B8P0	ThinkSystem RAID 940-16i 8GB Flash PCIe Gen4 12Gb Internal Adapter	TCE	0, 1, 10, 5, 50, 6, 60	1	CFF	Included
NVMe (Tri-Mode support)							
4Y37A09728†	BGM1	ThinkSystem RAID 940-8i 4GB Flash PCIe Gen4 12Gb Adapter for U.3	Not TCE	0, 1, 10, 5, 50, 6, 60	1	1,2,3	Included
4Y37A78600	BM36	ThinkSystem RAID 940-16i 4GB Flash PCIe Gen4 12Gb Adapter for U.3	Not TCE	0, 1, 10, 5, 50, 6, 60	1	1,2,3	Included
4Y37A09730†	BDY4	ThinkSystem RAID 940-16i 8GB Flash PCIe Gen4 12Gb Adapter for U.3	Not TCE	0, 1, 10, 5, 50, 6, 60	1	1,2,3	Included
4Y37A09735†	BGM2	ThinkSystem RAID 940-16i 8GB Flash PCIe Gen4 12Gb Internal Adapter for U.3	Not TCE	0, 1, 10, 5, 50, 6, 60	1	CFF	Included

† with Tri-Mode enabled, the adapter supports PCIe 4.0 x1 connectivity to NVMe drives with U.3 interface  
Configuration notes:

- **Supercap support limits the number of RAID adapters installable:** The table lists whether the adapter includes a power module (supercap) to power the flash memory. The server supports between 1 and 3 supercaps depending on the server configuration as described in the [RAID flash power module \(supercap\) support](#) section. The number of supercaps supported also determines the maximum number of RAID adapters with flash that can be installed in the server.
- **Field upgrades:** If you are adding a RAID adapter with supercap to the server as a field upgrade, you may need a supercap holder as described in the [RAID flash power module \(supercap\) support](#) section.
- **Tri-Mode support and U.3 drives:** The use of a RAID adapter with Tri-Mode enabled requires U.3 drives (U.2 drives are not supported). Also, in the DCSC configurator, 7500 PRO and 7500 MAX U.3 drives can only be selected when a Tri-Mode RAID adapter is also selected.

The onboard NVMe support has the following features:

- Support integrated into the Intel processor
- Each drive has PCIe 5.0 x4 host interface
- Supports JBOD
- Supports RAID using Intel VROC

For specifications about the RAID adapters and HBAs supported by the SR630 V4, see the ThinkSystem RAID Adapter and HBA Comparison, available from:

<https://lenovopress.com/lp1288-lenovo-thinksystem-raid-adapter-and-hba-reference#sr630-v4-support=SR630%2520V4>

For details about these adapters, see the relevant product guide:

- SAS HBAs: <https://lenovopress.com/servers/options/hba>
- RAID adapters: <https://lenovopress.com/servers/options/raid>

### Tri-Mode support - RAID 940 adapters

The RAID 940 adapters support NVMe through a feature named Tri-Mode support (or Trimode support). This feature enables the use of NVMe U.3 drives at the same time as SAS and SATA drives. Tri-Mode requires an AnyBay backplane. Cabling of the controller to the backplanes is the same as with SAS/SATA drives, and the NVMe drives are connected via a PCIe x1 link to the controller.

NVMe drives connected using Tri-Mode support provide better performance than SAS or SATA drives: A SATA SSD has a data rate of 6Gbps, a SAS SSD has a data rate of 12Gbps, whereas an NVMe U.3 Gen 4 SSD with a PCIe x1 link will have a data rate of 16Gbps. NVMe drives typically also have lower latency and higher IOPS compared to SAS and SATA drives. Tri-Mode is supported with U.3 NVMe drives and requires an AnyBay backplane.

**Tri-Mode requires U.3 drives:** Only NVMe drives with a U.3 interface are supported. U.2 drives are not supported. See the [Internal drive options](#) section for the U.3 drives supported by the server.

### Intel VROC onboard RAID

Intel VROC (Virtual RAID on CPU) is a feature of the Intel processor that enables Integrated RAID support.

On the SR630 V4, Intel VROC provides RAID functions for the onboard NVMe controller (Intel VROC NVMe RAID).

VROC NVMe RAID offers RAID support for any NVMe drives directly connected to the ports on the server's system board or via adapters such as NVMe retimers or NVMe switch adapters. On the SR630 V4, RAID levels implemented are based on the VROC feature selected as indicated in the following table. RAID 1 is limited to 2 drives per array, and RAID 10 is limited to 4 drives per array. Hot-spare functionality is also supported.

**Performance tip:** For best performance with VROC NVMe RAID, the drives in an array should all be connected to the same processor. Spanning processors is possible however performance will be unpredictable and should be evaluated based on your workload.

The SR630 V4 supports the VROC NVMe RAID offerings listed in the following table.

Table 43. Intel VROC NVMe RAID ordering information and feature support

Part number	Feature code	Description	Top Choice Express	Intel NVMe SSDs	Non-Intel NVMe SSDs	RAID 0	RAID 1	RAID 10	RAID 5
4L47A92670	BZ4W	Intel VROC RAID1 Only	TCE	Yes	Yes	No	Yes	No	No
4L47A83669	BR9B	Intel VROC (VMD NVMe RAID) Standard	TCE	Yes	Yes	Yes	Yes	Yes	No
4L47A39164	B96G	Intel VROC (VMD NVMe RAID) Premium	TCE	Yes	Yes	Yes	Yes	Yes	Yes

Configuration notes:

- If a feature code is ordered in a CTO build, the VROC functionality is enabled in the factory. For field upgrades, order a part number and it will be fulfilled as a Feature on Demand (FoD) license which can then be activated via the XCC management processor user interface.
- SED functionality is not supported with VROC NVMe RAID

**Virtualization support:** Virtualization support for Intel VROC is as follows:

- **VROC (VMD) NVMe RAID:** VROC (VMD) NVMe RAID is supported by ESXi, KVM, Xen, and Hyper-V. ESXi support is limited to RAID 1 only; other RAID levels are not supported. Windows and Linux OSes support VROC RAID NVMe, both for host boot functions and for guest OS function, and RAID-0, 1, 5, and 10 are supported. On ESXi, VROC is supported with both boot and data drives.

**VROC restriction with CXL memory:** VROC NVMe RAID is currently not supported with the following CXL memory configurations:

- Configurations with a mix of CXL memory (E3.S 2T) bays and E3.S 1T drive bays
- Configurations with CXL memory (E3.S 2T) bays and M.2 drives

CXL memory configurations without E3.S 1T drives or without M.2 drives are not affected and are supported. This restriction is planned to be removed with a firmware update planned for 3Q/2025.

## Internal drive options

**VMware vSAN and Microsoft S2D configurations:** Vendor Agnostic (VA) drives are based on drives from multiple vendors, and not all vendor variants are VMware vSAN or Microsoft S2D certified. Additionally, ISVs require a single drive vendor per host and cluster to ensure optimal performance; a requirement that VA drives may not consistently meet. To ensure certification compliance, hardware uniformity, and alignment with VMware and Microsoft best practices, use ThinkAgile VX or ThinkAgile FX for all vSAN configurations and ThinkAgile MX for all S2D configurations, instead of general purpose ThinkSystem servers.

The following tables list the drive options for internal storage of the server.

2.5-inch hot-swap drives:

- [2.5-inch hot-swap 12 Gb SAS HDDs](#)
- [2.5-inch hot-swap 24 Gb SAS SSDs](#)
- [2.5-inch hot-swap 6 Gb SATA SSDs](#)
- [2.5-inch hot-swap PCIe 5.0 NVMe SSDs](#)
- [2.5-inch hot-swap PCIe 4.0 NVMe SSDs](#)

EDSFF hot-swap drives:

- [E3.S 1T EDSFF hot-swap PCIe 5.0 NVMe SSDs](#)

M.2 drives:

- [M.2 SATA non-hot-swap drives \(not for B350/B550 M.2 adapters\)](#)
- [M.2 PCIe 4.0 NVMe hot-swap drives \(only for B550d/B550p M.2 adapters\)](#)
- [M.2 PCIe 4.0 NVMe non-hot-swap drives \(only for B350i/B550i M.2 adapters\)](#)
- [M.2 PCIe 4.0 NVMe non-hot-swap drives \(not for B350/B550 M.2 adapters\)](#)

**M.2 drive support:** The use of M.2 drives requires an additional adapter as described in the [M.2 drives](#) subsection.

**SED support:** The tables include a column to indicate which drives support SED encryption. The encryption functionality can be disabled if needed. Note: Not all SED-enabled drives have "SED" in the description.

Table 44. 2.5-inch hot-swap 12 Gb SAS HDDs

Part number	Feature code	Description	Top Choice Express	SED support	Max Qty
<b>2.5-inch hot-swap HDDs - 12 Gb SAS 10K</b>					
7XB7A00025	AULZ	ThinkSystem 2.5" 600GB 10K SAS 12Gb Hot Swap 512n HDD	Not TCE	No	12
4XB7B01770	C91U	ThinkSystem SR630 V4 2.5" 1.2TB 10K SAS 12Gb Hot Swap 512n HDD	TCE	No	12
4XB7B01771	C91T	ThinkSystem SR630 V4 2.5" 2.4TB 10K SAS 12Gb Hot Swap 512e HDD	TCE	No	12

Table 45. 2.5-inch hot-swap 24 Gb SAS SSDs

Part number	Feature code	Description	Top Choice Express	SED support	Max Qty
<b>2.5-inch hot-swap SSDs - 24 Gb SAS - Mixed Use (3-5 DWPD)</b>					
4XB7B07612	CABL	ThinkSystem 2.5" VA 800GB Mixed Use SAS 24Gb HS SSD	Not TCE	Support	12
4XB7B07613	CABR	ThinkSystem 2.5" VA 1.6TB Mixed Use SAS 24Gb HS SSD	TCE ⓘ	Support	12
4XB7B07614	CABQ	ThinkSystem 2.5" VA 3.2TB Mixed Use SAS 24Gb HS SSD	TCE	Support	12
4XB7B07615	CABK	ThinkSystem 2.5" VA 6.4TB Mixed Use SAS 24Gb HS SSD	TCE	Support	12
<b>2.5-inch hot-swap SSDs - 24 Gb SAS - Read Intensive (&lt;3 DWPD)</b>					
4XB7B07600	CABS	ThinkSystem 2.5" VA 960GB Read Intensive SAS 24Gb HS SSD	TCE	Support	12
4XB7B07601	CABV	ThinkSystem 2.5" VA 1.92TB Read Intensive SAS 24Gb HS SSD	Not TCE	Support	12
4XB7B07602	CABT	ThinkSystem 2.5" VA 3.84TB Read Intensive SAS 24Gb HS SSD	TCE	Support	12
4XB7B07603	CABY	ThinkSystem 2.5" VA 7.68TB Read Intensive SAS 24Gb HS SSD	TCE	Support	12
4XB7B07604	CABX	ThinkSystem 2.5" VA 15.36TB Read Intensive SAS 24Gb HS SSD	Not TCE	Support	12
4XB7B07605	CABW	ThinkSystem 2.5" VA 30.72TB Read Intensive SAS 24Gb HS SSD	Not TCE	Support	12

Table 46. 2.5-inch hot-swap 6 Gb SATA SSDs

Part number	Feature code	Description	Top Choice Express	SED support	Max Qty
<b>2.5-inch hot-swap SSDs - 6 Gb SATA - Mixed Use (3-5 DWPD)</b>					
4XB7B09972	CBV9	ThinkSystem 2.5" VA 480GB Mixed Use SATA 6Gb HS SSD SED	TCE ⓘ	Support	12
4XB7B09973	CBV8	ThinkSystem 2.5" VA 960GB Mixed Use SATA 6Gb HS SSD SED	TCE ⓘ	Support	12
4XB7B09974	CBV7	ThinkSystem 2.5" VA 1.92TB Mixed Use SATA 6Gb HS SSD SED	Not TCE	Support	12
4XB7B09975	CBV6	ThinkSystem 2.5" VA 3.84TB Mixed Use SATA 6Gb HS SSD SED	Not TCE	Support	12
4XB7A93091	C1X3	ThinkSystem 2.5" PM897a 480GB Mixed Use SATA 6Gb HS SSD	Not TCE	Support	12
4XB7A93092	C1X4	ThinkSystem 2.5" PM897a 960GB Mixed Use SATA 6Gb HS SSD	Not TCE	Support	12
4XB7A93093	C1X5	ThinkSystem 2.5" PM897a 1.92TB Mixed Use SATA 6Gb HS SSD	Not TCE	Support	12
4XB7A93094	C1X6	ThinkSystem 2.5" PM897a 3.84TB Mixed Use SATA 6Gb HS SSD	Not TCE	Support	12
4XB7A90884	BYM2	ThinkSystem 2.5" VA 480GB Mixed Use SATA 6Gb HS SSD v2	TCE	No	12
4XB7A90885	BYM4	ThinkSystem 2.5" VA 960GB Mixed Use SATA 6Gb HS SSD v2	TCE	No	12

Part number	Feature code	Description	Top Choice Express	SED support	Max Qty
4XB7A90886	BYM5	ThinkSystem 2.5" VA 1.92TB Mixed Use SATA 6Gb HS SSD v2	Not TCE	No	12
4XB7A90887	BYM6	ThinkSystem 2.5" VA 3.84TB Mixed Use SATA 6Gb HS SSD v2	TCE	No	12
<b>2.5-inch hot-swap SSDs - 6 Gb SATA - Read Intensive (&lt;3 DWPD)</b>					
4XB7B09967	CBVE	ThinkSystem 2.5" VA 480GB Read Intensive SATA 6Gb HS SSD SED	TCE ⓘ	Support	12
4XB7B09968	CBVD	ThinkSystem 2.5" VA 960GB Read Intensive SATA 6Gb HS SSD SED	TCE ⓘ	Support	12
4XB7B09969	CBVC	ThinkSystem 2.5" VA 1.92TB Read Intensive SATA 6Gb HS SSD SED	TCE ⓘ	Support	12
4XB7B09970	CBVB	ThinkSystem 2.5" VA 3.84TB Read Intensive SATA 6Gb HS SSD SED	TCE ⓘ	Support	12
4XB7B09971	CBVA	ThinkSystem 2.5" VA 7.68TB Read Intensive SATA 6Gb HS SSD SED	TCE ⓘ	Support	12
4XB7A90873	BYLR	ThinkSystem 2.5" VA 480GB Read Intensive SATA 6Gb HS SSD v2	TCE	No	12
4XB7A90874	BYLS	ThinkSystem 2.5" VA 960GB Read Intensive SATA 6Gb HS SSD v2	TCE	No	12
4XB7A90875	BYLT	ThinkSystem 2.5" VA 1.92TB Read Intensive SATA 6Gb HS SSD v2	TCE	No	12
4XB7A90876	BYLU	ThinkSystem 2.5" VA 3.84TB Read Intensive SATA 6Gb HS SSD v2	TCE	No	12
4XB7A90877	BYLV	ThinkSystem 2.5" VA 7.68TB Read Intensive SATA 6Gb HS SSD v2	TCE	No	12

Table 47. 2.5-inch hot-swap PCIe 5.0 NVMe SSDs

Part number	Feature code	Description	Top Choice Express	SED support	Max Qty
<b>2.5-inch SSDs - U.2 PCIe 5.0 NVMe - Mixed Use (3-5 DWPD)</b>					
4XB7A93097	C1WM	ThinkSystem 2.5" U.2 PM9D5a 800GB Mixed Use NVMe PCIe 5.0 x4 HS SSD	Not TCE	Support	12
4XB7A93127	C0ZR	ThinkSystem 2.5" U.2 VA 1.6TB Mixed Use NVMe PCIe 5.0 x4 HS SSD	Not TCE	Support	12
4XB7A93128	C0ZQ	ThinkSystem 2.5" U.2 VA 3.2TB Mixed Use NVMe PCIe 5.0 x4 HS SSD	TCE	Support	12
4XB7A93129	C0ZP	ThinkSystem 2.5" U.2 VA 6.4TB Mixed Use NVMe PCIe 5.0 x4 HS SSD	TCE	Support	12
4XB7A93130	C0ZN	ThinkSystem 2.5" U.2 VA 12.8TB Mixed Use NVMe PCIe 5.0 x4 HS SSD	Not TCE	Support	12
<b>2.5-inch SSDs - U.3 PCIe 5.0 NVMe - Mixed Use (3-5 DWPD)</b>					
4XB7A94637	C4D4	ThinkSystem 2.5" U.3 PM1745 1.6TB Mixed Use NVMe PCIe 5.0 x4 HS SSD	Not TCE	Support	12
<b>2.5-inch SSDs - U.2 PCIe 5.0 NVMe - Read Intensive (&lt;3 DWPD)</b>					
4XB7B10396	CFD6	ThinkSystem 2.5" U.2 SN861 1.92TB Read Intensive NVMe PCIe 5.0 x4 HS SSD	Not TCE	Support	12

Part number	Feature code	Description	Top Choice Express	SED support	Max Qty
4XB7B10397	CFD5	ThinkSystem 2.5" U.2 SN861 3.84TB Read Intensive NVMe PCIe 5.0 x4 HS SSD	Not TCE	Support	12
4XB7B10398	CFD4	ThinkSystem 2.5" U.2 SN861 7.68TB Read Intensive NVMe PCIe 5.0 x4 HS SSD	Not TCE	Support	12
4XB7B10399	CFD3	ThinkSystem 2.5" U.2 SN861 15.36TB Read Intensive NVMe PCIe 5.0 x4 HS SSD	Not TCE	Support	12
4XB7A93066	C0GK	ThinkSystem 2.5" U.2 PM9D3a 960GB Read Intensive NVMe PCIe 5.0 x4 HS SSD	Not TCE	Support	12
4XB7A93122	C0ZV	ThinkSystem 2.5" U.2 VA 1.92TB Read Intensive NVMe PCIe 5.0 x4 HS SSD	Not TCE	Support	12
4XB7A93123	C0ZU	ThinkSystem 2.5" U.2 VA 3.84TB Read Intensive NVMe PCIe 5.0 x4 HS SSD	TCE	Support	12
4XB7A93124	C0ZT	ThinkSystem 2.5" U.2 VA 7.68TB Read Intensive NVMe PCIe 5.0 x4 HS SSD	TCE	Support	12
4XB7A93125	C0ZS	ThinkSystem 2.5" U.2 VA 15.36TB Read Intensive NVMe PCIe 5.0 x4 HS SSD	Not TCE	Support	12
4XB7A93126	C1W7	ThinkSystem 2.5" U.2 VA 30.72TB Read Intensive NVMe PCIe 5.0 x4 HS SSD	Not TCE	Support	12

Table 48. 2.5-inch hot-swap PCIe 4.0 NVMe SSDs

Part number	Feature code	Description	Top Choice Express	SED support	Max Qty
<b>2.5-inch SSDs - U.3 PCIe 4.0 NVMe - Mixed Use (3-5 DWPD)</b>					
4XB7A95054	C2BG	ThinkSystem 2.5" U.3 7500 MAX 800GB Mixed Use NVMe PCIe 4.0 x4 HS SSD	Not TCE	Support	12
4XB7A95055	C2BV	ThinkSystem 2.5" U.3 7500 MAX 1.6TB Mixed Use NVMe PCIe 4.0 x4 HS SSD	Not TCE	Support	12
4XB7A95056	C2BW	ThinkSystem 2.5" U.3 7500 MAX 3.2TB Mixed Use NVMe PCIe 4.0 x4 HS SSD	Not TCE	Support	12
4XB7A95057	C2BF	ThinkSystem 2.5" U.3 7500 MAX 6.4TB Mixed Use NVMe PCIe 4.0 x4 HS SSD	Not TCE	Support	12
4XB7A95058	C2BX	ThinkSystem 2.5" U.3 7500 MAX 12.8TB Mixed Use NVMe PCIe 4.0 x4 HS SSD	Not TCE	Support	12
<b>2.5-inch SSDs - U.3 PCIe 4.0 NVMe - Read Intensive (&lt;3 DWPD)</b>					
4XB7A95049	C2BY	ThinkSystem 2.5" U.3 7500 PRO 960GB Read Intensive NVMe PCIe 4.0 x4 HS SSD	Not TCE	Support	12
4XB7A95050	C2BR	ThinkSystem 2.5" U.3 7500 PRO 1.92TB Read Intensive NVMe PCIe 4.0 x4 HS SSD	Not TCE	Support	12
4XB7A95051	C2BS	ThinkSystem 2.5" U.3 7500 PRO 3.84TB Read Intensive NVMe PCIe 4.0 x4 HS SSD	Not TCE	Support	12
4XB7A95052	C2BT	ThinkSystem 2.5" U.3 7500 PRO 7.68TB Read Intensive NVMe PCIe 4.0 x4 HS SSD	Not TCE	Support	12
4XB7A95053	C2BU	ThinkSystem 2.5" U.3 7500 PRO 15.36TB Read Intensive NVMe PCIe 4.0 x4 HS SSD	Not TCE	Support	12

**U.3 drives:** In the DCSC configurator, 7500 PRO and 7500 MAX U.3 drives can only be selected when a Tri-Mode controller is also selected. See the [Controllers for internal storage](#) section.

Table 49. E3.S 1T EDSFF hot-swap PCIe 5.0 NVMe SSDs

Part number	Feature code	Description	Top Choice Express	SED support	Max Qty
<b>E3.S 1T hot-swap SSDs - PCIe 5.0 NVMe - Mixed Use (3-5 DWPD)</b>					
4XB7A93136	C1WD	ThinkSystem E3.S 1T VA 1.6TB Mixed Use NVMe PCIe 5.0 x4 HS SSD v2	Not TCE	Support	16
4XB7A93137	C1WE	ThinkSystem E3.S 1T VA 3.2TB Mixed Use NVMe PCIe 5.0 x4 HS SSD v2	Not TCE	Support	16
4XB7A93138	C1WF	ThinkSystem E3.S 1T VA 6.4TB Mixed Use NVMe PCIe 5.0 x4 HS SSD v2	Not TCE	Support	16
4XB7A93139	C1WG	ThinkSystem E3.S 1T VA 12.8TB Mixed Use NVMe PCIe 5.0 x4 HS SSD v2	Not TCE	Support	16
<b>E3.S 1T hot-swap SSDs - PCIe 5.0 NVMe - Read Intensive (&lt;3 DWPD)</b>					
4XB7A93131	C1W8	ThinkSystem E3.S 1T VA 1.92TB Read Intensive NVMe PCIe 5.0 x4 HS SSD v2	Not TCE	Support	16
4XB7A93132	C1W9	ThinkSystem E3.S 1T VA 3.84TB Read Intensive NVMe PCIe 5.0 x4 HS SSD v2	Not TCE	Support	16
4XB7A93133	C1WA	ThinkSystem E3.S 1T VA 7.68TB Read Intensive NVMe PCIe 5.0 x4 HS SSD v2	Not TCE	Support	16
4XB7A93134	C1WB	ThinkSystem E3.S 1T VA 15.36TB Read Intensive NVMe PCIe 5.0 x4 HS SSD v2	Not TCE	Support	16
4XB7B11623	CCZR	ThinkSystem E3.S 1T VA 30.72TB Read Intensive NVMe PCIe 5.0 x4 HS SSD v2	Not TCE	Support	16
4XB7B11624	CCZQ	ThinkSystem E3.S 1T VA 61.44TB Read Intensive NVMe PCIe 5.0 x4 HS SSD v2	Not TCE	Support	16

Table 50. M.2 SATA non-hot-swap drives (not for B350/B550 M.2 adapters)

Part number	Feature code	Description	Top Choice Express	SED support	Max Qty
<b>M.2 SSDs - 6 Gb SATA - Read Intensive (&lt;3 DWPD)</b>					
4XB7B07588	CABU	ThinkSystem M.2 VA 480GB Read Intensive SATA 6Gb NHS SSD	TCE	Support	2
4XB7B07589	CACA	ThinkSystem M.2 VA 960GB Read Intensive SATA 6Gb NHS SSD	Not TCE	Support	2
4XB7A90049	BYF8	ThinkSystem M.2 ER3 480GB Read Intensive SATA 6Gb NHS SSD	Not TCE	Support	2
4XB7A90230	BYF9	ThinkSystem M.2 ER3 960GB Read Intensive SATA 6Gb NHS SSD	Not TCE	Support	2
4XB7A82287	BQ1Y	ThinkSystem M.2 5400 PRO 480GB Read Intensive SATA 6Gb NHS SSD	Not TCE	Support	2
4XB7A82288	BQ20	ThinkSystem M.2 5400 PRO 960GB Read Intensive SATA 6Gb NHS SSD	Not TCE	Support	2

Table 51. M.2 PCIe 4.0 NVMe hot-swap drives (only for B550d/B550p M.2 adapters)

Part number	Feature code	Description	Top Choice Express	SED support	Max Qty
<b>M.2 SSDs - PCIe 4.0 NVMe - Read Intensive (&lt;3 DDPD)</b>					
4XB7B14665	C286	ThinkSystem M.2 VA 480GB Read Intensive NVMe HS SSD	TCE	Support	2
4XB7B14666	C287	ThinkSystem M.2 VA 960GB Read Intensive NVMe HS SSD	TCE	Support	2
4XB7B14667	C288	ThinkSystem M.2 VA 1.92TB Read Intensive NVMe HS SSD	Not TCE	Support	2

Table 52. M.2 PCIe 4.0 NVMe non-hot-swap drives (only for B350i/B550i M.2 adapters)

Part number	Feature code	Description	Top Choice Express	SED support	Max Qty
<b>M.2 SSDs - PCIe 4.0 NVMe - Read Intensive (&lt;3 DDPD)</b>					
4XB7A93140	C286	ThinkSystem M.2 VA 480GB Read Intensive NVMe NHS SSD	TCE	Support	2
4XB7A93141	C287	ThinkSystem M.2 VA 960GB Read Intensive NVMe NHS SSD	TCE	Support	2
4XB7A93142	C288	ThinkSystem M.2 VA 1.92TB Read Intensive NVMe NHS SSD	Not TCE	Support	2

Table 53. M.2 PCIe 4.0 NVMe non-hot-swap drives (not for B350/B550 M.2 adapters)

Part number	Feature code	Description	Top Choice Express	SED support	Max Qty
<b>M.2 SSDs - PCIe 4.0 NVMe - Read Intensive (&lt;3 DDPD)</b>					
4XB7B09650	CBSZ	ThinkSystem M.2 VA 480GB Read Intensive NVMe PCIe 4.0 x4 NHS SSD	TCE	Support	2
4XB7B09651	CBT0	ThinkSystem M.2 VA 960GB Read Intensive NVMe PCIe 4.0 x4 NHS SSD	Not TCE	Support	2

## Internal backup units

The server does not supports any internal backup units, such as tape drives or RDX drives. External backup units are available as described in the [External backup units](#) section.

## Optical drives

The server supports the external USB optical drive listed in the following table.

Table 54. External optical drive

Part number	Feature code	Description	Top Choice Express
7XA7A05926	AVV8	ThinkSystem External USB DVD RW Optical Disk Drive	TCE

The drive is based on the Lenovo Slim DVD Burner DB65 drive and supports the following formats: DVD-RAM, DVD-RW, DVD+RW, DVD+R, DVD-R, DVD-ROM, DVD-R DL, CD-RW, CD-R, CD-ROM.

## I/O expansion

The SR630 V4 supports a total of up to 3x PCIe slots, all at the rear of the server, plus 2x OCP 3.0 SFF slots for networking. Slot availability is based on riser selection and drive bays configured. The use of slot 3 requires that both processors be installed.

**Internal (CFF) RAID adapter/HBA:** For configurations with 2.5-inch front drive bays, an internal RAID adapter or HBA (CFF, custom form factor) can be installed in a dedicated space and cabled to a PCIe 4.0 x8 connector, thereby freeing up a slot for other purposes.

Topics in this section:

- [Rear slots](#)
- [Slot configurations](#)
- [Slot field upgrades](#)
- [OCP slot filler](#)
- [Serial port](#)

### Rear slots

The following figure shows the locations of the rear-accessible slots for each configuration selection. The rear OCP slots (slots 6 and 7) are located below the PCIe slots.

All slots are PCIe Gen 5, either x16 or x8 as shown.

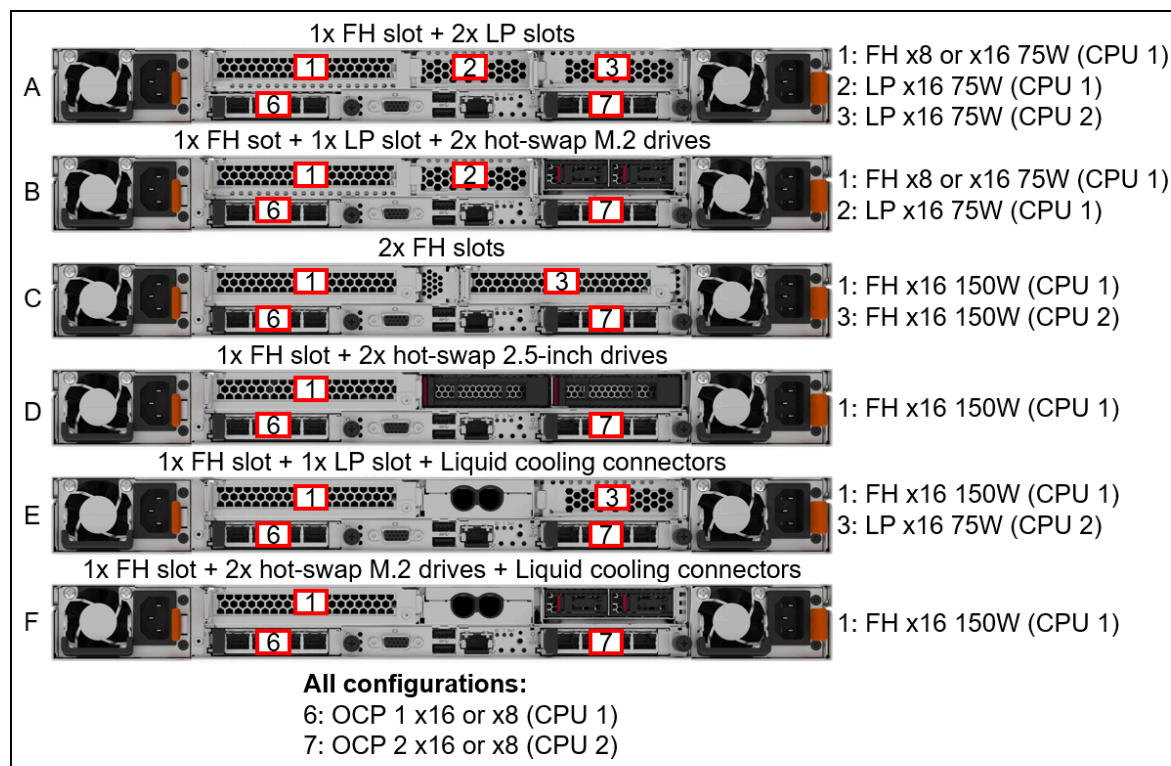


Figure 19. SR630 V4 rear slot configurations

The rear-accessible slots and riser cards are as follows:

- Riser 1: Slots 1 & 2 (connect to CPU 1)
  - Slot 1: Full height, PCIe 5.0 x8 or x16, depending on the configuration
  - Slot 2: Low Profile, PCIe 5.0 x16 (only in configuration A and B in the above figure)
- Riser 2: Slot 3 (connects to CPU 2)
  - Slot 3: Low Profile or FHHL, PCIe 5.0 x16 (only in configuration A, C, and E)

- OCP slots:
  - OCP slot 6 (connects to CPU 1): PCIe 5.0 x8 or x16 (can be configured as x16 with the addition of a x16 OCP Cable Kit, feature C1YK)
  - OCP slot 7 (connects to CPU 2): PCIe 5.0 x8 or x16 (can be configured as x16 with the addition of a x16 OCP Cable Kit, feature C1YK)

The following table lists the CTO feature codes for the rear slots. For part numbers, see the [Rear slot configurations](#) table.

The table includes a Top Choice Express column: for CTO orders, select a TCE component for faster delivery. See the [Top Choice](#) section for more information.

Table 55. CTO feature codes for Risers and the OCP cable

Feature code	Description	Top Choice Express	Max Qty	Purpose
<b>Riser cards</b>				
C1ZB*	ThinkSystem SR630 V4 x16 PCIe Gen5 Riser 1 or 2	TCE	2	Provides x16 slot 1 (riser 1) or slot 3 (riser 2)
C4DU**	ThinkSystem SR630 V4 x16 PCIe Gen5 Riser 1 for Compute Complex Neptune Core Module	Not TCE		Provides x16 slot 1 (riser 1) (for machine type 7DK1 only)
C1Z4	ThinkSystem SR630 V4 x16 PCIe Gen5 Riser 2	TCE	1	Provides x16 slot 3 (riser 2)
C2NL*	ThinkSystem SR630 V4 x8/x8 PCIe Gen5 Riser 1	TCE	1	Provides x8 slots 1 and 2 (riser 1)
C1YH*	ThinkSystem SR630 V4 x16/x16 PCIe Gen5 Cable Riser 1	TCE	1	Provides x16 slots 1 and 2 (riser 1)
<b>OCP cable</b>				
C1YK	ThinkSystem SR650 V4/SR630 V4 x16 OCP Cable Kit	TCE	2	With this cable, a rear OCP slot is PCIe x16. Without this cable, the rear OCP slot is PCIe x8. 1 per OCP slot. Rear OCP slots only.

\* Not supported with configurations using the Compute Complex Neptune Core Module (machine type 7DK1)

\*\* Only supported with configurations using the Compute Complex Neptune Core Module (machine type 7DK1)

## Slot configurations

The following table lists the supported rear slots configurations in the SR630 V4. The Cfg column matches the slot configurations shown in the [Rear slots](#) section.

Ordering information is as follows:

- For CTO orders, order the feature codes listed for the configuration, both riser and cage feature codes (2 or 4 feature codes, depending on the configuration)
- For field upgrades, order the part numbers listed for the configuration (1 or 2 part numbers, depending on the configuration). The part numbers include both the risers and cages needed for that configuration.

**No slots:** It is also possible to build a configuration without any slots, in which case slot fillers will be derived in the configurator. Slots can be added later as field upgrades using option part numbers as listed in the table.

Table 56. Rear slot configurations

Cfg	Part number	Features		Description (part number)	Slot configuration* (All Gen5)			Purpose
		Riser	Cage		Slot 1	Slot 2	Slot 3	
Rear slots - Gen 5					Slot 1	Slot 2	Slot 3	
A x16	4XH7A96826	C1YH	C1Z7†	ThinkSystem SR630 V4 x16/x16 Gen5 Cable Riser 1 FH+LP Option Kit	FH x16 75W (CPU 1)	LP x16 75W (CPU 1)		1x FH slot + 2x LP slots (x16/x16/x16 75W)
	4XH7A96828	C1Z4	C1Z8†	ThinkSystem SR630 V4 x16 Gen5 Riser 2 LP Option Kit			LP x16 75W (CPU 2)	
A x8	4XH7A96827	C2NL	C1Z7†	ThinkSystem SR630 V4 x8/x8 Gen5 Riser 1 FH+LP Option Kit	FH x8 75W (CPU 1)	LP x8 75W (CPU 1)		1x FH slot + 2x LP slots (x8/x8/x16 75W)
	4XH7A96828	C1Z4	C1Z8†	ThinkSystem SR630 V4 x16 Gen5 Riser 2 LP Option Kit			LP x16 75W (CPU 2)	
B x16	4XH7A96826	C1YH	C1Z7†	ThinkSystem SR630 V4 x16/x16 Gen5 Cable Riser 1 FH+LP Option Kit	FH x16 75W (CPU 1)	LP x16 75W (CPU 1)	M.2 drives	1x FH slot + 1x LP slot (x16/x16 75W) + 2x hot-swap M.2 drives
B x8	4XH7A96827	C2NL	C1Z7†	ThinkSystem SR630 V4 x8/x8 Gen5 Riser 1 FH+LP Option Kit	FH x8 75W (CPU 1)	LP x8 75W (CPU 1)	M.2 drives	1x FH slot + 1x LP slot (x8/x8 75W) + 2x hot-swap M.2 drives
C	4XH7A96823	C1ZB	C1ZC	ThinkSystem SR630 V4 x16 Gen5 Riser 1 FH Option Kit	FH x16 150W (CPU 1)	No slot		2x FH slots (x16/x16 150W) for GPUs > 75W
	4XH7A96824	C1ZB	C1ZD	ThinkSystem SR630 V4 x16 Gen5 Riser 2 FH Option Kit			FH x16 150W (CPU 2)	
D	4XH7A96825	C1ZB	C1ZF	ThinkSystem SR630 V4 x16 Gen5 Riser 1 FH Option Kit for Rear HDD	FH x16 150W (CPU 1)	2.5" drive	2.5" drive	1x FH slot (x16 150W) + 2x hot-swap 2.5-inch drives
E	4XH7A96825*	C1ZB*	C1ZF	ThinkSystem SR630 V4 x16 Gen5 Riser 1 FH Option Kit for Rear HDD	FH x16 150W (CPU 1)	DWC connectors		1x FH slot + 1x LP slot (x16 150W/x16 75W) + Liquid cooling connectors
	4XH7A96828	C1Z4	C1Z8†	ThinkSystem SR630 V4 x16 Gen5 Riser 2 LP Option Kit			LP x16 75W (CPU 2)	
F	4XH7A96825*	C1ZB*	C1ZF	ThinkSystem SR630 V4 x16 Gen5 Riser 1 FH Option Kit for Rear HDD	FH x16 150W (CPU 1)	DWC connectors	M.2 drives	1x FH slot (x16 150W) + 2x hot-swap M.2 drives + Liquid cooling connectors

\* In configurations using the Compute Complex Neptune Core Module (machine type 7DK1), use feature code C4DU instead of C1ZB (or part number 4XH7B04174 instead of 4XH7A96825)

† See configuration note below regarding 4-port adapters

Configuration notes:

- If configuring any of the following 4-port PCIe adapters, a different cage will be derived by the configurator. This cage will allow the 4-port adapter to be installed in a low profile (LP) slot:
  - ThinkSystem Intel E610-T4 10GBase-T 4-Port PCIe Ethernet Adapter(Generic FW), 4XC7A96733
  - ThinkSystem Broadcom 57504 10/25GbE SFP28 4-port PCIe Ethernet Adapter, 4XC7A80566
  - ThinkSystem Nvidia ConnectX-7 10/25GbE SFP28 4-Port PCIe Ethernet Adapter(Generic), 4XC7A99191

The cage that will be configured depends on the slot used:

- Slot 2: ThinkSystem SR630 V4 Full Height+Low Profile Riser1 Cage v2, C9AR (instead of feature C1Z7)
- Slot 3: ThinkSystem 1U V4 Low Profile Riser Cage v2, C9AS (instead of feature C1Z8)

## Slot field upgrades

Slot configurations can also be ordered as field upgrades using option part numbers, as listed in the following table.

For details on which configurations these are supported in, see the [Slot configurations](#) section.

Table 57. Slot field upgrades

Part number	Description	Max Qty
Rear PCIe risers		
4XH7A96823	ThinkSystem SR630 V4 x16 Gen5 Riser 1 FH Option Kit	1
4XH7A96824	ThinkSystem SR630 V4 x16 Gen5 Riser 2 FH Option Kit	1
4XH7A96825	ThinkSystem SR630 V4 x16 Gen5 Riser 1 FH Option Kit for Rear HDD	1
4XH7A96826	ThinkSystem SR630 V4 x16/x16 Gen5 Cable Riser 1 FH+LP Option Kit	1
4XH7A96827	ThinkSystem SR630 V4 x8/x8 Gen5 Riser 1 FH+LP Option Kit	1
4XH7A96828	ThinkSystem SR630 V4 x16 Gen5 Riser 2 LP Option Kit	1
Rear OCP slot upgrades		
4X97A97300	ThinkSystem V4 1U/2U OCP x16 Enablement Cable Kit	2

Configuration notes:

- Riser option part numbers include the riser card and the bracket that the riser card mounts in. For cabled risers, the option part numbers include the cable needed to connect the riser to the system board.
- The ThinkSystem V4 1U/2U OCP x16 Enablement Cable Kit (4X97A97300) is used to convert a rear OCP slot from PCIe x8 to PCIe x16, which is beneficial if you have, or plan to have, a PCIe x16 OCP adapter installed. The kit includes a cable that plugs into system board connector PCI 10 for OCP slot 1, or connector PCI 12 for OCP slot 2 (see the block diagram in the [System architecture](#) section).

## OCP slot filler

If customers or partners remove an OCP adapter from the server, we recommend that a slot cover (slot filler) be installed in its place to ensure proper airflow in the server. Ordering information is listed in the following table.

**Tip:** For CTO orders and preconfigured models, slot fillers are automatically installed in slots where an OCP adapter is not installed.

Table 58. OCP slot filler

Part number	Description
4XF7B06188	ThinkSystem OCP3 FILLER

### Serial port

The SR630 V4 optionally supports a RS-232 serial port by adding a COM port bracket to a supported slot. Ordering information is shown in the following table.

Table 59. Serial port

Part number	Feature code	Description	Top Choice Express	Slots supported
4X97A97253	C3FB	ThinkSystem V4 1U/2U COM Port Upgrade Kit	Not TCE	1

The bracket is shown in the following figure. The option part number includes both Low Profile and Full Height brackets.

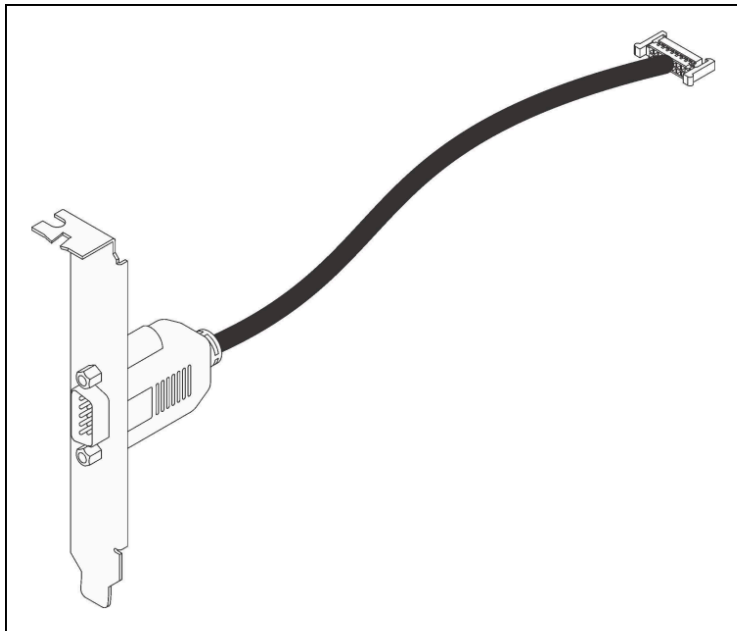


Figure 20. ThinkSystem V4 1U/2U COM Port Upgrade Kit

## Network adapters

This section lists the supported network adapters:

- [OCP network adapters](#)
- [PCIe network adapters](#)
- [ConnectX-8 auxiliary cable](#)
- [Adapters with Generic firmware](#)

### OCP network adapters

The server has two dedicated OCP 3.0 SFF slots each with either a PCIe x8 or x16 host interface. The OCP slots are both located at the rear of the server. See the [Rear view figure](#) for the location of the OCP slots.

The following table lists the supported OCP adapters. One port can optionally be shared with the XCC management processor for Wake-on-LAN and NC-SI support.

Table 60. Supported OCP adapters

Part number	Feature code	Description	Top Choice Express	Maximum supported	PCIe width
<b>Gigabit Ethernet</b>					
4XC7A08235	B5T1	ThinkSystem Broadcom 5719 1GbE RJ45 4-port OCP Ethernet Adapter	TCE	2	PCIe x4
4XC7A96731	C4HR	ThinkSystem Intel E610-T4 1GBase-T 4-Port OCP Ethernet Adapter(Generic FW)*	Not TCE	2	PCIe x4
<b>10 Gb Ethernet - 10GBASE-T</b>					
4XC7A95696	C4GB	ThinkSystem Broadcom 57412 10GBase-T 4-Port OCP Ethernet Adapter	TCE	2	PCIe x8
4XC7A08236	B5ST	ThinkSystem Broadcom 57416 10GBASE-T 2-port OCP Ethernet Adapter	TCE	2	PCIe x8
4XC7A96732	C4HS	ThinkSystem Intel E610-T2 10GBase-T 2-Port OCP Ethernet Adapter(Generic FW)*	TCE	2	PCIe x8
4XC7A96734	C4HU	ThinkSystem Intel E610-T4 10GBase-T 4-Port OCP Ethernet Adapter(Generic FW)*	TCE	2	PCIe x8
<b>25 Gb Ethernet</b>					
4XC7A08237	BN2T	ThinkSystem Broadcom 57414 10/25GbE SFP28 2-Port OCP Ethernet Adapter	TCE	2	PCIe x8
4XC7A80567	BPPW	ThinkSystem Broadcom 57504 10/25GbE SFP28 4-Port OCP Ethernet Adapter	TCE	2	PCIe x16
4XC7A08294	BCD4	ThinkSystem Intel E810-DA2 10/25GbE SFP28 2-Port OCP Ethernet Adapter	TCE	2	PCIe x8
4XC7A62582	BE4T	ThinkSystem Mellanox ConnectX-6 Lx 10/25GbE SFP28 2-port OCP Ethernet Adapter	Not TCE	2	PCIe x8
<b>100 Gb Ethernet</b>					
4XC7A08243	BPPX	ThinkSystem Broadcom 57508 100GbE QSFP56 2-Port OCP Ethernet Adapter	Not TCE	2	PCIe x16
4XC7A99190	C62H	ThinkSystem Nvidia ConnectX-6 Dx 100GbE QSFP56 2-port OCP Ethernet Adapter(Generic)*	Not TCE	2	PCIe x16
<b>400 Gb Ethernet</b>					

Part number	Feature code	Description	Top Choice Express	Maximum supported	PCIe width
4XC7A95695	C4CQ	ThinkSystem Broadcom 57608 2x200/1x400GbE QSFP112 OCP Ethernet Adapter(Generic FW)*	Not TCE	2§	PCIe x16

\* See the [Adapters with Generic firmware](#) section

§ The 57608 adapters do not support transceiver BQJZ with Active Optical Cables (C6R9, C8N5, C8N6) when installed in the SR630 V4, due to thermal reasons

The above table indicates the PCIe width of host interface for each adapter. All adapters with a PCIe x16 interface will require that the OCP slots have a x16 connection. The cable kit listed in the following table will be required for these x16 adapters.

Table 61. ThinkSystem V4 1U/2U OCP x16 Enablement Cable Kit

Part number	Feature code	Description	Top Choice Express
4X97A97300	C1YK	ThinkSystem V4 1U/2U OCP x16 Enablement Cable Kit	TCE

**Note:** NC-SI support (also known as “Shared NIC” functionality) on ConnectX-6 OCP adapters is supported with XCC firmware IHX424P or later.

## PCIe network adapters

The following table lists additional supported network adapters that can be installed in the regular PCIe slots.

Table 62. Supported PCIe Network Adapters

Part number	Feature code	Description	Top Choice Express	Max qty	Slots	PCIe width
Gigabit Ethernet						
7ZT7A00484	AUZV	ThinkSystem Broadcom 5719 1GbE RJ45 4-Port PCIe Ethernet Adapter	TCE	2	1,3	PCIe x4
10 Gb Ethernet - 10GBASE-T						
4XC7A95697	C4GC	ThinkSystem Broadcom 57412 10GBase-T 4-Port PCIe Ethernet Adapter	TCE	2	1,3	PCIe x8
7ZT7A00496	AUKP	ThinkSystem Broadcom 57416 10GBASE-T 2-Port PCIe Ethernet Adapter	TCE	3	1,2,3	PCIe x8
4XC7A96733	C4HT	ThinkSystem Intel E610-T4 10GBase-T 4-Port PCIe Ethernet Adapter(Generic FW)**	Not TCE	3†	1,2,3	PCIe x8
25 Gb Ethernet						
4XC7A08238	BK1H	ThinkSystem Broadcom 57414 10/25GbE SFP28 2-port PCIe Ethernet Adapter	TCE	3	1,2,3	PCIe x8
4XC7A80566	BNWM	ThinkSystem Broadcom 57504 10/25GbE SFP28 4-port PCIe Ethernet Adapter	TCE	3†	1,2,3	PCIe x16
4XC7A08295	BCD6	ThinkSystem Intel E810-DA2 10/25GbE SFP28 2-Port PCIe Ethernet Adapter	TCE	3	1,2,3	PCIe x8
4XC7A62580	BE4U	ThinkSystem Mellanox ConnectX-6 Lx 10/25GbE SFP28 2-port PCIe Ethernet Adapter	Not TCE	3	1,2,3	PCIe x8
4XC7A99191	C62J	ThinkSystem Nvidia ConnectX-7 10/25GbE SFP28 4-Port PCIe Ethernet Adapter(Generic)**	Not TCE	3†	1,2,3	PCIe x16
100 Gb Ethernet and HDR100 InfiniBand						
4XC7A08297	BK1J	ThinkSystem Broadcom 57508 100GbE QSFP56 2-Port PCIe 4 Ethernet Adapter	TCE ⓘ	3*	1,2,3	PCIe x16

Part number	Feature code	Description	Top Choice Express	Max qty	Slots	PCIe width
4XC7A08248	B8PP	ThinkSystem Mellanox ConnectX-6 Dx 100GbE QSFP56 2-port PCIe Ethernet Adapter	TCE ⓘ	3*	1,2,3	PCIe x16
200 Gb Ethernet and HDR/NDR200 InfiniBand						
4XC7A81883	BQBN	ThinkSystem NVIDIA ConnectX-7 NDR200/200GbE QSFP112 2-port PCIe Gen5 x16 InfiniBand Adapter	Not TCE	3*	1,2,3	PCIe x16
400 Gb Ethernet and NDR InfiniBand						
4XC7A95572	C4GA	ThinkSystem Broadcom 57608 2x200/1x400GbE QSFP112 PCIe Ethernet Adapter	Not TCE	3*§	1,2,3	PCIe x16
4XC7A95508	C51C	ThinkSystem NVIDIA ConnectX-7 NDR400 OSFP 1-port PCIe Gen5 VPI Adapter	Not TCE	3*	1,2,3	PCIe x16
4XC7B03668	C9AQ	ThinkSystem NVIDIA ConnectX-8 8240 400GbE / 400Gb/s IB QSFP112 2-port PCIe Gen6 x16 (Generic FW)**	Not TCE	2*‡	1,2,3	PCIe x16
800 Gb XDR InfiniBand / 400 Gb Ethernet						
4XC7B03667	C9AP	ThinkSystem NVIDIA ConnectX-8 8180 800Gbs XDR IB / 2x400GbE OSFP 1-port PCIe Gen6 x16 (Generic FW)**	Not TCE	2*‡	1,2,3	PCIe x16

\* Performance fans may be required. See the [Cooling](#) section

† These 4-port adapters require Riser 1 cage ThinkSystem SR630 V4 Full Height+Low Profile Riser1 Cage v2, feature C9AR, option part number TBA, or Riser 2 cage ThinkSystem 1U V4 Low Profile Riser Cage v2, feature C9AS, option part number TBA

\*\* See the [Adapters with Generic firmware](#) section

‡ Auxiliary cable required; see below

§ The 57608 adapters do not support transceiver BQJZ with Active Optical Cables (C6R9, C8N5, C8N6) when installed in the SR630 V4, due to thermal reasons

For more information, including the transceivers and cables that each adapter supports, see the list of Lenovo Press Product Guides in the Networking adapters category:

<https://lenovopress.com/servers/options/ethernet>

### ConnectX-8 auxiliary cable

The NVIDIA ConnectX-8 8240 adapter (2x 400Gb) and ConnectX-8 8180 adapter (1x 800Gb) both require the use of an Auxiliary cable which plugs into a second PCIe x16 connection. The combination of the x16 host interface of the adapter plus the x16 connection of the Auxiliary cable results in a PCIe 5.0 x32 connection, needed for 800 Gb networking connectivity. Ordering information for the Auxiliary cable is listed in the following table. For CTO orders, the cable is automatically selected when one of the ConnectX-8 is selected.

Table 63. Auxiliary cable needed for ConnectX-8 adapters

Part number	Feature code	Description	Top Choice Express
4X97B05994	C8WC	ThinkSystem V4 1U/2U NVIDIA ConnectX-8 Aux Cable Kit	Not TCE

**Field upgrades:** When adding the ConnectX-8 adapter and Aux cable as a field upgrade, you will also need to change the settings of the adapter to enable the x32 host connection. See the following Lenovo Press paper for instructions: [Configuring the NVIDIA ConnectX-8 Adapter and Auxiliary Cable on ThinkSystem Servers](#).

### Adapters with Generic firmware

As indicated in the tables of supported adapters, some adapters are now offered by Lenovo with standard

vendor firmware (look for "Generic FW" or "Generic" in the adapter names). These adapters are supported in Lenovo servers and with Lenovo management tools. Support in Lenovo XClarity management tools for adapters with generic firmware is per the following table.

**Tip:** Always use firmware that is obtained from Lenovo sources to ensure the firmware is fully tested by Lenovo and is supported. You should not use firmware that is obtained from the vendor web site, unless directed to do so by Lenovo support.

Table 64. Lenovo XClarity management tools support for adapters with generic firmware

Function	Lenovo XClarity Provisioning Manager	Lenovo XClarity OneCLI (out-of-band)	Lenovo XClarity OneCLI (in-band)	Lenovo XClarity Administrator
Adapter configuration	Supported (in-band via UEFI)	Supported with latest UEFI firmware*	Supported with latest UEFI firmware*	Supported with latest UEFI firmware*

\* Minimum supported UEFI firmware is as follows: SR630 V4, SR650 V4, SR650a V4: [Release IHE116I](#); SR850 V4, SR860 V4: [Release RVE106I](#).

## GPU adapters

The SR630 V4 supports the following graphics processing units (GPUs).

Table 65. Supported GPUs

Part number	Feature code	Description	Top Choice Express	Controlled GPU	Maximum supported	Slots supported
4X67A84824	BS2C	ThinkSystem NVIDIA L4 24GB PCIe Gen4 Passive GPU	Not TCE	Controlled	3	1,2,3

For information about these GPUs, see the ThinkSystem GPU Summary, available at: <https://lenovopress.com/lp0768-thinksystem-thinkagile-gpu-summary>

### Configuration rules

The following configuration requirements must be met when installing GPUs:

- The table includes a Controlled GPU column. If a GPU is listed as Controlled, that means the GPU is not offered in certain markets, as determined by the US Government. If a GPU is listed as No, that means the GPU is not controlled and is available in all markets.
- All GPUs installed must be identical
- For NVIDIA L4 or any other passively cooled GPU (GPU without integrated fan), performance fans are required (see the [Cooling](#) section)
- The use of GPUs is not supported with Compute Complex Neptune Core water cooling (machine type 7DK1).

## Fibre Channel host bus adapters

The following table lists the Fibre Channel HBAs supported by the SR630 V4.

Table 66. Fibre Channel HBAs

Part number	Feature code	Description	Top Choice Express	Maximum supported	Slots supported
32Gb Fibre Channel					
4XC7A96457	C5FC	ThinkSystem Emulex LPe37102 32Gb 2-port SecureHBA PCIe Fibre Channel Adapter(Generic FW)	TCE	3	1,2,3
4XC7A08279	BA1G	ThinkSystem QLogic QLE2770 32Gb 1-Port PCIe Fibre Channel Adapter	TCE ⓘ	3	1,2,3
4XC7A08276	BA1F	ThinkSystem QLogic QLE2772 32Gb 2-Port PCIe Fibre Channel Adapter	TCE	3	1,2,3
64Gb Fibre Channel					
4XC7A96458	C5FD	ThinkSystem Emulex LPe38102 64Gb 2-port SecureHBA PCIe Fibre Channel Adapter(Generic FW)	TCE	3	1,2,3
4XC7A96744	C4L3	ThinkSystem QLogic QLE2872 64Gb 2-Port PCIe Fibre Channel Adapter(Generic FW)	Not TCE	3	1,2,3

For more information, see the list of Lenovo Press Product Guides in the Host bus adapters category:  
<https://lenovopress.com/servers/options/hba>

## SAS adapters for external storage

The following table lists SAS HBAs and RAID adapters supported by SR630 V4 server for use with external storage.

Table 67. Adapters for external storage

Part number	Feature code	Description	Top Choice Express	Maximum supported	Slots supported
SAS HBAs - PCIe 4.0					
4Y37A09724	B8P7	ThinkSystem 440-16e SAS/SATA PCIe Gen4 12Gb HBA	TCE	3	1,2,3
RAID Adapter - PCIe 4.0					
4Y37A78836	BNWJ	ThinkSystem RAID 940-8e 4GB Flash PCIe Gen4 12Gb Adapter	TCE	3*	1,2,3

\* The RAID adapter use a flash power module (supercap), which needs to be installed in one of the available locations in the server. For field upgrades, ensure the server configuration supports the required number of supercaps. See the [RAID flash power module \(supercap\) support](#) section for details.

For a comparison of the functions of the supported storage adapters, see the ThinkSystem RAID Adapter and HBA Reference:

<https://lenovopress.lenovo.com/lp1288#sr630-v4-support=SR630%2520V4&internal-or-external-ports=External>

For more information, see the list of Lenovo Press Product Guides in the Host bus adapters and RAID adapters categories:

<https://lenovopress.com/servers/options/hba>

<https://lenovopress.com/servers/options/raid>

## Cooling

The SR630 V4 optionally supports closed-loop and open-loop water cooling to remove heat from the processors and memory. For details of available cooling methods, see the [Processor cooling](#) section.

The SR630 V4 server has up to eight 40 mm hot-swap variable-speed fans. The fans are implemented as 2-in-1 fan modules where each module contains two fans, side by side.



Figure 21. Fan module

Three fan modules (six fans) are needed when one processor is installed and four fan modules (eight fans) are required when two processors are installed. The server offers N+1 rotor redundancy.

Depending on the configuration, the server can be configured with one of the following:

- Standard fans, which are single-rotor 28K RPM fans
- Performance fans, which are dual-rotor 28K RPM fans
- Ultra Performance, which are dual-rotor 31K RPM fans

Ordering information for the fans is listed in the following table.

Table 68. Fan ordering information (each module contains two fans)

Part number	Feature code	Description	Top Choice Express	Fan modules required (2 fans each)	
				1 CPU	2 CPUs
Air-cooled and Lenovo Processor Neptune Core Module					
4H47A96816	C1YS	ThinkSystem SR630 V4 Standard Fan Option Kit	TCE	3	4
4H47A96817	C1YT	ThinkSystem SR630 V4 Performance Fan Option Kit	TCE	3	4
4H47A96818	C1YU	ThinkSystem SR630 V4 Ultra Fan Option Kit	TCE	3	4
Lenovo Compute Complex Neptune Core Module (machine type 7DK1)					
4H47B04172	C6LQ	ThinkSystem SR630 V4 Fan Module for Compute Complex Neptune Core Module	Not TCE	No support	4

Configuration rules:

- Fan types cannot be mixed
- Fan selection is based on the server configuration and ambient temperature requirement. See the Thermal Rules page on the Lenovo Docs site for details: [https://pubs.lenovo.com/sr630-v4/thermal\\_rules](https://pubs.lenovo.com/sr630-v4/thermal_rules)

## Power supplies

The SR630 V4 supports up to two redundant hot-swap power supplies.

The power supply choices are listed in the following table. If two power supplies are installed, both power supplies used in server must be identical.

Topics in this section:

- [Power supply LEDs](#)
- [Zero-output mode](#)
- [Power cords \(C13 connectors\)](#)
- [-48V DC power cord](#)
- [HVAC/HVDC power cord](#)

**Tip:** When configuring a server in the DCSC configurator, power consumption is calculated precisely by interfacing with Lenovo Capacity Planner. You can therefore select the appropriate power supply for your configuration. However, do consider future upgrades that may require additional power needs.

Table 69. Power supply options

Part number	Feature code	Description	Top Choice Express	Min Qty	Max Qty	Capacity (230V)	Capacity (115V)	Voltage	Conn.
Titanium AC power supplies - CRPS Premium									
4P57A88687	C0U7	ThinkSystem 800W 230V/115V Titanium CRPS Premium Hot-Swap Power Supply	Not TCE	1	2	800W	800W	230V/115V	C14
4P57A88621	C0U4	ThinkSystem 1300W 230V/115V Titanium CRPS Premium Hot-Swap Power Supply	TCE	1	2	1300W	1000W	230V/115V	C14
4P57A88689	C0U3	ThinkSystem 2000W 230V Titanium CRPS Premium Hot-Swap Power Supply	TCE	2	2	2000W	-	230V	C14
Titanium AC power supplies - CRPS									
4P57A87056	BWM3	ThinkSystem 800W 230V/115V Titanium CRPS Hot-Swap Power Supply v1.4	TCE	2	2	800W	800W	230V/115V	C14
4P57A87628	C2Y9	ThinkSystem 1300W 230V/115V Titanium CRPS Hot-Swap Power Supply v2.4	TCE	2	2	1300W	1000W	230V/115V	C14
Platinum AC power supplies - CRPS									
4P57A89306	C0U8	ThinkSystem 800W 230V/115V Platinum CRPS Hot-Swap Power Supply v1.5	TCE	2	2	800W	800W	230V/115V	C14
4P57A89307	C0U6	ThinkSystem 1300W 230V/115V Platinum CRPS Hot-Swap Power Supply v1.5	Not TCE	2	2	1300W	1000W	230V/115V	C14

Part number	Feature code	Description	Top Choice Express	Min Qty	Max Qty	Capacity (230V)	Capacity (115V)	Voltage	Conn.
4P57A88636	C0U5	ThinkSystem 1300W 230V/115V Platinum CRPS Hot-Swap Power Supply v2.4	TCE	2	2	1300W	1000W	230V/115V	C14
HVAC/HVDC power supplies - CRPS Premium									
4P57A88627	C0TR	ThinkSystem 1300W HVAC/HVDC Platinum CRPS Premium Hot-Swap Power Supply	Not TCE	2	2	1300W	-	200-277V AC 240-380V DC	HVAC
-48V DC power supplies - CRPS Premium									
4P57A88625	C0TS	ThinkSystem 1300W -48V DC CRPS Premium Hot-Swap Power Supply	Not TCE	2	2	1300W	-	-48V	-48V DC

Configuration rules:

- When 2x power supplies are installed, they form a redundant pair; power supplies must be identical part numbers
- Most power supplies require that 2x PSUs be installed - See the Minimum Quantity column for specifics.

Supported voltage ranges are as follows:

- The 230V/115V AC power supplies support both low-range (100-127V 50/60 Hz) and high-range (200-240V 50/60 Hz) power, except where noted. For China customers, all power supplies support 240V DC.
- The -48V DC power supply supports voltage range -44V to -54V DC.
- The HVAC/HVDC power supply supports voltage ranges 200-277V AC single phase, and 240-380V DC

For inlet current requirements, see the [Physical and electrical specifications](#) section.

Power supply options do not include a line cord. See the tables below for details about supported line cords, including the power cords for the DC power supplies. For server configurations, the inclusion of a power cord is model dependent. Configure-to-order models can be configured without power cords if desired.

The SR630 V4 supports both CRPS and CRPS Premium power supplies. CRPS Premium power supplies offer the following additional features:

- Over-subscription
- More accurate power metering
- Virtual reset
- Enhanced fault detection
- System cooling assist (fan override)
- Fault LEDs
- VPD support
- Zero-output mode support (cold redundancy mode) (see the [Zero-output mode](#) section)

## Power supply LEDs

CRPS Premium power supplies have two LEDs:

- Power output/fault LED:
  - Green: The server is on and the power supply is working normally
  - Green, slow blinking (1 flash/sec): The power supply is in Zero-output/Standby mode (see below)
  - Green, fast blinking (5 flashes/sec): The power supply unit is in firmware update mode
  - Yellow: The power supply unit may have failed.
  - Off: The server is powered off, or the power supply is not working properly
- Power input LED:
  - Green: The power supply is connected to the input power source
  - Off: The power supply is disconnected from the AC power source or a power problem has occurred

CRPS power supplies have one LED:

- Green: The server is on and the power supply is working normally
- Green, blinking: The power supply unit is in firmware update mode
- Yellow: Either the power supply has failed, or two power supplies are installed but one is not connected to the input power source
- Yellow, blinking: The power supply is indicating a warning such as over-temperature warning, over-current warning, or a slow fan speed
- Off: The server is powered off, or the power supply is not working properly

## Zero-output mode

Zero-output mode (also known as Standby mode or Cold Redundancy mode) allows a power supply to enter a low-power mode when it is not needed. Zero-output mode is only supported on CRPS Premium power supplies.

When Zero-output mode is configured in XCC and the server power load is sufficiently low, one of the installed power supplies enters into the Standby state while the other one delivers entire load. When the power load increases, the standby power supply will switch to Active state to provide sufficient power to the server.

Zero-output mode can be enabled or disabled in the XClarity Controller web interface, **Server Configuration > Power Policy**. If you select Disable, then both power supplies will be in the Active state.

**Supported with CRPS Premium only:** Zero-output mode is supported with CRPS Premium power supplies, but not with CRPS non-Premium power supplies

## Power cords (C13 connectors)

Line cords and rack power cables with C13 connectors can be ordered as listed in the following table.

**115V customers:** If you plan to use the 1300W power supply with a low-range (100-127V) power source, select a power cable that is rated above 10A. Power cables that are rated at 10A or below are not supported with low-range power.

Table 70. Power cords

Market/region	Part number	Feature code	Description	Top Choice Express
Rack cables - C13 to C14				

Market/region	Part number	Feature code	Description	Top Choice Express
Worldwide	4L67A08367	B0N5	1.0m, 13A/100-250V, C13 to C14 Jumper Cord	TCE
Worldwide	4L67A08368	B0N6	1.5m, 13A/100-250V, C13 to C14 Jumper Cord	TCE
Worldwide	4L67A08365	B0N4	2.0m, 10A/100-250V, C13 to C14 Jumper Cord	TCE
Worldwide	4L67A08369	6570	2.0m, 13A/100-250V, C13 to C14 Jumper Cord	TCE
Worldwide	4L67A08366	6311	2.8m, 10A/100-250V, C13 to C14 Jumper Cord	TCE
Worldwide	4L67A08370	6400	2.8m, 13A/100-250V, C13 to C14 Jumper Cord	TCE
Worldwide	4L67A08371	6583	4.3m, 13A/100-250V, C13 to C14 Rack Power Cable	TCE
Rack cables for India - C13 to C14				
India	4L67B10326	CC6R	2.0m, 10A/100-250V, C13 to C14 Jumper Cord (India)	Not TCE
India	4L67B10327	CC6S	2.8m, 10A/100-250V, C13 to C14 Jumper Cord (India)	TCE ⓘ
India	4L67B10328	CC6T	4.3m, 10A/100-250V, C13 to C14 Jumper Cord (India)	Not TCE
Line cords				
Taiwan	23R7158	6386	Line cord - 2.8m, 10A/125V, C13 to CNS 10917-3 (Taiwan)	TCE ⓘ
Taiwan	4L67A08363	AX8B	4.3m, 10A/125V, C13 to CNS 10917 (Taiwan) Line Cord	TCE ⓘ
US/Canada	4L67A08359	6370	4.3M, 10A/125V, C13 to NEMA 5-15P (US) Line Cord	TCE
US/Canada	4L67A08361	6373	4.3m, 10A/250V, C13 to NEMA 6-15P (US) Line Cord	TCE
US/Canada	4L67A08360	AX8A	4.3m, 13A/125V, C13 to NEMA 5-15P (US) Line Cord	TCE

### -48V DC power cord

For the -48V DC Power Supply, the following power cable is supported.

Table 71. -48V DC power cable

Part number	Feature code	Description
4L67A97438	C682	2.8m, 38A /-48V, -48V (3V3) Line Cord

The following figure shows the power cable.

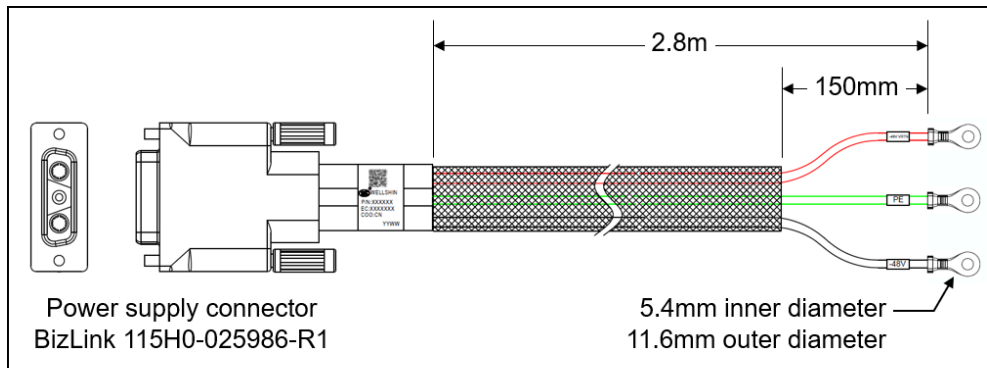


Figure 22. -48V DC power cord

### HVAC/HVDC power cord

For the HVDC Power Supply, the following power cable is supported.

Table 72. -48V DC power cable

Part number	Feature code	Description
4L67A97238	C683	2.8M, 10A/400V, HVDC Line Cord

The following figure shows the power cable.

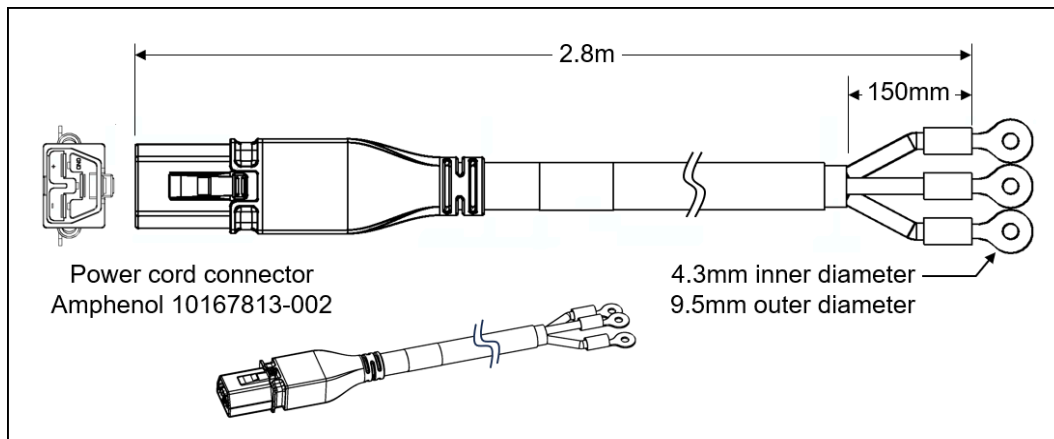


Figure 23. HVDC power cord

## Systems management

The SR630 V4 contains an integrated service processor, XClarity Controller 3 (XCC3), which provides advanced control, monitoring, and alerting functions. The XCC3 is based on an OpenBMC design, using the AST2600 baseboard management controller (BMC) with a dual-core ARM Cortex A7 32-bit RISC service processor running at 1.2 GHz.

Topics in this section:

- [System I/O Board \(DC-SCM\)](#)
- [Local management](#)
- [System status with XClarity Mobile](#)
- [Remote management](#)
- [Shared connectivity for remote management](#)
- [MicroSD for XCC local storage](#)
- [USB flash drive](#)
- [XCC3 Premier](#)
- [Lenovo XClarity Provisioning Manager](#)
- [Lenovo XClarity One](#)
- [Lenovo XClarity Administrator](#)
- [Lenovo XClarity Integrators](#)
- [Lenovo XClarity Essentials](#)
- [Lenovo XClarity Energy Manager](#)
- [Lenovo Capacity Planner](#)

### System I/O Board (DC-SCM)

The SR630 V4 implements a separate System I/O Board, also known as the DC-SCM (Data Center Secure Control Module, DCSCM), that connects to the system board as shown in the Internal view in the [Components and connectors](#) section. The System I/O Board contains connectors that are accessible from the exterior of the server as shown in the following figure.

**Note:** The NMI (non-maskable interrupt) button is no longer present on the board. Lenovo recommends using the NMI function that is part of the XCC user interfaces instead.

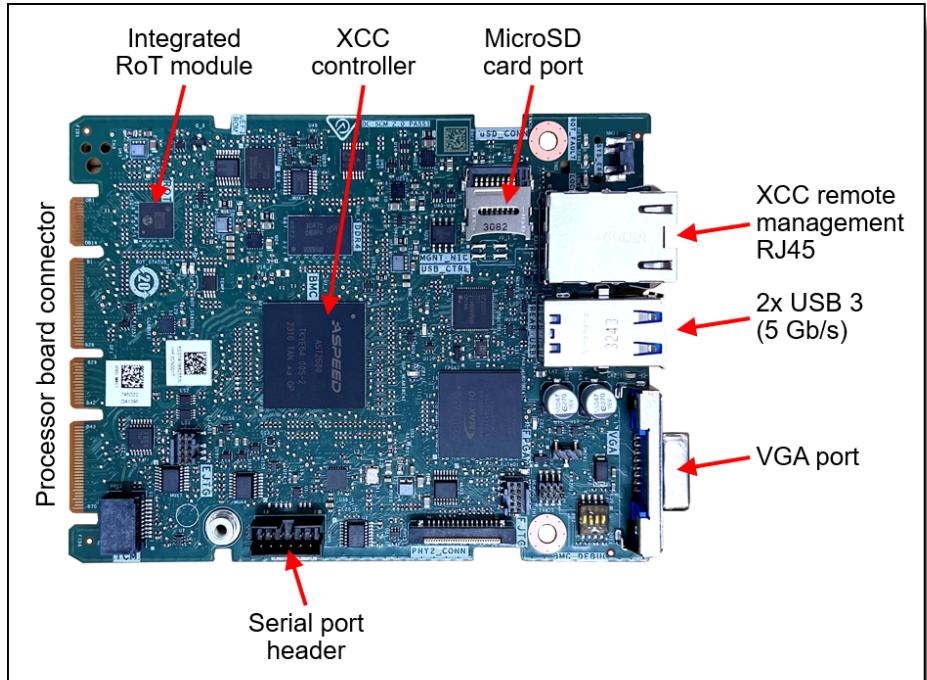


Figure 24. System I/O Board

The board also has the following components:

- XClarity Controller 3, implemented using the ASPEED AST2600 baseboard management controller (BMC).
- Root of Trust (RoT) module - implements Platform Firmware Resiliency (PFR) hardware Root of Trust (RoT) which enables the server to be NIST SP800-193 compliant. For more details about PFR, see the [Security](#) section.
- MicroSD card port to enable the use of a MicroSD card for additional storage for use with the XCC3 controller. XCC3 can use the storage as a Remote Disc on Card (RDOC) device (up to 4GB of storage). It can also be used to store firmware updates (including N-1 firmware history) for ease of deployment.

**Tip:** Without a MicroSD card installed, the XCC controller will have 100MB of available RDOC storage.

Ordering information for the supported Micro SD cards are listed in the [MicroSD for XCC local storage](#) section.

## Local management

The SR630 V4 offers a front operator panel with key LED status indicators, as shown in the following figure.

**Tip:** The Network LED only shows network activity of an installed OCP network adapter. The LED shows activity from both OCP adapters if two are installed.

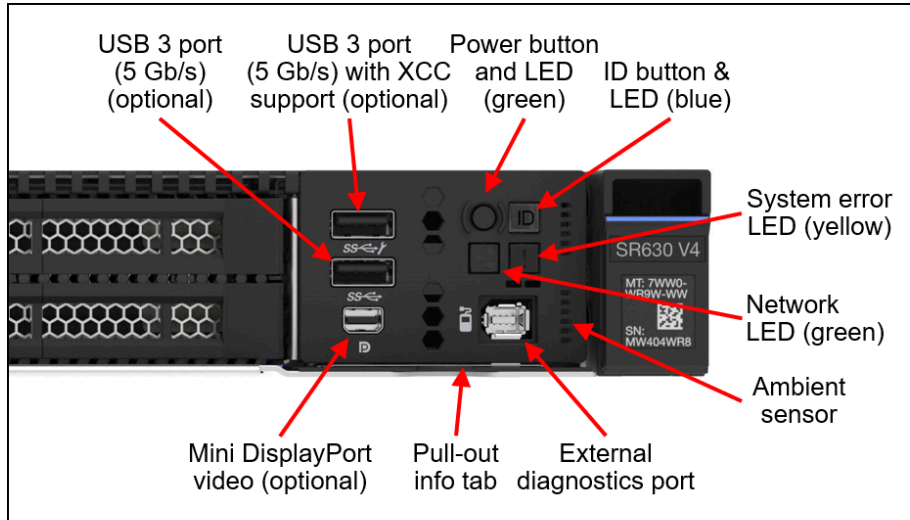


Figure 25. SR630 V4 Front operator panel

### Front DisplayPort video port and Front/Internal USB ports

The rear USB ports are standard on all models of the SR630 V4, however the front and internal USB ports are optional, and can be configured in the factory in CTO orders, or as field upgrades using option part numbers. Similarly, the rear VGA port is standard on all models, however a front MiniDP video port can be configured CTO or added as a field upgrade.

**Internal USB port:** The internal USB port supports USB drives that have an overall length of less than 30mm. See the [USB flash drive](#) section for the supported drive.

For CTO orders, the feature codes are listed in the following table.

Table 73. CTO orders - Front & internal ports

Feature code	Description	Top Choice Express	Purpose
C1YP	ThinkSystem 1U V4 Standard Media Bay	TCE	No front USB ports, no internal USB port (cannot select C1YR)
C1YR	ThinkSystem 1U/2U V4 USB Ports Extension Board	TCE	Provides the Internal USB 3 port (5 Gb/s)
C1YQ*	ThinkSystem 1U V4 Media Bay with 2xUSB and 1xMini-DP ports	TCE	Provides the 2x Front USB 3 ports (5 Gb/s) and MiniDP 1.1a port

\* Feature C1YR must also be selected

Configuration rules:

- The Front USB ports and MiniDP (C1YQ) requires that the Internal USB port (C1YR) also be selected

- For CTO orders to select feature C1YQ, you will need to deselect feature C1YP
- Feature C1YQ is required to use XClarity Mobile, as described in the [System status with XClarity Mobile](#) section.
- Feature C1YQ is not supported with E3.S drive bay configurations

For field upgrades, the part numbers listed in the following table are available.

Table 74. Local management

Part number	Description	Purpose
4X97A96850	ThinkSystem 1U/2U V4 Front Media Bay Option kit <ul style="list-style-type: none"> <li>• USB I/O board with Internal USB port</li> <li>• Front media bezel with USB ports and MiniDP port</li> </ul>	Adds Internal USB 3 port (5 Gb/s), 2x Front USB 3 ports (5 Gb/s), MiniDP 1.1a video port
4XF7A99087	ThinkSystem V4 Internal USB I/O Board Option kit <ul style="list-style-type: none"> <li>• USB I/O board with Internal USB port</li> </ul>	Adds Internal USB 3 port (5 Gb/s) only. See the <a href="#">USB flash drive</a> section for supported USB drives.

Configuration notes for field upgrades:

- If you order ThinkSystem 1U/2U V4 Front Media Bay Option kit for use in a server that already has the internal USB port installed (feature C1YR), the USB I/O board from the kit will not be needed as it is a duplicate of what is already installed.
- ThinkSystem 1U/2U V4 Front Media Bay Option kit is required to use XClarity Mobile, as described in the [System status with XClarity Mobile](#) section.
- ThinkSystem 1U/2U V4 Front Media Bay Option kit is not supported with E3.S drive bay configurations

### External Diagnostics port

The SR630 V4 includes a port to connect an External Diagnostics Handset. The External Diagnostics Handset has the same functions as the Integrated Diagnostics Panel but has the advantages of not consuming space on the front of the server plus it can be shared among many servers in your data center. The handset has a magnet on the back of it to allow you to easily mount it on a convenient place on any rack cabinet.

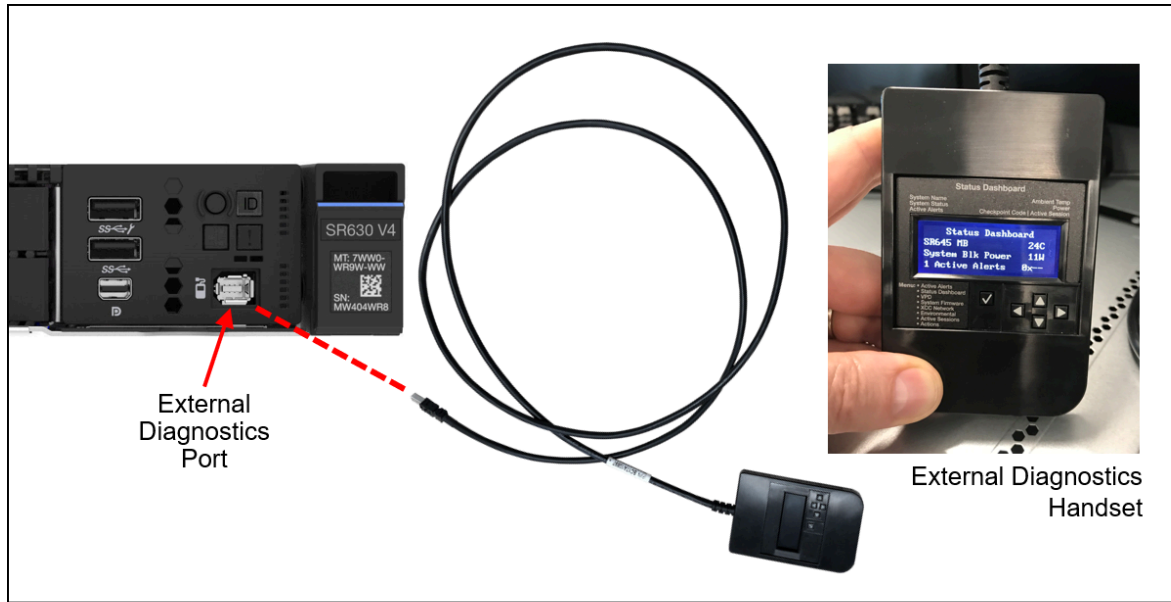


Figure 26. SR630 V4 External Diagnostics Handset

The External Diagnostics Handset allows quick access to system status, firmware, network, and health information. The LCD display on the unit and the function buttons give you access to the following information:

- Active alerts
- Status Dashboard
- System VPD: machine type & mode, serial number, UUID string
- System firmware levels: UEFI and XCC firmware
- XCC network information: hostname, MAC address, IP address, DNS addresses
- Environmental data: Ambient temperature, CPU temperature, AC input voltage, estimated power consumption
- Active XCC sessions
- System reset action

The port itself is standard in all models, however the handset is a separate orderable component. Ordering information for the handset is listed in the following table.

Table 75. External Diagnostics Handset ordering information

Part number	Feature code	Description	Top Choice Express
4TA7A64874	BEUX	ThinkSystem External Diagnostics Handset	Not TCE

### Information pull-out tab

The front of the server also houses an information pull-out tab (also known as the network access tag). See [Figure 2](#) for the location. A label on the tab shows the network information (MAC address and other data) to remotely access the service processor.

### Light path diagnostics

The server offers light path diagnostics. If an environmental condition exceeds a threshold or if a system component fails, the XCC lights LEDs inside the server to help you diagnose the problem and find the failing

part.


The server has fault LEDs next to the following components:

- Each memory DIMM
- Each drive bay
- Each power supply

### System status with XClarity Mobile

The XClarity Mobile app includes a tethering function where you can connect your Android or iOS device to the server via USB to see the status of the server.

The steps to connect the mobile device are as follows:

1. In the XCC web interface, set the USB mode to **Shared mode: Owned by BMC**
2. Connect the mobile device via a USB cable to the server's USB port with the management symbol 
3. In iOS or Android settings, enable Personal Hotspot or USB Tethering
4. Launch the Lenovo XClarity Mobile app

Once connected you can see the following information:

- Server status including error logs (read only, no login required)
- Server management functions (XClarity login credentials required)

Configuration notes:

- The use of XClarity Mobile requires front USB ports. If your server doesn't already include front USB ports, order the field upgrade ThinkSystem 1U/2U V4 Front Media Bay Option kit (4X97A96850) as described in the [Local management](#) section
- XClarity Mobile cannot be used with E3.S drive configurations, since these configurations don't support the front USB port

### Remote management

The server offers a dedicated RJ45 Ethernet port at the rear of the server for remote management via the XClarity Controller management processor. The port supports 10/100/1000 Mbps speeds.

Remote server management is provided through industry-standard interfaces:

- Intelligent Platform Management Interface (IPMI) Version 2.0
- Simple Network Management Protocol (SNMP) Version 3 (no SET commands; no SNMP v1)
- Common Information Model (CIM-XML)
- Representational State Transfer (REST) support
- Redfish support (DMTF compliant)
- Web browser - HTML 5-based browser interface (Java and ActiveX not required) using a responsive design (content optimized for device being used - laptop, tablet, phone) with NLS support

IPMI via the Ethernet port (IPMI over LAN) is supported, however it is disabled by default. For CTO orders you can specify whether you want the feature enabled or disabled in the factory, using the feature codes listed in the following table.

Table 76. IPMI-over-LAN settings

Feature code	Description	Top Choice Express
B7XZ	Disable IPMI-over-LAN (default)	TCE
B7Y0	Enable IPMI-over-LAN	TCE

### Shared connectivity for remote management

To reduce the number of Ethernet connections needed for remote management, the SR630 V4 supports an adapter that installs in the OCP slot that allows four servers to share the one Ethernet connection. The adapter implements a 5-port Gigabit switch based on the Microchip KSZ9896 switch chip. Ordering information is listed in the following table.

Table 77. 4-to-1 Management Port Consolidation Adapter

Part number	Feature code	Description
4XC7A90299	BZGE	ThinkSystem OCP 4 to 1 Management Port Consolidation Adapter  Contains: <ul style="list-style-type: none"> <li>• 1x OCP adapter</li> <li>• 2x 0.45m blue Cat5e cable</li> <li>• 1x 0.25m blue Cat5e cable</li> </ul>

The adapter has four RJ45 ports. One port of the adapter connects to the local remote management port and the other three adapter ports connect to the remote management ports of three nearby servers. Either the included short Cat5e cables can be used or customer-supplied Cat5e Ethernet cables can be used.

Configuration notes:

- The adapter is only supported in OCP slot 1
- When the adapter is installed in slot 1, OCP slot 2 is disabled and cannot be used
- The OCP slot in the other three servers can be used for network connectivity, if desired.
- On the server with the adapter installed, in System Setup (F1 at boot), change **BMC settings > Network Settings > Network Interface port to Uplink MAC**.
- The connected servers can be any mix of servers that support the adapter. They do not all have to be SR630 V4 servers, for example.

For more information, see [https://pubs.lenovo.com/sr630-v4/multi-server\\_configuration](https://pubs.lenovo.com/sr630-v4/multi-server_configuration)

### MicroSD for XCC local storage

The server includes a MicroSD card port to enable the use of a MicroSD card for additional storage for use with the XCC controller. XCC can use the storage as a Remote Disc on Card (RDOC) device (up to 4GB of storage). It can also be used to store firmware updates (including N-1 firmware history) for ease of deployment.

**Tip:** Without a MicroSD card installed, the XCC controller will have 100MB of available RDOC storage.

Ordering information for the supported Micro SD cards is listed in the following table.

Table 78. Media for use with the MicroSD card port

Part number	Feature code	Description
4X77A92672	C0BC	ThinkSystem MicroSD 64GB Class 10 Flash Memory Card

### USB flash drive

For general portable storage needs, the server also supports the USB flash drive option that is listed in the following table.

Table 79. USB memory key

Part number	Feature	Description	Top Choice Express
4X77A95465	C44Q	ThinkSystem USB 64GB USB 3.0 Flash Drive	Not TCE

### XCC3 Premier

The XCC3 service processor in the SR630 V4 supports an upgrade to the Premier level of features. XCC3 Premier in ThinkSystem V4 servers is equivalent to the XCC2 Premium offering in ThinkSystem V3 servers.

XCC3 Premier adds the following functions:

- System Guard - Monitor hardware inventory for unexpected component changes, and simply log the event or prevent booting
- Neighbor Group - Enables administrators to manage and synchronize configurations and firmware level across multiple servers
- Syslog alerting
- Lenovo SED security key management
- Boot video capture and crash video capture
- Virtual console collaboration - Ability for up to 6 remote users to be log into the remote session simultaneously
- Remote console Java client
- System utilization data and graphic view
- Single sign on with Lenovo XClarity Administrator
- Update firmware from a repository
- Enterprise Strict Security mode - Enforces CNSA 1.0 level security
- Remotely viewing video with graphics resolutions up to 1600x1200 at 75 Hz with up to 23 bits per pixel, regardless of the system state
- Remotely accessing the server using the keyboard and mouse from a remote client
- International keyboard mapping support
- Redirecting serial console via SSH
- Component replacement log (Maintenance History log)
- Access restriction (IP address blocking)
- Displaying graphics for real-time and historical power usage data and temperature
- Mapping the ISO and image files located on the local client as virtual drives for use by the server
- Mounting the remote ISO and image files via HTTPS, SFTP, CIFS, and NFS
- Power capping
- License for XClarity Energy Manager

Ordering information is listed in the following table. XCC3 Premier is a software license upgrade - no additional hardware is required.

Table 80. XCC3 Premier license upgrade

Part number	Feature code	Description
7S0X000XWW	SCY0	Lenovo XClarity Controller 3 (XCC3) Premier

With XCC3 Premier, for CTO orders, you can request that System Guard be enabled in the factory and the first configuration snapshot be recorded. To add this to an order, select feature code listed in the following table. The selection is made in the Security tab of the configurator.

Table 81. Enable System Guard in the factory (CTO orders)

Feature code	Description	Top Choice Express
BUT2	Install System Guard	TCE

For more information about System Guard, see [https://pubs.lenovo.com/xcc2/NN1ia\\_c\\_systemguard](https://pubs.lenovo.com/xcc2/NN1ia_c_systemguard)

### Lenovo XClarity Provisioning Manager

Lenovo XClarity Provisioning Manager (LXPM) is a UEFI-based application embedded in ThinkSystem servers and accessible via the F1 key during system boot.

LXPM provides the following functions:

- Graphical UEFI Setup
- System inventory information and VPD update
- System firmware updates (UEFI and XCC)
- RAID setup wizard
- OS installation wizard (including unattended OS installation)
- Diagnostics functions

### Lenovo XClarity One

Lenovo XClarity One is a hybrid cloud-based unified Management-as-a-Service (MaaS) platform, built for growing enterprises. XClarity One is powered by Lenovo Smarter Support, a powerful AI-driven platform that leverages predictive analytics to enhance the performance, reliability, and overall efficiency of Lenovo servers.

XClarity One is the next milestone in Lenovo’s portfolio of systems management products. Now you can leverage the benefits of a true next-generation, hybrid cloud-based solution for the deployment, management, and maintenance of your infrastructure through a single, centralized platform that delivers a consistent user experience across all Lenovo products.

Key features include:

- **AI-powered Automation**

Harnesses the power of AI and predictive analytics to enhance the performance and reliability of your infrastructure with proactive protection.

- **AI-Powered Predictive Failure Analytics** - predict maintenance needs before the failure occurs, with the ability to visualize aggregated actions in customer dashboard.
- **AI-Powered Call-Home** - A Call-Home serviceable event opens a support ticket automatically, leveraging AI technology for problem determination and fast resolution.
- **AI-Powered Premier Support with Auto CRU** - uses AI to automatically dispatch parts and services, reducing service costs and minimizing downtime.

- **Secure Management Hub**

Lenovo's proprietary Management Hub is an on-premises virtual appliance that acts as the bridge between your infrastructure and the cloud.

- **On-Premises Security with Cloud Flexibility** - your infrastructure has no direct connection to the cloud, greatly reducing your attack surface from external threats while still having the deployment benefits, flexibility, and scalability of a cloud solution.
- **Authentication and Authorization** - built on a Zero Trust Architecture and requiring OTP Application authentication for all users to handle the support of all customers' servers and client devices. Role-based access controls help define and restrict permissions based on user roles.

- **AI-Powered Management**

Go beyond standard system management leveraging AI algorithms to continuously learn from data patterns to optimize performance and predict potential issues before they impact operations.

- **AI Customizable Insights and Reporting** - Customize AI-generated insights and reports to align with specific business objectives, enabling data-driven decision-making and strategic planning.
- **AI-driven scalability and flexibility** - Guided with AI-driven predictions, the platform supports dynamic scaling of resources based on workload demands.
- **Monitor and Change** - AI Advanced analytics capabilities providing deep insights into server performance, resource utilization, and security threats, to detect anomalies and suggest optimizations in real-time. NLP capabilities enabling administrators to interact with the platform using voice commands or text queries.
- **Upward Integration** - Integrated with Lenovo Open Cloud Automation (LOC-A) and AIOps engines, providing an end-to-end management architecture across Lenovo infrastructure and devices solutions.
- **Cross-Platform Compatibility** - Compatibility across different server types and cloud environments

Lenovo XClarity One is an optional management component. License information for XClarity One is listed in the following table.

Table 82. XClarity One license information

Part number	Feature code	Description
Subscription license		
7S0X000LWW	SCJC	XClarity One - Standard, Per Endpoint w/1 Yr SW S&S
7S0X000MWW	SCJD	XClarity One - Standard, Per Endpoint w/3 Yr SW S&S
7S0X000NWW	SCJE	XClarity One - Standard, Per Endpoint w/5 Yr SW S&S

For more information, see these resources:

- Lenovo XClarity One datasheet:  
<https://lenovopress.lenovo.com/ds0188-lenovo-xclarity-one>
- Lenovo XClarity One product guide:  
<https://lenovopress.lenovo.com/lp1992-lenovo-xclarity-one>

### Lenovo XClarity Administrator

Lenovo XClarity Administrator is a centralized resource management solution designed to reduce complexity, speed response, and enhance the availability of Lenovo systems and solutions. It provides agent-free hardware management for ThinkSystem servers. The administration dashboard is based on HTML 5 and allows fast location of resources so tasks can be run quickly.

Because Lenovo XClarity Administrator does not require any agent software to be installed on the managed endpoints, there are no CPU cycles spent on agent execution, and no memory is used, which means that up to 1GB of RAM and 1 - 2% CPU usage is saved, compared to a typical managed system where an agent is required.

Lenovo XClarity Administrator is an optional software component for the SR630 V4. The software can be downloaded and used at no charge to discover and monitor the SR630 V4 and to manage firmware upgrades.

If software support is required for Lenovo XClarity Administrator, or premium features such as configuration management and operating system deployment are required, Lenovo XClarity Pro software subscription should be ordered. Lenovo XClarity Pro is licensed on a per managed system basis, that is, each managed Lenovo system requires a license.

The following table lists the Lenovo XClarity software license options.

Table 83. Lenovo XClarity Pro ordering information

Part number	Feature code	Description
00MT201	1339	Lenovo XClarity Pro, per Managed Endpoint w/1 Yr SW S&S
00MT202	1340	Lenovo XClarity Pro, per Managed Endpoint w/3 Yr SW S&S
00MT203	1341	Lenovo XClarity Pro, per Managed Endpoint w/5 Yr SW S&S
7S0X000HWW	SAYV	Lenovo XClarity Pro, per Managed Endpoint w/6 Yr SW S&S
7S0X000JWW	SAYW	Lenovo XClarity Pro, per Managed Endpoint w/7 Yr SW S&S

Lenovo XClarity Administrator offers the following standard features that are available at no charge:

- Auto-discovery and monitoring of Lenovo systems
- Firmware updates and compliance enforcement
- External alerts and notifications via SNMP traps, syslog remote logging, and e-mail
- Secure connections to managed endpoints
- NIST 800-131A or FIPS 140-3 compliant cryptographic standards between the management solution and managed endpoints
- Integration into existing higher-level management systems such as cloud automation and orchestration tools through REST APIs, providing extensive external visibility and control over hardware resources
- An intuitive, easy-to-use GUI
- Scripting with Windows PowerShell, providing command-line visibility and control over hardware resources

Lenovo XClarity Administrator offers the following premium features that require an optional Pro license:

- Pattern-based configuration management that allows to define configurations once and apply repeatedly without errors when deploying new servers or redeploying existing servers without disrupting the fabric
- Bare-metal deployment of operating systems and hypervisors to streamline infrastructure provisioning

For more information, refer to the Lenovo XClarity Administrator Product Guide:

<http://lenovopress.com/tips1200>

## Lenovo XClarity Integrators

Lenovo also offers software plug-in modules, Lenovo XClarity Integrators, to manage physical infrastructure from leading external virtualization management software tools including those from Microsoft and VMware.

These integrators are offered at no charge, however if software support is required, a Lenovo XClarity Pro software subscription license should be ordered.

Lenovo XClarity Integrators offer the following additional features:

- Ability to discover, manage, and monitor Lenovo server hardware from VMware vCenter or Microsoft System Center
- Deployment of firmware updates and configuration patterns to Lenovo x86 [rack servers](#) and Flex System from the virtualization management tool
- Non-disruptive server maintenance in clustered environments that reduces workload downtime by dynamically migrating workloads from affected hosts during rolling server updates or reboots
- Greater service level uptime and assurance in clustered environments during unplanned hardware events by dynamically triggering workload migration from impacted hosts when impending hardware failures are predicted

For more information about all the available Lenovo XClarity Integrators, see the Lenovo XClarity Administrator Product Guide: <https://lenovopress.com/tips1200-lenovo-xclarity-administrator>

## Lenovo XClarity Essentials

Lenovo offers the following XClarity Essentials software tools that can help you set up, use, and maintain the server at no additional cost:

- **Lenovo Essentials OneCLI**  
OneCLI is a collection of server management tools that uses a command line interface program to manage firmware, hardware, and operating systems. It provides functions to collect full system health information (including health status), configure system settings, and update system firmware and drivers.
- **Lenovo Essentials UpdateXpress**  
The UpdateXpress tool is a standalone GUI application for firmware and device driver updates that enables you to maintain your server firmware and device drivers up-to-date and help you avoid unnecessary server outages. The tool acquires and deploys individual updates and UpdateXpress System Packs (UXSPs) which are integration-tested bundles.
- **Lenovo Essentials Bootable Media Creator**  
The Bootable Media Creator (BOMC) tool is used to create bootable media for offline firmware update.

**ThinkSystem V4 servers:** The format of UEFI and BMC settings has changed for ThinkSystem V4 servers, to align with OpenBMC and Redfish requirements. See the documentation of these tools for details. As a result, the following versions are required for these servers:

- OneCLI 5.x or later
- UpdateXpress 5.x or later
- BOMC 14.x or later

For more information and downloads, visit the Lenovo XClarity Essentials web page: <http://support.lenovo.com/us/en/documents/LNVO-center>

## Lenovo XClarity Energy Manager

Lenovo XClarity Energy Manager (LXEM) is a power and temperature management solution for data centers. It is an agent-free, web-based console that enables you to monitor and manage power consumption and temperature in your data center through the management console. It enables server density and data center capacity to be increased through the use of power capping.

LXEM is a licensed product. A single-node LXEM license is included with the XClarity Controller Premier upgrade as described in the [XCC3 Premier](#) section. If your server does not have the XCC Premier upgrade, Energy Manager licenses can be ordered as shown in the following table.

Table 84. Lenovo XClarity Energy Manager

Part number	Description
4L40E51621	Lenovo XClarity Energy Manager Node License (1 license needed per server)

For more information about XClarity Energy Manager, see the following resources:

- Lenovo Support page:  
<https://datacentersupport.lenovo.com/us/en/solutions/Invo-lxem>
- User Guide for XClarity Energy Manager:  
<https://pubs.lenovo.com/lxem/>

## Lenovo Capacity Planner

Lenovo Capacity Planner is a power consumption evaluation tool that enhances data center planning by enabling IT administrators and pre-sales professionals to understand various power characteristics of racks, servers, and other devices. Capacity Planner can dynamically calculate the power consumption, current, British Thermal Unit (BTU), and volt-ampere (VA) rating at the rack level, improving the planning efficiency for large scale deployments.

For more information, refer to the Capacity Planner web page:  
<http://datacentersupport.lenovo.com/us/en/solutions/Invo-lcp>

## Security

Topics in this section:

- [Security features](#)
- [Platform Firmware Resiliency - Lenovo ThinkShield](#)
- [Security standards](#)

### Security features

The SR630 V4 server offers the following electronic security features:

- Secure Boot function of the Intel Xeon processor
- Support for Platform Firmware Resiliency (PFR) hardware Root of Trust (RoT) - see the [Platform Firmware Resiliency](#) section
- Firmware signature processes compliant with FIPS and NIST requirements
- System Guard (part of [XCC3 Premier](#)) - Proactive monitoring of hardware inventory for unexpected component changes
- Administrator and power-on password
- Integrated Trusted Platform Module (TPM) supporting TPM 2.0
- For China users, optional Nationz TPM 2.0 module
- Self-encrypting drives (SEDs) with support for enterprise key managers - see the [SED encryption key management](#) section

The server is NIST SP 800-147B compliant.

The SR630 V4 server also offers the following optional physical security features:

- Optional chassis intrusion switch
- Optional lockable front security bezel

The optional lockable front security bezel is shown in the following figure and includes a key that enables you to secure the bezel over the drives and system controls thereby reducing the chance of unauthorized or accidental access to the server.



Figure 27. Lockable front security bezel

The dimensions of the security bezel are:

- Width: 435 mm (17.1 in.)
- Height: 40 mm (1.6 in.)
- Width: 30 mm (1.2 in.)

The following table lists the security options for the SR630 V4.

Table 85. Security features

Part number	Feature code	Description	Top Choice Express
4X97A96849	C21F	ThinkSystem SR630 V4 Intrusion Cable kit	TCE
4XH7A96847	C1Z1	ThinkSystem SR630 V4 Bezel Option Kit	TCE
CTO only	C1YL	ThinkSystem V4 PRC NationZ TPM 2.0 Module	Not TCE

### Platform Firmware Resiliency - Lenovo ThinkShield

Lenovo's ThinkShield Security is a transparent and comprehensive approach to security that extends to all dimensions of our data center products: from development, to supply chain, and through the entire product lifecycle.

The ThinkSystem SR630 V4 includes Platform Firmware Resiliency (PFR) hardware Root of Trust (RoT) which enables the system to be NIST SP800-193 compliant. This offering further enhances key platform subsystem protections against unauthorized firmware updates and corruption, to restore firmware to an integral state, and to closely monitor firmware for possible compromise from cyber-attacks.

PFR operates upon the following server components:

- UEFI image – the low-level server firmware that connects the operating system to the server hardware
- XCC image – the management “engine” software that controls and reports on the server status separate from the server operating system
- FPGA image – the code that runs the server’s lowest level hardware controller on the motherboard

The Lenovo Platform Root of Trust Hardware performs the following three main functions:

- Detection – Measures the firmware and updates for authenticity
- Recovery – Recovers a corrupted image to a known-safe image
- Protection – Monitors the system to ensure the known-good firmware is not maliciously written

These enhanced protection capabilities are implemented using a dedicated, discrete security processor

whose implementation has been rigorously validated by leading third-party security firms. Security evaluation results and design details are available for customer review – providing unprecedented transparency and assurance.

The SR630 V4 includes support for Secure Boot, a UEFI firmware security feature developed by the UEFI Consortium that ensures only immutable and signed software are loaded during the boot time. The use of Secure Boot helps prevent malicious code from being loaded and helps prevent attacks, such as the installation of rootkits. Lenovo offers the capability to enable secure boot in the factory, to ensure end-to-end protection. Alternatively, Secure Boot can be left disabled in the factory, allowing the customer to enable it themselves at a later point, if desired.

The following table lists the relevant feature code(s).

Table 86. Secure Boot options

Part number	Feature code	Description	Top Choice Express	Purpose
CTO only	BPKQ	TPM 2.0 with Secure Boot	TCE	Configure the system in the factory with Secure Boot enabled.
CTO only	BPKR	TPM 2.0	TCE	Configure the system without Secure Boot enabled. Customers can enable Secure Boot later if desired.

**Tip:** If Secure Boot is not enabled in the factory, it can be enabled later by the customer. However once Secure Boot is enabled, it cannot be disabled.

## Security standards

The SR630 V4 supports the following security standards and capabilities:

- **Industry Standard Security Capabilities**
  - Intel CPU Enablement
    - Intel Trust Domain Extensions (Intel TDX)
    - Intel Crypto Acceleration
    - Intel QuickAssist Software Acceleration
    - Intel Platform Firmware Resilience Support
    - Intel Control-Flow Enforcement Technology
    - Intel Total Memory Encryption - Multi Key
    - Intel Total Memory Encryption
    - Intel AES New Instructions (AES-NI)
    - Intel OS Guard
    - Execute Disable Bit (XD)
    - Intel Boot Guard
    - Mode-based Execute Control (MBEC)
    - Intel Virtualization Technology (VT-x)
    - Intel Virtualization Technology for Directed I/O (VT-d)
  - Microsoft Windows Security Enablement
    - Credential Guard
    - Device Guard
    - Host Guardian Service
  - TPM 2.0 (Trusted Platform Module 2.0)
  - UEFI (Unified Extensible Firmware Interface) Forum Secure Boot
- **Hardware Root of Trust and Security**

- Independent security subsystem providing platform-wide NIST SP800-193 compliant Platform Firmware Resilience (PFR)
- Management domain RoT provided by the Secure Boot feature of the AST2600 Baseboard Management Controller (BMC)

- **Platform Security**

- Boot and run-time firmware integrity monitoring with rollback to known-good firmware (e.g., “self-healing”)
- Non-volatile storage bus security monitoring and filtering
- Resilient firmware implementation, such as to detect and defeat unauthorized flash writes or SMM (System Management Mode) memory incursions
- Patented IPMI KCS channel privileged access authorization (USPTO Patent# 11,256,810)
- Host and management domain authorization, including integration with CyberArk for enterprise password management
- KMIP (Key Management Interoperability Protocol) compliant, including support for IBM SKLM and Thales KeySecure
- Reduced “out of box” attack surface
- Configurable network services
- FIPS 140-3 (in progress) validated cryptography for XCC
- CNSA Suite 1.0 Quantum-resistant cryptography for XCC
- Lenovo System Guard

For more information on platform security, see the paper “How to Harden the Security of your ThinkSystem Server and Management Applications” available from <https://lenovopress.com/lp1260-how-to-harden-the-security-of-your-thinksystem-server>.

- **Standards Compliance and/or Support**

- NIST SP800-131A rev 2 “Transitioning the Use of Cryptographic Algorithms and Key Lengths”
- NIST SP800-147B “BIOS Protection Guidelines for Servers”
- NIST SP800-193 “Platform Firmware Resiliency Guidelines”
- ISO/IEC 11889 “Trusted Platform Module Library”
- Common Criteria TCG Protection Profile for “PC Client Specific TPM 2.0”
- European Union Commission Regulation 2019/424 (“ErP Lot 9”) “Ecodesign Requirements for Servers and Data Storage Products” Secure Data Deletion
- Optional FIPS 140-2 validated Self-Encrypting Disks (SEDs) with external KMIP-based key management

- **Product and Supply Chain Security**

- Suppliers validated through Lenovo’s Trusted Supplier Program
- Developed in accordance with Lenovo’s Secure Development Lifecycle (LSDL)
- Continuous firmware security validation through automated testing, including static code analysis, dynamic network and web vulnerability testing, software composition analysis, and subsystem-specific testing, such as UEFI security configuration validation
- Ongoing security reviews by US-based security experts, with attestation letters available from our third-party security partners
- Digitally signed firmware, stored and built on US-based infrastructure and signed on US-based Hardware Security Modules (HSMs)
- TAA (Trade Agreements Act) compliant manufacturing, by default in Mexico for North American markets with additional US and EU manufacturing options

- US 2019 NDAA (National Defense Authorization Act) Section 889 compliant

## Rack installation

The following table lists the rack installation options that are available for the SR630 V4.

### Long Travel rail kits:

- SR630 V4 configurations with E3.S drives **only** support the Long Travel rail kits
- SR630 V4 configurations with 2.5-inch drives **do not** support the Long Travel rail kits

For supported racks, see the [Rack cabinets](#) section.

Table 87. Rack installation options

Part number	Feature Code	Description	Top Choice Express	CMA support
Rail kits for servers with 2.5-inch drive bays (base C1XE)				
4XF7A97379	C2DG	ThinkSystem Toolless Friction Rail V4	Not TCE	No support
4XF7A97370	C2DH	ThinkSystem Toolless Slide Rail Kit V4	TCE	Optional - 7M27A05699
4XF7A97373	C2DL	ThinkSystem Toolless Slide Rail Kit V4 with 1U CMA	TCE	Included
4XF7A97371	C2DJ	ThinkSystem Advanced Toolless Slide Rail Kit V4	Not TCE	Optional - 7M27A05699
4XF7A97375	C2DM	ThinkSystem Advanced Toolless Slide Rail Kit V4 with 1U CMA	Not TCE	Included
Rail kits for servers with E3.S drive bays (base C1XG)				
4XF7A97372	C2DK	ThinkSystem Long Travel Toolless Slide Rail Kit V4	TCE ⓘ	Optional - 4XF7A97380
4XF7A97377	C2DF	ThinkSystem Long Travel Toolless Slide Rail Kit V4 with 1U CMA	Not TCE	Included
Cable management arm for field upgrades only (for CTO orders, use one of the above kits where the CMA is included)				
4XF7A97380	-	ThinkSystem Long Travel 1U CMA Upgrade Kit (to add a CMA to 4XF7A97372 only)	-	Yes
7M27A05699	-	ThinkSystem 1U CMA Upgrade Kit for Toolless Slide Rail (to add a CMA to 4XF7A97370 or 4XF7A97371 only)	-	Yes

See the Rail Kit comparison for the specifications of each rail kit:  
<https://lenovopress.lenovo.com/lp1838-thinksystem-and-thinkedge-rail-kit-reference#availability=Available&sr630-v4-support=SR630%2520V4>

**Tip:** The Advanced rail kits add support for threaded mounting holes.

## Operating system support

The SR630 V4 using Intel Xeon 6 processors with P-cores supports the following operating systems:

- Microsoft Windows Server 2022
- Microsoft Windows Server 2025
- Red Hat Enterprise Linux 9.4
- Red Hat Enterprise Linux 9.5
- Red Hat Enterprise Linux 9.6
- Red Hat Enterprise Linux 9.7
- Red Hat Enterprise Linux 10.0
- Red Hat Enterprise Linux 10.1
- SUSE Linux Enterprise Server 15 SP6
- SUSE Linux Enterprise Server 15 SP7
- SUSE Linux Enterprise Server 16
- Ubuntu 22.04 LTS 64-bit
- Ubuntu 24.04 LTS 64-bit
- VMware ESXi 8.0 U3
- VMware ESXi 9.0

The SR630 V4 using Intel Xeon 6 processors with E-cores supports the following operating systems:

- Microsoft Windows Server 2022
- Microsoft Windows Server 2025
- Red Hat Enterprise Linux 9.4
- Red Hat Enterprise Linux 9.6
- Red Hat Enterprise Linux 9.7
- Red Hat Enterprise Linux 10.0
- Red Hat Enterprise Linux 10.1
- SUSE Linux Enterprise Server 15 SP6
- SUSE Linux Enterprise Server 15 SP7
- SUSE Linux Enterprise Server 16
- Ubuntu 24.04 LTS 64-bit

For a complete list of supported, certified and tested operating systems, plus additional details and links to relevant web sites, see the Operating System Interoperability Guide: <https://lenovopress.lenovo.com/osig>

- SR630 V4 using Intel Xeon 6 processors with P-cores:  
<https://lenovopress.lenovo.com/osig#servers=sr630-v4-xeon-6-p-cores-7dg8-7dg9&support=all>
- SR630 V4 using Intel Xeon 6 processors with E-cores:  
<https://lenovopress.lenovo.com/osig#servers=sr630-v4-xeon-6-e-cores-7dg8-7dg9&support=all>

For configure-to-order configurations, the SR630 V4 can be preloaded with VMware ESXi. Ordering information is listed in the following table.

Table 88. VMware ESXi preload

Part number	Feature code	Description	Top Choice Express
CTO only	BZ97	VMware ESXi 8.0 U3 (Factory Installed)	TCE
CTO only	C91V	VMware ESXi 9.0 (Factory Installed)	TCE

Configuration rule:

- An ESXi preload cannot be selected if the configuration includes an NVIDIA GPU (ESXi preload cannot include the NVIDIA driver)

You can download supported VMware vSphere hypervisor images from the following web page and install it using the instructions provided:  
[https://vmware.lenovo.com/content/custom\\_iso/](https://vmware.lenovo.com/content/custom_iso/)

## Physical and electrical specifications

The SR630 V4 has the following overall physical dimensions, excluding components that extend outside the standard chassis, such as EIA flanges, front security bezel (if any), and power supply handles:

- Width: 440 mm (17.3 inches)
- Height: 43 mm (1.7 inches)
- Depth:
  - With 2.5-inch drives: 788 mm (31 inches)
  - With E3.S drives: 845 mm (33.2 inches)

The following table lists the detailed dimensions. See the figure below for the definition of each dimension.

Table 89. Detailed dimensions

2.5-inch chassis	E3.S chassis	Description
482 mm		$X_a$ = Width, to the outsides of the front EIA flanges
435 mm		$X_b$ = Width, to the rack rail mating surfaces
440 mm		$X_c$ = Width, to the outer most chassis body feature
43 mm		$Y_a$ = Height, from the bottom of chassis to the top of the chassis
744 mm	801 mm	$Z_a$ = Depth, from the rack flange mating surface to the rearmost I/O port surface
752 mm	809 mm	$Z_b$ = Depth, from the rack flange mating surface to the rearmost feature of the chassis body
773 mm	830 mm	$Z_c$ = Depth, from the rack flange mating surface to the rearmost feature such as power supply handle
36 mm		$Z_d$ = Depth, from the forwardmost feature on front of EIA flange to the rack flange mating surface
51 mm		$Z_e$ = Depth, from the front of security bezel (if applicable) or forwardmost feature to the rack flange mating surface

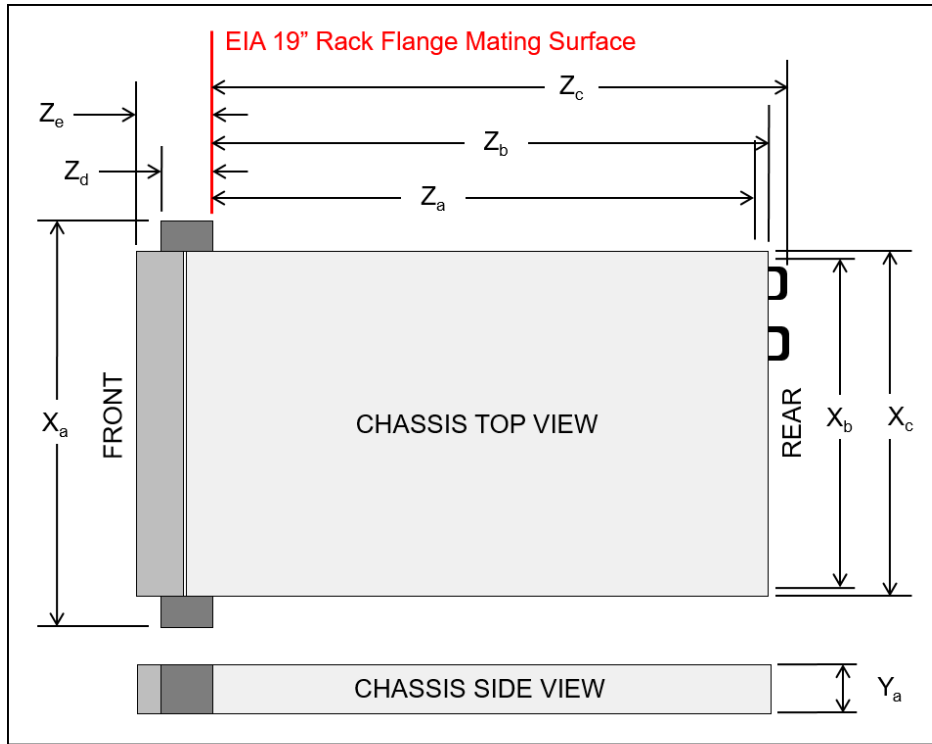


Figure 28. Server dimensions

The shipping (cardboard packaging) dimensions of the SR630 V4 are as follows:

- Width: 587 mm (23.1 inches)
- Height: 188 mm (7.4 inches)
- Depth: 998 mm (39.3 inches)

The server has the following weight:

- Maximum weight:
  - 2.5-inch drive config: 18.27 kg (40.28 lb)
  - E3.S drive config: 19.6 kg (43.21 lb)

The server has the following electrical specifications for AC input power supplies:

- Input voltage:
  - 100 to 127 (nominal) Vac, 50 Hz or 60 Hz
  - 200 to 240 (nominal) Vac, 50 Hz or 60 Hz
  - 180 to 300 Vdc (China only)
- Inlet current: see the following table.

Table 90. Maximum inlet current

Part number	Description	100V AC	200V AC	240V DC
Titanium AC power supplies				
4P57A88687	ThinkSystem 800W 230V/115V Titanium CRPS Premium Hot-Swap Power Supply	9.3A	4.5A	4A
4P57A87056	ThinkSystem 800W 230V/115V Titanium CRPS Hot-Swap Power Supply v1.4	10A	5A	5A

Part number	Description	100V AC	200V AC	240V DC
4P57A88621	ThinkSystem 1300W 230V/115V Titanium CRPS Premium Hot-Swap Power Supply	11.4A	7.2A	6.2A
4P57A89421	ThinkSystem 1300W 230V/115V Titanium CRPS Premium Hot-Swap Power Supply DSC	11.4A	7.2A	6.2A
4P57A87628	ThinkSystem 1300W 230V/115V Titanium CRPS Hot-Swap Power Supply v2.4	12A	8A	8A
4P57A88689	ThinkSystem 2000W 230V Titanium CRPS Premium Hot-Swap Power Supply	No support	11A	9.1A
Platinum AC power supplies				
4P57A89306	ThinkSystem 800W 230V/115V Platinum CRPS Hot-Swap Power Supply v1.5	10A	5A	4.5A
4P57A89307	ThinkSystem 1300W 230V/115V Platinum CRPS Hot-Swap Power Supply v1.5	12A	8A	6.5A
4P57A88636	ThinkSystem 1300W 230V/115V Platinum CRPS Hot-Swap Power Supply v2.4	12A	8A	8A
HVAC/HVDC power supplies				
4P57A88627	ThinkSystem 1300W HVAC/HVDC Platinum CRPS Premium Hot-Swap Power Supply	No support	7.2A	6.2A

Electrical specifications for -48V DC input power supply, 4P57A88625:

- Input voltage: -48 to -60 Vdc
- Inlet current: 29.8 A

Electrical specifications for HVAC/HVDC power supply, 4P57A88627:

- Input voltage ranges:
  - 200-277V AC single phase
  - 240-380V DC
- Inlet current:
  - AC: 7.2 A
  - DC: 6.2 A

## Operating environment

The SR630 V4 server complies with ASHRAE Class A2 specifications with most configurations, and depending on the hardware configuration, also complies with ASHRAE Class A3 and Class A4 specifications. System performance may be impacted when operating temperature is outside ASHRAE A2 specification.

Depending on the hardware configuration, the SR630 V4 server also complies with ASHRAE Class H1 specification. System performance may be impacted when operating temperature is outside ASHRAE H1 specification.

Topics in this section:

- [Ambient temperature requirements](#)
- [Temperature and humidity](#)
- [Water requirements](#)
- [Acoustical noise emissions](#)
- [Shock and vibration](#)
- [Particulate contamination](#)

For additional information, see the Environmental specifications and Thermal rules sections in the product documentation:

[https://pubs.lenovo.com/sr630-v4/server\\_specifications\\_environmental](https://pubs.lenovo.com/sr630-v4/server_specifications_environmental)

[https://pubs.lenovo.com/sr630-v4/thermal\\_rules](https://pubs.lenovo.com/sr630-v4/thermal_rules)

### Ambient temperature requirements

This section lists the restrictions to ASHRAE support based on the method used to remove heat from the processors.

Depending on hardware configurations, the server complies with ASHRAE Class H1, A2, A3, or A4 specifications with certain thermal restrictions. System performance may be impacted when operating temperature is out of permitted conditions.

### Air-cooled and Neptune Air closed-loop liquid cooling requirements

- The ambient temperature must be  $\leq 25^{\circ}\text{C}$  if your server meets the following conditions:
  - For the server installed with front 10x 2.5" backplane and rear 2x 2.5" NVMe backplane:
    - TDP > 300 W
    - High-performance fan is installed
  - For the server installed with front 10x 2.5" / 16x E3.S 1T backplane:
    - TDP > 300 W
    - If CX8 adapter is installed with AOC, refer to [Thermal rules](#).
- The ambient temperature must be  $\leq 30^{\circ}\text{C}$  if your server meets the following conditions:
  - For the server installed with front 10x 2.5" backplane and rear 2x 2.5" backplane: TDP > 225W
    - Rear GPU is installed.
    - $\geq 200$  GbE AOC transceiver: Refer to configurations with special parts listed in [Thermal rules](#)
- The ambient temperature must be  $\leq 35^{\circ}\text{C}$  if your server meets the following conditions:
  - The server is cooled by Processor Neptune Air Module (NeptAir)
  - $\geq 100$  GbE AOC transceiver: Refer to the configurations with special parts listed in [Thermal rules](#)

### Open-loop water cooled using Processor Neptune Core Module

The restrictions to ASHRAE support are as follows:

- The ambient temperature must be  $\leq 35^{\circ}\text{C}$  if your server meets the following conditions:
  - $\geq 200$  GbE AOC transceiver: Refer to the configurations with special parts listed in [Thermal rules](#)

## Open-loop water cooled using Compute Complex Neptune Core Module

The restrictions to ASHRAE support are as follows:

- The ambient temperature must be  $\leq 35^{\circ}\text{C}$  if your server meets the following conditions:
  - Standard fan-packs
  - $\geq 200$  GbE AOC transceiver: Refer to the configurations with special parts listed in [Thermal rules](#)

## Temperature and humidity

The server is supported in the following environment:

- Air temperature:
  - Operating:
    - ASHRAE Class A2:  $10^{\circ}\text{C}$  to  $35^{\circ}\text{C}$  ( $50^{\circ}\text{F}$  to  $95^{\circ}\text{F}$ ); the maximum ambient temperature decreases by  $1^{\circ}\text{C}$  for every 300 m (984 ft) increase in altitude above 900 m (2,953 ft).
    - ASHRAE Class A3:  $5^{\circ}\text{C}$  to  $40^{\circ}\text{C}$  ( $41^{\circ}\text{F}$  to  $104^{\circ}\text{F}$ ); the maximum ambient temperature decreases by  $1^{\circ}\text{C}$  for every 175 m (574 ft) increase in altitude above 900 m (2,953 ft).
    - ASHRAE Class A4:  $5^{\circ}\text{C}$  to  $45^{\circ}\text{C}$  ( $41^{\circ}\text{F}$  to  $113^{\circ}\text{F}$ ); the maximum ambient temperature decreases by  $1^{\circ}\text{C}$  for every 125 m (410 ft) increase in altitude above 900 m (2,953 ft).
    - ASHRAE Class H1:  $5^{\circ}\text{C}$  to  $25^{\circ}\text{C}$  ( $41^{\circ}\text{F}$  to  $77^{\circ}\text{F}$ ); Decrease the maximum ambient temperature by  $1^{\circ}\text{C}$  for every 500 m (1640 ft) increase in altitude above 900 m (2,953 ft).
  - Server off:  $5^{\circ}\text{C}$  to  $45^{\circ}\text{C}$  ( $41^{\circ}\text{F}$  to  $113^{\circ}\text{F}$ )
  - Shipment/storage:  $-40^{\circ}\text{C}$  to  $60^{\circ}\text{C}$  ( $-40^{\circ}\text{F}$  to  $140^{\circ}\text{F}$ )
- Maximum altitude: 3,050 m (10,000 ft)
- Relative Humidity (non-condensing):
  - Operating
    - ASHRAE Class A2: 8% to 80%; maximum dew point:  $21^{\circ}\text{C}$  ( $70^{\circ}\text{F}$ )
    - ASHRAE Class A3: 8% to 85%; maximum dew point:  $24^{\circ}\text{C}$  ( $75^{\circ}\text{F}$ )
    - ASHRAE Class A4: 8% to 90%; maximum dew point:  $24^{\circ}\text{C}$  ( $75^{\circ}\text{F}$ )
    - ASHRAE Class H1: 8% to 80%; Maximum dew point:  $17^{\circ}\text{C}$  ( $63^{\circ}\text{F}$ )
  - Shipment/storage: 8% to 90%

## Water requirements

The SR630 V4 has the following water requirements for open-loop water cooling:

- Maximum pressure: 3 bars
- Water inlet temperature and flow rates for Compute Complex Neptune Core Module:
  - $45^{\circ}\text{C}$  ( $113^{\circ}\text{F}$ ) inlet temperature: 1 liter per minute (lpm) per server
- Water inlet temperature and flow rates for Processor Neptune Core Module:
  - $50^{\circ}\text{C}$  ( $122^{\circ}\text{F}$ ) inlet temperature: 1.5 liters per minute (lpm) per server
  - $45^{\circ}\text{C}$  ( $113^{\circ}\text{F}$ ) inlet temperature: 1 liter per minute (lpm) per server
  - $40^{\circ}\text{C}$  ( $104^{\circ}\text{F}$ ) or lower inlet temperature: 0.5 liters per minute (lpm) per server

The water required to initially fill the system side cooling loop must be reasonably clean, bacteria-free water ( $<100$  CFU/ml) such as de-mineralized water, reverse osmosis water, de-ionized water, or distilled water. The water must be filtered with an in-line 50 micron filter (approximately 288 mesh). The water must be treated with anti-biological and anti-corrosion measures. Environment quality must be maintained over the lifetime of the system to receive warranty and support on affecting components. For more information please see [Lenovo Neptune Direct Water-Cooling Standards](#).

## Acoustical noise emissions

The following table lists the acoustic noise emissions declaration.

Table 91. Acoustic noise emissions declaration

Acoustic performance @ 25°C Ambient	Operating mode	Typical configuration	Storage-rich configuration
Declared mean A-weighted sound power level, $L_{WA,m}$ (B) , $K_v(B)=0.4$	Idle	5.5 Bels	6.2 Bels
	Operating 1	6.0 Bels	8.1 Bels
	Operating 2	7.2 Bels	7.8 Bels
Declared mean A-weighted emission sound pressure level, $L_{pA,m}$ (dB) Bystander position	Idle	44 dB	51 dB
	Operating 1	49 dB	69 dB
	Operating 2	61 dB	66 dB

Modes:

- Idle mode: The steady-state condition in which the server is powered-on but not operating any intended function.
- Operating mode 1: The maximum acoustic output of 50% CPU TDP or active storage drives.
- Operating mode 2: The maximum acoustical output of 100% CPU TDP or GPU TDP.

The declared acoustic sound levels are based on the following configurations, which might be different from the actual configurations:

- Typical: 8 x standard fan, 2 x 205W CPU, 2 x standard heat sink, 16 x 64 GB RDIMM, 10 x 2.5 NVMe drives, ThinkSystem Broadcom 57416 10GBASE-T 2-port OCP, 2 x 800W PSU.
- Storage rich: 8 x performance fan, 2 x 330W CPU, 2 x performance heat sink, 16 x 64 GB RDIMM, 12x 2.5 NVMe drive, ThinkSystem Broadcom 57416 10GBASE-T 2-port OCP, 2 x 1300W PSU.

Notes:

- These sound power levels are measured in controlled acoustical environments according to procedures specified by ISO 7779 and are reported in accordance with ISO 9296.
- The declared sound levels may change depending on configuration/conditions, for example, with high-power NICs, high-power processors and GPUs, such as ThinkSystem Mellanox ConnectX-6 HDR/200GbE QSFP56 1-port/2-port PCIe Adapter, ThinkSystem Broadcom 57454 10GBASE-T 4-port OCP Ethernet Adapter.
- Government regulations (such as those prescribed by OSHA or European Community Directives) may govern noise level exposure in the workplace and may apply to you and your server installation. The actual sound pressure levels in your installation depend upon a variety of factors, including the number of racks in the installation; the size, materials, and configuration of the room; the noise levels from other equipment; the room ambient temperature, and employee's location in relation to the equipment. Further, compliance with such government regulations depends on a variety of additional factors, including the duration of employees' exposure and whether employees wear hearing protection. Lenovo recommends that you consult with qualified experts in this field to determine whether you are in compliance with the applicable regulations.

## Shock and vibration

The server has the following vibration and shock limits:

- Vibration:
  - Operating: 0.21 G rms at 5 Hz to 500 Hz for 15 minutes across 3 axes
  - Non-operating: 1.04 G rms at 2 Hz to 200 Hz for 15 minutes across 6 surfaces
- Shock:
  - Operating: 15 G for 3 milliseconds in each direction (positive and negative X, Y, and Z axes)
  - Non-operating:
    - 12 kg - 22 kg: 50 G for 152 in./sec velocity change across 6 surfaces

## Particulate contamination

Airborne particulates (including metal flakes or particles) and reactive gases acting alone or in combination with other environmental factors such as humidity or temperature might damage the system that might cause the system to malfunction or stop working altogether.

The following specifications indicate the limits of particulates that the system can tolerate:

- Reactive gases:
  - The copper reactivity level shall be less than 200 Angstroms per month ( $\text{\AA}/\text{month}$ )
  - The silver reactivity level shall be less than 200  $\text{\AA}/\text{month}$
- Airborne particulates:
  - The room air should be continuously filtered with MERV 8 filters.
  - Air entering a data center should be filtered with MERV 11 or preferably MERV 13 filters.
  - The deliquescent relative humidity of the particulate contamination should be more than 60% RH
  - Environment must be free of zinc whiskers

For additional information, see the Specifications section of the documentation for the server, available from the Lenovo Documents site, <https://pubs.lenovo.com/>

## Water infrastructure for the Lenovo Processor Neptune Core Module

The Lenovo Processor Neptune Core Module is the liquid-based processor cooling offering for the SR630 V4, as described in the [Lenovo Processor Neptune Core Module](#) section.

The open-loop cooling module requires the following water infrastructure components in the rack cabinet and data center:

- Supported 42U or 48U rack cabinet  
The 42U or 48U Heavy Duty Rack Cabinet (machine types 7D6D or 7D6E) are supported. Two 0U mounting points are required for the water manifolds, at the rear of the rack cabinet, one either side.  
  
For information about the 42U and 48U Heavy Duty Rack Cabinets, see the product guide: <https://lenovopress.lenovo.com/lp1498-lenovo-heavy-duty-rack-cabinets>
- 38-port water manifold (machine type 7DE6), installed in the rear of the rack cabinet  
The manifold provides quick-disconnect couplings that each server in the rack are connected to. Ordering information is in the table below.
- Coolant distribution unit (CDU), either in-rack or in-row  
In-rack CDUs are installed at the bottom of the rack cabinet.  
  
In-row CDUs are separate cabinets that are typically installed at the end of a row of rack cabinets. Examples of suitable in-row CDUs include (but not limited to):
  - Vertiv XDU450 CDU
  - Vertiv XDU600 CDU
  - Vertiv XDU100 CDU
- Hose kit to connect to the CDU to the manifold  
Ordering information is in the table below.

The following figure shows the major components of the solution.

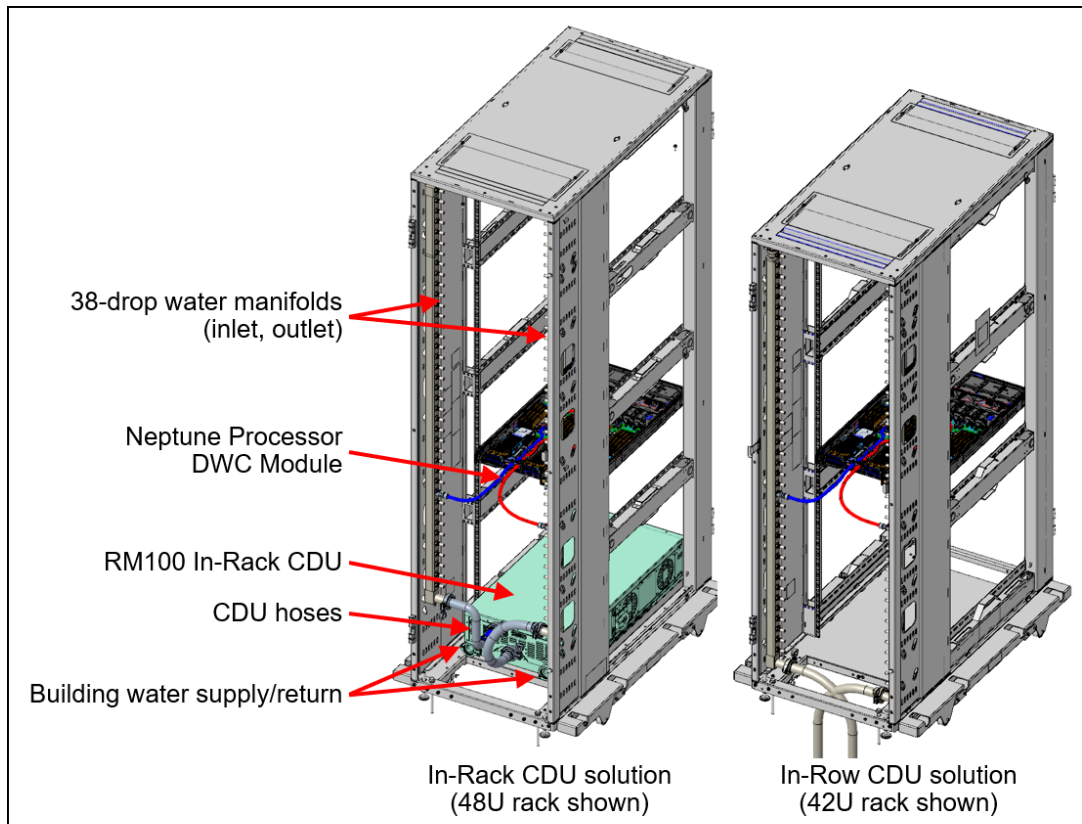


Figure 29. Water manifold connections

Configuration requirements:

- Maximum number of SR630 V4 servers supported in a rack:
  - 48U rack: 38 servers
  - 42U rack with in-rack CDU: 35 servers
  - 42U rack without in-rack CDU: 38 servers
- Inlet water flow rate:
  - 0.5 LPM: Maximum 40°C inlet water temperature
  - 1.0 LPM: Maximum 45°C inlet water temperature
  - 1.5 LPM: Maximum 50°C inlet water temperature
- Water pressure requirement:
  - Maximum operating node inlet pressure = 43.5 psi (3 bars)

**Note:** Water quality must be maintained over the lifetime of the system to receive warranty and support on affecting components. For water quality requirement, see [Lenovo Neptune Direct Water-Cooling Standards](#)

The 38-drop water manifold and hoses can be ordered as listed in the following table.

Table 92. Water infrastructure ordering information

Part number	Feature code	Description
Manifold for 42U and 48U rack cabinet		
4XF7A90061	C5YW	ThinkSystem Neptune 38-Port Rack Manifold
Hoses to connect the manifold to an in-rack CDU		

Part number	Feature code	Description
4XF7A90232	C5YX	Connection Set, 38/45 Ports Manifold with in-rack CDU
4XF7A90233	C5YY	Connection Set, 38-Port Manifold with in-rack CDU for 48U Rack
Hoses to connect the manifold to an in-row CDU		
4XF7A90234	C5YZ	Hose Set, 1 inch EPDM, 1.3m, for Rack Manifold with in-row CDU
4XF7A90235	C5Z0	Hose Set, 1 inch EPDM, 2.3m, for Rack Manifold with in-row CDU

Configuration notes:

- This water connection solution described here cannot be used with the DW612S and N1380 enclosures as the water requirements are different.
- The hoses for in-row CDUs that are listed in the table above have Eaton FD83 quick-disconnect couplings

## Warranty upgrades and post-warranty support

The SR630 V4 has a 1-year or 3-year warranty based on the machine type of the system:

- 7DG8, - 1 year warranty
- 7DG9, 7DK1, 7DLM, - 3 year warranty

Our global network of regional support centers offers consistent, local-language support enabling you to vary response times and level of service\* to match the criticality of your support needs:

- **Standard Next Business Day** – Best choice for non-essential systems requiring simple maintenance.
- **Premier Next Business Day** – Best choice for essential systems requiring technical expertise from senior-level Lenovo engineers.
- **Premier 24x7 4-Hour Response** – Best choice for systems where maximum uptime is critical.
- **Premier Enhanced Storage Support 24x7 4-Hour Response** – Best choice for storage systems where maximum uptime is critical.

For more information, consult the brochure [Lenovo Operational Support Services for Data Centers Services](#).

\* Some service levels may not be available in all markets. Contact your sales representative for more information.

## Services

Lenovo Data Center Services empower you at every stage of your IT lifecycle. From expert advisory and strategic planning to seamless deployment and ongoing support, we ensure your infrastructure is built for success. Our comprehensive services accelerate time to value, minimize downtime, and free your IT staff to focus on driving innovation and business growth.

**Note:** Some service options may not be available in all markets or regions. For more information, go to <https://lenovocator.com/>. For information about Lenovo service upgrade offerings that are available in your region, contact your local Lenovo sales representative or business partner.

In this section:

- [Lenovo Advisory Services](#)
- [Lenovo Plan & Design Services](#)
- [Lenovo Deployment, Migration, and Configuration Services](#)
- [Lenovo Support Services](#)
- [Lenovo Managed Services](#)
- [Lenovo Sustainability Services](#)

### Lenovo Advisory Services

Lenovo Advisory Services simplify the planning process, enabling customers to build future-proofed strategies in as little as six weeks. Consultants provide guidance on projects including VM migration, storage, backup and recovery, and cost management to accelerate time to value, improve cost efficiency, and build a flexibly scalable foundation.

- **Assessment Services**

An Assessment helps solve your IT challenges through an onsite, multi-day session with a Lenovo technology expert. We perform a tools-based assessment which provides a comprehensive and thorough review of a company's environment and technology systems. In addition to the technology based functional requirements, the consultant also discusses and records the non-functional business requirements, challenges, and constraints. Assessments help organizations like yours, no matter how large or small, get a better return on your IT investment and overcome challenges in the ever-changing technology landscape.

- **Design Services**

Professional Services consultants perform infrastructure design and implementation planning to support your strategy. The high-level architectures provided by the assessment service are turned into low level designs and wiring diagrams, which are reviewed and approved prior to implementation. The implementation plan will demonstrate an outcome-based proposal to provide business capabilities through infrastructure with a risk-mitigated project plan.

### Lenovo Plan & Design Services

Unlock faster time to market with our tailored, strategic design workshops to align solution approaches with your business goals and technical requirements. Leverage our deep solution expertise and end-to-end delivery partnership to meet your goals efficiently and effectively.

### Lenovo Deployment, Migration, and Configuration Services

Optimize your IT operations by shifting labor-intensive functions to Lenovo's skilled technicians for seamless on-site or remote deployment, configuration, and migration. Enjoy peace of mind, faster time to value, and

comprehensive knowledge sharing with your IT staff, backed by our best-practice methodology.

- **Deployment Services for Storage and ThinkAgile**

A comprehensive range of remote and onsite options tailored specifically for your business needs to ensure your storage and ThinkAgile hardware are fully operational from the start.

- **Hardware Installation Services**

A full-range, comprehensive setup for your hardware, including unpacking, inspecting, and positioning components to ensure your equipment is operational and error-free for the most seamless and efficient installation experience, so you can quickly benefit from your investments.

- **DM/DG File Migration Services**

Take the burden of file migration from your IT's shoulders. Our experts will align your requirements and business objectives to the migration plans while coordinating with your team to plan and safely execute the data migration to your storage platforms.

- **DM/DG/DE Health Check Services**

Our experts perform proactive checks of your Firmware and system health to ensure your machines are operating at peak and optimal efficiency to maximize up-time, avoid system failures, ensure the security of IT solutions and simplify maintenance.

- **Factory Integrated Services**

A suite of value-added offerings provided during the manufacturing phase of a server or storage system that reduces time to value. These services aim at improving your hardware deployment experience and enhance the quality of a standard configuration before it arrives at your facility.

## **Lenovo Support Services**

In addition to response time options for hardware parts, repairs, and labor, Lenovo offers a wide array of additional support services to ensure your business is positioned for success and longevity. Our goal is to reduce your capital outlays, mitigate your IT risks, and accelerate your time to productivity.

- **Premier Support for Data Centers**

Your direct line to the solution that promises the best, most comprehensive level of support to help you fully unlock the potential of your data center.

- **Premier Support Plus (PSP) for Servers 24x7 4-Hour Response**

Helping customers reduce unplanned downtime by moving from reactive support to proactive and preventative care

- **Premier Enhanced Storage Support (PESS)**

Gain all the benefits of Premier Support for Data Centers, adding dedicated storage specialists and resources to elevate your storage support experience to the next level.

- **Committed Service Repair (CSR)**

Our commitment to ensuring the fastest, most seamless resolution times for mission-critical systems that require immediate attention to ensure minimal downtime and risk for your business. This service is only available for machines under the Premier 4-Hour Response SLA.

- **Multivendor Support Services (MVS)**

Your single point of accountability for resolution support across vast range of leading Server, Storage, and Networking OEMs, allowing you to manage all your supported infrastructure devices seamlessly from a single source.

- **Keep Your Drive (KYD)**

Protect sensitive data and maintain compliance with corporate retention and disposal policies to ensure your data is always under your control, regardless of the number of drives that are installed in your Lenovo server.

- **Technical Account Manager (TAM)**

Your single point of contact to expedite service requests, provide status updates, and furnish reports to track incidents over time, ensuring smooth operations and optimized performance as your business grows.

- **Enterprise Software Support (ESS)**

Gain comprehensive, single-source, and global support for a wide range of server operating systems and Microsoft server applications.

For more information, consult the brochure [Lenovo Operational Support Services for Data Centers](#).

## **Lenovo Managed Services**

Achieve peak efficiency, high security, and minimal disruption with Lenovo's always-on Managed Services. Our real-time monitoring, 24x7 incident response, and problem resolution ensure your infrastructure operates seamlessly. With quarterly health checks for ongoing optimization and innovation, Lenovo's remote active monitoring boosts end-user experience and productivity by keeping your data center's hardware performing at its best.

Lenovo Managed Services provides continuous 24x7 remote monitoring (plus 24x7 call center availability) and proactive management of your data center using state-of-the-art tools, systems, and practices by a team of highly skilled and experienced Lenovo services professionals.

Quarterly reviews check error logs, verify firmware & OS device driver levels, and software as needed. We'll also maintain records of latest patches, critical updates, and firmware levels, to ensure you systems are providing business value through optimized performance.

## **Lenovo Sustainability Services**

- **Asset Recovery Services**

Lenovo Asset Recovery Services (ARS) provides a secure, seamless solution for managing end-of-life IT assets, ensuring data is safely sanitized while contributing to a more circular IT lifecycle. By maximizing the reuse or responsible recycling of devices, ARS helps businesses meet sustainability goals while recovering potential value from their retired equipment. For more information, see the [Asset Recovery Services offering page](#).

- **CO2 Offset Services**

Lenovo's CO2 Offset Services offer a simple and transparent way for businesses to take tangible action on their IT footprint. By integrating CO2 offsets directly into device purchases, customers can easily support verified climate projects and track their contributions, making meaningful progress toward their sustainability goals without added complexity.

- **Lenovo Certified Refurbished**

Lenovo Certified Refurbished offers a cost-effective way to support IT circularity without compromising on quality and performance. Each device undergoes rigorous testing and certification, ensuring reliable performance and extending its lifecycle. With Lenovo's trusted certification, you gain peace of mind while making a more sustainable IT choice.

## Lenovo TruScale

Lenovo TruScale XaaS is your set of flexible IT services that makes everything easier. Streamline IT procurement, simplify infrastructure and device management, and pay only for what you use – so your business is free to grow and go anywhere.

Lenovo TruScale is the unified solution that gives you simplified access to:

- The industry's broadest portfolio – from pocket to cloud – all delivered as a service
- A single-contract framework for full visibility and accountability
- The global scale to rapidly and securely build teams from anywhere
- Flexible fixed and metered pay-as-you-go models with minimal upfront cost
- The growth-driving combination of hardware, software, infrastructure, and solutions – all from one single provider with one point of accountability.

For information about Lenovo TruScale offerings that are available in your region, contact your local Lenovo sales representative or business partner.

## Regulatory compliance

The SR630 V4 conforms to the following standards:

- ANSI/UL 62368-1
- IEC 62368-1 (CB Certificate and CB Test Report)
- CSA C22.2 No. 62368-1
- Argentina IEC 62368-1
- Mexico NOM-019
- India BIS 13252 (Part 1)
- Germany GS
- TUV-GS (EN62368-1, and EK1-ITB2000)
- Brazil INMETRO
- South Africa NRCS LOA
- Ukraine UkrCEPRO
- Morocco CMIM Certification (CM)
- Russia, Belorussia and Kazakhstan, TP EAC 037/2016 (for RoHS)
- Russia, Belorussia and Kazakhstan, EAC: TP TC 004/2011 (for Safety); TP TC 020/2011 (for EMC)
- CE, UKCA Mark (EN55032 Class A, EN62368-1, EN55035, EN61000-3-11, EN61000-3-12, (EU) 2019/424, and EN IEC 63000 (RoHS))
- FCC - Verified to comply with Part 15 of the FCC Rules, Class A
- Canada ICES-003, issue 7, Class A
- CISPR 32, Class A, CISPR 35
- Korea KS C 9832 Class A, KS C 9835
- Japan VCCI, Class A
- Taiwan BSMI CNS15936, Class A; CNS15598-1; Section 5 of CNS15663
- Australia/New Zealand AS/NZS CISPR 32, Class A; AS/NZS 62368.1
- UL Green Guard, UL2819
- [Energy Star 4.0](#)
- EPEAT (NSF/ ANSI 426) Bronze
- Japanese Energy-Saving Act
- EU2019/424 Energy Related Product (ErP Lot9)
- TCO Certified
- China CCC certificate, GB17625.1; GB4943.1; GB/T9254
- China CECP certificate, CQC3135
- China CELP certificate, HJ 2507-2011

## External drive enclosures

The server supports attachment to external drive enclosures using a RAID controller with external ports or a SAS host bus adapter. Adapters supported by the server are listed in the [SAS adapters for external storage](#) section.

**Note:** Information provided in this section is for ordering reference purposes only. For the operating system and adapter support details, refer to the interoperability matrix for a particular storage enclosure that can be found on the Lenovo Data Center Support web site:

<http://datacentersupport.lenovo.com>

Table 93. External drive enclosures

Model	Description
4587HC1	Lenovo Storage D1212 Disk Expansion Enclosure (2U enclosure with 12x LFF drive bays)
4587HC2	Lenovo Storage D1224 Disk Expansion Enclosure (2U enclosure with 24x SFF drive bays)
7DAHCTO1WW	Lenovo ThinkSystem D4390 Direct Attached Storage (4U enclosure with 90x LFF drive bays)

For details about supported drives, adapters, and cables, see the following Lenovo Press Product Guides:

- Lenovo Storage D1212 and D1224  
<http://lenovopress.lenovo.com/lp0512>
- Lenovo ThinkSystem D4390  
<https://lenovopress.lenovo.com/lp1681>

## External storage systems

Lenovo offers the ThinkSystem DE Series, ThinkSystem DG Series, ThinkSystem DM Series and ThinkSystem DS Series external storage systems for high-performance storage. See the DE Series, DG Series and DM Series product guides for specific controller models, expansion enclosures and configuration options:

- ThinkSystem DE Series Storage  
<https://lenovopress.com/storage/thinksystem/de-series#rt=product-guide>
- ThinkSystem DS Series Storage  
<https://lenovopress.lenovo.com/storage/thinksystem/ds-series>
- ThinkSystem DM Series Storage  
<https://lenovopress.com/storage/thinksystem/dm-series#rt=product-guide>
- ThinkSystem DG Series Storage  
<https://lenovopress.com/storage/thinksystem/dg-series#rt=product-guide>

## External backup units

The following table lists the external backup options that are offered by Lenovo.

Table 94. External backup options

Part number	Description
External RDX USB drives	
4T27A10725	ThinkSystem RDX External USB 3.0 Dock
External SAS tape backup drives	
6160S8E	IBM TS2280 Tape Drive Model H8S

Part number	Description
6160S9E	IBM TS2290 Tape Drive Model H9S
External SAS tape backup autoloaders	
6171S8R	IBM TS2900 Tape Autoloader w/LTO8 HH SAS
6171S9R	IBM TS2900 Tape Autoloader w/LTO9 HH SAS
External tape backup libraries	
6741B1F	IBM TS4300 3U Tape Library Base Unit - Max 48U
6741B3F	IBM TS4300 3U Tape Library Expansion Unit - Max 48U
SAS backup drives for TS4300 Tape Library	
01KP937	LTO 7 HH SAS Drive
01KP953	LTO 8 HH SAS Drive
02JH836	LTO 9 HH SAS Drive
Full High 8 Gb Fibre Channel for TS4300	
01KP938	LTO 7 FH Fibre Channel Drive
01KP954	LTO 8 FH Fibre Channel Drive
02JH837	LTO 9 FH Fibre Channel Drive
Half High 8 Gb Fibre Channel for TS4300	
01KP936	LTO 7 HH Fibre Channel Drive
01KP952	LTO 8 HH Fibre Channel Drive
02JH835	LTO 9 HH Fibre Channel Drive
Half High 6 Gb SAS for TS4300	
01KP937	LTO 7 HH SAS Drive
01KP953	LTO 8 HH SAS Drive
02JH836	LTO 9 HH SAS Drive

For more information, see the list of Product Guides in the Backup units category:

<https://lenovopress.com/servers/options/backup>

## Fibre Channel SAN switches

Lenovo offers the ThinkSystem DB Series of Fibre Channel SAN switches for high-performance storage expansion. See the DB Series product guides for models and configuration options:

- ThinkSystem DB Series SAN Switches:  
<https://lenovopress.com/storage/switches/rack#rt=product-guide>

## Uninterruptible power supply units

The following table lists the uninterruptible power supply (UPS) units that are offered by Lenovo.

Table 95. Uninterruptible power supply units

Part number	Description
Rack-mounted or tower UPS units - 200-240VAC	
7DD5A002WW	RT1.5kVA 2U Rack or Tower UPS-G2 (200-240VAC)
7DD5A005WW	RT3kVA 2U Rack or Tower UPS-G2 (200-240VAC)

For more information, see the list of Product Guides in the UPS category:  
<https://lenovopress.com/servers/options/ups>

## Power distribution units

The following table lists the power distribution units (PDUs) that are offered by Lenovo.

Table 96. Power distribution units

Part number	Feature code	Description	ANZ	ASEAN	Brazil	EET	MEA	RUCIS	WE	HTK	INDIA	JAPAN	LA	NA	PRC
<b>0U Basic PDUs</b>															
4PU7A93176	C0QH	0U 36 C13 and 6 C19 Basic 32A 1 Phase PDU v2	Y	Y	Y	Y	Y	Y	Y	Y	Y	N	Y	Y	Y
4PU7A93177	C0QJ	0U 24 C13/C15 and 24 C13/C15/C19 Basic 32A 3 Phase WYE PDU v2	Y	Y	Y	Y	Y	Y	Y	Y	Y	Y	Y	Y	Y
<b>0U Switched and Monitored PDUs</b>															
4PU7B08148	CD15	0U 3 C13 and 18 C19 Monitored 48A 3 Phase WYE PDU	N	N	N	N	N	N	N	N	N	N	N	Y	N
4PU7B08149	CD16	0U 3 C13 and 18 C19 Monitored 63A 3 Phase WYE PDU	N	N	N	Y	N	N	Y	N	N	N	N	N	N
4PU7A93181	C0QN	0U 21 C13/C15 and 21 C13/C15/C19 Switched and Monitored 48A 3 Phase Delta PDU v2 (60A derated)	N	Y	N	N	N	N	N	Y	N	Y	N	Y	N
4PU7A93178	C0QK	0U 20 C13 and 4 C19 Switched and Monitored 32A 1 Phase PDU v2	Y	Y	Y	Y	Y	Y	Y	Y	Y	N	Y	Y	Y
4PU7A93182	C0QP	0U 18 C13/C15 and 18 C13/C15/C19 Switched and Monitored 63A 3 Phase WYE PDU v2	Y	Y	Y	Y	Y	Y	Y	Y	Y	Y	Y	Y	Y
4PU7A93175	C0CS	0U 18 C13/C15 and 18 C13/C15/C19 Switched and Monitored 63A 3 Phase WYE PDU	Y	Y	Y	Y	Y	Y	Y	Y	Y	N	Y	Y	Y
4PU7A93180	C0QM	0U 18 C13/C15 and 18 C13/C15/C19 Switched and Monitored 32A 3 Phase WYE PDU v2	Y	Y	Y	Y	Y	Y	Y	Y	Y	Y	Y	Y	Y
4PU7A93179	C0QL	0U 16 C13/C15 and 16 C13/C15/C19 Switched and Monitored 24A 1 Phase PDU v2 (30A derated)	N	Y	N	N	N	N	N	Y	N	Y	Y	Y	N
<b>1U Basic PDUs</b>															
4PU7B12339	CE6L	1U Basic 16A 1 Phase PDU	Y	Y	Y	Y	Y	Y	Y	Y	Y	N	Y	Y	Y
<b>1U Switched and Monitored PDUs</b>															
4PU7A90809	C0DE	1U 18 C19/C13 Switched and monitored 48A 3P WYE PDU V2 CE	Y	Y	Y	Y	Y	Y	Y	Y	Y	Y	Y	N	Y
4PU7A90810	C0DD	1U 18 C19/C13 Switched and monitored 80A 3P Delta PDU V2	N	N	N	N	N	N	N	Y	N	Y	Y	Y	N
4PU7A90811	C0DC	1U 12 C19/C13 Switched and monitored 32A 3P WYE PDU V2	Y	Y	Y	Y	Y	Y	Y	Y	Y	Y	Y	Y	Y
4PU7A90812	C0DB	1U 12 C19/C13 Switched and monitored 60A 3P Delta PDU V2	N	N	N	N	N	N	N	Y	N	Y	Y	Y	N

For more information, see the Lenovo Press documents in the PDU category:

<https://lenovopress.com/servers/options/pdu>

## Rack cabinets

The following table lists the supported rack cabinets.

Table 97. Rack cabinets

Model	Description
7D6DA007WW	ThinkSystem 42U Onyx Primary Heavy Duty Rack Cabinet (1200mm)
7D6DA008WW	ThinkSystem 42U Pearl Primary Heavy Duty Rack Cabinet (1200mm)
7D6EA009WW	ThinkSystem 48U Onyx Primary Heavy Duty Rack Cabinet (1200mm)
7D6EA00AWW	ThinkSystem 48U Pearl Primary Heavy Duty Rack Cabinet (1200mm)
1410O42	Lenovo EveryScale 42U Onyx Heavy Duty Rack Cabinet
1410P42	Lenovo EveryScale 42U Pearl Heavy Duty Rack Cabinet
1410O48	Lenovo EveryScale 48U Onyx Heavy Duty Rack Cabinet
1410P48	Lenovo EveryScale 48U Pearl Heavy Duty Rack Cabinet
93072RX	25U Standard Rack (1000mm)
93072PX	25U Static S2 Standard Rack (1000mm)
93074RX	42U Standard Rack (1000mm)
93604PX	42U 1200mm Deep Dynamic Rack
93614PX	42U 1200mm Deep Static Rack
93634PX	42U 1100mm Dynamic Rack
93634EX	42U 1100mm Dynamic Expansion Rack

For specifications about these racks, see the Lenovo Rack Cabinet Reference, available from: <https://lenovopress.com/lp1287-lenovo-rack-cabinet-reference>

For more information, see the list of Product Guides in the Rack cabinets category: <https://lenovopress.com/servers/options/racks>

## KVM console options

The following table lists the supported KVM consoles.

Table 98. KVM console

Part number	Description
4XF7A84188	ThinkSystem 18.5" LCD console (with US English keyboard)

The following table lists the available KVM switches and the options that are supported with them.

Table 100. KVM switches and options

Part number	Description
KVM Console switches	
1754A1X	Local 1x8 Console Manager (LCM8)

For more information, see the list of Product Guides in the KVM Switches and Consoles category: <http://lenovopress.com/servers/options/kvm>

## Lenovo Financial Services

Why wait to obtain the technology you need now? No payments for 90 days and predictable, low monthly payments make it easy to budget for your Lenovo solution.

- **Flexible**

Our in-depth knowledge of the products, services and various market segments allows us to offer greater flexibility in structures, documentation and end of lease options.

- **100% Solution Financing**

Financing your entire solution including hardware, software, and services, ensures more predictability in your project planning with fixed, manageable payments and low monthly payments.

- **Device as a Service (DaaS)**

Leverage latest technology to advance your business. Customized solutions aligned to your needs. Flexibility to add equipment to support growth. Protect your technology with Lenovo's Premier Support service.

- **24/7 Asset management**

Manage your financed solutions with electronic access to your lease documents, payment histories, invoices and asset information.

- **Fair Market Value (FMV) and \$1 Purchase Option Leases**

Maximize your purchasing power with our lowest cost option. An FMV lease offers lower monthly payments than loans or lease-to-own financing. Think of an FMV lease as a rental. You have the flexibility at the end of the lease term to return the equipment, continue leasing it, or purchase it for the fair market value. In a \$1 Out Purchase Option lease, you own the equipment. It is a good option when you are confident you will use the equipment for an extended period beyond the finance term. Both lease types have merits depending on your needs. We can help you determine which option will best meet your technological and budgetary goals.

Ask your Lenovo Financial Services representative about this promotion and how to submit a credit application. For the majority of credit applicants, we have enough information to deliver an instant decision and send a notification within minutes.

## Seller training courses

The following sales training courses are offered for employees and partners (login required). Courses are listed in date order.

### 1. **Partner Technical Webinar - AI Servers**

2026-04-20 | 30 minutes | Employees and Partners

In this 30 minute replay, Mark Bica, Lenovo NA ISG Server Product Manager, presented the Lenovo AI Servers. Mark also gave an update on M.2 changes the latest with TCE (Top Choice Express).

Published: 2026-04-20

Length: 30 minutes

#### **Start the training:**

Employee link: [Grow@Lenovo](#)

Partner link: [Lenovo 360 Learning Center](#)

Course code: APR1726

### 2. **Partner Technical Webinar - Server Review Racks, Towers & Edge**

2026-03-16 | 60 minutes | Employees and Partners

In this 60-minute replay, the Channel Solution Architect team provides an overview of the Lenovo ISG server portfolio. Eugene Grandberry, Ian Sloan, and Chris Laffey cover Towers, Racks, Edge, and TCE.

Published: 2026-03-16

Length: 60 minutes

#### **Start the training:**

Employee link: [Grow@Lenovo](#)

Partner link: [Lenovo 360 Learning Center](#)

Course code: MAR1326

### 3. **ISG Smarter Tools, Faster Deals and Better Outcomes**

2026-02-27 | 40 minutes | Employees and Partners

In this 40-minute video, we review several tools and programs from Lenovo ISG to help our Partners' Data Center selling efforts: Smarter Tools / Faster Deals / Better Outcomes. We cover Top Choice Express, our premier program for supply optimized solutions. We next demonstrated DCSC, the Data Center Solution Configurator, Compete Tool for comparisons with our competition, and XClarity One, the next evolution of our XClarity Systems Management tool.

Tags: DataCenter Products

Published: 2026-02-27

Length: 40 minutes

#### **Start the training:**

Employee link: [Grow@Lenovo](#)

Partner link: [Lenovo 360 Learning Center](#)

Course code: FEB2426

#### 4. **ThinkSystem Rackmount and Tower Servers powered by AMD**

2026-02-23 | 25 minutes | Employees and Partners

This course presents the key products and features of the ThinkSystem Rackmount and Tower server family powered by AMD processors. It describes customer benefits and will help you recognize when a specific product should be selected.

By the end of this course, you should be able to:

- Identify products and features within the family
- Describe customer benefits offered by this family
- Recognize when a specific product should be selected

Last updated: 2/24/2026

Tags: Server, ThinkSystem

Published: 2026-02-23

Length: 25 minutes

##### **Start the training:**

Employee link: [Grow@Lenovo](mailto:Grow@Lenovo)

Partner link: [Lenovo 360 Learning Center](#)

Course code: SXXW1216r11

#### 5. **OneIQ Overview and Demo**

2026-02-10 | 35 minutes | Employees and Partners

In this 35-minute video, Peter Grant, Head of Customer Experience for OneIQ, presents an overview and demo of OneIQ for Lenovo Partners.

Tags: Sales Tools

Published: 2026-02-10

Length: 35 minutes

##### **Start the training:**

Employee link: [Grow@Lenovo](mailto:Grow@Lenovo)

Partner link: [Lenovo 360 Learning Center](#)

Course code: ONEIQ101

## 6. Family Portfolio: ThinkSystem Rack and Tower Servers Powered by Intel

2026-02-04 | 25 minutes | Employees and Partners

This course is designed to give Lenovo sales and partner representatives a foundation of the ThinkSystem Intel Rackmount and Tower server family.

After completing this course, you will be able to:

- Identify products within this ThinkSystem server family
- Describe features of this family
- Recognize when a specific product should be selected

Tags: Server, ThinkSystem

Published: 2026-02-04

Length: 25 minutes

### Start the training:

Employee link: [Grow@Lenovo](mailto:Grow@Lenovo)

Partner link: [Lenovo 360 Learning Center](#)

Course code: SXXW1204r15

## 7. ThinkSystem Rack & Tower Server Primer - Module 2

2025-12-17 | 45 minutes | Employees Only

This course builds on the foundational concepts from the prework modules, helping Client Managers deepen their understanding of ThinkSystem Rack and Tower Servers and apply that knowledge to confidently initiate value-driven customer conversations. Please Note: The videos in this course are taken from the Module 2 live session led by Tikiri Wandregala.

By the end of this course, you will be able to:

- Demonstrate the ability to initiate a data center discussion with a customer.
- Analyze and evaluate potential data center opportunities.
- Apply criteria to effectively qualify an opportunity.
- Locate and differentiate key resources and contacts.

Tags: DataCenter Products, ThinkSystem

Published: 2025-12-17

Length: 45 minutes

### Start the training:

Employee link: [Grow@Lenovo](mailto:Grow@Lenovo)

Course code: DSRTB101

**8. Partner Technical Webinar - Mainstream CPUs**

2025-09-29 | 40 minutes | Employees and Partners

In this 40-minute replay, Brad Violand, Lenovo ISG Category team, reviewed the strategy to optimize the CPU portfolio and ensuing changes to DCSC planned for October 1, 2025.

Tags: Server

Published: 2025-09-29

Length: 40 minutes

**Start the training:**

Employee link: [Grow@Lenovo](mailto:Grow@Lenovo)

Partner link: [Lenovo 360 Learning Center](#)

Course code: SEP2625

**9. Partner Technical Webinar - ISG Portfolio - Wayne's World**

2025-09-25 | 60 minutes | Employees and Partners

In this 60-minute replay, Wayne Pecht, Lenovo Channel SA, shared his extensive experience and unique approach to the ISG Portfolio "Wayne's World for Lenovo ISG"!

Tags: Channel, Technical Sales

Published: 2025-09-25

Length: 60 minutes

**Start the training:**

Employee link: [Grow@Lenovo](mailto:Grow@Lenovo)

Partner link: [Lenovo 360 Learning Center](#)

Course code: SEP1925

**10. FY26Q2 Easy SMB Quick Hit**

2025-09-22 | 8 minutes | Employees and Partners

This Quick Hit introduces Lenovo Easy SMB, smarter business made simple. It allows businesses to move quickly, deploy modern AI-ready IT infrastructure with ease, and scale confidently, inside data centers or at the edge.

Tags: Artificial Intelligence (AI), Infrastructure as a Service (IaaS), Microsoft, ThinkEdge, ThinkSystem, XClarity

Published: 2025-09-22

Length: 8 minutes

**Start the training:**

Employee link: [Grow@Lenovo](mailto:Grow@Lenovo)

Partner link: [Lenovo 360 Learning Center](#)

Course code: SXXW2548a

11. **Think AI Weekly: ISG & SSG Better Together: Uniting AI Solutions & Services for Smarter Outcomes**

2025-08-01 | 55 minutes | Employees Only

View this session to hear from our speakers Allen Holmes, AI Technologist, ISG and Balaji Subramaniam, AI Regional Leader-Americas, SSG.

Topics include:

- An overview of ISG & SSG AI CoE Offerings with Customer Case Studies
- The Enterprise AI Deal Engagement Flow with ISG and SSG
- How sellers can leverage this partnership to differentiate with Enterprise clients.
- NEW COURSE: From Inception to Execution: Evolution of an AI Deal

Tags: Artificial Intelligence (AI), Sales, Services, Technology Solutions, TruScale Infrastructure as a Service

Published: 2025-08-01

Length: 55 minutes

**Start the training:**

Employee link: [Grow@Lenovo](#)

Course code: DTAIW145

12. **VTT-HPC: Explaining HPC Benchmarking: Processes, Standards and Best Practices**

2025-07-30 | 87 minutes | Employees Only

Please join us as Eric Michel, HPC & AI Performance Team Coordinator and Kevin Dean, Sr Manager, HPC Performance, Projection & Operations speak with us about HPC Benchmarking.

Topics will include:

- Why sellers need to request benchmarks
- How to request benchmarks
- How the team performs a benchmark
- The performance database
- Demonstration of the tool

Tags: Advanced Data Center, High Performance Computing (HPC), Technical Sales

Published: 2025-07-30

Length: 87 minutes

**Start the training:**

Employee link: [Grow@Lenovo](#)

Course code: DVHPC224

### 13. **Family Portfolio: Server Component Options**

2025-07-21 | 20 minutes | Employees and Partners

This course covers opportunities that are available to upsell server components. By upselling the correct components, you can increase the size and revenue of the original sale.

After completing this course, you should be able to:

- Identify the opportunities for an upsell
- Recognize when specific products should be discussed
- Emphasize how a product benefits the customer
- Identify keywords that indicate upsell opportunities

Tags: Server, Storage

Published: 2025-07-21

Length: 20 minutes

**Start the training:**

Employee link: [Grow@Lenovo](mailto:Grow@Lenovo)

Partner link: [Lenovo 360 Learning Center](#)

Course code: SXXW1109r2

### 14. **ThinkSystem Rack and Tower Introduction for ISO Client Managers**

2025-06-16 | 20 minutes | Employees Only

In this course, you will learn about Lenovo's Data Center Portfolio, its ThinkSystem Family and the key features of the Rack and Tower servers. It will equip you with foundational knowledge which you can then expand upon by participating in the facilitated session of the curriculum.

Tags: Server, ThinkSystem

Published: 2025-06-16

Length: 20 minutes

**Start the training:**

Employee link: [Grow@Lenovo](mailto:Grow@Lenovo)

Course code: DSRTO101r2\_JP

15. **VTT HPC: AI and the Impact on the Environment**

2025-06-11 | 58 minutes | Employees Only

Please join us as Matthew Ziegler, Director of Lenovo Neptune and Sustainability speaks with us about AI and the Impact on the Environment.

Topics will include:

- Why is ESG essential for your customer?
- How to find and read an eco declaration
- What is a product carbon footprint?
- Demo of the Lenovo Capacity Planner

Tags: Advanced DataCenter, Artificial Intelligence (AI), Environmental Social Governance (ESG), High-Performance Computing (HPC), Server

Published: 2025-06-11

Length: 58 minutes

**Start the training:**

Employee link: [Grow@Lenovo](#)

Course code: DVHPC223

16. **Lenovo Data Center Product Portfolio**

2025-06-11 | 20 minutes | Employees and Partners

This course introduces the Lenovo data center portfolio, and covers servers, storage, storage networking, and software-defined infrastructure products. After completing this course about Lenovo data center products, you will be able to identify product types within each data center family, describe Lenovo innovations that this product family or category uses, and recognize when a specific product should be selected.

Course objectives:

1. Identify product types within each data center family
2. Describe the features of the product family or category
3. Recognize when a specific product should be selected

Tags: Advanced DataCenter, DataCenter Products, Server, ThinkAgile, ThinkEdge, ThinkSystem

Published: 2025-06-11

Length: 20 minutes

**Start the training:**

Employee link: [Grow@Lenovo](#)

Partner link: [Lenovo 360 Learning Center](#)

Course code: SXXW1110r8

17. **Partner Technical Webinar - RTX Pro 6000**

2025-05-22 | 60 minutes | Employees and Partners

In this 60-minute replay, Allen Bourgoyne, Product Marketing for NVIDIA, presented the newly announced RTX Pro 6000 Blackwell Server Edition GPU.

Tags: Artificial Intelligence (AI)

Published: 2025-05-22

Length: 60 minutes

**Start the training:**

Employee link: [Grow@Lenovo](mailto:Grow@Lenovo)

Partner link: [Lenovo 360 Learning Center](#)

Course code: MAY1525

18. **Partner Technical Webinar - DCSC Improvements - MAY0225**

2025-05-05 | 60 minutes | Employees and Partners

In this 60-minute replay, new improvements to DCSC were reviewed. Joe Allen, Lenovo NA LETS, presented the new PCI wizard and discussed RAID adapters. Ryan Tuttle, Lenovo NA LETS presented Spreadsheet import, Autocorrect and Expanded selections on by default. Joe Murphy, Lenovo NA LETS closed out with review of Error Message improvements and location of ThinkAgile MX and VX in the DCSC menus.

Tags: Technical Sales

Published: 2025-05-05

Length: 60 minutes

**Start the training:**

Employee link: [Grow@Lenovo](mailto:Grow@Lenovo)

Partner link: [Lenovo 360 Learning Center](#)

Course code: MAY0225

19. **Lenovo VTT Cloud Architecture: Intel Xeon 6: Performance and Efficiency**

2025-03-05 | 60 minutes | Employees and Partners

Intel Xeon 6 processors introduce a robust computing platform that excels at both performance and efficiency, crucial for meeting the evolving demands of modern data centers. Addressing the broadest array of uses and workloads, from compute-intensive HPC & AI to traditional enterprise apps to scalable cloud-native applications, Intel Xeon 6 provides versatility for diverse operational and workload requirements.

Please join our guest speakers, Bhanu Jaiswal, Intel Product Line Manager and Rakib Sarwar, Intel Technical Sales Manager as they discuss Intel's latest family of processors.

Tags: Artificial Intelligence (AI), Server, Technical Sales, ThinkAgile, ThinkSystem

Published: 2025-03-05

Length: 60 minutes

**Start the training:**

Employee link: [Grow@Lenovo](mailto:Grow@Lenovo)

Partner link: [Lenovo 360 Learning Center](#)

Course code: DVCLD220

## 20. Family Portfolio: Storage Controller Options

2025-03-03 | 25 minutes | Employees and Partners

This course covers the storage controller options available for use in Lenovo servers. The classes of storage controller are discussed, along with a discussion of where they are used, and which to choose.

After completing this course, you will be able to:

- Describe the classes of storage controllers
- Discuss where each controller class is used
- Describe the available options in each controller class

Tags: Sales, Storage

Published: 2025-03-03

Length: 25 minutes

### Start the training:

Employee link: [Grow@Lenovo](#)

Partner link: [Lenovo 360 Learning Center](#)

Course code: SXXW1111r2

## 21. Q4 Solutions Launch ThinkSystem SR630 V4, SR650 V4, SR650a V4 Update Quick Hit

2025-02-12 | 5 minutes | Employees and Partners

This Quick Hit covers 3 new Lenovo servers – the ThinkSystem SR630 V4, SR650 V4, and SR650a V4 - designed to drive today's workloads and elevate data centers of any size to AI-enabled powerhouses. With designed-in and proven reliability, ThinkSystem V4 servers with Intel® Xeon 6 processors deliver a secure, AI-ready, scalable data center building block. Your customers will enjoy efficient, high-performing AI and other compute-intensive app execution with any one of these servers.

Tags: Cloud, Server, Storage, ThinkSystem, XClarity

Published: 2025-02-12

Length: 5 minutes

### Start the training:

Employee link: [Grow@Lenovo](#)

Partner link: [Lenovo 360 Learning Center](#)

Course code: SXXW1204r14a

## 22. ThinkSystem Rack and Tower Introduction for ISO Client Managers

2024-12-10 | 20 minutes | Employees Only

In this course, you will learn about Lenovo's Data Center Portfolio, its ThinkSystem Family and the key features of the Rack and Tower servers. It will equip you with foundational knowledge which you can then expand upon by participating in the facilitated session of the curriculum.

Course Objectives:

- By the end of this course, you should be able to:
- Identify Lenovo's main data center brands.
- Describe the key components of the ThinkSystem Family servers.
- Differentiate between the Rack and Tower servers of the ThinkSystem Family.
- Understand the value Rack and Tower servers can provide to customers.

Tags: Server, ThinkSystem

Published: 2024-12-10

Length: 20 minutes

### Start the training:

Employee link: [Grow@Lenovo](#)

Course code: DSRT0101r2

## 23. Introduction to the Intel Xeon 6 Processors

2024-10-22 | 25 minutes | Employees and Partners

Designed specifically for Lenovo and its partner technical sellers, this course aims to equip you with the knowledge and skills to effectively communicate the key features of Intel Xeon 6 Processors. By completing this course, you'll be better prepared to understand customer needs and present the Intel Xeon 6 Processors' capabilities, ensuring successful engagements and driving value for your clients.

When you complete this course, you should be able to:

- Describe the Intel® Xeon® 6 processors
- Detail the features of the Xeon 6 processors
- Discuss the family value proposition

Tags: Server

Published: 2024-10-22

Length: 25 minutes

### Start the training:

Employee link: [Grow@Lenovo](#)

Partner link: [Lenovo 360 Learning Center](#)

Course code: SXXW2531

## 24. SAP Webinar for Lenovo Sellers: Lenovo Portfolio Update for SAP Landscapes

2024-06-04 | 60 minutes | Employees Only

Join Mark Kelly, Advisory IT Architect with the Lenovo Global SAP Center of Competence as he discusses:

- Challenges in the SAP environment
- Lenovo On-premise Solutions for SAP
- Lenovo support resources for SAP solutions

Tags: SAP, ThinkAgile, ThinkEdge, ThinkSystem

Published: 2024-06-04

Length: 60 minutes

### Start the training:

Employee link: [Grow@Lenovo](mailto:Grow@Lenovo)

Course code: DSAPF101

## Related publications and links

For more information, see these resources:

- Lenovo ThinkSystem SR630 V4 product page:  
<https://www.lenovo.com/us/en/p/servers-storage/servers/racks/lenovo-thinksystem-sr630-v4/len21ts0035>
- ThinkSystem SR630 V4 datasheet  
<https://lenovopress.lenovo.com/datasheet/ds0185-lenovo-thinksystem-sr630-v4>
- Interactive 3D Tour of the ThinkSystem SR630 V4:  
<https://lenovopress.lenovo.com/lp1985>
- ThinkSystem SR630 V4 drivers and support  
<http://datacentersupport.lenovo.com/products/servers/thinksystem/sr630v4/7dg9/downloads>
- Lenovo ThinkSystem SR630 V4 product publications:  
<https://pubs.lenovo.com/sr630-v4/>
  - User Guide, which includes:
    - System Configuration Guide
    - Hardware Maintenance Guide
  - Rack Installation Guides
  - Messages and Codes Reference
  - UEFI Manual for ThinkSystem Servers
- SR630 V4 hardware repair & replacement videos:  
[https://www.youtube.com/playlist?list=PLYV5R7hVcs-Cco5vT5AB-w2w\\_5B8zq3qv](https://www.youtube.com/playlist?list=PLYV5R7hVcs-Cco5vT5AB-w2w_5B8zq3qv)
- User Guides for options:  
<https://serveroption.lenovo.com>
- ServerProven hardware compatibility:  
<http://serverproven.lenovo.com>

## Related product families

Product families related to this document are the following:

- [2-Socket Rack Servers](#)
- [ThinkSystem SR630 V4 Server](#)

## Notices

Lenovo may not offer the products, services, or features discussed in this document in all countries. Consult your local Lenovo representative for information on the products and services currently available in your area. Any reference to a Lenovo product, program, or service is not intended to state or imply that only that Lenovo product, program, or service may be used. Any functionally equivalent product, program, or service that does not infringe any Lenovo intellectual property right may be used instead. However, it is the user's responsibility to evaluate and verify the operation of any other product, program, or service. Lenovo may have patents or pending patent applications covering subject matter described in this document. The furnishing of this document does not give you any license to these patents. You can send license inquiries, in writing, to:

Lenovo (United States), Inc.  
8001 Development Drive  
Morrisville, NC 27560  
U.S.A.  
Attention: Lenovo Director of Licensing

LENOVO PROVIDES THIS PUBLICATION "AS IS" WITHOUT WARRANTY OF ANY KIND, EITHER EXPRESS OR IMPLIED, INCLUDING, BUT NOT LIMITED TO, THE IMPLIED WARRANTIES OF NON-INFRINGEMENT, MERCHANTABILITY OR FITNESS FOR A PARTICULAR PURPOSE. Some jurisdictions do not allow disclaimer of express or implied warranties in certain transactions, therefore, this statement may not apply to you.

This information could include technical inaccuracies or typographical errors. Changes are periodically made to the information herein; these changes will be incorporated in new editions of the publication. Lenovo may make improvements and/or changes in the product(s) and/or the program(s) described in this publication at any time without notice.

The products described in this document are not intended for use in implantation or other life support applications where malfunction may result in injury or death to persons. The information contained in this document does not affect or change Lenovo product specifications or warranties. Nothing in this document shall operate as an express or implied license or indemnity under the intellectual property rights of Lenovo or third parties. All information contained in this document was obtained in specific environments and is presented as an illustration. The result obtained in other operating environments may vary. Lenovo may use or distribute any of the information you supply in any way it believes appropriate without incurring any obligation to you.

Any references in this publication to non-Lenovo Web sites are provided for convenience only and do not in any manner serve as an endorsement of those Web sites. The materials at those Web sites are not part of the materials for this Lenovo product, and use of those Web sites is at your own risk. Any performance data contained herein was determined in a controlled environment. Therefore, the result obtained in other operating environments may vary significantly. Some measurements may have been made on development-level systems and there is no guarantee that these measurements will be the same on generally available systems. Furthermore, some measurements may have been estimated through extrapolation. Actual results may vary. Users of this document should verify the applicable data for their specific environment.

**© Copyright Lenovo 2026. All rights reserved.**

This document, LP1971, was created or updated on May 5, 2026.

Send us your comments in one of the following ways:

- Use the online Contact us review form found at:  
<https://lenovopress.lenovo.com/LP1971>
- Send your comments in an e-mail to:  
[comments@lenovopress.com](mailto:comments@lenovopress.com)

This document is available online at <https://lenovopress.lenovo.com/LP1971>.

## Trademarks

Lenovo and the Lenovo logo are trademarks or registered trademarks of Lenovo in the United States, other countries, or both. A current list of Lenovo trademarks is available on the Web at <https://www.lenovo.com/us/en/legal/copytrade/>.

The following terms are trademarks of Lenovo in the United States, other countries, or both:

Lenovo®  
AnyBay®  
Neptune®  
ServerProven®  
System x®  
ThinkAgile®  
ThinkShield®  
ThinkSystem®  
XClarity®

The following terms are trademarks of other companies:

AMD is a trademark of Advanced Micro Devices, Inc.

Intel®, the Intel logo, Intel Core®, and Xeon® are trademarks of Intel Corporation or its subsidiaries.

Linux® is the trademark of Linus Torvalds in the U.S. and other countries.

Microsoft®, ActiveX®, Georgia®, Hyper-V®, PowerShell, SharePoint®, Windows PowerShell®, Windows Server®, and Windows® are trademarks of Microsoft Corporation in the United States, other countries, or both.

IBM® and IBM Security® are trademarks of IBM in the United States, other countries, or both.

Other company, product, or service names may be trademarks or service marks of others.