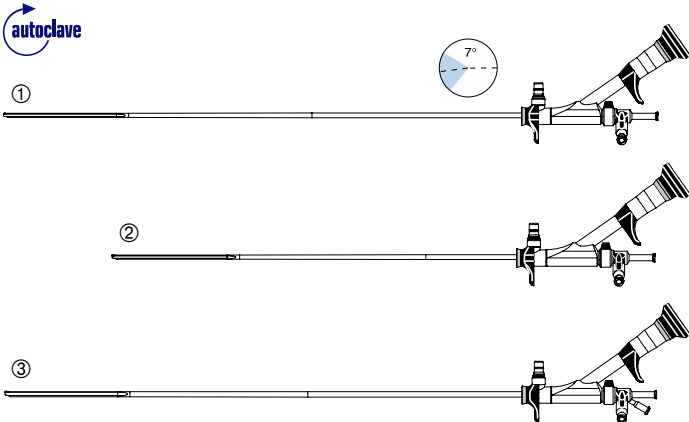


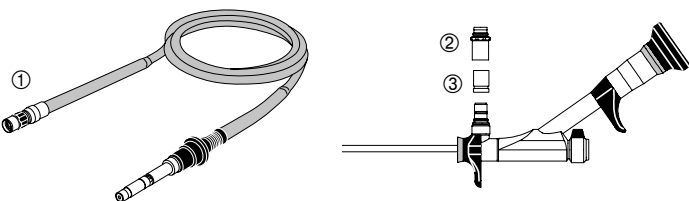
**OES Pro Ureteroscopes**

- | | | |
|---|-----------------|--|
| ① | WA29040A | Ureteroscope,
7° direction of view, angled ocular, 6.4/7.9 Fr. x 430 mm,
4.2 Fr. channel, with attachment WA00395A |
| | WA29040B | Ureteroscope,
7° direction of view, angled ocular, 6.4/7.9 Fr. x 430 mm,
4.2 Fr. channel, with attachment A0395 |
| ② | WA29041A | Ureteroscope,
7° direction of view, angled ocular, 6.4/7.9 Fr. x 330 mm,
4.2 Fr. channel with attachment WA00395A |
| ③ | WA29042A | Ureteroscope,
7° direction of view, angled ocular, 8.6/9.8 Fr. x 430 mm,
6.4 Fr. channel with attachment WA00396A |
| | WA29042B | Ureteroscope,
7° direction of view, angled ocular, 8.6/9.8 Fr. x 430 mm,
6.4 Fr. channel with attachment A0396 |

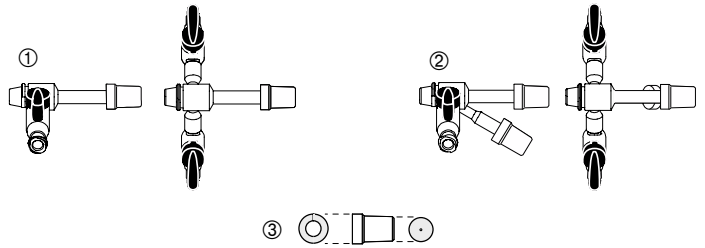
For maximum passage, see page 129.

Delivery includes:

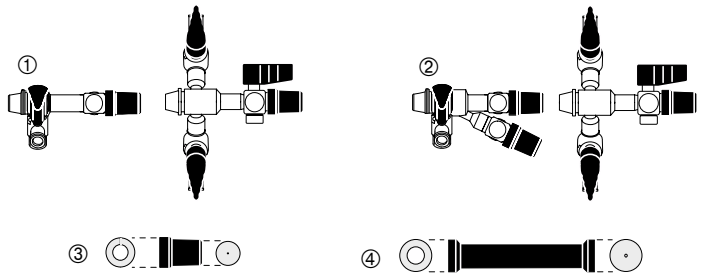
Telescope, attachment, instrument tray, sealing caps

Light-Guide Cable and Adapter

- | | | |
|---|-----------------|--|
| ① | WA03300A | Light-guide cable, 2.8 mm, 3 m, CF type |
| ② | A0460 | Light-guide adapter, for OES 4000 light-guide cables |
| ③ | O0332 | Light-guide adapter, for Wolf light-guide cables |

Attachments with Self-Sealing Caps

- | | | |
|---|-----------------|---|
| ① | WA00395A | Attachment, one-way, with two irrigation ports |
| ② | WA00396A | Attachment, two-way, with two irrigation ports |
| ③ | WA00387A | Sealing cap, 0.7 mm, transparent,
sterile, single use, 10 pcs. |

Attachments with Stopcocks

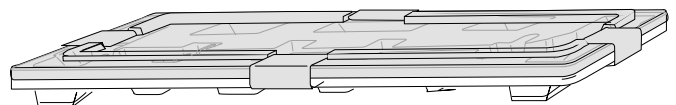
- | | | |
|---|--------------|---|
| ① | A0395 | Attachment, one-way, with two irrigation ports |
| ② | A0396 | Attachment, two-way, with two irrigation ports |
| ③ | A0387 | Sealing cap, black, 0.7 mm, 10 pcs.
▪ Reusable/non-sterile |
| ④ | A0286 | Sealing cap, black, 0.4 mm, kink protection, 6 pcs.
▪ Reusable/non-sterile |

Biopsy Port Seals

For biopsy port seals, see page 134.

Stone Management

For stone management instruments, see page 137.

Instrument Tray

- | | |
|--------------|---|
| A5961 | Instrument tray, for ureteroscope and light-guide cable |
|--------------|---|

For plastic instrument trays, see page 637.