



Digital Micrometer IP65

Item number: 293-230-30

Images





Dust- and
Water-
Protected

www.tuv.com
ID 0000040191

Description

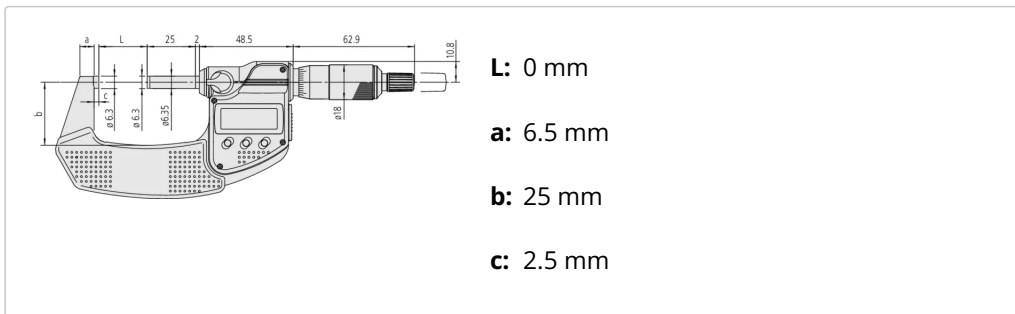
A Mitutoyo waterproof digital micrometer suitable for use in the presence of coolant or cutting oil. The highly stable frame incorporates a heat shield to preserve accuracy over extended measuring sessions. A ratchet thimble guarantees repeatable measurement. Digimatic data output.

Features

Model:	MDC-25MX
Digital/Analog:	Digital
Delivered:	Including box, spanner, SR44 battery, certificate of inspection
Inch-Metric:	Metric
Range:	0 - 25 mm
Digital step:	0.001 mm
Max. Permissible Error J MPE:	$\pm 1 \mu\text{m}$
Flatness:	$0.3 \mu\text{m}$
Parallelism:	$1 \mu\text{m}$
Data output:	Yes
Display:	LCD, character height 7.5 mm

Measuring face:	Carbide-tipped, micro-lap finish
Measuring spindle:	With spindle lock, $\varnothing 6.35$ mm, spindle pitch 0.5 mm
Scale:	Thimble and sleeve satin chrome finish, $\varnothing 18$ mm
Measuring force:	5 - 10 N
Power supply:	1 battery SR-44
Battery life:	Approx. 2.4 years for models ≤ 100 mm 1.2 years for > 100 mm
ABS / INC (INC ZERO):	Yes
Auto Power OFF after 20 min. non use:	Yes
Low voltage alarm:	Yes
Function lock:	Yes
HOLD:	Yes
2 x PRESET (over 100 mm):	Yes
Mass:	270 g

Dimensions



Accessories

Proposed additional product:



Digimatic Cable with Data Button IP Type

1m, Micrometer Type
Art No. 05CZA662
Suggested retail price: 105.00 €*



Digimatic Cable with Data Button IP Type

2m, Micrometer Type
Art No. 05CZA663
Suggested retail price: 107.00 €*



USB Input Tool Direct (Digimatic to USB)

2m Cable, Digimatic/Digimatic 2, with Data
Button IP Micrometer Type
Art No. 06AFM380B
Suggested retail price: **141.00 €***



U-WAVE fit, IP67 Type

Wireless Transmitter for
Micrometer/Indicator
Art No. 264-622
Suggested retail price: **185.00 €***



U-WAVE fit, Buzzer Type

Wireless Transmitter for
Micrometer/Indicator
Art No. 264-623
Suggested retail price: **185.00 €***



Connection Unit for IP Caliper, Micrometer

with Data Button for U-WAVE fit, U-WAVE fit
Bluetooth

Art No. 02AZF310

Suggested retail price: **110.00 €***

Optional accessories:



Digimatic Cable with Data Button IP Type

1m, Micrometer Type

Art No. 05CZA662

Suggested retail price: **105.00 €***



Digimatic Cable with Data Button IP Type

2m, Micrometer Type
Art No. 05CZA663
Suggested retail price: 107.00 €*



USB Input Tool Direct (Digimatic to USB)

2m Cable, Digimatic/Digimatic 2, with Data Button IP Micrometer Type
Art No. 06AFM380B
Suggested retail price: 141.00 €*



U-WAVE fit, IP67 Type

Wireless Transmitter for Micrometer/Indicator
Art No. 264-622
Suggested retail price: 185.00 €*



U-WAVE fit, Buzzer Type

Wireless Transmitter for
Micrometer/Indicator

Art No. 264-623

Suggested retail price: 185.00 €*



U-WAVE fit Bluetooth, IP67 Type

Wireless Transmitter for
Micrometer/Indicator

Art No. 264-626

Suggested retail price: 185.00 €*



U-WAVE fit Bluetooth, Buzzer Type

Wireless Transmitter for
Micrometer/Indicator

Art No. 264-627

Suggested retail price: 185.00 €*



Connection Unit for IP Caliper, Micrometer

with Data Button for U-WAVE fit, U-WAVE fit
Bluetooth

Art No. 02AZF310

Suggested retail price: **110.00 €***



Micrometer Stand, 45° Angle Type

for Micrometer 0-50mm/0-2"

Art No. 156-105-10

Suggested retail price: **58.00 €***



Micrometer Stand, Adjustable Angle Type

for Micrometer 0-100mm/0-4"

Art No. 156-101-10

Suggested retail price: **70.00 €***

Spare parts

Consumable spares:



Battery SR44 1,5 V

Art No. 938882

Suggested retail price: 10.00 €*
