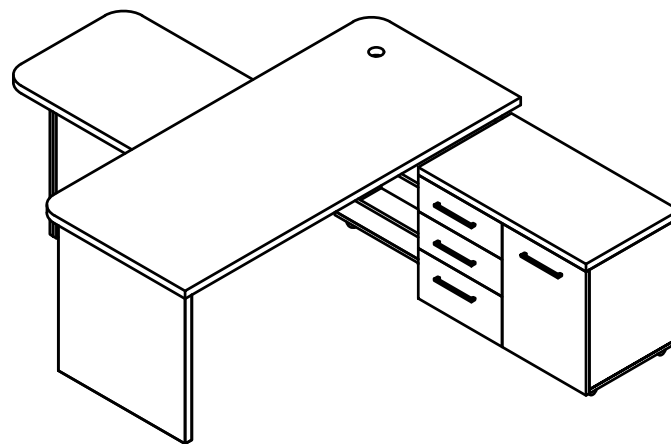
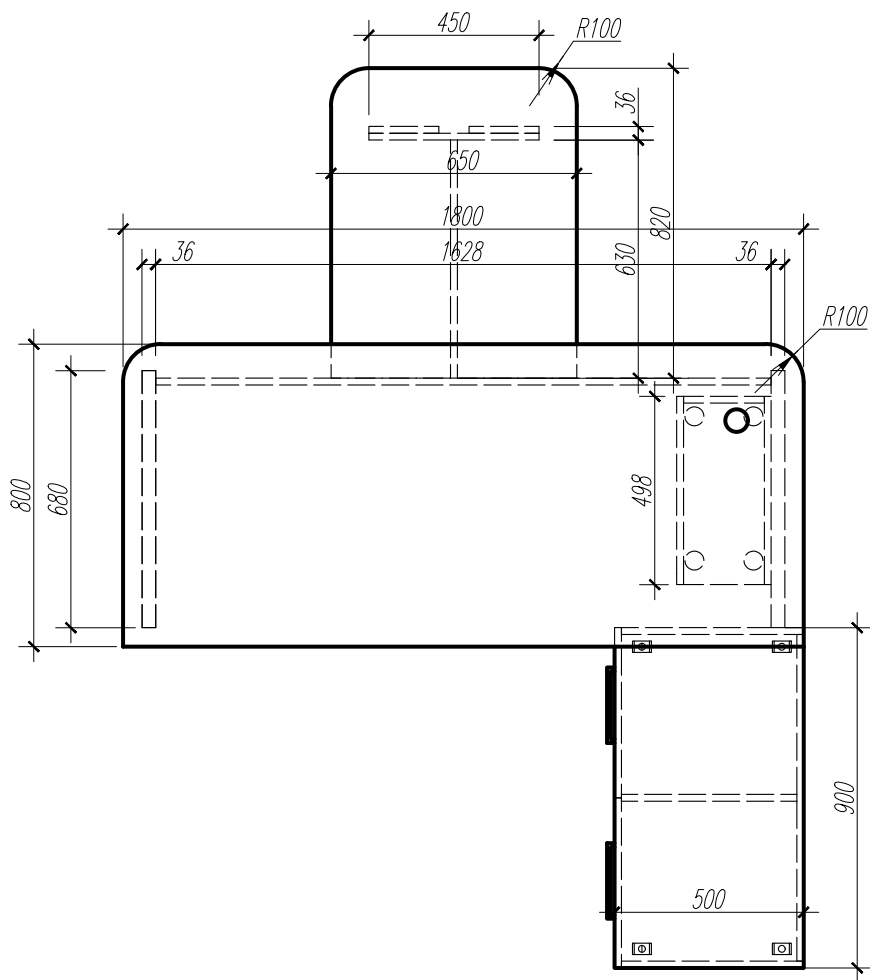
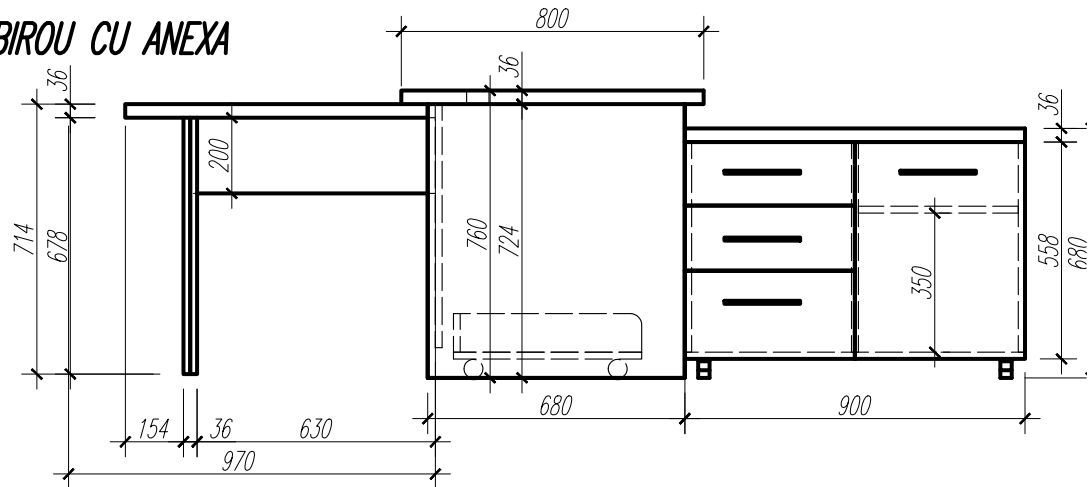
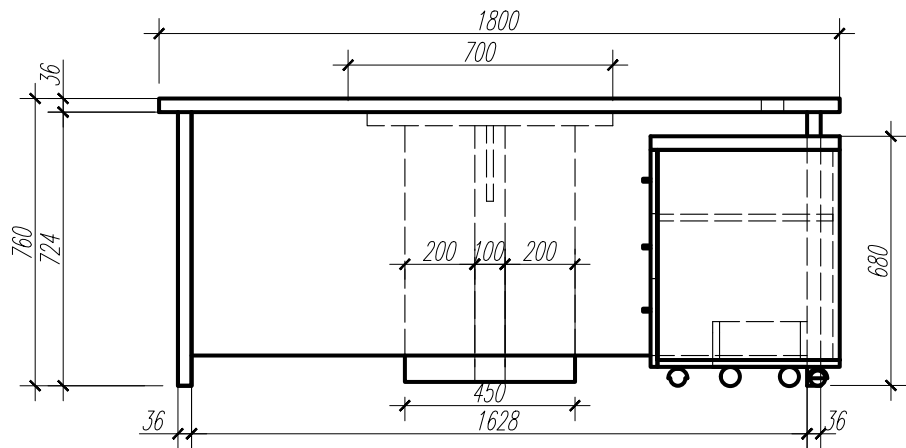
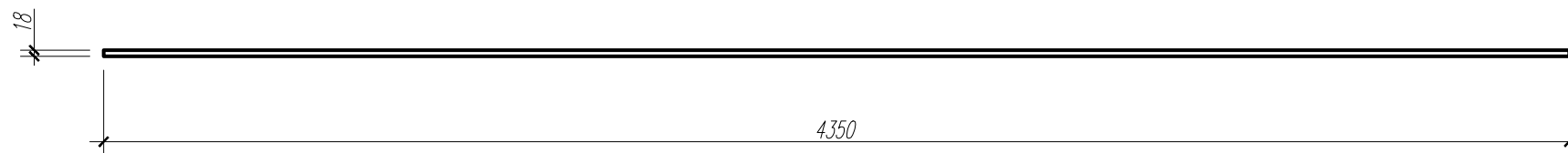
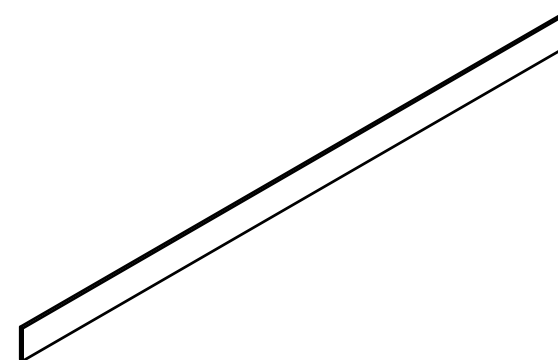
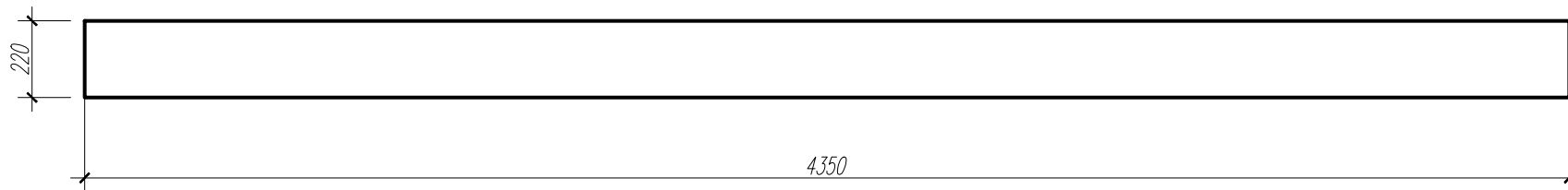


Client: USMF  
**BIROU CU ANEXA**



*Client: USMF*

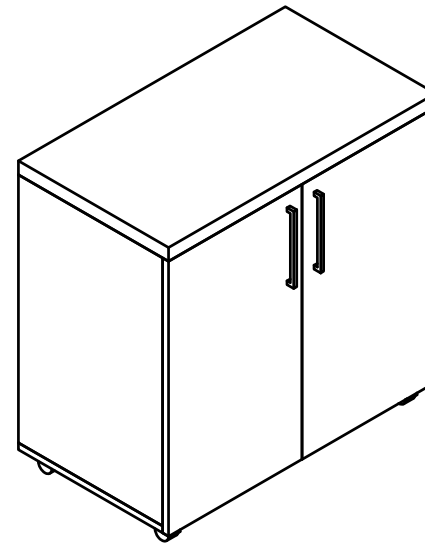
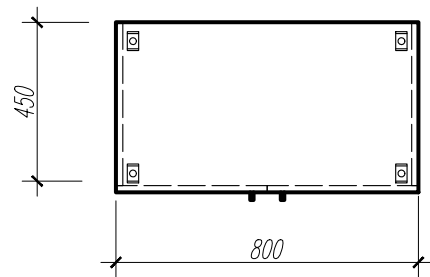
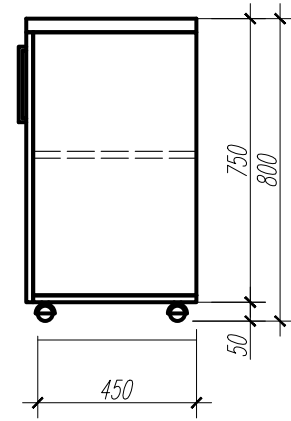
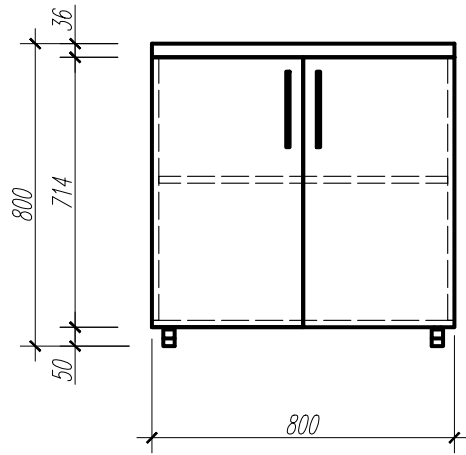
***BRIU***



*1 buc.*

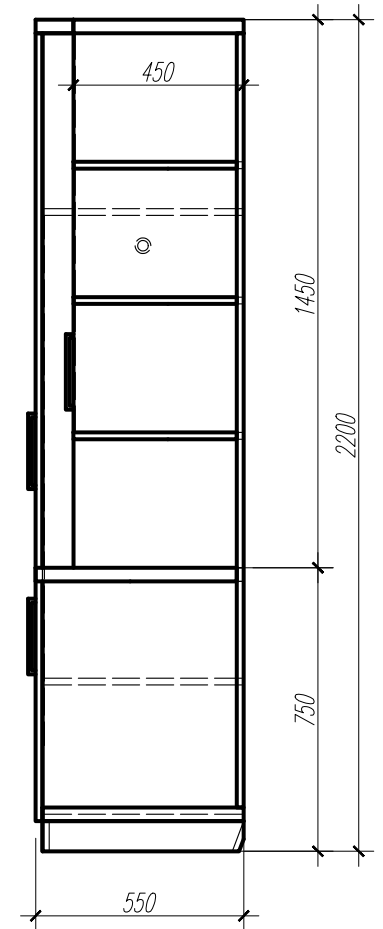
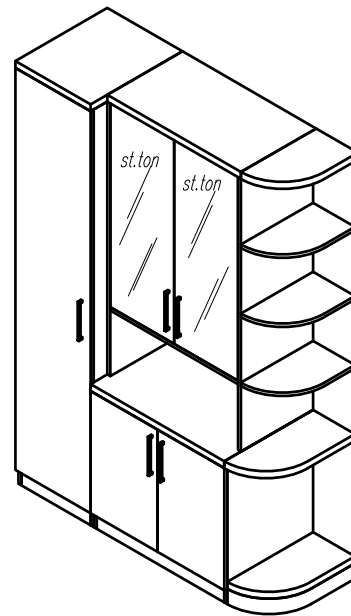
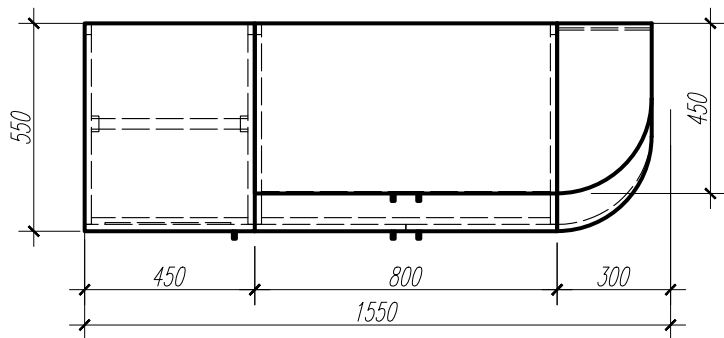
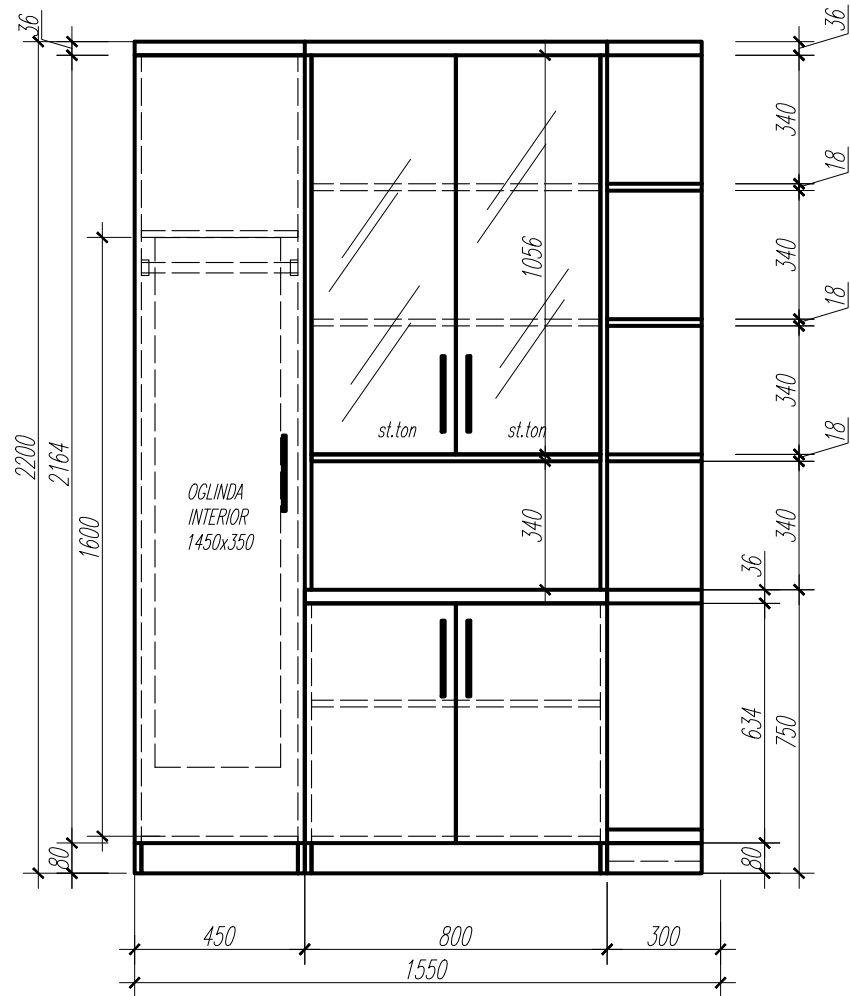
Client: USMF

# COMODA



1 buc.

Client: USMF  
DULAP HAINE-MAPE



Client: USMF  
plan d.Toderas

