

Shut-off butterfly valves, reduced bore

BRS W2/GS series, $\Delta p = 25$ bar, welding / welding, GOST, DN 900-1600, reduced bore

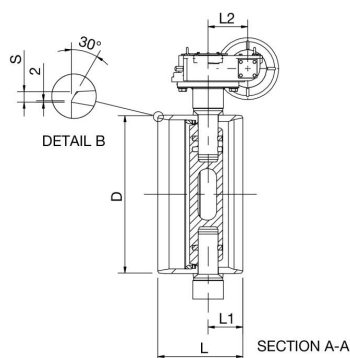
Body	DN 900-1600 Steel P355NL1 (1.0566) / P355QH1 (1.0571)
Disc	DN 900-1600 Stainless steel, GX5CrNiMo19-11-2 (1.4408)
Seat	DN 900-1600 1.4542 + HCr plating
Stem	DN 900-1600 Stainless steel, X3CrNiMoN27-5-2 (1.4460)
Stem seal	DN 900-1600 FPM
Bearing	DN 900-1600 PTFE + AISI 316 net
Operation	DN 900-1400 Valve is equipped with manual gear



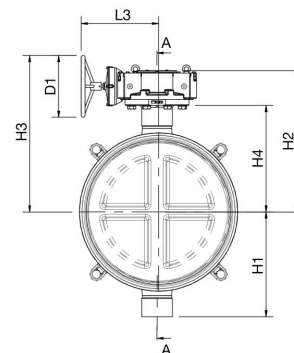
Operation conditions

Body:	PN 25
Trim:	$\Delta p = 25$ bar
Temperature:	-40 °C – +200 °C
	Below 0 °C contact manufacturer
Leakage rate:	A or B (EN 12266-1)
	Depending on requirement
Not for steam	

DN 900-1600



DN 900-1600



DN	PN	Product no.	D	D1	H1	H2	H3	H4	L	L1	L2	L3	S	kg
900	25	BRS900W2/GS	920	400.0	631	853	948	623	510	221	256	505	14	1067.0
1000	25	BRS1000W2/GS	1020	400.0	678	919	1014	689	550	224	256	506	15	1289.0
1200	25	BRS1200W2/GS	1220	500.0	730	1157	1273	856	580	285	250	632	15	2112.0
1400	25	BRS1400W2/GS	1420	630.0	871	1272	1456	963	600	228	250	636	18	2863.0
1600	25	BRS1600W2/GS	1620	800.0	1036	1574	1734	1104	790	372,5	400	901	20	5784.0