



LTD pipeline pump

SHANGHAI LIANSHENG PUMP-MAKING CO., LTD

Liansheng Headquarters: 918 Xinjin Road, Qingpu District, Shanghai

Production Base: 51 Guohua Road, Guangde Economic Development Zone, Xuancheng, Anhui

Sales Hotline: 021 5927 0745

E-mail: sales@lianshengpump.com

Service hotline: 400 103 1112



2023.7

SHANGHAI LIANSHENG PUMP-MAKING CO.,LTD.



LIANSHENGPUMP

Shanghai Liansheng Pump-Making Co., Ltd. was established in 1967 and is a technology-based private enterprise that integrates production, manufacturing, design, research and development, and product sales; The product is widely used in areas such as building domestic water supply, fire water supply, boilers, air conditioning circulating cooling, and sewage discharge.

In 2018, the enterprise carried out Digital transformation, created a smart water service platform, and realized remote monitoring of intelligent water supply equipment, such as water quality, pressure, flow, equipment operation status, motor life, energy consumption, etc; At the same time, we have combined AR technology to create a 5G smart factory, achieving real-time communication and visits in different places, and have over 200 sets of advanced automated and intelligent production equipment.

Headquartered at No. 918, Xinjin Road, Qingpu District, Shanghai, covering an area of 33 mu and a building area of 34000 m².

The production base is located at No. 51, Guohua Road, Guangde City, Xuancheng, Anhui Province, covering an area of 61 mu and a building area of 43000 m².

Liansheng Former Site



1967

Shanghai Liansheng Pump Manufacturing Co., Ltd Company (formerly Shanghai Liansheng Water Pump Factory) Built in the 1960s



Shanghai Headquarters



1998

98 National Invention Competition "Excellent Product Award"



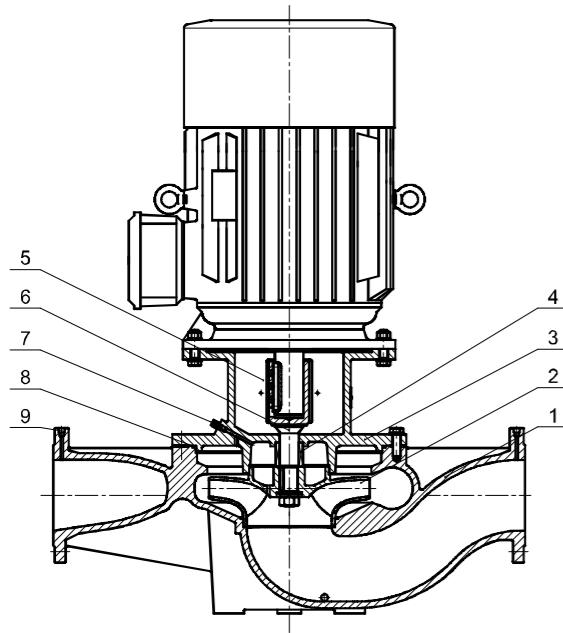
Anhui Factory



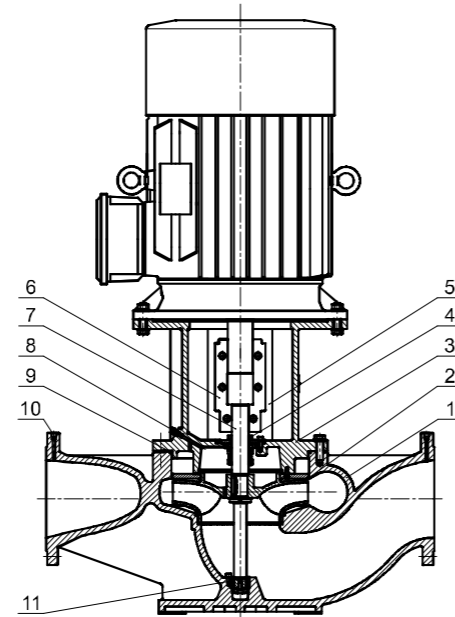
2018

The developing Liansheng is constantly striving. We will provide our customers with higher quality products. Our products offer better service.

Section LTD32-LTD150
Extended Axis



Section drawing LTD200-LTD550
detachable type



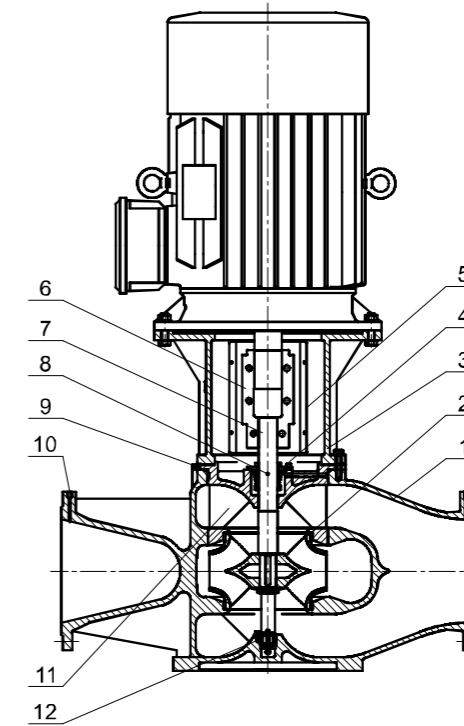
LTD32-LTD150Material List

NO.	Part Name	Material	AISI/ASTM
1	Pump body	cast ironHT200	ASTM25B
2	impeller	Cast iron/stainless steel HT200/ZG07Cr19Ni9	ASTM25B/ AISI304
3	Pump head	cast ironHT200	ASTM25B
4	mechanical seal	Graphite/Silicon Carbide	
5	Protective board	Stainless steel 06Cr19Ni10	AISI304
6	Pump shaft	Stainless steel 20Cr13	AISI420
7	Air release assembly	Stainless steel 06Cr19Ni10	AISI304
8	O-ring	Nitrile rubber NBR	
9	Plug	Stainless steel 06Cr19Ni10	AISI304

LTD200-LTD250Material List

NO.	Part Name	Material	AISI/ASTM
1	Pump body	cast ironHT200	ASTM25B
2	impeller	Cast iron/stainless steel HT200/ZG07Cr19Ni9	ASTM25B/ AISI304
3	Pump head	cast ironHT200	ASTM25B
4	mechanical seal	Graphite/Silicon Carbide	
5	Protective board	Stainless steel 06Cr19Ni10	AISI304
6	coupling	Cast steel ZG270-500	ASTM485-275
7	Pump shaft	Stainless steel 20Cr13	AISI420
8	Air release assembly	Stainless steel 06Cr19Ni10	AISI304
9	O-ring	Nitrile rubber NBR	
10	Plug	Stainless steel 06Cr19Ni10	AISI304
11	sliding bearing	Hard alloy Yg8	

Section view LTD detachable type

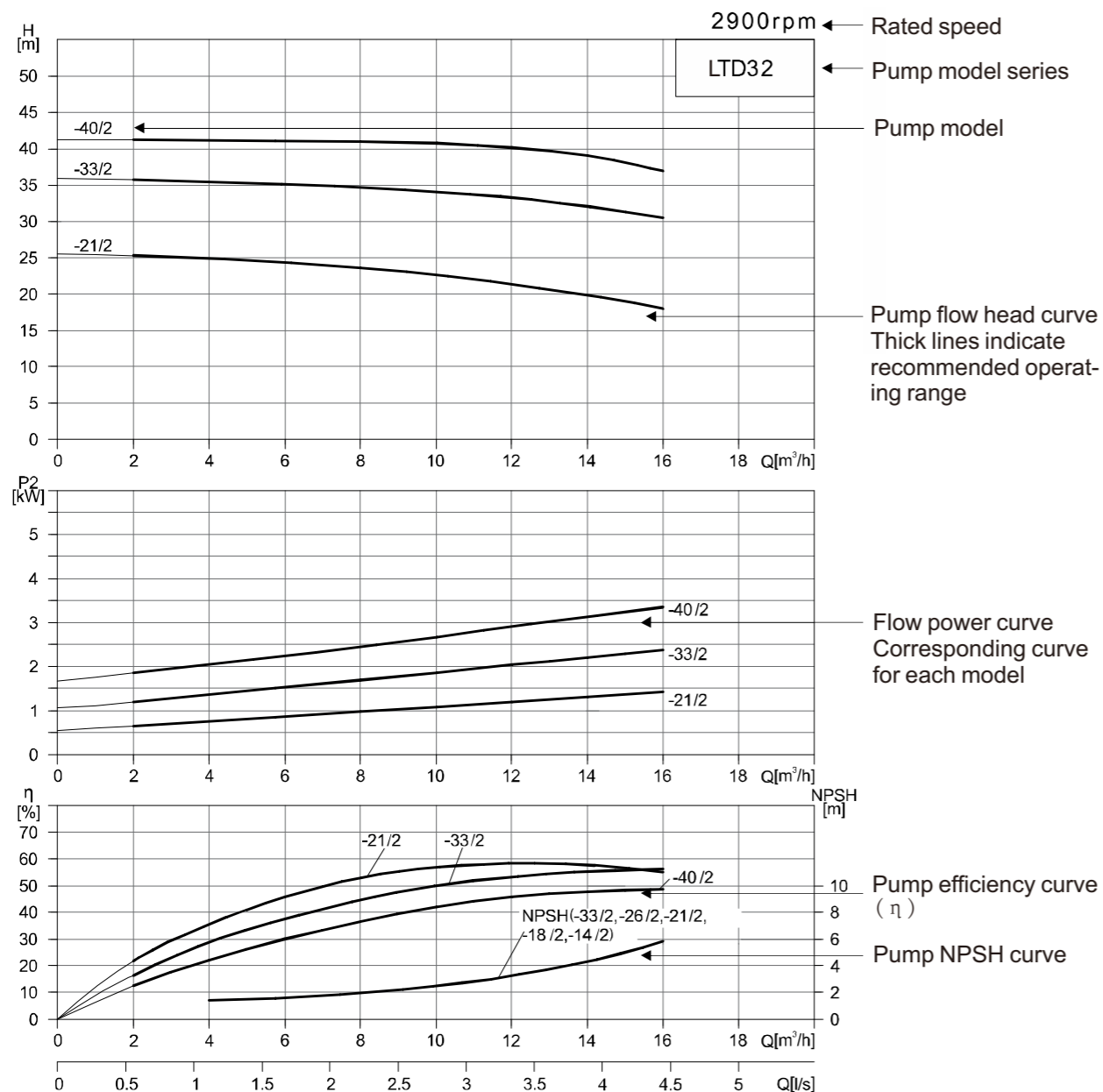


LTD300Material List

NO.	Part Name	Material	AISI/ASTM
1	Pump body	Ductile iron QT500-7	ASTM80-55-06
2	impeller	Cast iron/stainless steel HT200/ZG07Cr19Ni9	ASTM25B/ AISI304
3	Pump head	cast ironHT200	ASTM25B
4	mechanical seal	Graphite/Silicon Carbide	
5	Protective board	Stainless steel 06Cr19Ni10	AISI304
6	coupling	Cast steel ZG270-500	ASTM485-275
7	Pump shaft	Stainless steel 20Cr13	AISI420
8	Air release assembly	Stainless steel 06Cr19Ni10	AISI304
9	O-ring	Nitrile rubber NBR	
10	Plug	Stainless steel 06Cr19Ni10	AISI304
11	Pump cover	Ductile iron QT500-7	ASTM80-55-06
12	sliding bearing	Hard alloy Yg8	

Curve chart

How to read a curve chart

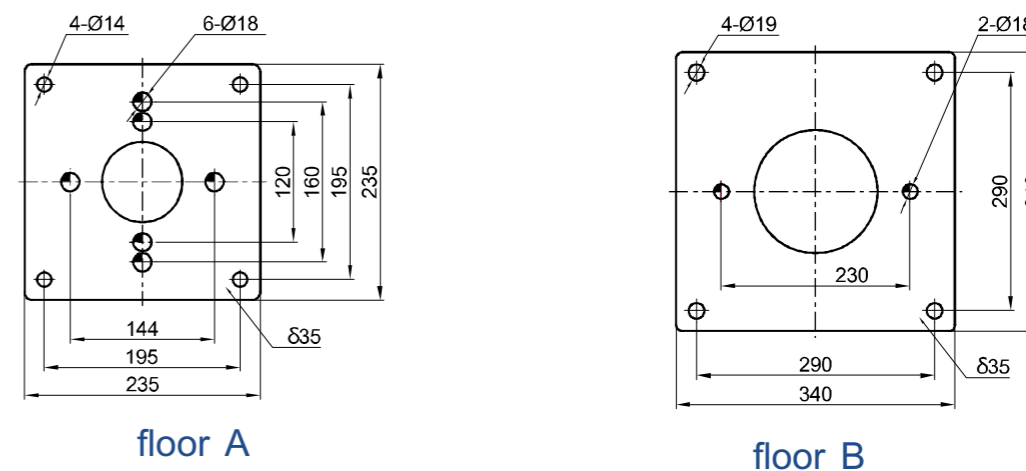


Curve conditions

The following instructions apply to the performance curve shown later:

1. The curve tolerance complies with ISO9906:2012, Grade 3B;
2. All curves are based on measurements of 3x380V at constant speeds of 2900rpm, 1480rpm, or 1450rpm for the motor
3. The experimental medium is clean water with a temperature of 20 °C, free from any solid impurities and air;
4. The use of pumps refers to the performance range of the bold curve to prevent overheating caused by low flow and motor overload caused by excessive flow.

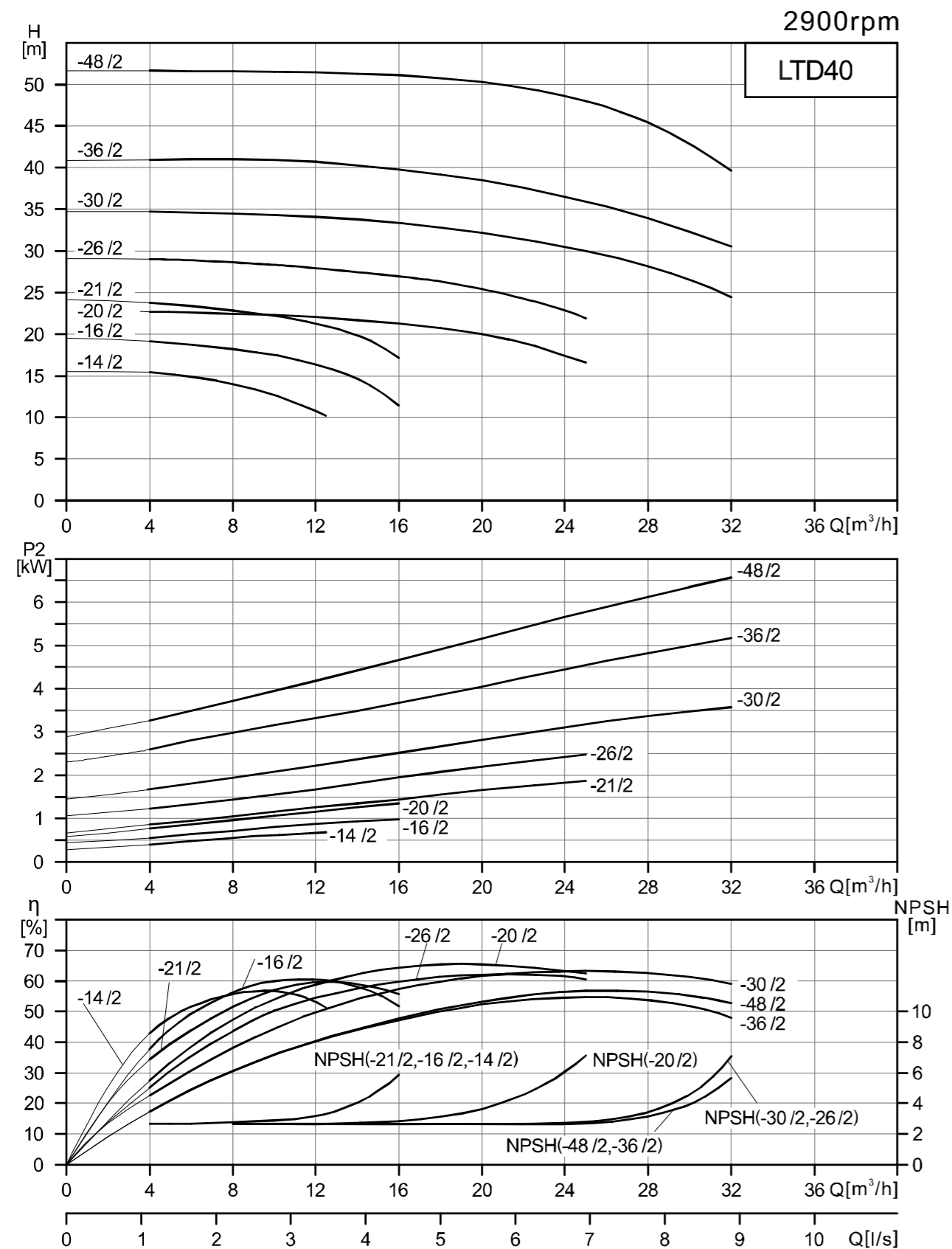
Attachment - Bottom Plate



NO.	Product model	Base plate model	NO.	Product model	Base plate model	NO.	Product model	Base plate model
1	LTD32-14/2	A	30	LTD50-70/2	A	58	LTD100-17/2	A
2	LTD32-18/2	A	31	LTD50-81/2	A	59	LTD100-22/2	A
3	LTD32-21/2	A	32	LTD65-37/2	A	60	LTD100-27/2	A
4	LTD32-26/2	A	33	LTD65-48/2	A	61	LTD100-33/2	A
5	LTD32-33/2	A	34	LTD65-15/2	A	62	LTD100-35/2	B
6	LTD32-40/2	A	35	LTD65-20/2	A	63	LTD100-40/2	B
7	LTD32-50/2	A	36	LTD65-22/2	A	64	LTD100-48/2	B
8	LTD40-14/2	A	37	LTD65-30/2	A	65	LTD100-52/2	B
9	LTD40-16/2	A	38	LTD65-34/2	A	66	LTD125-11/4	B
10	LTD40-21/2	A	39	LTD65-41/2	A	67	LTD125-14/4	B
11	LTD40-20/2	A	40	LTD65-51/2	A	68	LTD125-19/4	B
12	LTD40-26/2	A	41	LTD65-61/2	A	69	LTD125-22/4	B
13	LTD40-30/2	A	42	LTD65-68/2	A	70	LTD125-28/4	B
14	LTD40-36/2	A	43	LTD65-85/2	A	71	LTD125-32/4	B
15	LTD40-48/2	A	44	LTD80-41/2	A	72	LTD125-40/4	B
16	LTD50-32/2	A	45	LTD80-48/2	A	73	LTD125-48/4	B
17	LTD50-39/2	A	46	LTD80-13/2	A	74	LTD150-12.5/4	B
18	LTD50-49/2	A	47	LTD80-18/2	A	75	LTD150-18/4	B
19	LTD50-59/2	A	48	LTD80-23/2	A	76	LTD150-22/4	B
20	LTD50-80/2	A	49	LTD80-29/2	A	77	LTD150-24.5/4	B
21	LTD50-12/2	A	50	LTD80-32/2	A	78	LTD150-27/4	B
22	LTD50-15/2	A	51	LTD80-38/2	A	79	LTD150-30/4	B
23	LTD50-18/2	A	52	LTD80-47/2	A	80	LTD150-30.5/4	B
24	LTD50-24/2	A	53	LTD80-54/2	A	81	LTD150-33/4	B
25	LTD50-28/2	A	54	LTD80-60/2	A	82	LTD150-35/4	B
26	LTD50-35/2	A	55	LTD80-67/2	A	83	LTD150-37/4	B
27	LTD50-40/2	A	56	LTD100-9/2	A	84	LTD150-42/4	B
28	LTD50-50/2	A	57	LTD100-15/2	A	85	LTD150-50/4	B
29	LTD50-60/2	A						

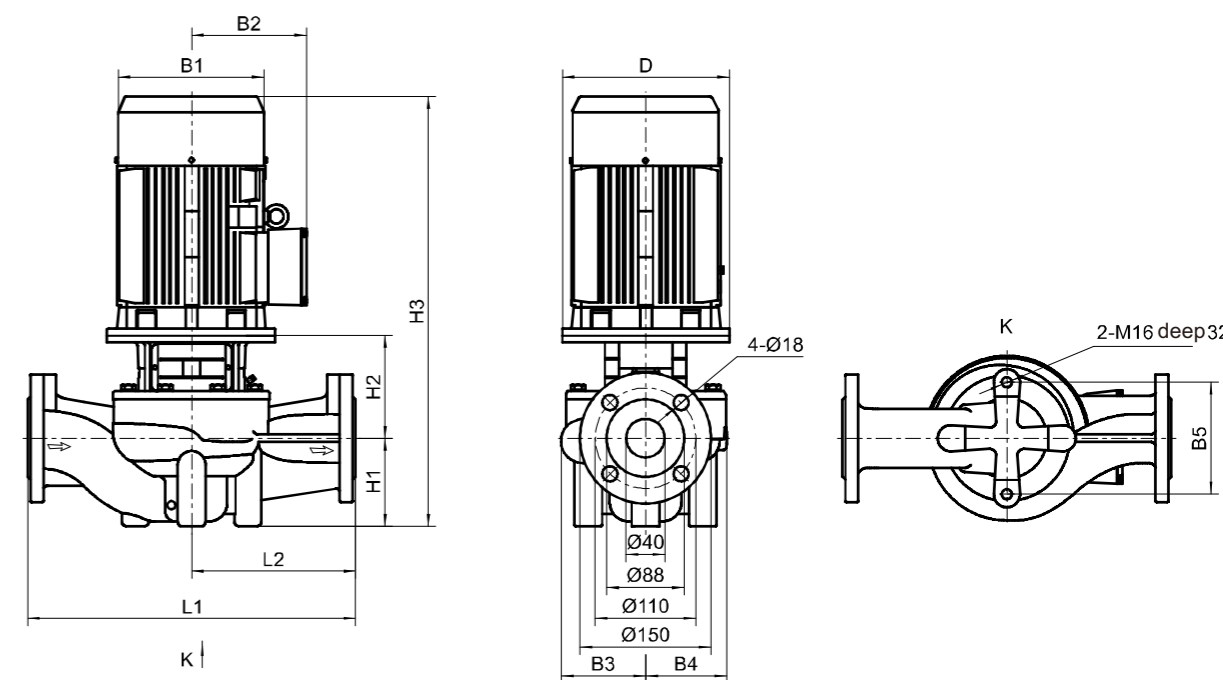
Note: The bottom plate is an optional part, and customers who require it must specify it when placing an order!

performance curve



LTD40 Performance Table

model	motor(kW)	Q (m³/h)	4	8	12.5	16	20	25	28	32
LTD40-14/2	0.75	H (m)	15.4	14	10.2					
LTD40-16/2	1.1		19.1	18.2	16	11.4				
LTD40-21/2	1.5		23.8	22.9	21	17.1				
LTD40-20/2	2.2		22.7	22.5	22	21.3	20	16.6		
LTD40-26/2	3		29	28.6	27.8	26.7	26	21.9		
LTD40-30/2	4		34.7	34.5	34.1	33.4	32.2	30	28.2	24.5
LTD40-36/2	5.5		40.9	41	40.7	39.8	38.5	36	34.1	30.5
LTD40-48/2	7.5		51.6	51.6	51.4	51.1	50.3	48	45.4	39.6



Size and weight

model	size (mm)										weight (kg)	
	D	B1	B2	B3	B4	B5	H1	H2	H3	L1		L2
LTD40-14/2	122	151	125	98	95	120	68	139	451	320	160	31
LTD40-16/2	122	151	125	98	95	120	68	139	451	320	160	32
LTD40-21/2	140	171	137	98	95	120	68	149	504	320	160	38
LTD40-20/2	140	171	137	105	95	144	85	144	516	320	160	43
LTD40-26/2	160	196	150	116	109	144	85	156	578	340	170	54
LTD40-30/2	160	214	169	116	109	144	85	156	583	340	170	62
LTD40-36/2	200	257	190	133	128	144	90	181	654	380	190	85
LTD40-48/2	200	257	190	133	128	144	90	181	654	380	190	94

Note: The size of single-phase motors and explosion-proof motors has changed. Please consult our company for details!