

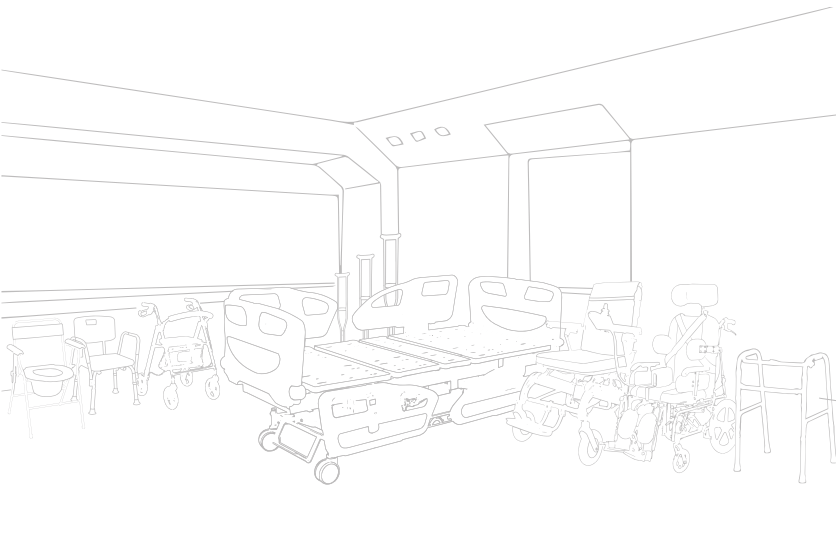


JIANLIAN

2019—2020

WHEELCHAIR COMMODE ROLLATOR
WALKING STICK HOSPITAL BED...

JIANLIAN HOMECARE PRODUCTS CO.,LTD



SINCE 1993



OEM,ODM CUSTOMIZED R&D

CERTIFICATES

CE FDA



COMPANY PROFILE

Established in 1993, Jianlian Aluminums Co., LTD. [at Dalì Xiebian, Nanhai District, Foshan City, China] is a professional manufacturer and exporter specializing in homecare rehabilitation products. The company is sitting on 3.5 Acre of land with 9000 square meters building area. There are over 200 employees including 20 managing staff and 30 technical staff. In addition, Jianlian has a strong team for new product development and significant manufacturing capacity.

The company has entered into homecare rehabilitation industry since 1993, and developed 9 categories of products consisting of over 150 different models including steel wheelchairs, aluminum wheelchairs, commode chairs, rollators, shower benches, walking frame, crutches and homecare medical bed. These products have been widely sold in over 30 countries throughout the world. Our reputation has been further strengthened by a rigorous quality assurance system that is embedded into the entire manufacturing process to ensure all finished products meet our quality standards. Our company has been certified by the CE and ISO 13485. In 2012, Jianlian commenced its sale in the Chinese domestic market and has been providing quality products and service to the clients. Furthermore, we designed customized products for people who have special needs, such as National Disabled Persons' Federation, Welfare Fund and Retirement Village.

"The higher quality of the products, the more punctual delivery and comprehensive after-sale-service" is the characteristic of our company.

Jianlian is an expert for your personal homecare products, and we sincerely look forward to meeting you.



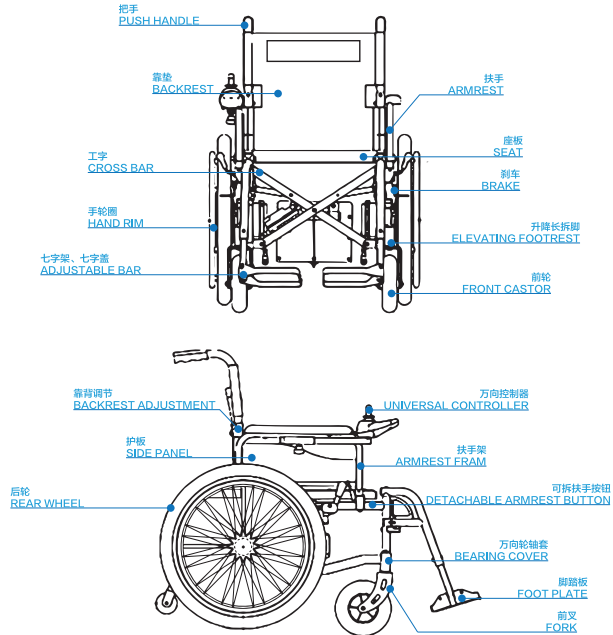


CONTENTS

02 ~ 05	ALUMINIUM WHEELCHAIR
06 ~ 08	TRANSIT WHEELCHAIR
09 ~ 10	SPORTS WHEELCHAIR
11 ~ 13	ELECTRIC WHEELCHAIR
14	CEREBRAL PALSY WHEELCHAIR
15 ~ 19	STEEL WHEELCHAIR
20	HEAVY DUTY WHEELCHAIR
21 ~ 22	CHILDREN WHEELCHAIR
23 ~ 24	COMMODO WHEELCHAIR
25 ~ 28	COMMODO
29 ~ 33	BATH SAFETY
34 ~ 36	ROLLATOR
37 ~ 41	WALKER
42 ~ 48	WALKING STICK
49	TREATMENT BED
50 ~ 55	HOSPITAL BED
56 ~ 59	MEDICAL CARE PRODUCTS
60 ~ 61	COLOUR SAMPLE
62 ~ 63	SPARE PARTS



WHEELCHAIR FUNCTION PICTURE



WHEELCHAIR MODEL FUNCTION CODE

A: DROP BACK HANDLE (-35):SEAT WIDTH 35cm(14")
 B: MAG WHEEL (-41):SEAT WIDTH 41cm(16")
 C: ELEVATING LEGREST (-43):SEAT WIDTH 43cm(17")
 G: RECLINING HIGH BACK (-46):SEAT WIDTH 46cm(18")
 H: DRUM BRAKE (-51):SEAT WIDTH 51cm(20")
 J: UNITED BRAKE (-56):SEAT WIDTH 56cm(22")
 L: ALUMINUM (-61):SEAT WIDTH 61cm(24")
 S: STAINLESS STEEL
 X: INCLINED ARMREST
 Y: HARD SEAT CUSHION
 Q: QUICK RELEASE

JL976LABH-46

ALUMINUM SEAT WIDTH 46CM(18")
 DROP BACK HANDLE DRUM BRAKE
 MAG WHEEL



▲ JL958LAQ

ALUMINUM FRAME&CROSS BRACE, FOLD-ABLE BACKREST, ADJUSTABLE ARMREST, SWING AWAY FOOTREST, PLASTIC BLACK FOOTREST WITH HEEL LOOP, 6"CASTOR & 24"QUICK SPOKE WHEEL WITH PU TYRE



▲ JL908LJ

ALUMINUM FRAME, FLIP-UP ARMREST, DE-TACHABLE FOOTREST, SOLID CASTOR, PU REAR WHEEL, WITH UNITED BRAKE



▲ JL955L

ALUMINUM FRAME, FLIP-UP INCLINED ARMREST, DETACHABLE FOOTREST, SOLID CASTOR, PNEUMATIC REAR WHEEL



▲ JL907LABJ

ALUMINUM FRAME, FLIP-UP ARMREST, DE-TACHABLE FOOTREST, SOLID CASTOR, PNEUMATIC MAG REAR WHEEL WITH UNITED BRAKE, DROP BACK HANDLE

MODEL	A		B		C		D		E		F		G		H		I		J		K		L		M		N		O		P		Q	
	UNFOLDED WIDTH	FOLDED WIDTH	SEAT WIDTH	TOTAL HEIGHT	SEAT HEIGHT	REAR WHEEL DIA.	FRONT WHEEL DIA.	TOTAL LENGTH	SEAT DEPTH	BACKREST HEIGHT	WEIGHT (KG)	AW(WK)	OW(WK)	CARTON SIZE (CM)	PCS/CM	20" FCL (PCS)	40" FCL (PCS)	20" FCL (PCS)	40" FCL (PCS)	20" FCL (PCS)	40" FCL (PCS)	20" FCL (PCS)	40" FCL (PCS)	20" FCL (PCS)	40" FCL (PCS)	20" FCL (PCS)	40" FCL (PCS)	20" FCL (PCS)	40" FCL (PCS)	20" FCL (PCS)	40" FCL (PCS)			
JL958LAQ	67	31	45	94	49	24"	6"	98	42	42	100	14.5	16.3	80*35.5*78	1	118	288																	
JL908LJ	61	26	46	88	48	22"	6"	104	41	38	100	12	14.8	82*27*88	1	143	349																	
JL955L	64	28.5	45	88	48	24"	6"	107	42	39	100	15.4	18.2	84.5*29.5*91.5	1	123	298																	
JL907LABJ	61	25	46	92	51	16"	6"	104	41	42	100	14	16	78*28*75	1	170	415																	



▲ JL868LJ(JL868L)

ALUMINIUM FRAME, FIXED INCLINED ARMREST, FIXED FOOTREST, SOLID CASTOR, SOLID REAR WHEEL



▲ JL869LXJ(JL869LX)

ALUMINIUM FRAME, FIXED INCLINED ARMREST, FIXED FOOTREST, SOLID CASTOR, SOLID REAR WHEEL



▲ JL839L(JL839LAJ)

ALUMINIUM FRAME, FIXED ARMREST, FIXED FOOTREST, SOLID CASTOR, SOLID REAR WHEEL



▲ JL834LAJ

ALUMINIUM FRAME, FIXED ARMREST, FLIP-UP FOOTREST, SOLID CASTOR, SOLID REAR WHEEL WITH UNITED BRAKE, DROP BACK HANDLE



▲ JL806LB

ALUMINIUM FRAME, QUICK RELEASE WHEEL, DETACHABLE FOOTREST



▲ JL8630LAJ

ALUMINIUM LIGHT WEIGHT CHAIR FRAME, DROP BACK HANDLE, FLIP UP FOOTREST, SOLID CASTOR, PU REAR WHEEL, WITH UNITED BRAKE.



▲ JL879LAJ

ALUMINIUM LIGHT WEIGHT CHAIR FRAME, FIXED ARMREST, FLIP UP FOOTREST, SOLID CASTOR, PNEUMATIC REAR WHEEL, DROP BACK HANDLE, WITH UNITED BRAKE.



▲ JL8630LABJ

ALUMINIUM WHEELCHAIR WITH FOLDABLE BACKREST, LIGHT BLUE LIQUID COATING, DETACHABLE ARMREST, FOLDABLE FOOTREST, UNITED BRAKE.

MODEL	Icons: A, B, C			Icons: D, E, F			Icons: G, H, I			Icons: J, K, L			Icons: M, N, O			Icons: P, Q, R			Icons: S, T, U		
	UNFOLDED WIDTH	FOLDED WIDTH	SEAT WIDTH	TOTAL WIDTH	SEAT HEIGHT	REAR HEIGHT	FRONT HEIGHT	TOTAL LENGTH	SEAT DEPTH	BACKREST HEIGHT	WEIGHT (KG)	NW(KG)	GW(KG)	CARTON SIZE (CM)	PCS/CN	20" FCL (PCS)	40" FCL (PCS)				
JL868L (JL868LJ)	61	23	44	89	49	22"	6"	100	42	39	100	12.5	14.6	99*23*89	1	146	348				
JL869LX (JL869LXJ)	62	24	45	87	47	22"	6"	101	41	41	100	11	13	100*26*89	1	146	348				
JL839L (JL839LAJ)	69	28.5	45	90	50	24"	8"	101	41	39	100	14	16.2	92*29.5*92	1	128	310				
JL834LAJ	66	29	45	92	49	22"	6"	100	41	39	100	12	13.5	77*30*74.5	1	190	480				

MODEL	Icons: A, B, C			Icons: D, E, F			Icons: G, H, I			Icons: J, K, L			Icons: M, N, O			Icons: P, Q, R			Icons: S, T, U		
	UNFOLDED WIDTH	FOLDED WIDTH	SEAT WIDTH	TOTAL WIDTH	SEAT HEIGHT	REAR HEIGHT	FRONT HEIGHT	TOTAL LENGTH	SEAT DEPTH	BACKREST HEIGHT	WEIGHT (KG)	NW(KG)	GW(KG)	CARTON SIZE (CM)	PCS/CN	20" FCL (PCS)	40" FCL (PCS)				
JL806LB	56	28	40	89	50	16"	6"	96	42	38	100	11.5	13.5	78.5*33*92	1	109	275				
JL8630LAJ	65	-	46	91	49	24"	7"	102	38	44	100	12.3	14.5	80*30*72	1	155	377				
JL879LAJ	65	-	46	87	49	14"	7"	-	-	-	100	10.3	12.3	72*30*72	1	175	425				
JL8630LABJ	61	28	46	91	45.5	12"	6"	96	36	46	100	10.5	12.5	73*29*70	1	186	453				

▶ JL863LABJ-C-20

ALUMINIUM FRAME,SILVER LIQUID COATING,-
DETACHABLE ARMREST ,UNITED BRAKE.



◀ JL903LAJ

ALUMINIUM CHAIR FRAME ,SOLID CASTOR,-
DROP-BACK HANDLE,QUICK RELEASE
PNEUMATIC REAR WHEEL ,FLIP UP
ARMREST,WITH CARRYING WHEEL ,DETACH-
ABLE FOOTREST ,WITH UNITED BRAKE



▶ JL863L

ALUMINIUM FRAME, DOUBLE CROSS BAR WITH
UNDE BRAKE AND LOCK BRAKE,FLIP UP
ARMREST AND FOOTREST,PU CASTOR,PNEU-
MATIC REAR WHEEL



TRANSIT WHEELCHAIR



◀ JL9006L

ALUMINIUM FRAME,FLIP-UP ARMREST,-
FLIP-UP FOOTREST,PU CASTOR,PNEUMATIC
REAR WHEEL,WITH UNITED BRAKE ,DROP
BACK HANDLE

MODEL	A		B		C		D		E		F		G		H		I		PCBS/CN	30° FCL (PCS)	40° FCL (PCS)
	UNFOLDED WIDTH	FOLDED WIDTH	SEAT WIDTH	TOTAL WIDTH	SEAT HEIGHT	REAR WHEEL DIA	FRONT WHEEL DIA	TOTAL LENGTH	SEAT DEPTH	BACKREST HEIGHT	WEIGHT CAPACITY	NW(KG)	GW(KG)	CARTON SIZE (CM)	PCBS/CN	30° FCL (PCS)	40° FCL (PCS)				
JL863LAJ-C-20	62	28	46	91	46	20"	6"	98	36	45	100	12	14	80*33*70	1	147	357				
JL903LAJ	69	-	46	92	47	28"	7"	116	40	41	100	14.7	16.7	80*36*73	1	133	323				
JL863L	61	29	46	92	47	20"	6"	97	39	41	100	11.4	13	83*29*73	1	147	357				

MODEL	A		B		C		D		E		F		G		H		I		PCBS/CN	30° FCL (PCS)	40° FCL (PCS)
	UNFOLDED WIDTH	FOLDED WIDTH	SEAT WIDTH	TOTAL WIDTH	SEAT HEIGHT	REAR WHEEL DIA	FRONT WHEEL DIA	TOTAL LENGTH	SEAT DEPTH	BACKREST HEIGHT	WEIGHT CAPACITY	NW(KG)	GW(KG)	CARTON SIZE (CM)	PCBS/CN	30° FCL (PCS)	40° FCL (PCS)				
JL9006L	56.5	38	41	83	46.5	12"	6"	88	43.5	36.5	100	9.6	11.3	83.5*38*56.5	1	155	377				



▲ JL959LABJ

ALUMINUM FRAME, DOUBLE CROSS BAR
QUICK DETACHABLE FOOTREST



▲ JL8691LAB

ALUMINUM FRAME, WITH HAND BRAKE, DE-
TACHABLE FOOTREST, ADJUSTABLE FOOT-
REST



▲ JL832LABJ

ALUMINUM FRAME, FIXED ARMREST, FLIP-UP
FOOTREST, SOLID CASTOR, PNEUMATIC MAG
REAR WHEEL, DROP BACK HANDLE, WITH
UNITED BRAKE



▲ JL904B

POWDER COATING STEEL FRAME, DETACH-
ABLE ARMREST, DETACHABLE FOOTREST,
SOLID CASTOR, PNEUMATIC MAG REAR
WHEEL



▲ JL976ABJ

POWDER COATING STEEL FRAME, FIXED
ARMREST, DETACHABLE FOOTREST, SOLID
CASTOR, SOLID REAR WHEEL WITH UNITED
BRAKE, DROP BACK HANDLE



▲ JL976LABJ

ALUMINUM FRAME, FIXED ARMREST,
DETACHABLE FOOTREST, SOLID
CASTOR, SOLID REAR WHEEL WITH UNITED
BRAKE, DROP BACK HANDLE



▲ JL9001LJ

ALUMINUM FOLDABLE FRAME, FLIP-UP
ARMREST, FOLDABLE FOOTREST, SOLID
CASTOR, SOLID REAR WHEEL, WITH UNITED
BRAKE AND SAFETY BELT



▲ JL9002LABJ

ALUMINUM FRAME, FLIP-UP ARMREST,
FLIP-UP FOOTREST, PU CASTOR, PU REAR
WHEEL, WITH UNITED BRAKE, DROP BACK
HANDLE

MODEL	A		B		C		D		E		F		G		H		I		PCSB/CN	30" FCL (PCS)	40" FCL (PCS)
	UNFOLDED WIDTH	FOLDED WIDTH	SEAT WIDTH	TOTAL WIDTH	SEAT HEIGHT	REAR WHEEL DIA	FRONT WHEEL DIA	TOTAL LENGTH	SEAT DEPTH	BACKREST HEIGHT	WEIGHT (KG)	NW(KG)	GW(KG)	CARTON SIZE (CM)	PCSB/CN	30" FCL (PCS)	40" FCL (PCS)				
JL959LABJ	68	32	45	99	52	12"	6"	106	45	45	110	11	12.7	78*34*102	1	161	390				
JL8691LAB	56	32	41	91	51	22"	6"	98	45	40	100	13	14.5	72*27*77	1	113	285				
JL832LABJ	64	25	45	91	50	12"	6"	89	43	40	100	10.5	12.5	65*26*77	1	150	310				
JL904B	62	27	43	88	49	12"	8"	98	43	42	100	14	16	71*28*90	1	160	390				

MODEL	A		B		C		D		E		F		G		H		I		PCSB/CN	30" FCL (PCS)	40" FCL (PCS)
	UNFOLDED WIDTH	FOLDED WIDTH	SEAT WIDTH	TOTAL WIDTH	SEAT HEIGHT	REAR WHEEL DIA	FRONT WHEEL DIA	TOTAL LENGTH	SEAT DEPTH	BACKREST HEIGHT	WEIGHT (KG)	NW(KG)	GW(KG)	CARTON SIZE (CM)	PCSB/CN	30" FCL (PCS)	40" FCL (PCS)				
JL976ABJ	61	25	42.5	101	52	8"	8"	95	43	40	100	13	15	64.5*26*83	1	201	488				
JL976LABJ	57	24	42	98.5	54	8"	8"	98	43	37	100	9.6	11.6	62*25*83	1	160	390				
JL9001LJ	51	32	37	90	45	8"	5"	97	33	35	100	6.9	8.4	52*32*70	1	230	600				
JL9002LABJ	44	21	37	79	43	8"	6"	88	30	33	100	7.9	9.2	72*24*70	1	203	473				



SPORTS WHEELCHAIR



⬅ JL727LQ

DOUBLE STEEL FRAME WITH POWDER COATED FINISH, REMOVABLE PLASTIC COMMODO PAIL WITH LID, 5 INCH WHEEL



⬆ JL730LQ

ALUMINUM FRAME&CROSS BRACE, FOLD-ABLE BACKREST, ADJUSTABLE ARMREST, SWING AWAY FOOTREST, PLASTIC BLACK FOOTREST WITH HEEL LOOP, 8"CASTOR & 24"QUICK SPOKE WHEEL WITH PU TYRE



⬆ JL732LQ

ALUMINUM FRAME&CROSS BRACE, FOLD-ABLE BACKREST, ADJUSTABLE ARMREST, SWING AWAY FOOTREST, PLASTIC BLACK FOOTREST WITH HEEL LOOP, 8"CASTOR & 24"QUICK SPOKE WHEEL WITH PU TYRE



⬆ JL720LQ

ALUMINUM FRAME, FLIP-UP INCLINED ARMREST, DETACHABLE FOOTREST, SOLID CASTOR, PNEUMATIC REAR WHEEL



⬆ JL723LQ

ALUMINUM FRAME&CROSS BRACE, FOLD-ABLE BACKREST, ADJUSTABLE ARMREST, SWING AWAY FOOTREST, PLASTIC BLACK FOOTREST WITH HEEL LOOP, 8"CASTOR & 24"QUICK SPOKE WHEEL WITH PU TYRE

MODEL	UNFOLDED WIDTH	SEAT WIDTH	TOTAL HEIGHT	SEAT HEIGHT	REAR WHEEL DIA.	FRONT WHEEL DIA.	WEIGHT CAP(KG)	NW(KG)	GW(KG)	CARTON SIZE (CM)	PCS/CN	20' FCL (PCS)	40' FCL (PCS)
JL727LQ	57	36	82	51	28"	5"	100	11	13	83*34*84	1	116	283

MODEL	UNFOLDED WIDTH	SEAT WIDTH	TOTAL HEIGHT	SEAT HEIGHT	REAR WHEEL DIA.	FRONT WHEEL DIA.	WEIGHT CAP(KG)	NW(KG)	GW(KG)	CARTON SIZE (CM)	PCS/CN	20' FCL (PCS)	40' FCL (PCS)
JL730LQ	67	38	77	48	28"	5"	100	10.8	11.8	76*62*50	1	116	283
JL732LQ	59	36	77	50	28"	5"	100	10.8	12	76*62*50	1	116	283
JL720LQ	59	36	72	48	28"	5"	100	10.8	13	87*36*73	1	121	295
JL723LQ	55	38	80-85	45	24"	4"	100	12	14	85*30*83	1	127	309



JL143

POWER STAND UP WHEELCHAIR, POWDER COATING FRAME, FLIP-UP ARMREST WITH SINGLE CONTROLLER FOR BOTH DRIVING& SEAT LIFTING, STRONG RUBBER FOAM DRIVEWHEEL, SPECIAL DESIGN WITH COMFORTABLE SAFETY LEGREST BELT



JL139

POWER WHEELCHAIR, FLIP-UP ARMREST, 8"x2" CASTOR, 12" DRIVE WHEEL



JL110A

ELECTRIC WHEELCHAIR WITH STEEL FRAME, - DETACHABLE FOOTREST, 8" CASTOR, 12" - WHEEL



JL123F1

POWDER COATING STEEL FRAME, ANGLE-ADJUSTABLE BACKREST, ADJUSTABLE ARMREST PAD, PU REAR WHEEL, DETACHABLE SIDEBOARD, PU CASTOR, DETACHABLE FOOTPLATE, WITH SAFETY LAMPS.



JL102

STEEL FRAME, FIXED FOOTREST, ADJUSTABLE HEIGHT, BRAKE MOTOR DRIVE



JL138-46 (JL138-51)

POWDER COATING ALUMINUM FRAME, DETACHABLE INCLINED ARMREST, DETACHABLE FOOTREST, PU CASTOR, PU DRIVE WHEEL, GEL LEAD ACID BATTERY, DROP BACK HANDLE, FOLDABLE CHAIR FRAME

MODEL	A		A		A		A		A		A		A		A		A		A		A		PCSB/CN	20" FCL (PCS)	40" FCL (PCS)
	ANFOLDED WIDTH	FOLDED WIDTH	SEAT WIDTH	SEAT DEPTH	REAR WHEEL DIA	FRONT WHEEL DIA	TOTAL LENGTH	SEAT HEIGHT	BACKREST HEIGHT	WEIGHT CAP(KG)	NW(KG)	GW(KG)	CARTON SIZE (CM)	PCSB/CN	20" FCL (PCS)	40" FCL (PCS)									
JL110A	62	34	46	117	50	12"	8"	117	44	44	100	51	53	80*35*77	1	125	315								
JL123F1	67	-	43	95	58	16"	10"	-	-	-	125	75	81	78*68*69	1	75	183								

MODEL	A		A		A		A		A		A		A		A		A		A		PCSB/CN	20" FCL (PCS)	40" FCL (PCS)	
	ANFOLDED WIDTH	FOLDED WIDTH	SEAT WIDTH	SEAT DEPTH	REAR WHEEL DIA	FRONT WHEEL DIA	TOTAL LENGTH	SEAT HEIGHT	BACKREST HEIGHT	WEIGHT CAP(KG)	NW(KG)	GW(KG)	CARTON SIZE (CM)	PCSB/CN	20" FCL (PCS)	40" FCL (PCS)								
JL143	62	62	46	107	58	12"	8"	107	44	48	100	80.4	80.4	143*64*75	1	72	181							
JL139	67	-	45	105	57	12"	8"	105	41	53	100	73.5	79	87.5*68*67	1	80	200							
JL102	66	64	41	92	50	12"	8"	93	26	40	100	38	40.4	89*47*93	1	82	206							
JL138-46 (JL138-51)	62	37	45(51)	95	51	12"	8"	107	42	40	100	46.8	51	79*40*76	1	117	279							



▲ JL1008

POWER ELECTRIC WHEELCHAIR, DETACHABLE FOOTREST AND FOLDABLE BACKREST, PU CASTOR DRIVE WHEEL.



INTELLIGENT FOLLOWING SYSTEM



▲ JL-H3

REMOTE CONTROL CAN MANIPULATE THE WHEELCHAIR AT A DISTANCE. INTELLIGENT JOYSTICK AGILE AND SMOOTH RESPONSE, MOVE WITH YOUR HEART, BRING YOU AN EASY RIDING EXPERIENCE. MULTI-FUNCTIONAL REAR ANTI-TIPPERS IN THE PROCESS OF RIDING, IT CAN ACT AS ANTI-TIP WHEEL, ASLO CAN BE SUPPORT STAND AFTER FOLDED.



▲ JL110LAE

ALUMINUM FRAME, DROP BACK HANDLE, FLIP-UP ARMREST, DETACHABLE FOOTREST, RUBBER FOAM CASTOR AND REAR WHEEL WITH ADDITIONAL CUSHION, LITHIUM BATTERY, FOLDABLE PUSH BAR.



▲ JL155

POWER STAND UP WHEELCHAIR FLIP-UP ARMREST DETACHABLE SOFT SEATREST AND BACKREST PU CASTOR, PNEUMATIC REAR WHEEL.

MODEL	A		B		C		D		E		F		G		H		I		PC/SC/N	20" FCL (PCS)	40" FCL (PCS)
	UNFOLDED WIDTH	FOLDED WIDTH	SEAT WIDTH	SEAT DEPTH	REAR WHEEL DIA	FRONT WHEEL DIA	TOTAL LENGTH	SEAT DEPTH	BACKREST HEIGHT	WEIGHT CAPACITY	NW(KG)	GW(KG)	CARTON SIZE (CM)	PC/SC/N	20" FCL (PCS)	40" FCL (PCS)					
JL1008	64	37	45	94	46	12"	8"	114	43	39.5	100	46	50	73.5*37*72.5	1	1	-	-	-	-	
JL110LAE	62	-	46	93	49	16"	9"	-	-	100	28	34.5	79*34*76	1	133	323	-	-	-	-	
JL-H3	62	62	45	98	58	12.5"	8"	110	45	-	130	33	42	89*62*40	1	84	-	-	-	-	
JL155	57	26	45	98	55	12"	8"	115	41	41	100	38	40.4	88*47*93	1	71	174	-	-	-	



▲ JL9020L

ALUMINUM FRAME WITH COMFORTABLE SEAT AND SAFETY BELT, RECLINING HIGH BACK, SOLID CASTOR, PU MAG REAR WHEEL, ADJUSTABLE HEADREST, ADJUSTABLE ARMREST, ELEVATING FOOTREST, ADJUSTABLE SEAT.



▲ JL203L

ALUMINUM CHAIR FRAME, COMFORTABLE ERGONOMIC SEAT, ADJUSTABLE SEAT ANGLE, DETACHABLE AND HEIGHT ADJUSTABLE ARMREST, DETACHABLE ELEVATING FOOTREST, SOLID CASTOR, PNEUMATIC REAR WHEEL.



▲ JL258LBYPG

ALUMINUM FRAME, RECLINING HIGH BACK, ADJUSTABLE SEAT ANGLE, DETACHABLE SEAT AND BACK, SOLID CASTOR, PU MAG REAR WHEEL, SAFETY BELT.



▲ JL212BCGP

CHROMED STEEL FRAME, RECLINING HIGH BACK, FLIP-UP ARMREST, DETACHABLE ELEVATING FOOTREST, ADJUSTABLE HEADREST, SOLID CASTOR, PNEUMATIC REAR MAG WHEEL.

MODEL	A		B		C		D		E		F		G		H		I		PC/SC/N	20" FCL (PCS)	40" FCL (PCS)
	UNFOLDED WIDTH	FOLDED WIDTH	SEAT WIDTH	SEAT DEPTH	REAR WHEEL DIA	FRONT WHEEL DIA	TOTAL LENGTH	SEAT DEPTH	BACKREST HEIGHT	WEIGHT CAPACITY	NW(KG)	GW(KG)	CARTON SIZE (CM)	PC/SC/N	20" FCL (PCS)	40" FCL (PCS)					
JL9020L	52	29	35	107	52	16"	6"	106	36	44	100	23	25.2	86*33*100	1	100	240	-	-	-	
JL258LBYPG	42	-	30	103	49	14"	7"	93	39	28-68	100	17.4	20.7	80*41*69	1	121	295	-	-	-	
JL203L	66.5	-	41.5	109-125	58	28"	7"	-	-	-	100	24.4	28	95*66*107	1	41	100	-	-	-	
JL212BCGP	55	28	40	106	38	16"	6"	107	41	60	100	17.7	20.4	80*33*107.5	1	94	230	-	-	-	

STEEL WHEELCHAIR



▲ JL809J

CHROMED STEEL FRAME, FIXED ARMREST, FIXED FOOTREST, SOLID CASTOR, SOLID REAR WHEEL WITH UNITED BRAKE



▲ JL809B

CHROMED STEEL FRAME, FIXED ARMREST, - FIXED FOOTREST, SOLID CASTOR, SOLID REAR MAG WHEEL



▲ JL809

CHROMED STEEL FRAME, FIXED ARMREST, FIXED FOOTREST, SOLID CASTOR, SOLID REAR WHEEL



▲ JL809T

CHROMED STEEL FRAME, FIXED ARMREST, - FIXED FOOTREST, SOLID REAR WHEEL

STEEL WHEELCHAIR



▲ JL808

POWDER COATING STEEL FRAME, FIXED ARMREST, FIXED FOOTREST, SOLID CASTOR, SOLID REAR WHEEL



▲ JL868

POWDER COATING STEEL FRAME, DOUBLE CROSS BAR, FIXED ARMREST, FIXED FOOTREST, SOLID CASTOR, SOLID REAR WHEEL



▲ JL874

CHROMED STEEL FRAME, DOUBLE CROSS BAR, FIXED ARMREST, FIXED FOOTREST, SOLID CASTOR, SOLID REAR WHEEL



▲ JL972

CHROMED STEEL FRAME, FIXED ARMREST, - DETACHABLE FOOTREST, SOLID CASTOR, SOLID REAR WHEEL

MODEL	Icons: Unfolded, Folded, Seat, Backrest, Weight, Cartons		Icons: Rear Wheel, Front Wheel, Total Length, Seat Depth, Backrest Height, Weight Capacity, Net Weight, Gross Weight		Icons: Carton Size (cm)		PCBS/CN	20" FCL (PCS)	40" FCL (PCS)								
	UNFOLDED WIDTH	FOLDED WIDTH	SEAT WIDTH	TOTAL HEIGHT	REAR WHEEL DIAMETER	FRONT WHEEL DIAMETER				TOTAL LENGTH	SEAT DEPTH	BACKREST HEIGHT	WEIGHT CAPACITY	NET WEIGHT	GROSS WEIGHT	CARTON SIZE (CM)	
JL809J	66	21	46	88	47	24"	8"	104	43	41	100	17.2	19.2	93*22*89	1	144	372
JL809B	66	23	46	87	47	24"	8"	104	40	41	100	17.2	19.2	93*22*88	1	144	372
JL809	66	21	46	87	48	24"	8"	104	43	39	100	16.6	18.6	93*21*88	1	144	372
JL809T	66	21	46	87	48	24"	8"	104	43	39	100	16.6	18.6	93*22*88	1	144	372

MODEL	Icons: Unfolded, Folded, Seat, Backrest, Weight, Cartons		Icons: Rear Wheel, Front Wheel, Total Length, Seat Depth, Backrest Height, Weight Capacity, Net Weight, Gross Weight		Icons: Carton Size (cm)		PCBS/CN	20" FCL (PCS)	40" FCL (PCS)								
	UNFOLDED WIDTH	FOLDED WIDTH	SEAT WIDTH	TOTAL HEIGHT	REAR WHEEL DIAMETER	FRONT WHEEL DIAMETER				TOTAL LENGTH	SEAT DEPTH	BACKREST HEIGHT	WEIGHT CAPACITY	NET WEIGHT	GROSS WEIGHT	CARTON SIZE (CM)	
JL808	66	21	46	87	48	24"	8"	104	43	39	100	16.6	18.6	93*21*89	1	144	372
JL868	60	23	44	89	49	22"	8"	100	42	38	100	12.5	14.6	99*23*89	1	140	348
JL874	60	25	41	91	53	24"	8"	103	40	38.5	100	16.3	18.3	94*28*92	1	116	277
JL972	57	25	46	88	48	24"	8"	101	40	39	100	18	20	80*24*89	1	160	384



▲ JL901

CHROMED STEEL FRAME, DETACHABLE ARMREST, DETACHABLE FOOTREST, 8" SOLID CASTOR, PNEUMATIC REAR WHEEL



▲ JL905

POWDER COATED STEEL WHEELCHAIR WITH FABRIC SEAT AND BACKREST, 24 INCH PU REAR TYRE, 200X50PU CASTOR, FLIP-UP & DESK ARMREST, ADJUSTABLE FOOT-PLATE & DETACHABLE FOOTREST



▲ JL902C

CHROMED STEEL FRAME, DETACHABLE ARMREST, DETACHABLE ELEVATING FOOTREST, SOLID CASTOR, SOLID REAR WHEEL



▲ JL903

POWDER COATING STEEL FRAME, DETACHABLE ARMREST, DETACHABLE FOOTREST, SOLID CASTOR, SOLID REAR WHEEL

MODEL	A		B		C		D		E		F		G		H		I		PC(S)CN	20" FCL (PC(S))	40" FCL (PC(S))
	UNFOLDED WIDTH	FOLDED WIDTH	SEAT WIDTH	TOTAL WIDTH	SEAT HEIGHT	REAR WHEEL DIAMETER (IN)	FRONT WHEEL DIAMETER (IN)	TOTAL LENGTH	SEAT DEPTH	BACKREST HEIGHT	WEIGHT (KG)	NET WEIGHT (KG)	GROSS WEIGHT (KG)	CARTON SIZE (CM)	PC(S)CN	20" FCL (PC(S))	40" FCL (PC(S))				
JL901	66	28	46	88	50	24"	8"	103	41	39	100	18	20	81*28*91	1	137	328				
JL905	67	30	46	90	49	24"	8"	104	40	39	100	16.8	18.7	81*31*91	1	136	325				
JL902C	66	27	46	90	51	24"	8"	104	41	39	100	17.8	19.3	80*28*91	1	137	328				
JL903	66	27	47	89	50	24"	8"	101	43	39	100	18.5	20.7	80*28*89	1	137	328				



▶ JL908AQ

CHROMED STEEL FRAME, FLIP-UP ARMREST, DETACHABLE FOOTREST, SOLID CASTOR, SOLID REAR WHEEL, DROP BACK HANDLE, WITH QUICK RELEASE WHEEL



◀ JL8745

CHROMED STEEL FRAME, FIXED FOOTREST, DOUBLE CROSS BAR, SOLID CASTOR, FIXED ARMREST, SOLID REAR WHEEL

▶ JL873ABJ

POWDER COATING STEEL FRAME, DOUBLE CROSS BAR, DROP BACK HANDLE, UNITED BRAKE, PNEUMATIC MAG REAR WHEEL, SOLID CASTOR, FIXED ARMREST, FLIP-UP FOOTREST.



MODEL	A		B		C		D		E		F		G		H		I		PC(S)CN	20" FCL (PC(S))	40" FCL (PC(S))
	UNFOLDED WIDTH	FOLDED WIDTH	SEAT WIDTH	TOTAL WIDTH	SEAT HEIGHT	REAR WHEEL DIAMETER (IN)	FRONT WHEEL DIAMETER (IN)	TOTAL LENGTH	SEAT DEPTH	BACKREST HEIGHT	WEIGHT (KG)	NET WEIGHT (KG)	GROSS WEIGHT (KG)	CARTON SIZE (CM)	PC(S)CN	20" FCL (PC(S))	40" FCL (PC(S))				
JL908AQ	60	25	43	92	49	24"	8"	104	42	44	100	16.9	19.1	82*26.5*77	1	160	384				
JL8745	64	-	46	88	48	26"	8"	-	-	-	100	15.3	16.5	92*28*89	1	121	295				
JL873ABJ	63	-	46	91	49	14"	7"	-	-	-	100	12.6	14.4	76*30*76	1	155	377				



JL909BQ



JL952

ALUMINUM FRAME, DETACHABLE ARMREST, FIXED FOOTREST, ADJUSTABLE HEIGHT

JL909

POWDER COATING STEEL FRAME, DOUBLE CROSS BAR, FLIP-UP ARMREST, DETACHABLE FOOTREST, SOLID CASTOR, SOLID REAR WHEEL



JL954GC

POWDER COATING STEEL FRAME, RECLINING HIGH BACK, DETACHABLE ARMREST, DETACHABLE ELEVATING FOOTREST, SOLID CASTOR, SOLID REAR WHEEL

JL902GC

POWDER COATING STEEL FRAME, RECLINING HIGH BACK, MOVABLE ARMREST, DETACHABLE ELEVATING FOOTREST, SOLID CASTOR, SOLID REAR WHEEL

MODEL	Icons: A, B, C, D, E, F, G, H, I, J, K, L, M, N, O, P, Q, R, S, T, U, V, W, X, Y, Z			PCSB/CN	20" FCL (PCS)	40" FCL (PCS)											
	UNFOLDED WIDTH	FOLDED WIDTH	SEAT WIDTH				TOTAL WIDTH	SEAT HEIGHT	REAR HEIGHT	FRONT HEIGHT	TOTAL LENGTH	SEAT DEPTH	BACKREST HEIGHT	WEIGHT (KG)	NET WT (KG)	GROSS WT (KG)	CARTON SIZE (CM)
JL952	63	30	48	96	53	24"	8"	107	41	38	100	16.8	19	98*32*99	1	160	384
JL909	61	27	44	88	49	24"	8"	103	41	38	100	19	21.3	80*28*88	1	142	340
JL954GC	66	34	49	128	51	24"	8"	115	44	49	100	23	25	110*35*80	1	90	220
JL902GC	65	44	47	128	50	24"	8"	119	44	49	100	26	29	99*35*91	1	90	220



JL951B-56



JL973-61

CHROMED STEEL HEAVY DUTY FRAME, 200x50 PVC CASTOR, SOLID REAR MAG WHEEL, FIXED ARMREST AND FOOTREST

JL951B-51

POWDER COATING STEEL FRAME, DOUBLE CROSS BAR, FLIP-UP ARMREST, DETACHABLE FOOTREST, 200x50 PVC CASTOR, PNEUMATIC REAR MAG WHEEL



JL975-51

CHROMED STEEL FRAME, 20" SEAT WIDTH, DOUBLE CROSS BAR, DETACHABLE ARMREST, DETACHABLE FOOTREST, SOLID CASTOR, PNEUMATIC REAR WHEEL

JL874-51

CHROMED STEEL FRAME, DOUBLE CROSS BAR, 20" SEAT WIDTH, FIXED ARMREST, FIXED FOOTREST, SOLID CASTOR, PNEUMATIC REAR WHEEL

MODEL	Icons: A, B, C, D, E, F, G, H, I, J, K, L, M, N, O, P, Q, R, S, T, U, V, W, X, Y, Z			PCSB/CN	20" FCL (PCS)	40" FCL (PCS)											
	UNFOLDED WIDTH	FOLDED WIDTH	SEAT WIDTH				TOTAL WIDTH	SEAT HEIGHT	REAR HEIGHT	FRONT HEIGHT	TOTAL LENGTH	SEAT DEPTH	BACKREST HEIGHT	WEIGHT (KG)	NET WT (KG)	GROSS WT (KG)	CARTON SIZE (CM)
JL973-61	81	29	61	94	52	24"	8"	115	46	40	136	20	22	109*30*101.5	1	120	200
JL951B-51 (JL951B-56)	67	29	51	94	52	24"	8"	115	46	40	136	20	22	87.5*29.5*97	1	109	253
JL975-51	72	26	51	90	52.5	24"	8"	102	45	40	136	18.7	20.5	80*27*93	1	164	382
JL874-51	60	23	41	91	53	24"	8"	103	43	38.5	136	16.3	18.3	94*28*92	1	116	277



CHILDREN WHEELCHAIR



NEW



NEW

JL874LAJ-30

PEDIATRIC WHEELCHAIR ALUMINUM CHAIR FRAME, FIXED ARMREST, FIXED FOOT-REST, SOLID CASTOR, PNEUMATIC REAR WHEEL, DROP BACK HANDLE, WITH UNITED BRAKE.

JL883LABJ

ALUMINUM CHILD CHAIR FRAME, DROP BACK HANDLE, FIXED ARMREST, FIXED FOOTREST, SOLID CASTOR, PU MAG REAR WHEEL, WITH UNITED BRAKE

MODEL														PC/SICN	20" FCL (PCS)	40" FCL (PCS)	
	UNFOLDED WIDTH	FOLDED WIDTH	SEAT WIDTH	TOTAL SEAT WIDTH	SEAT HEIGHT	REAR SEAT HEIGHT	FRONT SEAT HEIGHT	TOTAL LENGTH	SEAT DEPTH	BACKREST HEIGHT	WEIGHT CAP(WG)	NW(KG)	GW(KG)	CARTON SIZE (CM)	PC/SICN	20" FCL (PCS)	40" FCL (PCS)
JL874LAJ-30	53	-	30	85	44	24"	7"	-	-	-	75	11.8	14.4	78"28"68	1	186	453
JL883LABJ	50	-	30	86	48	24"	7"	-	-	-	75	11.2	12.6	80"30"66	1	175	425

JL980LA-35

ALUMINUM FRAME ,FLIP-UP ARM REST, FIXED FOOTREST ,SOLID CASTOR, PNEUMATIC REAR WHEEL, DROP BACK HANDLE



JL212BCG

CHROMED STEEL FRAME, RECLINING HIGH BACK, FLIP-UP ARMREST, DETACHABLE ELEVATING FOOTREST, SOLID CASTOR, PNEUMATIC REAR MAGWHEEL

JL980LQF3-30

ALUMINUM CHILD WHEELCHAIR, FLIP-UP HEIGHT ADJUSTABLE ARMREST, DETACHABLE FOOTREST, SOLID CASTOR, QUICK RELEASE PNEUMATIC REAR WHEEL



MODEL														PC/SICN	20" FCL (PCS)	40" FCL (PCS)	
	UNFOLDED WIDTH	FOLDED WIDTH	SEAT WIDTH	TOTAL SEAT WIDTH	SEAT HEIGHT	REAR SEAT HEIGHT	FRONT SEAT HEIGHT	TOTAL LENGTH	SEAT DEPTH	BACKREST HEIGHT	WEIGHT CAP(WG)	NW(KG)	GW(KG)	CARTON SIZE (CM)	PC/SICN	20" FCL (PCS)	40" FCL (PCS)
JL980LA-35	50	30	33.5	93	49	22"	6"	106	42	42	100	12.7	14.2	87"33"70	1	144	372
JL212BCG	55	28	40	106	38	16"	6"	107	41	59	100	17.7	20.4	80"33"107.5	1	94	230
JL980LQF3-30	46	-	30	88	52	24"	7"	-	-	-	75	13.5	15.6	74"33"91	1	121	295



JL609U



JL609L

JL609

CHROMED STEEL FRAME, SQUARE COMMODE SEAT, FIXED ARMREST, FIXED FOOTREST, SOLID CASTOR, SOLID REAR WHEEL

ALUMINUM FRAME, SQUARE COMMODE SEAT, FIXED ARMREST, FIXED FOOTREST, SOLID CASTOR, SOLID REAR WHEEL



JL681U-41
JL681U-46
JL681U-51



JL682U-41
JL682U-46
JL682U-51

JL681

CHROMED STEEL FRAME, SQUARE COMMODE SEAT, FLIP-UP ARMREST, DETACHABLE FOOTREST, SOLID CASTOR, SOLID REAR WHEEL

JL682

CHROMED STEEL FRAME, SQUARE COMMODE SEAT, FLIP-UP ARMREST, DETACHABLE FOOTREST, SOLID CASTOR, SOLID REAR WHEEL

MODEL	SEAT		BACKREST		WEIGHT		DIMENSIONS		CASTORS		WHEELS		FOLDING	
	WIDTH	DEPTH	HEIGHT	WIDTH	HEIGHT	NET	GROSS	W/1	W/2	FRONT	REAR	DIAMETER	PC/S	PC/S
JL609	63	24	45	87	52	24"	8"	104	44	40	100	15.4	18.1	94*35*88
JL609L	63	28	45	88	50	22"	6"	96	44	40	100	15.4	18.1	94*30*88
JL681	66	29	47	89	53	24"	8"	102	43.5	38	100	15.4	23.1	80*33*89
JL682	66	29	47	89	53	24"	8"	102	43	37	100	21.3	23.1	80*33*89



JL609GC



JL609LGC

JL609GCU

CHROMED STEEL FRAME, RECLINING HIGH BACK, U SHAPE COMMODE SEAT, DETACHABLE ARMREST, DETACHABLE ELEVATING FOOTREST, SOLID CASTOR, SOLID REAR WHEEL

CHROMED STEEL FRAME, RECLINING HIGH BACK, U SHAPE COMMODE SEAT, DETACHABLE ELEVATING FOOTREST, SOLID CASTOR, PNEUMATIC REAR WHEEL, WITH ROLL-OVER PREVENTION.



JL6928

DURABLE STEEL FRAME WITH POWDER COATED FINISH, REMOVABLE PLASTIC COMMODE PAIL WITH LID, 5 INCH WHEEL



JL609LU-52

ALUMINUM CHAIR FRAME, FIXED FOOTREST, FIXED ARMREST, SUPER WIDE COMMODE SEAT, PNEUMATIC REAR WHEEL, PU CASTOR

MODEL	SEAT		BACKREST		WEIGHT		DIMENSIONS		CASTORS		WHEELS		FOLDING	
	WIDTH	DEPTH	HEIGHT	WIDTH	HEIGHT	NET	GROSS	W/1	W/2	FRONT	REAR	DIAMETER	PC/S	PC/S
JL609GCU	62.5	33.5	45.5	127	56.5	24"	8"	120	45	42.5	100	30	33	110*34*80
JL609LGC	59.5	29	43	138	58	24"	8"	125.5	44	86	100	21.5	24.2	93*39*108
JL6928	71	-	46	97	50	24"	5"	103	40	50	100	12.6	14	65*60*25
JL609LU-52	64	-	52	91	48	18"	9"	-	-	-	100	14	16	80*40*93



JL6927L

DURABLE ALUMINUM FRAME
REMOVABLE PLASTIC COMMODO
PAIL WITH LID,5" PVC WHEELS WITH
LOCK

JL6927LB

DURABLE ALUMINUM FRAME,RE-
MOVABLE PLASTIC COMMODO PAIL
WITH LID,5" PVC WHEELS WITH
LOCK,24" SOLD REAR WHEEL WITH
BRAKE,REMOVE FOOTPLATE



JL6926

STEEL FRAME,REMOVABLE SEAT
PANNEL,REMOVABLE PLASTIC COMMODO
PAIL WITH LID ,SOLID REAR WHEEL, FLIP
DOWN ARMREST,DETACHABLE FOOT-
REST,SMALLEST PACKING



JL692

POWDER COATING STEEL FRAME,-
FLIP-DOWN ARMREST,DETACHABLE
FOOTREST,REAR CASTOR WITH
LOCK,PLASTIC COMMODO SEAT



JL6952L

ALUMINUM CHAIR FRAME HEAD
SUPPORT,FLIP-UP DESK ARMREST,
DETACHABLE FOOTREST, ADJUSTABLE
SEAT ANGLE



JL8803L

DURABLE ALUMINUM REMOVABLE
PLASTIC COMMODO PAIL WITH
LID,5" PVC WHEELS WITH
LOCK,THE SEAT WITH GUARD-
RAIL,PROVIDE SAFE EXPERIENCE



JL698L-A

ALUMINUM COMMODO CHAIR,
DETACHABLE FRAME AND FOOT-
REST



JL8802L



JL693

MODEL											PC/SN	20" FCL (PCS)	40" FCL (PCS)		
	UNFOLDED WIDTH	SEAT WIDTH	TOTAL HEIGHT	TOTAL LENGTH	WHEEL DIA.	SEAT DEPTH	SEAT HEIGHT	BACKREST HEIGHT	WEIGHT CAP(KG)	NN(WXG)	GW(KG)	CARTON SIZE (CM)	PC/SN	20" FCL (PCS)	40" FCL (PCS)
JL6927L	57	47	94	81	5"	54	41	48	100	12.9	14.7	108*56*20	1	280	670
JL6927LB	55	45	93	100	5"	53	45	39	100	12.9	14.7	108*56*20	1	280	670
JL6952L	88	46	105-132	90	7"	50	-	45	100	12.6	14	65*60*25	1	-	-
JL8803L	51	51	93	71	5"	47.5	40	47	100	12.5	14.5	63*50*60.5	1	113	284
JL698L-A	60	49	99	-	9"7"	50	-	49	100	10.86	13	64*33*52	1	-	-

MODEL											PC/SN	20" FCL (PCS)	40" FCL (PCS)		
	UNFOLDED WIDTH	SEAT WIDTH	TOTAL HEIGHT	TOTAL LENGTH	WHEEL DIA.	SEAT DEPTH	SEAT HEIGHT	BACKREST HEIGHT	WEIGHT CAP(KG)	NN(WXG)	GW(KG)	CARTON SIZE (CM)	PC/SN	20" FCL (PCS)	40" FCL (PCS)
JL6926	55	44	95	90	5"	53	43.5	39	100	12.5	13.7	58*56*25	1	340	830
JL692	55	44	95	90	5"	53	43.5	39	100	12.5	14	56*55*54	1	160	320
JL8802L	54	43	90	53	3"	48	44	43	100	6	7.2	78*55*15	1	419	1056
JL693	54	44	89	73	5"	48	40	33	100	12	13.2	67*29*50	1	180	378



◀ JL8201



◀ JL8832U



◀ JL895L



◀ JL898



▲ JL899



▲ JL8996



▲ JL897

MODEL	UNFOLDED WIDTH	SEAT WIDTH	TOTAL LENGTH	TOTAL WIDTH	WHEEL DIA.	SEAT HEIGHT	SEAT DEPTH	BACKREST HEIGHT	WEIGHT CAPACITY	MM(KG)	GW(KG)	CARTON SIZE (CM)	PCS/CN	20" FCL (PCS)	40" FCL (PCS)
JL8201	59	47	79-94	53	-	43-58	41	38	100	8.5	10.3	61*53*74	1	100	250
JL8832U	52	45	85	-	46	44	38	100	8.8	9.8	86*16*52	1	350	850	
JL895L	50	40	71-81	56	-	40-50	43	29	100	4.9	6	57*49.5*24	4	1440	1060
JL898	38	38	38	40	-	37	40	-	100	6.3	7.3	72*39.5*26	4	1750	4180
JL899	54	46	83	54	-	44	35	44	100	18	20.5	78*54*35	4	600	1500
JL8996	59	47	88-93	-	-	43-48	45	43	100	8.4	9.8	100*28*58	1	164	400
JL897	42	38	47	40	-	47	40	-	100	15.5	17.5	61*40*44	6	1500	3650



▲ JL894



JL894L



▲ JL810



JL696L



▲ JL696



▲ JL813



▲ JL8801L

MODEL	UNFOLDED WIDTH	SEAT WIDTH	TOTAL LENGTH	TOTAL WIDTH	WHEEL DIA.	SEAT HEIGHT	SEAT DEPTH	BACKREST HEIGHT	WEIGHT CAPACITY	MM(KG)	GW(KG)	CARTON SIZE (CM)	PCS/CN	20" FCL (PCS)	40" FCL (PCS)
JL894	52	42	74-84	52	-	46-56	40	30	100	8	9	52*20*75	1	380	850
JL810	56	45	88-98	55	-	41-51	40	33	100	5.8	6.8	57*20.5*50	1	490	1220
JL696	53	42	75-85	52	3"	47-57	40	30	100	8	9.2	54.5*21*76	1	380	850
JL813	57	48	82-72	50	-	36-46	41	28	100	6.3	7.6	56*40*35.5	1	334	800
JL8801L	60	49	64-74	46	-	44-54	37	18	100	3.5	5	65*43*63	1	159	369



◀ JL793S



◀ JL799L



◀ JL790



◀ JL7901L



◀ JL7961L



◀ JL796L



◀ JL738LQ



◀ JL798L

MODEL	UNFOLDED		TOTAL HEIGHT	TOTAL LENGTH	SEAT HEIGHT	SEAT DEPTH	BACKREST HEIGHT	WEIGHT CAPACITY	NW(KG)	GW(KG)	CARTON SIZE (CM)	PCS/CN	20" FOL (PCS)	40" FOL (PCS)
	WIDTH	DEPTH												
JL793S	82	40	50	46.5	14	40	38.5	110	8.8	11.8	76*56*43	2	340	840
JL799L	75	68	83-96	55	46-56	41	38	110	8.4	9.5	74*22*46	2	750	1810
JL790	50	38	52	50	46	30	-	110	7	8.2	51*18*72	2	840	2030
JL7901L	43	51	34-47	56	43-47	31	-	100	2.3	2.9	57*10*43	1	1160	2790
JL7961L	53	41	35-45	54	35-45	38	-	110	3.9	4.9	57*10.5*56	2	900	2200
JL796L	43	42	70-80	61.5	35-45	38	36	110	6.5	7	25*53*54	2	783	1873
JL738LQ	50.5	50	66-76	45	33-43	38	36	110	5	5.8	39*23*61.5	2	792	2050
JL798L	51	51	75-85	44	35-45	31	42	110	5	5.8	39*23*61.5	2	792	2850



◀ JL792L
◀ JL792



◀ JL797L



◀ JL780L



◀ JL7801



◀ JL736LQ



◀ JL736L

MODEL	UNFOLDED		TOTAL HEIGHT	TOTAL LENGTH	SEAT HEIGHT	SEAT DEPTH	BACKREST HEIGHT	WEIGHT CAPACITY	NW(KG)	GW(KG)	CARTON SIZE (CM)	PCS/CN	20" FOL (PCS)	40" FOL (PCS)
	WIDTH	DEPTH												
JL792	54	40	80-90	58	49-59	36	35	110	9.2	10.6	69*51*56	2	105	260
JL797L	51	57	39-49	51	35-45	31	-	110	3.6	4.2	35*17*60	2	1600	3820
JL780L	33	32	38-56	33	38-56	32	-	110	8.7	9.5	32*39*49	1	375	971
JL7801	34	30	76	46	45	30	-	110	3	3.5	34*18*85	1	311	755
JL736LQ	54	40	69-79	46	36-46	33	35	110	6.4	7.3	40*32*62	2	792	1896
JL736L	50	40	71-81	47	37-47	33	36	110	6.2	7.1	40*30*62	2	792	1896



▲ JL780LH



▲ JL797LH



▲ JL798LH



▲ JL738LH



▲ JL7361LQH



▲ JL736LH



▲ JL3641L



▲ JL7992LU

MODEL	Stool		Chair		Toilet Chair		Toilet Chair		Toilet Chair		Toilet Chair		PC/S/CN	20" FCL (PCS)	45" FCL (PCS)
	UNFOLDED WIDTH	SEAT WIDTH	TOTAL HEIGHT	TOTAL LENGTH	SEAT HEIGHT	SEAT DEPTH	BACKREST HEIGHT	WEIGHT CAPACITY	NW(KG)	GW(KG)	CARTON SIZE (CM)	PC/S/CN			
JL780LH	33	32	38-56	33	38-56	32	-	136	9.6	10.5	37*44*50	6	2750	6950	
JL797LH	50.5	50.5	39-49	39	35-45	30.5	-	136	3.6	4.3	37*20*65	2	1600	3820	
JL798LH	50.5	50	75-85	44	35-45	38	36	136	6.2	7	36*34*61.5	2	792	2850	
JL738LH	43	42	35-45	53.5	35-45	38	33	136	5.2	6.2	66*20*36	2	792	2050	
JL7361LQH	50	40	71-81	50	37-47	41	36	136	6.2	7.1	40*30*62	2	900	2200	
JL736LH	50	40	71-81	50	37-47	41	36	136	6.2	7.1	40*30*62	2	792	1896	
JL3641L	-	-	-	-	49.2-62	-	-	100	4.7	5.4	59*43*101	4	430	1046	
JL7992LU	42	63	83-93	-	45-55	42	38	100	11	13.5	74*51*91.5	1	80	194	



◀ JL568



◀ JL794L



◀ JL569



◀ JL794LS



◀ JL781L



◀ JL794LBS



◀ JL570



◀ JL571

MODEL	Stool		Chair		Toilet Chair		Toilet Chair		Toilet Chair		Toilet Chair		PC/S/CN	20" FCL (PCS)	45" FCL (PCS)
	UNFOLDED WIDTH	SEAT WIDTH	TOTAL HEIGHT	TOTAL LENGTH	SEAT HEIGHT	SEAT DEPTH	BACKREST HEIGHT	WEIGHT CAPACITY	NW(KG)	GW(KG)	CARTON SIZE (CM)	PC/S/CN			
JL568	41	41	15	25	15	22	-	110	3.2	3.7	45*28*21	2	2150	5150	
JL794L	75	41	18	22	7	22	-	110	7	8	82*25*44	5	1552	3714	
JL569	41	41	26	47	26	22	-	110	10	11.2	48*42*41.5	2	670	1610	
JL794LS	79-94	41	18	22	8	22	-	110	1.6	2	42*23.5*11	1	1552	3714	
JL781L	41	41	21-26	23	21-26	22	-	110	2.4	3	46*26*26	2	2000	4780	
JL794LBS	79-94	41	46	39	8	22	39	110	2.5	3.2	46*36*20	1	845	1360	
JL570	32	66	19	73	10	32	-	100	6	6.6	71.5*14.5*32.5	2	840	220	
JL571	35	33.4	20	-	-	-	-	100	2.64	3.36	35*79*2	1	2800	6800	



▲ JL7952



▲ JL7951



▲ JL7941



▲ JL7943



▲ JL7945



▲ JL7946



▲ JL7944



▲ JL7947(SIML)



▲ JL7948

MODEL	Icons		Icons		Icons		Icons		Icons		Icons		Icons		Icons		Icons		PC/S/CN	20" FCL (PCS)	40" FCL (PCS)
	WPK/DESK WIDTH	SEAT WIDTH	TOTAL LENGTH	TOTAL HEIGHT	SEAT DEPTH	SEAT HEIGHT	BACKREST HEIGHT	WEIGHT CAP(KG)	NW(KG)	GW(KG)	CARTON SIZE (CM)	PC/S/CN	20" FCL (PCS)	40" FCL (PCS)							
JL7952	35	35	36	-	-	-	-	100	1.78	5.8	39*9.5*35	1	1900	3400							
JL7951	49	49	44-49	40	40-46	29	-	110	5.1	5.8	50*17*44	1	722	1818							
JL7941	15	15	50	20	-	-	-	3	3.3	16*17.5*51	1	1400	3400								
JL7943	-	-	-	-	-	-	-	4.8	5.6	69*17*25	2	1866	4533								
JL7945	-	-	-	-	-	-	-	20.5	21.8	65*58*20	10	3500	8500								
JL7946	-	-	-	-	-	-	-	5.82	6.5	44*42*18	4	2100	6800								
JL7944	-	-	-	-	-	-	-	6.5	7.5	58*38*46	5	1272	3090								
JL7947(S)	-	-	-	-	-	-	-	34	35.5	105*42*21	50	-	-								
JL7947(M)	-	-	-	-	-	-	-	36	37.6	105*48*21	50	-	-								
JL7947(L)	-	-	-	-	-	-	-	39.5	40.9	105*50*21	50	-	-								
JL7948	-	-	-	-	-	-	-	23.5	24.4	65*28*40	10	3500	8500								



▲ JL7960

MODEL	Icons		Icons		Icons		Icons		Icons		Icons		Icons		Icons		PC/S/CN	20" FCL (PCS)	40" FCL (PCS)
	UNFOLDED WIDTH	SEAT WIDTH	TOTAL LENGTH	TOTAL HEIGHT	SEAT DEPTH	SEAT HEIGHT	BACKREST HEIGHT	WEIGHT CAP(KG)	NW(KG)	GW(KG)	CARTON SIZE (CM)	PC/S/CN	20" FCL (PCS)	40" FCL (PCS)					
JL7960	-	-	48-80	-	-	-	-	-	115	-	78*48*31	1	-	-					



◀ **JL9188LH**

ALUMINUM FRAME,ADJUSTABLE HANDLE HEIGHT,SOFT PVC SEAT,HANDLE GRIPS WITH SYSTEM,DETACHABLE BACKREST,WITH BAG



▲ **JL9181LH**

ALUMINUM FRAME,ADJUSTABLE HANDLE HEIGHT, SOFT PVC SEAT,HANDLE GRIPS WITH BRAKE SYSTEM,10" FRONT CASTERS

▲ **JL9180LH**

ALUMINUM FRAME,ADJUSTABLE HANDLE HEIGHT,SOFT PVC SEAT,HANDLE GRIPS WITH BRAKE SYSTEM,DETACHABLE BACK-REST,WITH BAG



▲ **JL969H**

STEEL FRAME,ADJUSTABLE HANDLE HEIGHT,SOFT PVC SEAT,HANDLE GRIPS WITH BRAKE SYSTEM,DETACHABLE BACK-REST,WITH SHOPPING BASKET AND BAG

▲ **JL914H**

STEEL FRAME,ADJUSTABLE HANDLE HEIGHT,SOFT PVC SEAT,HANDLE GRIPS WITH BRAKE SYSTEM,DETACHABLE BACK-REST,WITH SHOPPING BASKET AND BAG

MODEL	H		H		L		L		L		L		L		L		PCBS/CN	20" FCL (PCS)	40" FCL (PCS)
	UNFOLDED WIDTH	SEAT WIDTH	TOTAL WIDTH	TOTAL LENGTH	SEAT HEIGHT	WHEEL DIA.	SEAT DEPTH	BACKREST HEIGHT	WEIGHT CAP(WG)	NW(KG)	GW(KG)	CARTON SIZE (CM)	PCBS/CN	20" FCL (PCS)	40" FCL (PCS)				
JL9181LH	66	46	81-93	72	54	8"	25	23-25	100	8.2	9.2	69"29"38"	1	400	970				
JL9180LH	62	46	83-96	67	54	8"	25	31-41	100	7.3	8.2	71"25"39"	1	410	1000				

MODEL	H		H		L		L		L		L		L		PCBS/CN	20" FCL (PCS)	40" FCL (PCS)
	UNFOLDED WIDTH	SEAT WIDTH	TOTAL WIDTH	TOTAL LENGTH	SEAT HEIGHT	WHEEL DIA.	SEAT DEPTH	BACKREST HEIGHT	WEIGHT CAP(WG)	NW(KG)	GW(KG)	CARTON SIZE (CM)	PCBS/CN	20" FCL (PCS)			
JL9188LH	60	35	84-102	67	54-62	8"	33	26	100	6.7	8	60"54"18"	1	480	1150		
JL969H	65	-	82-97	58	-	8"	-	-	110	7.4	8.5	64"23"71"	1	270	630		
JL914H	62	38	77-91	69	62	8"	16	-	110	10.3	11.6	58"26"70"	1	260	620		



◀ JL965LH

LIQUID COATED ALUMINUM FRAME,ADJUSTABLE HANDLE HEIGHT,-SOFT PVC SEAT,HANDLE GRIPS WITH BRAKE SYSTEM,DETACHABLE PADDED BACKRST,WITH WIRE BASKET,8" SOLID CASTOR



◀ JL966LH

LIQUID COATED ALUMINUM FRAME,ADJUSTABLE HANDLE HEIGHT,-SOFT PVC SEAT,HANDLE GRIPS WITH BRAKE SYSTEM,DETACHABLE PADDED BACKRST, WITH WIRE BASKET, 8" SOLID CASTOR



◀ JL965LHT

LIQUID COATED ALUMINUM FRAME,ADJUSTABLE HANDLE HEIGHT,HANDLE GRIPS WITH BRAKE SYSTEM,DETACHABLE PADDED BACKREST,SHOPPING BASKET,FOLDBALE FOOTREST



◀ JL9912

POWDER COATING STEEL FRAME,HANDLE GRIPS WITH SLOWLY BRAKE AND PARKING BRAKE SYSTEM,CAN BE FLODED,ADJUSTABLE ANGLE OF INFRONT WHEEL, WITH DETACHABLE BAG WITH LOCK BRAKE



◀ JL9913

POWDER COATING STEEL FRAME,HANDLE GRIPS WITH SLOWLY BRAKE AND PARKING BRAKE SYSTEM,CAN BE FLODED,ADJUSTABLE ANGLE OF INFRONT WHEEL, WITH DETACHABLE BAG



MODEL													PCS/CN	20" FCL (PCS)	40" FCL (PCS)
JL965LH	62	45.5	79-91	69	56	8"	32	25	110	8	9	62*23*5.84	1	220	540
JL966LH	62	45.5	81-91	62	56	6"	32	24	110	7.3	8.6	62*23*83	1	240	540
JL965LHT	62	45.5	79-91	94	55	8"	32	23	110	8	9	62*23*5*84	1	220	540
JL9912	57	42	84	60.5	42.5	7"	34	21	110	7.5	9.3	83*57*37	1	155	377
JL9913	52	42	94	55	43	7"	34.5	28	110	6.6	8.3	92*50*33	1	175	425



▲ JL9633L



▲ JL9634L



▲ JL9636L



▲ JL9637L

MODEL									PCS/CN	20" FCL (PCS)	40" FCL (PCS)
JL9633L	55	50	52-100	-	100	8.6	10	67*32*85	1	370	932
JL9634L	53	46.5	77.5-95	-	100	4.38	5.36	76*52*114	1	560	1360
JL9636L	66.5	64	81-99	8"	100	4	5.3	72*15.5*89	1	730	1760
JL9637L	75	-	85-11	-	100	-	-	80*41*89	4	94	231



◀ JL961L



◀ JL9632L



◀ JL963L



◀ JL919L



◀ JL9162L



MODEL											
JL961L	55	46	75-92	-	100	13.6	16	59*33*76	4	760	1820
JL9632L	55	50	82-100	-	100	10	11.4	56*28*85	4	840	2010
JL963L	56	46	77-95	-	100	10	11.4	54*30*79	4	880	2110
JL919L	57	46	78-96	-	100	10	11.4	54*30*79	4	880	2110
JL9162L	55	55	62-75	-	100	2.2	2.7	54*11*38	1	1046	2530



◀ JL913L



JL913L(S)



◀ JL915L



◀ JL967L



◀ JL917L(SWML)



◀ JL912L



◀ JL918L

MODEL											
JL913L	57	46	78-96	-	100	9.6	11	54*30*79	4	880	2110
JL913L(S)	52	43	56-73.5	-	100	8	9	51*30*57	4	1470	3520
JL915L	57	46	78-96	-	100	10	11.4	54*30*79	4	900	2200
JL967L	58	45	79-97	-	100	10.8	12.2	54*30*75	4	920	2210
JL917L(S)	51	42	65-75	-	100	13.6	15.8	76*68*35	10	1550	3720
JL917L(M)	53	43	75-85	-	100	14.4	16.8	86*68*35	10	1370	3280
JL917L(L)	55	44	85-95	-	100	15.1	17.8	96*68*35	10	1228	2930
JL912L	63.5	50	78-96	4"	100	11	13.4	62*30*82	4	730	1760
JL918L	58	-	80-90	3"	100	2.46	5.6	53*16*69	2	470	1154



◀ JL9123L(L)



◀ JL9123L(S)



◀ JL9145L(S)



◀ JL9122L



▶ JL9103



▶ JL9102L



▶ JL9101

MODEL	H		A		L		L		S		S		PCBS/CN	20" FCL (PCS)	40" FCL (PCS)
	UNFOLDED WIDTH	SEAT WIDTH	TOTAL HEIGHT	WHEEL DIA.	WEIGHT CAPACITY	NRW(KG)	GW(KG)	CARTON SIZE (CM)	PCBS/CN	20" FCL (PCS)	40" FCL (PCS)				
JL9123L(L)	67.5	85.5	85-104	5"	100	10	12	83*20*97	2	385	960				
JL9123L(S)	69	72	60-80	4"	100	8	9.3	80*19*75	2	385	960				
JL9145L(S)	53	41	48-58	-	100	2.8	3.8	54*21*61	2	800	1950				
JL9122L	52	39	45-55	-	-	6	6.9	66*18*65	2	-	-				
JL9103	60	65	115-140	10"	100	18	20	87*73*23	1	190	452				
JL9102L	65	73	110-133	5"	100	11.6	13.1	75*22.5*89	1	190	452				
JL9101	62	38	57-81	3"	100	5.46	7.38	62*65*57	1	121	295				



◀ JL914L



◀ JL9140L



◀ JL9141



◀ JL9143



◀ JL9190



◀ JL9191

MODEL	H		A		L		L		S		S		PCBS/CN	20" FCL (PCS)	40" FCL (PCS)
	UNFOLDED WIDTH	SEAT WIDTH	TOTAL HEIGHT	WHEEL DIA.	WEIGHT CAPACITY	NRW(KG)	GW(KG)	CARTON SIZE (CM)	PCBS/CN	20" FCL (PCS)	40" FCL (PCS)				
JL914L	60	51	82-92	4"	100	7.5	9.2	61*36*91	2	280	700				
JL9140L	49	54	86-91	5"	100	8.4	11.2	61*50*89	2	100	252				
JL9141	58	46	76-94	4.5"	100	4.1	4.9	53.5*15*71.5	1	465	1130				
JL9143	46	32	50-62	6"	100	3.9	4.75	56*46*16	1	560	1360				
JL9190	92	-	86-107	9"	100	9.7	11.3	71.5*29*88	1	290	730				
JL9191	92	-	86-107	9"	100	9.7	11.3	71.5*29*88	1	290	730				



MODEL	T		+		□		PCS/CN
	TOTAL HEIGHT	WEIGHT (CARBON)	NW(KG)	GW(KG)	CARTON SIZE (CM)	PCS/CN	
JL9302L	71-94	100	7.1	7.6	65*16*27	20	
JL9303L	71-94	100	7.1	7.6	65*16*27	20	
JL9304L	71-94	100	7.1	7.6	65*16*27	20	

MODEL	T		+		□		PCS/CN
	TOTAL HEIGHT	WEIGHT (CARBON)	NW(KG)	GW(KG)	CARTON SIZE (CM)	PCS/CN	
JL9283LH	76-98	136	6	7.3	77*33*17	20	
JL9213L	86-104	100	17	19.6	93*48*89	10	
JL933LH	95-125	120	11	13	94*31*31	10	



JL910L JL920L JL9206L JL930L JL9301L JL9306L



JL929L JL9296 JL948L JL910L-A JL920L-2 JL9300L

MODEL	T		+		□		PCS/CN
	TOTAL HEIGHT	WEIGHT (CARBON)	NW(KG)	GW(KG)	CARTON SIZE (CM)	PCS/CN	
JL910L	90	100	6.5	7.5	95*15*26	20	
JL920L	71-94	100	7.1	7.6	65*16*27	20	
JL9206L	70-93	100	7.1	7.6	65*16*27	20	
JL930L	70-93	100	6.8	7.4	66*16*27	20	
JL9301L	70-93	100	6.8	7.4	66*16*27	20	
JL9306L	69-92	100	7.1	7.6	65*16*27	20	

MODEL	T		+		□		PCS/CN
	TOTAL HEIGHT	WEIGHT (CARBON)	NW(KG)	GW(KG)	CARTON SIZE (CM)	PCS/CN	
JL929L	72-95	100	7.1	7.6	65*16*27	20	
JL9296	90	100	6	7	95*16*29	20	
JL948L	76-86	100	6.9	7.6	58*20*23	20	
JL910L	90	100	6.5	7.5	95*15*26	20	
JL920L	71-94	100	7.1	7.6	65*16*27	20	
JL9300L	76-99	100	7.5	8.5	75*36*15	20	



MODEL						PCS/CN
	TOTAL HEIGHT	WEIGHT CAP(WG)	NW(KG)	GW(KG)	CARTON SIZE (CM)	
JL939L	79-102	100	6.5	7	65*16*27	20
JL9211L	71-96	100	7	8	70*37*20	20
JL9212L	73-96	100	9.1	9.7	70*74.5*15.5	20
JL9280L	75-98	100	6.2	7.3	77*31*17	20
JL9281L	75-98	100	6.2	7.3	77*31*17	20
JL950L	74-97	100	5	6.1	18.5*58*90	10

MODEL						PCS/CN
	TOTAL HEIGHT	WEIGHT CAP(WG)	NW(KG)	GW(KG)	CARTON SIZE (CM)	
JL938L	76-99	100	6	7	76*43*15	20
JL9283L	76-99	100	6	7	76*43*15	20
JL927L	80-90	100	7.2	7.7	61*13*23	20
JL9276L	80-90	100	7.2	7.6	61*13*23	20
JL936L	83-119	100	9.1	9.7	66*17*22	40
JL9274L	83.5-93.5	100	8	8.8	74*30*21	20



MODEL						PCS/CN
	TOTAL HEIGHT	WEIGHT CAP(WG)	NW(KG)	GW(KG)	CARTON SIZE (CM)	
JL9285L	74-97	100	6.5	7.6	77*33*17	20
JL9335L	87-117	100	10.6	11.6	88*31*31	20
JL933L(XL)	108-138	100	11.2	11.5	107*31*31	20
JL933L(L)	95-125	100	11	12	94*31*31	20
JL933L(M)	87-117	100	10.6	11.6	88*31*31	20
JL933L(S)	79-109	100	10	11	88*31*31	20

MODEL						PCS/CN
	TOTAL HEIGHT	WEIGHT CAP(WG)	NW(KG)	GW(KG)	CARTON SIZE (CM)	
JL9334L	87-117	100	10.6	11.6	88*31*31	20
JL923L	85-116	100	9.8	10.7	85*28*31	20
JL9331L	96-127	100	11.6	12.9	93*31*36	20
JL933A	98-128	100	8	9.3	141*32*31	10
JL9314L	105-128	100	17	20	119*58*45	20
JL921L	73-96	100	7	8.5	80*37*47	10



JL921 JL924 JL932 JL9481L JL922 JL924L JL931L



JL931 JL947 JL934 JL9480L JL926 JL9261



JL943L JL9402L JL911L JL940L JL941L

MODEL						PCS/CN
	TOTAL HEIGHT	WEIGHT (CARBON)	NW(KG)	GW(KG)	CARTON SIZE (CM)	PCS/CN
JL921	72-95	100	8.8	10.5	80*35*45	10
JL924	65-88	100	8.1	9.3	79*30*34	10
JL932	73-96	100	8.5	9.8	82*28*42	10
JL9481L	71-94	100	11	12.9	123*20.5*68	20
JL922	64-87	100	7.9	9.3	81*31*39	10
JL924L	66-88	100	8.1	9.3	79*30*34	10
JL931L	73-96	100	7	8.7	80*35*47	10

MODEL						PCS/CN
	TOTAL HEIGHT	WEIGHT (CARBON)	NW(KG)	GW(KG)	CARTON SIZE (CM)	PCS/CN
JL931	72-95	100	8.8	10.5	80*35*47	10
JL947	72-95	100	8	9.3	76*34*39	10
JL934	65-88	100	8.2	9.3	79*30*34	10
JL9480L	70-93	100	5.8	7.1	123*20.5*37.5	10
JL926	73-96	100	7.9	9.2	79*30*34	10
JL9261	79-102	100	0.75	1.42	29*22*90	1



JL9207LW-3 JL9207LW-2 JL9301L-1 JL9301L-2 JL9382L JL9208L



JL937L-1 JL937L-2 JL937L-3 JL937L-4 JL937L-5 JL937L-6

MODEL						PCS/CN
	TOTAL HEIGHT	WEIGHT (CARBON)	NW(KG)	GW(KG)	CARTON SIZE (CM)	PCS/CN
JL943L	84/50	100	9	10	85*30*39	10
JL9402L	78/49	100	8.5	9.9	89*27*44	10
JL911L	84/49	100	9	10	85*30*39	10
JL940L	78/49	100	8	10	84*21*44	10
JL941L	86-93.8	100	10.7	11.9	89*27*44	10
JL937L	95-118	100	9.6	10.8	101*31*31	20

MODEL						PCS/CN
	TOTAL HEIGHT	WEIGHT (CARBON)	NW(KG)	GW(KG)	CARTON SIZE (CM)	PCS/CN
JL9207LW-3	71-49	100	7.2	7.7	65*15*26	20
JL9207LW-2	71-49	100	7.2	7.7	65*15*26	20
JL9301L-1	71-94	100	7	7.6	65*15*27	20
JL9301L-2	71-94	100	7	7.6	65*15*27	20
JL9382L	77-100	100	6.4	7.5	79*29*18	20
JL9208L	71-84	100	7	7.6	65*15*27	20



JL925L(SIML)



JL935(SIML)



JL9254L



JL9450



JL9279L



JL9233L



JL9287L



JL9451

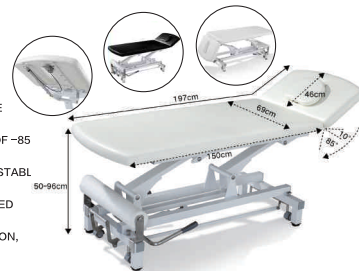
MODEL	T		H		W		PC/SCN
	TOTAL HEIGHT (CM)	WEIGHT (KG)	NW(KG)	GW(KG)	CARTON SIZE (CM)	PC/SCN	
JL925L(S)	95-115	100	14.7	16.1	101*32*31	20	
JL925L(M)	115-135	100	15.9	17.6	121*32*31	20	
JL925L(L)	135-155	100	17.3	19.2	141*32*31	20	
JL935(S)	98-118	100	16.3	17.4	104*34*29	20	
JL935(M)	113-133	100	17.4	18.7	119*34*29	20	
JL935(L)	128-148	100	18.9	20.3	134*34*29	20	

MODEL	T		H		W		PC/SCN
	TOTAL HEIGHT (CM)	WEIGHT (KG)	NW(KG)	GW(KG)	CARTON SIZE (CM)	PC/SCN	
JL9254L	99-130	100	18.9	20.3	134*34*29	20	
JL9450	78-97.5	100	8	9.3	76*34*39	20	
JL9279L	84-94.5	100	7.2	7.6	61*17*23	20	
JL9233L	81-91.5	100	9.1	9.7	70*75*16	20	
JL9287L	77.5-100	100	7.1	7.6	65*16*27	20	
JL9451	72-94	100	4	9.7	61*65*46	20	

JL-H5000

HYDRAULIC TREATMENT TABLE

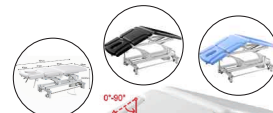
1. THE BED CAN BE OVERALL LIFT WITH HEIGHT RANGE OF 50-96CM.(MANUAL)
2. THE HEAD CAN BE UP AND DOWN WITH THE ANGLE OF -85 ~ 100°. (MANUAL)
3. ADJUST THE FOOT PAD TO MAKE THE BEAUTY BED STABLE (MANUAL)
4. STEP ON THE FOOT OF BEAUTY BED, IT CAN BE MOVED FREELY.
5. SUITABLE FOR HOTEL, HEALTH CLUB, BEAUTY SALOON, HOSPITAL AND MASSAGESCHOOL.



JL-E5001

ELECTRIC TREATMENT TABLE

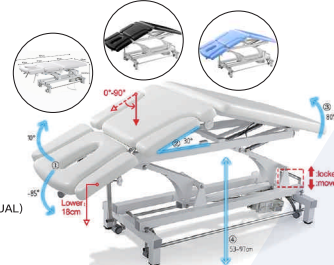
1. THE BED CAN BE OVERALL LIFT WITH HEIGHT RANGE OF 57-86CM.
2. THE HEAD CAN BE TILTED UPWARD WITH A MAXIMUM ANGLE OF 500.(MANUAL)
3. DEPRESSION FOOT PEDAL, BEAUTY BED CAN BE FREE TO MOVE.
4. ADJUST THE FOOT PAD TO KEEP THE BED STEADY.



JL-E5002

ELECTRIC TREATMENT TABLE

1. THE BED CAN BE OVERALL LIFT WITH HEIGHT RANGE OF 53-97CM.(MOTOR)
2. THE HEAD CAN BE TILTED WITH A MAXIMUM ANGLE OF 750.(MANUAL)
3. ADJUST THE FOOTPAD CAN KEEP BED'S BALANCE.(MANUAL)
4. STEP THE KEY UNDER CAN MOVE THE BED.
5. SUITABLE FOR HOTEL, HEALTH CLUB, BEAUTY SALOON, HOSPITAL AND MASSAGER SCHOOL.



MODEL	T		H		W		PC/SCN	
	LENGTH	WIDTH	HEIGHT	MAXLOAD	PACKING DIMENSIONS	NW(KG)		GW(KG)
JL-H5000	197	69	50/96	200	200*70*55	63	73	1
JL-E5001	186	66	58	200	194*69*70	90	95	1
JL-E5002	197	69	53/97	200	200*70*55	83	93	1



HOSPITAL BED



JL258

- 1)ADVANCED MEDICAL MOTORS SYSTEM,(4PCS MOTORS,1 PCS CONTROL BOX,1 PCS HANDSET)
- 2)COLD STEEL PLATE WHOLLY MOLDED SURFACE, CONNECTED WITH ABS SOFT JOIN.
- 3)P. P HEAD AND FOOT BOARD;
- 4)LUXURY FOUR-FOLD P.P GUARDRAILS,EASY TO LIFT UP AND DOWN BY GAS SPRING,WITH PUSH BUTTONS ON GUARDRAILS;
- 5)PEDAL CENTRAL-CONTROLLED CASTER BRAKE SYSTEM
- 6)CPR FUNCTION
- 7)ACP BUTTON FOOTBOARD& GUARDRAIL CONVENIENCE FOR NURSING OPERATION;
- 8)LCD SCREEN, AND WEIGHTING FUCNTION FREELY.

- ACCESSORIES:
- 1)LV. POLE;
- PARAMETER:
- 1)ANGLE OF BACK SECTION: 0 ~ 80° (±5°)
 - 2)ANGLE OF LEG SECTION: 0 ~ 40° (±5°)
 - 3)ADJUSTABLE HEIGHT:500-750MM
 - 4)ANGLE OF TRENDELENBURG SECTION:0 ~ 12° (±2°)
 - 5)SIZE:L2150 × W1100 × H500-750MM



JL259

- 1)ADVANCED MEDICAL ELECTRICAL MOTOR SYSTEM,(4PCS MOTORS,1 PCS CONTROL BOX,1 PCS HANDSET)
- 2)COLD STEEL PLATE WHOLLY MOLDED SURFACE, CONNECTED WITH ABS SOFT JOIN.
- 3)P. P HEAD AND FOOT BOARD;
- 4)LUXURY FOUR-FOLD P.P GUARDRAILS,EASY TO LIFT UP AND DOWN BY GAS SPRING;
- 5)PEDAL CENTRAL-CONTROLLED CASTER BRAKE SYSTEM
- 6)CPR FUNCTION
- 7)ACP BUTTON FOOTBOARD& GUARDRAIL CONVENIENCE FOR NURSING OPERATION;

- ACCESSORIES:
- 1)LV. POLE;
- PARAMETER:
- 1)ANGLE OF BACK SECTION: 0 ~ 80° (±5°)
 - 2)ANGLE OF LEG SECTION: 0 ~ 40° (±5°)
 - 3)ADJUSTABLE HEIGHT:500-750MM
 - 4)ANGLE OF TRENDELENBURG SECTION:0 ~ 12° (±2°)
 - 5)SIZE:L2150 × W1100 × H500-750MM



JL257

- 1)ADVANCED MEDICAL ELECTRICAL MOTOR SYSTEM,(4PCS MOTORS,1 PCS CONTROL BOX, 1 PCS HANDSET);
- 2)COLD STEEL PLATE WHOLLY MOLDED SURFACE, CONNECTED WITH ABS SOFT JOIN.
- 3)P. P HEAD AND FOOT BOARD;
- 4)LUXURY FOUR-FOLD P.P GUARDRAILS,EASY TO LIFT UP AND DOWN BY GAS SPRING;
- 5)PEDAL CENTRAL-CONTROLLED CASTER BRAKE SYSTEM;

- ACCESSORIES:
- 1)LV. POLE;
- PARAMETER:
- 1)ANGLE OF BACK SECTION: 0 ~ 80° (±5°)
 - 2)ANGLE OF LEG SECTION: 0 ~ 40° (±5°)
 - 3)ADJUSTABLE HEIGHT:500-750MM
 - 4)ANGLE OF TRENDELENBURG SECTION:0 ~ 12° (±2°)
 - 5)SIZE:L2120 × W1100 × H500-750MM"



▶ JL260

- 1) ADVANCED MEDICAL MOTORS SYSTEM, (4PCS MOTORS, 1 PCS CONTROL BOX, 1 PCS HANDSET)
- 2) COLD STEEL PLATE WHOLLY MOLDED SURFACE, CONNECTED WITH ABS SOFT JOINT.
- 3) P, P HEAD AND FOOT BOARD;
- 4) LUXURY FOUR-FOLD P,P GUARDRAILS, EASY TO LIFT UP AND DOWN BY GAS SPRING;
- 5) PEDAL CENTRAL-CONTROLLED CASTER BRAKE SYSTEM
- 6) ELECTRIC CPR FUNCTION
- 7) LUXURY HANDLE PANEL, WITH LCD SHOWING BED FUNCTIONS;

ACCESSORIES:

1) I.V. POLE;

PARAMETER:

- 1) ANGLE OF BACK SECTION: 0 ~ 80° (±5°)
- 2) ANGLE OF LEG SECTION: 0 ~ 40° (±5°)
- 3) ADJUSTABLE HEIGHT: 500~750MM
- 4) ANGLE OF TRENDLENBURG SECTION: 0 ~ 12° (±2°)
- 5) SIZE: L2150 × W1100 × H500~750MM*



▶ JL633

- 1) THREE MANUAL CRANK SYSTEM;
- 2) COLD STEEL PLATE WHOLLY MOLDED SURFACE.
- 3) P, P HEAD AND FOOT BOARD;
- 4) ALUMINUM ALLOY GUADRAILS, WHICH CAN BE FOLDABLE UP AND DOWN EASILY;
- 5) 5" WHITE NOISELESS CASTER

ACCESSORIES:

1) I.V. POLE;

PARAMETER:

- 1) ANGLE OF BACK SECTION: 0 ~ 80° (±5°)
- 2) ANGLE OF LEG SECTION: 0 ~ 40° (±5°)
- 3) ADJUSTABLE HEIGHT: 500~750MM
- 4) SIZE: L2120 × W970 × H500~750MM



▶ JL635

- 1) ADVANCED MEDICAL MOTORS SYSTEM, (3PCS MOTORS, 1 PCS CONTROL BOX, 1 PCS HANDSET)
- 2) COLD STEEL PLATE WHOLLY MOLDED SURFACE
- 3) P, P HEAD AND FOOT BOARD, EASY TO WASH
- 4) ALUMINUM ALLOY GUADRAILS, WHICH CAN BE FOLDABLE UP AND DOWN EASILY;
- 5) 4" WHITE NOISELESS CASTER;

ACCESSORIES:

1) I.V. POLE;

PARAMETER:

- 1) ANGLE OF BACK SECTION: 0 ~ 80° (±5°)
- 2) ANGLE OF LEG SECTION: 0 ~ 40° (±5°)
- 3) ADJUSTABLE HEIGHT: 210~580MM
- 4) SIZE: L2120 × W970 × H210~580MM



▶ JL256

- 1) TWO MANUAL CRANK SYSTEM;
- 2) COLD STEEL PLATE WHOLLY MOLDED SURFACE.
- 3) P, P HEAD AND FOOT BOARD;
- 4) ALUMINUM ALLOY GUADRAILS, WHICH CAN BE FOLDABLE UP AND DOWN EASILY;
- 5) 5" WHITE NOISELESS CASTER;

ACCESSORIES:

1) I.V. POLE;

PARAMETER:

- 1) ANGLE OF BACK SECTION: 0 ~ 80° (±5°)
- 2) ANGLE OF LEG SECTION: 0 ~ 40° (±5°)
- 3) SIZE: L2120 × W970 × H485MM



▶ JL636

- 1) ADVANCED MEDICAL ELECTRICAL MOTOR SYSTEM, (3PCS MOTORS, 1 PCS CONTROL BOX, 1 PCS HANDSET)
- 2) COLD STEEL PLATE WHOLLY MOLDED SURFACE.
- 3) P, P HEAD AND FOOT BOARD;
- 4) ALUMINUM ALLOY GUADRAILS, WHICH CAN BE FOLDABLE UP AND DOWN EASILY;
- 5) 5" WHITE NOISELESS CASTER;

ACCESSORIES:

1) I.V. POLE;

PARAMETER:

- 1) ANGLE OF BACK SECTION: 0 ~ 80° (±5°)
- 2) ANGLE OF LEG SECTION: 0 ~ 40° (±5°)
- 3) ADJUSTABLE HEIGHT: 500~750MM
- 4) SIZE: L2120 × W970 × H500~750MM



▶ JL256C

- 1) TWO MANUAL CRANK SYSTEM;
- 2) COLD STEEL PLATE WHOLLY MOLDED SURFACE.
- 3) P, P HEAD AND FOOT BOARD;
- 4) ALUMINUM ALLOY GUADRAILS, WHICH CAN BE FOLDABLE UP AND DOWN EASILY;
- 5) PEDAL CENTRAL-CONTROLLED CASTER BRAKE SYSTEM;

ACCESSORIES:

1) I.V. POLE;

PARAMETER:

- 1) ANGLE OF BACK SECTION: 0 ~ 80° (±5°)
- 2) ANGLE OF LEG SECTION: 0 ~ 40° (±5°)
- 3) SIZE: L2120 × W970 × H485MM



JL8101

- 1)ADVANCED MEDICAL MOTORS SYSTEM,(4PCS MOTORS,1 PCS CONTROL BOX, 1 PCS HANDSET)
- 2)FENCE TUBE BED BOARD;
- 3)WOODEN HEAD AND FOOT BOARD, BEAUTY DESIGN, COM-FORTABLE, HOME FEELING.
- 4)SLIDING WOODEN SIDERAILS, FREELY USE, TO STOP PEOPLE DROP DOWN FROM BED.
- 5)HEAVY DUTY CASTER, 2PCS WITH BRAKE, 2PCS WITHOUT BRAKE;

PARAMETER:

- 1)ANGLE OF BACK SECTION: 0 ~ 80° (±5°)
- 2)ANGLE OF LEG SECTION: 0 ~ 40° (±5°)
- 3)ADJUSTABLE HEIGHT: 380-800MM
- 4)SIZE: L2000 × W100 × H380-800MM



JL8102

- 1)ADVANCED MEDICAL ELECTRICAL MOTOR SYSTEM,(3PCS MOTORS, 1 PCS CONTROL BOX, 1 PCS HANDSET)
- 2)COLD STEEL PLATE WHOLLY MOLDED SURFACE.
- 3)WOOD HEARD AND FOOT BOARD AND SIDE DECOR;
- 4)ALUMINUM ALLOY GUADRAILS, WHICH CAN BE FOLDABLE UP AND DOWN EASILY;
- 5)5" WHITE NOISELESS CASTER;

ACCESSORIES:

- 1).LV. POLE;
- PARAMETER:
- 1)ANGLE OF BACK SECTION: 0 ~ 80° (±5°)
 - 2)ANGLE OF LEG SECTION: 0 ~ 40° (±5°)
 - 3)ADJUSTABLE HEIGHT: 500-750MM
 - 4)SIZE: L2120 × W970 × H500-750MM



JL8103

- 1)ADVANCED MEDICAL MOTORS SYSTEM,(2PCS MOTORS, 1 PCS CONTROL BOX, 1 PCS HANDSET)
- 2)TUBING TYPE BED BOARD;
- 3)WOODEN HEAD AND FOOT BOARD, BEAUTY DESIGN, COM-FORTABLE, HOME FEELING;
- 4)ALUMINUM ALLOY GUADRAILS, WHICH CAN BE FOLDABLE UP AND DOWN EASILY;

PARAMETER:

- 1)ANGLE OF BACK SECTION: 0 ~ 80° (±5°)
- 2)ANGLE OF LEG SECTION: 0 ~ 40° (±5°)
- 3)SIZE: L2000 × W970 × H485MM

JL8100

- 1)TWO MANUAL CRANK SYSTEM;
- 2)COLD STEEL PLATE WHOLLY MOLDED SURFACE.
- 3)WOODEN HEAD AND FOOT BOARD, SIDE WOOD PANEL DECORATION, BEAUTY DESIGN, COMFORTABLE;
- 4)ALUMINUM ALLOY GUADRAILS, WHICH CAN BE FOLDABLE UP AND DOWN EASILY;

ACCESSORIES:

- 1).LV HOLES, AND URINE HOOKS.
- OPTIONAL CONFIGURATION: MATTRESS, OVER BED TABLE, ODDMENT SHELF, LV. POLE

PARAMETER:

- 1)ANGLE OF BACK SECTION: 0 ~ 80° (±5°)
- 2)ANGLE OF LEG SECTION: 0 ~ 40° (±5°)
- 3)SIZE: L2000 × W970 × H485MM



JL700

LUXURY BABY TROLLEY . ALL THE PRODUCTS MADE OF BEAUTY ABS PLASTIC . WITH BIG TRANSPRANTS BABY BASINET . BASE CAN LIFTED UP AND DOWN BY GAS SPRING , BED CAN TITLE FROM ONE SIDE TO ANOTHER SIDE , 4PCS SUPER STABLE CASTER , WITH SELFBRAKS ;

JL701

TRANSPARENT ACRYLIC BASSINET, BASKET ODDMENT, 4PCS CASTERS; SIZE: L820 × W520 × H850MM; OPTIONAL CONFIGURATION: MATTRESS,



JL702

- 1)TWO MANUAL CRANK SYSTEM;
- 2)COLD STEEL PLATE WHOLLY MOLDED SURFACE.
- 3)TWO FENCE GUADRAILS ALUMINUM WITH ABS COVER, HI-LOW BY GAS SPRING, 3 POSIONS;
- 4)5" WHITE NOISELESS CASTER, ALL BRAKE;
- 6) NEWL BEAUTY HEARD BOARD DESIGN, SIDERAILS SWITCH;

PARAMETER:

- 1)ANGLE OF BACK SECTION: 0 ~ 80° (±5°)
- 2)ANGLE OF LEG SECTION: 0 ~ 40° (±5°)
- 3)SIZE: L1700 × W800 × H650MM
- 4)BIG SHELF AT BOTTOM FOR STORAGE;





▲ JL5663

OVER BED TABLE



▲ JL563

OVER BED TABLE



▲ JL564

OVER BED TABLE



▲ JL565

OVER BED TABLE



▲ JL566

OVER BED TABLE



▲ JL5661

OVER BED TABLE



▲ JL5662

OVER BED TABLE



▲ JL1302

BED RAIL



▲ JL1303

BED RAIL



▲
ELECTRIC PATIENT LIFT
JL9102



▲
MANUAL PATIENT LIFT
JL9100



▲
PEDAL EXERCISER
JL960



▲
PEDAL EXERCISER
JL9601



▲
PEDAL EXERCISER
JL9602



JLC071-030(LIMS)

STAINLESS STEEL THERAPY(CART WITH 2 DRAWER)



JLC074

STAINLESS STEEL THERAPY(CART WITH 1 DRAWER)



JLC030-125



JLB075-32
JLB075-33
JLB075-34

TWO PART
THREE PART
FOUR PART

STAINLESS STEEL FOLDING CURTAIN



JLZ101

IV STAND



JLZ102

IV STAND



JLZF24

STOOL



JL661B



JL662B



JL663B



JL664B



JL665B



JL668B



JL669B



JL670B



JL669A



JL003



JL531



JL532



JL567



JL589



JL590



JL591



JL512



JL561



JL505



JL50

COLOR SAMPLE OF SEAT AND BACK REST



STICK COLOUR







JIANLIAN HOMECARE PRODUCTS CO., LTD

ADDRESS:DALI XIEBIAN INDUSTRIAL PARK,
NANHAI DISTRICT, FOSHAN CITY, GUANG-
DONG PROVINCE, P.R.CHINA

TEL:0086 757 85563418 85511043

FAX:0086 757 85565903

WEBSITE:www.gdjianlian.com
www.gdjianlian.com.cn

E-MAIL:gdjianlian@gdjianlian.com

BUSINESE LINE:0086 13078149312
0086 13928642013

