

CERTIFICATE

No.: TM 62000762 011



Licence holder

Company Sporttehnika LTD
Ushinskogo 24,
14014 Chernihov
Ukraine

Manufacturing Plant

Company Sporttehnika LTD
Ushinskogo 24,
14014 Chernihov
Ukraine



Project number

26201060 001

Our reference

39036524

The period of validity

from 2016-07-22 to 2019-07-12

Scope of evaluation

EN 16630:2015

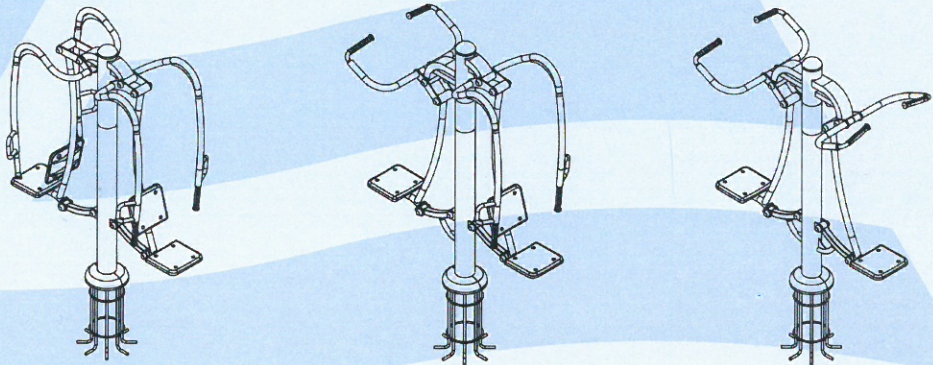
Certification program PCWU-5

Certified Product (Product Identification)

Permanently installed outdoor fitness equipment

Product name:	Supine press	Supine press - Lat pull down	Lat pull down
Symbol:	SE101	SE101-102	SE102
Dimensions [mm]: L x W x H	1596 x 875 x 1948	1584 x 875 x 1948	1578 x 874 x 1848
Max load per user [kg]:	130	130	130
Main material:	galvanized and/or powder coated steel; plastic caps, seats and supports; rubber handles		

Product visualization:



replaces: TM62000762 001

TÜV Rheinland Polska Sp. z o.o.

ul. 17 Stycznia 56,
02-146 Warszawa, Polska
Tel.: (+48/22) 846 79 99
Tel.: (+48/22) 868 37 42
e-mail: post@pl.tuv.com



Warsaw, 2016-07-22

Product Certification Body

Tomasz Mańczak

This certificate is subjected to the Certification Regulations as well as the General Conditions of Including Transactions in TRP and refers only to the products consistent with the sample being the basis of the carried out confirmation test. This certificate alone does not entitle the holder to attach the CE marking. The validity of the certificate can be checked on www.certipedia.com



Safety
Regular
Production
Surveillance



www.tuv.com
ID 0000051557

TÜVRheinland®
Precisely Right.

www.tuv.pl

CERTIFICATE

No.: TM 62000762 012



Licence holder

Company Sporttehnika LTD
Ushinskogo 24,
14014 Chernihov
Ukraine

Manufacturing Plant

Company Sporttehnika LTD
Ushinskogo 24,
14014 Chernihov
Ukraine



Project number

26201060 001

Our reference

39036524

The period of validity

from 2016-07-22 to 2019-07-12

Scope of evaluation

EN 16630:2015

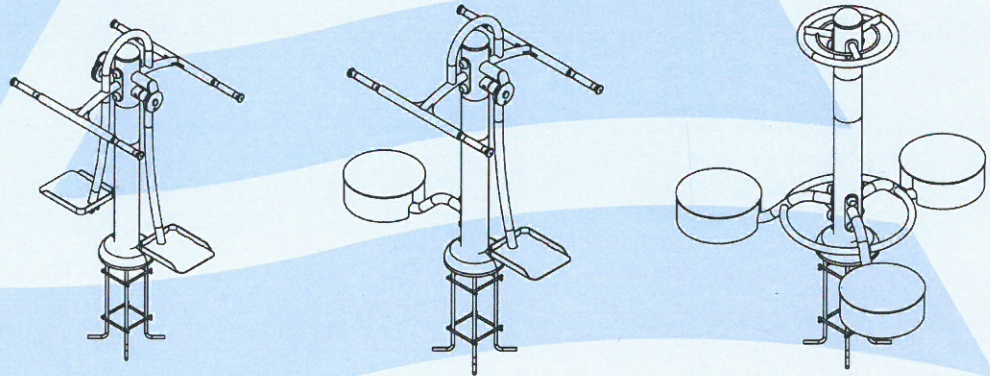
Certification program PCWU-5

Certified Product (Product Identification)

Permanently installed outdoor fitness equipment

Product name:	Adductor - Abductor	Adductor - Abductor - Twister	Twister
Symbol:	SE104	SE104-114	SE114
Dimensions [mm]: L x W x H	1088 x 797 x 1426	1366 x 797 x 1426	1335 x 1479 x 1353
Max load per user [kg]:	130	130	130
Main material:	galvanized and/or powder coated steel; plastic caps; rubber handles; steel foot support		

Product visualization:



replaces: TM62000762 002

TÜV Rheinland Polska Sp. z o.o.

ul. 17 Stycznia 56,
02-146 Warszawa, Polska
Tel.: (+48/22) 846 79 99
Tel.: (+48/22) 868 37 42
e-mail: post@pl.tuv.com



Warsaw, 2016-07-22

Product Certification Body

Tomasz Mańczak

This certificate is subjected to the Certification Regulations as well as the General Conditions of Including Transactions in TRP and refers only to the products consistent with the sample being the basis of the carried out confirmation test. This certificate alone does not entitle the holder to attach the CE marking. The validity of the certificate can be checked on www.certipedia.com



Safety
Regular
Production
Surveillance



www.tuv.com
ID 0000051557

TÜVRheinland®
Precisely Right.

www.tuv.pl

CERTIFICATE

No.: TM 62000762 013



Licence holder

Company Sporttehnika LTD
Ushinskogo 24,
14014 Chernihov
Ukraine

Manufacturing Plant

Company Sporttehnika LTD
Ushinskogo 24,
14014 Chernihov
Ukraine



Project number

26201060 001

Our reference

39036524

The period of validity

from 2016-07-22 to 2019-07-12

Scope of evaluation

EN 16630:2015

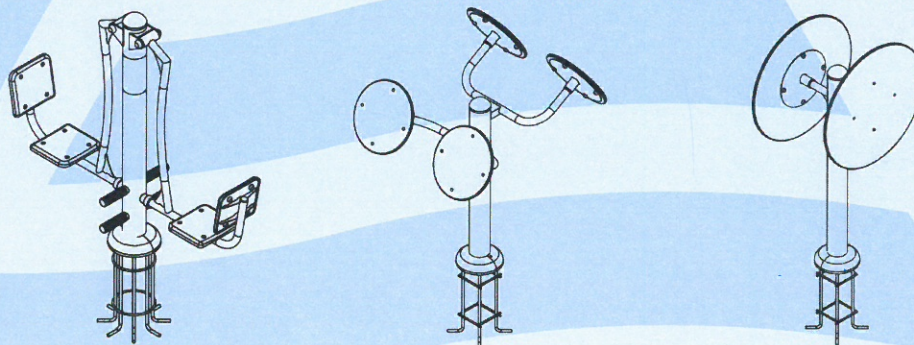
Certification program PCWU-5

Certified Product (Product Identification)

Permanently installed outdoor fitness equipment

Product name:	Leg press	Shoulders training (4 small wheels)	Shoulders training (2 big wheels)
Symbol:	SE103	SE107	SE108
Dimensions [mm]: L x W x H	1777 x 500 x 1548	1256 x 1180 x 1541	678 x 900 x 1855
Max load per user [kg]:	130	130	130
Main material:	galvanized and/or powder coated steel; plastic caps, seats, supports; rubber foot supports; plywood wheels		

Product visualization:



replaces: TM 62000762 003

TÜV Rheinland Polska Sp. z o.o.

ul. 17 Stycznia 56,
02-146 Warszawa, Polska
Tel.: (+48/22) 846 79 99
Tel.: (+48/22) 868 37 42
e-mail: post@pl.tuv.com



Product Certification Body

Tomasz Mańczak
Tomasz Mańczak

This certificate is subjected to the Certification Regulations as well as the General Conditions of Including Transactions in TRP and refers only to the products consistent with the sample being the basis of the carried out confirmation test. This certificate alone does not entitle the holder to attach the CE marking. The validity of the certificate can be checked on www.certipedia.com



Safety
Regular
Production
Surveillance



www.tuv.com
ID 0000051557

 **TÜVRheinland®**
Precisely Right.

www.tuv.pl

CERTIFICATE

No.: TM 62000762 016



Licence holder

Company Sporttehnika LTD
Ushinskogo 24,
14014 Chernihov
Ukraine



Manufacturing Plant

Company Sporttehnika LTD
Ushinskogo 24,
14014 Chernihov
Ukraine

Project number

26201060 001

Our reference

39036524

The period of validity

from 2016-07-22 to 2019-07-12

Scope of evaluation

EN 16630:2015

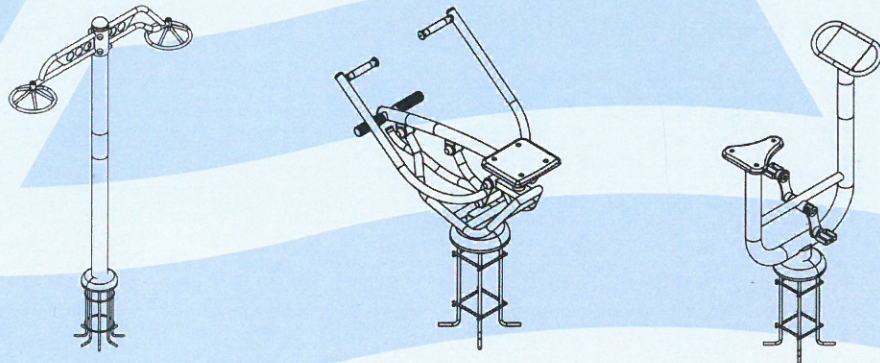
Certification program PCWU-5

Certified Product (Product Identification)

Permanently installed outdoor fitness equipment

Product name:	Air rotation	Rowing machine	Bicycle
Symbol:	SE119	SE135	SE139
Dimensions [mm]: L x W x H	1951 x 387 x 2608	1123 x 824 x 887	979 x 482 x 1382
Max load per user [kg]:	130	130	130
Main material:	galvanized and/or powder coated steel; plastic caps, seats; steel/rubber handles; rubber/steel foot supports		

Product visualization:



replaces: TM 62000762 006

TÜV Rheinland Polska Sp. z o.o.

ul. 17 Stycznia 56,
02-146 Warszawa, Polska
Tel.: (+48/22) 846 79 99
Tel.: (+48/22) 868 37 42
e-mail: post@pl.tuv.com



Product Certification Body

Tomasz Mańczak

Warsaw, 2016-07-22

This certificate is subjected to the Certification Regulations as well as the General Conditions of Including Transactions in TRP and refers only to the products consistent with the sample being the basis of the carried out confirmation test. This certificate alone does not entitle the holder to attach the CE marking. The validity of the certificate can be checked on www.certipedia.com



Safety
Regular
Production
Surveillance



www.tuv.com
ID 0000051557

TÜVRheinland®
Precisely Right.

www.tuv.pl

CERTIFICATE

No.: TM 62000762 017



Licence holder

Company Sporttehnika LTD
Ushinskogo 24,
14014 Chernihov
Ukraine



Manufacturing Plant

Company Sporttehnika LTD
Ushinskogo 24,
14014 Chernihov
Ukraine

Project number

26201060 001

Our reference

39036524

The period of validity

from 2016-07-22 to 2019-07-12

Scope of evaluation

EN 16630:2015

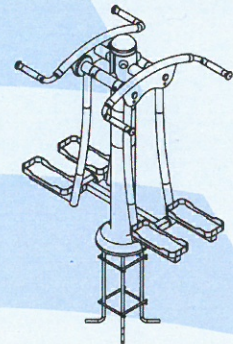
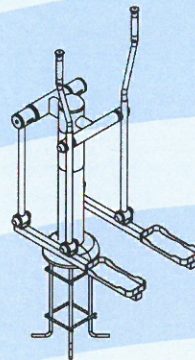
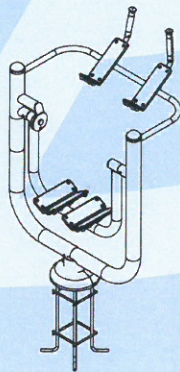
Certification program PCWU-5

Certified Product (Product Identification)

Permanently installed outdoor fitness equipment

Product name:	Abdominals training	Skiman training	Adductor - Abductor training
Symbol:	SE140	SE141-T	SE142
Dimensions [mm]: L x W x H	1083 x 815 x 1564	918 x 602 x 1517	1177 x 793 x 1358
Max load per user [kg]:	130	130	130
Main material:	galvanized and/or powder coated steel; plastic caps; rubber handles; steel foot supports		

Product visualization:



replaces: TM 62000762 007

TÜV Rheinland Polska Sp. z o.o.

ul. 17 Stycznia 56,
02-146 Warszawa, Polska
Tel.: (+48/22) 846 79 99
Tel.: (+48/22) 868 37 42
e-mail: post@pl.tuv.com



Warsaw, 2016-07-22

Product Certification Body

Tomasz Mańczak

This certificate is subjected to the Certification Regulations as well as the General Conditions of Including Transactions in TRP and refers only to the products consistent with the sample being the basis of the carried out confirmation test. This certificate alone does not entitle the holder to attach the CE marking. The validity of the certificate can be checked on www.certipedia.com



Safety
Regular
Production
Surveillance



www.tuv.com
ID 0000051557

TÜV Rheinland®
Precisely Right.

www.tuv.pl

« Eco Building Stage » SRL

R.Moldova, mun.Chisinau, str.V.Micle, 1/1
IDNO 1012600022637, Certificatul de înregistrare din 19.07.2012,
BC „VictoriaBank” SA filiala fil. Nr.20 Chisinau, cont de decontare 222452046MDL/USD/EUR,
Cod VICBMD2X463
E-mail: ecocarusel@gmail.com
Tel.+373 22 000 988
Fax. +373 22 000 188
Mob. +373 60 281 188
Administrator Gorșunova Alexandrina

Data:15.03.2019

Către Direcția
generală locativ-comunală și amenajare

Scrisoare

Compania “Eco Building Stage S.R.L.” din 2012-2019 și a format baza mare de clienți , a carui număr este trecut deja 300 , printre care:

- Direcția Asistența Socială și Protecția Familiei Basarabeasca (2 terenuri de joacă)
- Fundația Mission Without Borders-Misiunea fără Frontiere (3 terenuri de joacă)
- IM Gospodăria Locativ Comunală Balti (aproape 50 terenuri de joacă)
- Inamstro SRL (1 teren de joacă)
- MF-TT Edinet Primăria orașului Edinet (3 terenuri de joacă)
- AO Centrul Comunicare Internațională și Drepturile Omului
- Primăria satului Congaz (3 terenuri de joacă)
- Camelon-Cons SRL (Compania de construcție)
- Rodaris-Pro SRL (Compania de construcție)
- Fundația Renato Usati (6 terenuri de joacă)
- Trabo-Plus SRL (Andys Pizza) (2 terenuri de joacă)
- Direcția Educație Tineret și Sport sect. Buiucani
- Asociația Obștească pentru Orhei (3 terenuri de joacă) (Teren mare pentru complex Orheiland)
- Fundația de Binefacere DIN SUFLET (3 terenuri de joacă)
- Horus SRL (Compania de construcție) (2 terenuri de joacă)
- Miron Shor Fundația (6 terenuri de joacă)
- Primăria municipiului Orhei (7 terenuri de joacă)
- Moldova Zahar SRL
- Primăria orașului Causeni (4 terenuri de joacă)
- Fundația lui Vlad Plahotniuc Edelweiss (47 terenuri de joacă)
- Primăria orașului Cimișlia (2 terenuri de joacă)
- Ideal Construct SRL (Compania de construcție)
- Silent Agro SRL (Compania de construcție) (3 terenuri de joacă)
- Primăria orașului Nisporeni (2 terenuri de joacă)
- Rodaris Pro SRL (3 terenuri de joacă)
- A.O.Concordia Proiecte sociale (7 terenuri de joacă)
- Incomas SA
- Reconvivil SRL (Compania de construcție)
- Direcția generală locativ-comunală și amenajare mun.Chișinău (80 terenuri)





VICTORIABANK
PRIMA BANCĂ DIN MOLDOVA



Filiala nr. 17 Chişinău
Str. 31 August 1989, 64
MD-2012, mun. Chişinău
Republica Moldova
Tel.: (+373 22) 54-75-50, 54-85-73
Fax: (+373 22) 26-03-66
SWIFT: VICBMD 2X457
IDNO 1002600001338
Capital social - 250 000 910 lei
www.victoriabank.md

Nr. 77 / 262 din " 13 " ianie 2018

La Nr. _____ din " _____ " _____ 201

Secret bancar
Confidențial

CERTIFICAT

Prin prezenta BC "Victoriabank" S.A. Sucursala nr.17 Chişinău confirmă precum că,
ECO BUILDING STAGE SRL (c/f 1012600022637) deține următoarele conturi:

MD90VI000002224317643MDL – cont în lei moldovenești (MDL)

MD25VI000000002224317643 – cont în Dolari SUA (USD)

MD25VI000000002224317643 – cont în euro (EUR)

Certificatul este eliberat pentru a fi prezentat la cerere.

Contabil-șef
Malovata Inga



Ex: Zaharia Victoria
Tel. 022-54-75-41

VICTORIABANK

DECLARATIE PRIVIND PERSONALUL ANGAJAT

OFERTANT
EcoBuildingStage S.R.L.

Nr.	Funcția	Studii de specialitate	Vechimea în munca în specialitate (ani)	Numărul și denumirea lucrărilor similare executate în calitate de conducător
1	Gorșunova Alexandrina Administrator	ASEM	7	Primaria s.Ursoaia (2012) Î.M.Gospodar.Locat.Comunala mun.Balți (2012,2013,2014)
2	Teleşman Maxim Manager de vânzari	ASEM	7	Primaria c.Opaci (2013) Primaria or.Soroca (2013) Comp. de constr. ViaNatura S.R.L.(2013)
3	Gnip Timur sudor	UTM	3	Primaria s.Secareni (2013) Primaria or.Drochia(2013)
4	Gnip Tihon lucrator	UTM	3	Comp. de construct. SilentAgro (2014-2016) Primaria or.Rișcani (2014) “Misiunea Fără Frontiere Moldova” (2012-2016) etc...
5	Gavrilov Paata Manager de achiziții	-----	1	Primaria s.Congaz 2014.
6	Chiciuc Sergei sofer	-----	1	Proiecte Sociale „Concordia” 2014-2017 Primaria com.Hrusova,2015-2016
7	Sergiu Bosrci Sudor	-----	1	Primaria or.Tvardita , r-l Taraclia 2015 Primaria or.Causeni 2015
8	Stici Anton Lucrator	UTM	(4 luni)	Fundatia „Renato Usatii” 2014-2015 Fundatia „Miron Shor” 2015-2016 Priamria s.Plop-Stiubei 2015
9	Iaremciuc Valeri Lucrator		(7 luni)	Priamria s.Zaim 2014-2015 Lukoil-Moldova 2016 Primaria or.Ialoveni 2016-2017
10	Efros Grigore sofer	-----	3	Primaria s.Rascaietii,r-1 StefanVoda 2015 Primariaor.Cimislia 2016
12	Liliana Purcel Contabil	-----	7	Primaria or.Cahul 2015,2016,2017. Fundatia „Edelweiss” 2016,2017,2018,2019. Primaria or.Cupcini 2017
-	-----	-----	-----	Comp.de constr.Horus 2016,2017 Primaria c.Dolinnoe 2014-2017
				Companie de constructie „Sarco Servicii”S.A. 2016-2017
				Comp. de const.Camelon Cons- 2017 Primaria s.Valeni 2016-2017 Primaria or.Edinet 2018 Comp. de constructii Graniscon 2016-2017 Primaria s.Bozieni 2016-2017 Primaria or.Floresti 2018 Primaria or.Orhei 2017,2018,2019. Comp.de constr. VIT-CONSTRUCT 2019 Etc.....



Ofertant,

 (semnătura autorizată)

OFERTANT**Ecobuildingstage S.R.L.**

(denumirea, numele, prenumele)

DECLARAȚIE

privind dotările specifice, utilajul și echipamentul tehnic

Nr.	Denumirea principalelor utilaje, echipamente, mijloace de transport, baze de producție (ateliere, depozite, spații de cazare) și laboratoare propuse de ofertant ca necesare pentru execuția lucrării, rezultate în baza tehnologiilor pe care el urmează să le adopte	Unitatea de măsură (bucăți și seturi)	Asigurate din dotare	Asigurate de la terți sau din alte surse
	1	2	3	4
1.	Autocamion	3	propriu	2
2.	Depozit	1	propriu	1
3.	Aparat de sudura	3	propriu	2
4.	Masina de îndoire tub	2	propriu	2
5	Aparate pentru prelucrarea metalelor	2	propriu	2
6.	Aparat de cotitura	1	propriu	3
7.	Bitoniera	3	propriu	2

Data completării

"07" martie 2019

ANTREPRENOR (OFERTANT)

Ecobuildingstage S.R.L.

(semnătura)

