

DS-MI9605-Q36 Series Mobile Enforcement Video Recorder



Introduction

Mobile enforcement system adopts multiple key technology. The whole system is composed of DS-MI9605-Q36 series mobile enforcement video recorder, positioning system, manual controller, and LCD. Mobile enforcement system provides a complete solution for the traffic law enforcement, security protection, emergency commanding, and other surveillance projects. It is widely applied to the police vans, special vehicles, emergency scenes, etc.

Key Feature

- 1-ch positioning system and 4-ch network cameras.
- H.265 video compression for main stream and sub-stream.
- 1-ch HDMI and 1-ch VGA (aviation connector) simultaneous video outputs with up to 2560 × 1440 resolution.
- 6-pin aviation connectors to connect network cameras stably.
- Pluggable dummy HDD supporting two 2.5-inch HDDs/SSDs.
- Pluggable 3G/4G module and Wi-Fi module providing flexible data transmission solutions.
- Dummy HDD adopts HDD/SSD vibration damping technology.
- IR and white light illumination help to capture high quality images in dim light environment.
- Load name overlay feature records the geographical information of video evidence.
- Operate menu and control positioning system lite via single and multi-touch features.
- Power-off protection prevents key data from loss.
- Dummy HDD provides smart temperature-control module and USB data export interface.
- Built-in GPS module precisely positioning the vehicle via the satellite and recording the location information in the video stream.
- Device adopts the aviation plug design to ensure signal stability.
- Wide-range power input.
- Aluminum die-cast chassis with no-fan design well adaptable to working environment.

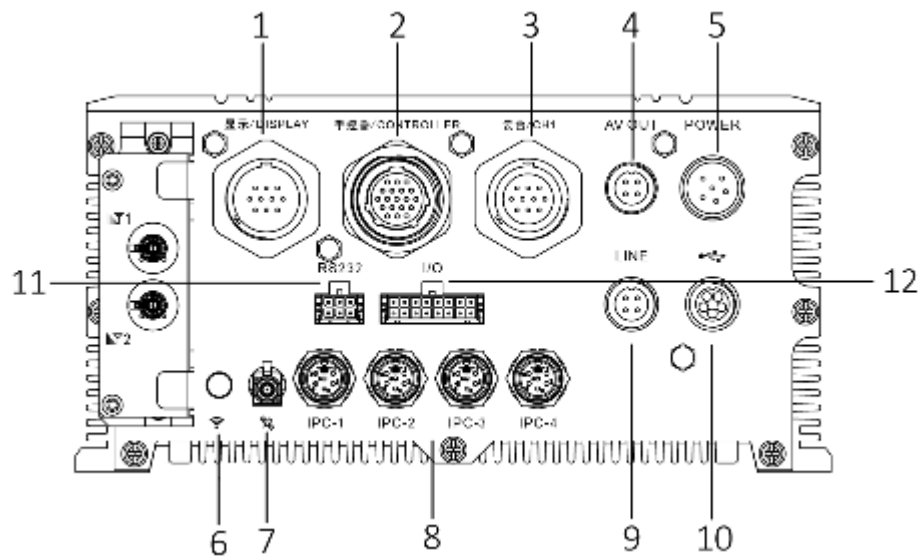
Available Model

DS-MI9605-Q36/GLF, (supports 4G dialing)

Specification

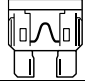
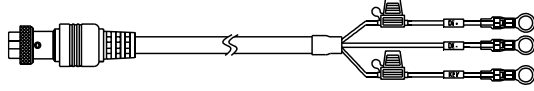
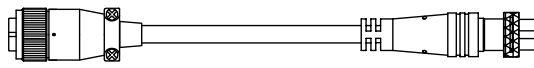
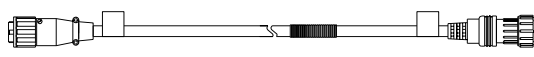
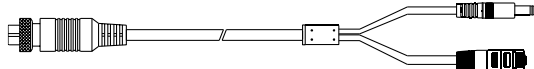

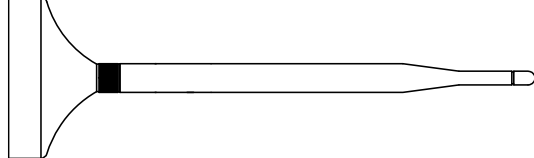
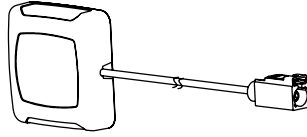

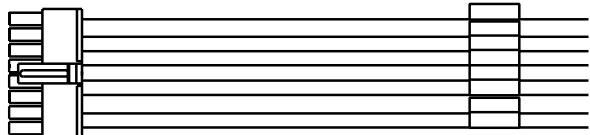
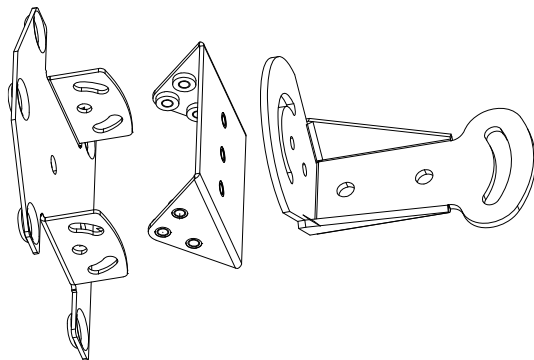
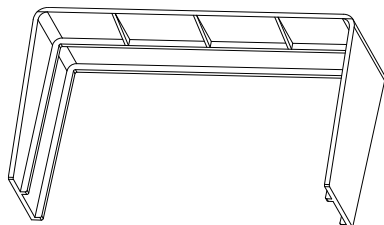
Model		DS-MI9605-Q36
Video/Audio Input	IP Camera	1 positioning system, 4 network cameras
	Two-way Audio	1 (2.0Vp-p, 1 KΩ)
Video/Audio Output	Video Output	1 × aviation CVBS output (PAL: 720 × 576, NTSC: 704 × 576) 1 × VGA signal output (10-pin aviation) (1920 × 1080, 1280 × 800, 1024 × 768) 1 × standard HDMI output (1920 × 1080, 1280 × 800, 1024 × 768)
	Audio Output	2-ch, aviation connector (linear, 600 Ω)
Encoding/Decoding Parameters	Video Compression	H.264/H.265
	Frame Rate	PAL: 1 to 25 fps; NTSC: 1 to 30 fps
	Audio Compression	G.711/G.722
	Stream Type	Video, video & audio
	Audio Bitrate	16 Kbps
	Dual Stream	Supported
Storage	HDD/SSD	2 × 2.5 inch HDD/SSD, up to 2 TB for each HDD/SSD
		A dummy HDD with USB 3.0 interface
Wireless Network	3G/4G Dialing	1 × 3G/4G card slot (extendable to 2 cards), 1 × Rosenberger antenna
	Wi-Fi	1 × 2.4 G Wi-Fi SMA antenna
Positioning	GNSS (Global Navigation Satellite System)	GPS (Global Positioning System) & GLONASS (Global Navigation Satellite System), 1 × Rosenberger antenna
External Interface	Network Interface	<ul style="list-style-type: none"> ● Front panel: 1 × 10M/100M/1000M RJ45 self-adaptive Ethernet interface ● Rear panel: 4 × 10M/100M 6-pin aviation connector (4 pins for network connection, 2 pins for 12 VDC power supply)
	Serial Port	1 × RS-232
	USB Interface	<ul style="list-style-type: none"> ● Front panel: 2 × Type-A USB 3.0 ● Rear panel: 1 × USB 2.0 of 5-pin aviation connector
	Alarm Input	8
	Alarm Output	2
	eSATA Interface	1 (reserved)
General	Operating Method	Mouse, IR remote control, Web control
	Power Supply	9 to 32 VDC
	Consumption	<ul style="list-style-type: none"> ● Standby: ≤ 0.1 W ● Full load: ≤ 80 W
	Working Temperature	<ul style="list-style-type: none"> ● Device that provides dummy HDD with heating function: -30 °C to +60 °C (-22 °F to +140 °F) ● Other devices: -10 °C to +60 °C (+14 °F to +140 °F)
	Working Humidity	10% to 95%
	Dimension (W × D × H)	202 × 252 × 87 mm (8.0 × 9.9 × 3.4 inch)
	Weight (Without Storage Media)	≤ 4.5 Kg (9.9 lb)


Physical Interface



No.	Name	No.	Name
1	LCD Interface	7	GPS antenna interface
2	Manual controller interface	8	IP camera inputs of channel 1 to 4
3	Positioning system interface	9	Two-way audio interface
4	Analog video output	10	USB 2.0 of 5-pin aviation connector
5	Power supply of 6-pin aviation connector	11	RS-232 interface
6	Wi-Fi antenna interface	12	I/O Interface, including: <ul style="list-style-type: none"> Alarm input, triggered by high/low level vehicle information input Relay signal alarm output

Packing List

Description	Quantity	Picture	Note
Fuse	2		
Power cord	1		
LCD video cable	1		
PTZ cable	1		
6-pin aviation plug-to-RJ45 cable	4		
3G/4G antenna	1		For GLF model.
Wi-Fi antenna	1		
GPS antenna	1		For model with GPS module.
Serial port line	1		
Alarm line	1		
LCD bracket	1		
Rubber shield	1		

Screwdriver	1		For GLF model.
-------------	---	-----------------------------------------------------------------------------------	----------------

iDS-TCC246-C-WGI/4M/5 Network HD IR Positioning System

Feature

- 180° image collage with 3 lens.
- 360° panoramic image coverage with 6 lens.
- 7256 x 1520 resolution for each lens.
- License plate recognition.
- Illegal parking vehicle capture.
- Face picture capture and face picture comparison.
- Motion arm and capture.

On the urban road : checkpoint, driving on the lane line, wrong-way driving, motor vehicle on non-motor vehicle lane, and dedicated lane occupation.

On the highway: checkpoint, emergency lane occupation, and lane occupation by large-sized vehicle.

- H.264/H.265.
- IOS.
- Vibration damper installed.
- 4 MP. 1/1.8" progressive scan CMOS.
- Resolution is up to 2560 x 1544.
- 23X optical zoom. Focal length: 5.9 to 135.7 mm.
- Minimum illumination: color 0.005Lux @ F1.5.
- 3D DNR.
- IR illumination helps to capture high quality images in dim light environment.

Typical Application

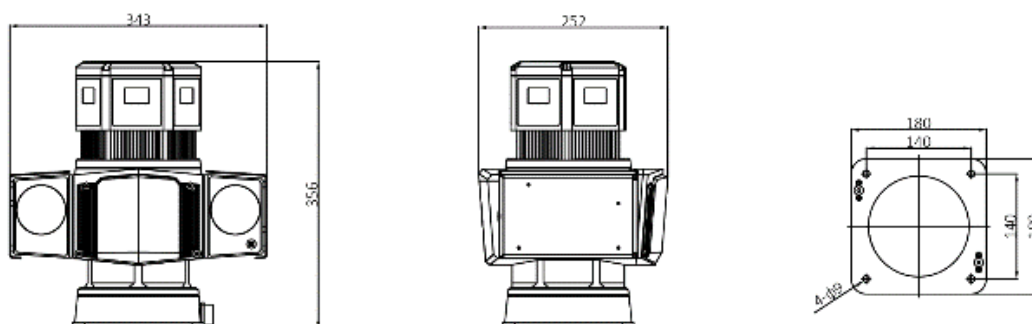
Mobile surveillance and road surveillance.

Available Model

iDS-TCC246-C-WGI/4M/5

Dimension

Unit: mm



Specification

Model	iDS-TCC246-C-WGI/4M/5
Parameters	Network HD IR Positioning System
Camera Module	
Image sensor	1/1.8" Progressive Scan CMOS
Resolution	50 Hz: 25 fps (2560 x 1544/1920 x 1080) 60 Hz: 30 fps (2560 x 1544/1920 x 1080)
Min. illuminate	Color: 0.005Lux @ (F1.5, AGC ON)
S/N ratio	> 52 dB
Focal length	5.9 to 135.7 mm, 23× optical
Aperture range	F1.5 to F3.4
Horizontal field of view	59.8-3.0° (wide-tele)
Working Distance	10 mm to 1500 mm (wide-tele)
Zoom speed	Approx. 4.8 s (optical lens, wide-tele)
Focus mode	Auto/Semi-automatic/Manual
Digital shutter	1/1 s to 1/30,000 s
White balance	Auto 1/Auto 2/Manual/Indoor/Outdoor/Fluorescent Lamp/Sodium Lamp
DNR	3D DNR
WDR	On/off
Image adjusting	Brightness, contrast, sharpness, saturation
Digital zoom	16
Panorama	
Focal length	5 mm
Image sensor	6 x 1/1.8" Progressive Scan CMOS
Single lens resolution	2688 x 1520
Collage resolution	7256 x 1520
Network	
Video compression	H.264/H.265
Bitrate	32 Kbps-12 Mbps
Network protocol	TCP/IP, HTTP, DHCP, DNS, DDNS, RTP, RTSP, SMTP, NTP, UPnP, SNMP, FTP, 802.1x, QoS, HTTPS
Security strategy	Password protection, multi-user access control
Pan and Tilt	
Preset speed (pan)	100°/s
Preset speed (tilt)	80°/s
Pan speed	0° to 60°/s
Tilt speed	0° to 40°/s
Movement Range (pan)	360° endless
Movement Range (tilt)	-90° to +90°
Pattern	8
Preset	256
RS-485	Pelco-D/Pelco-P/Hikvision
General	
Communication interface	1 RJ45 10/100/1000M network interface. Supports remote upgrade.
Power supply	8 to 36 VDC, 4.2 A
Working temperature	-35 °C to 65 °C (-31 °F to 149 °F)
Working humidity	≤ 90%
Ingress Protection	IP66
Consumption	Max. < 50 W
Shock resistance	≥ 4 G
Weight	9 kg (19.8 lb.)

DS-1010K Manual Controller

Feature

- Control enforcement system.
- Control positioning system.
- Power lock.
- Joystick design.
- Buttons with backlight.
- Vibration damping design.



Specification

Typical Application

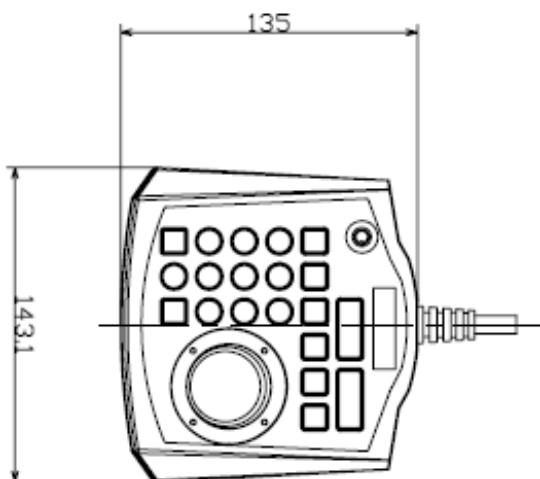
Mobile environment

Available Model

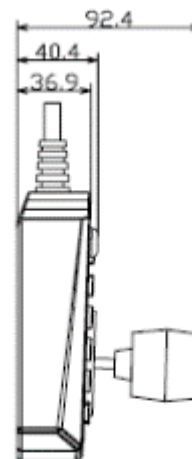
DS-1010K

Dimension

Unit: mm



Model	DS-1010K Series Manual Controller
Dimension (W × D × H)	143 × 135 × 40.4 mm (5.6 × 5.3 × 1.6 inch)
Weight	≤ 0.5 kg (1.1 lb)
Consumption	≤ 2 W
Switch	1 metal power lock
Button	20 physical buttons
Interface	1 RS-485 interface
Power Supply	12 VDC
Working Temperature	-20 °C to +60 °C (-4 °F to +140 °F)
Working Humidity	10% to 95%



DS-MP1308 7-inch HD LCD

Feature

- 7-inch LCD. LED backlight.
- High definition.
- Touchscreen.
- Display enforcement system image and GUI.
- Aviation plug design.
- TFT material.



Typical Application

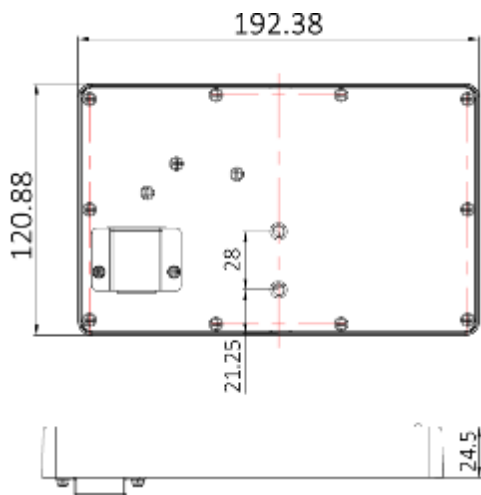
Mobile environment

Available Model

DS-MP1308

Dimension

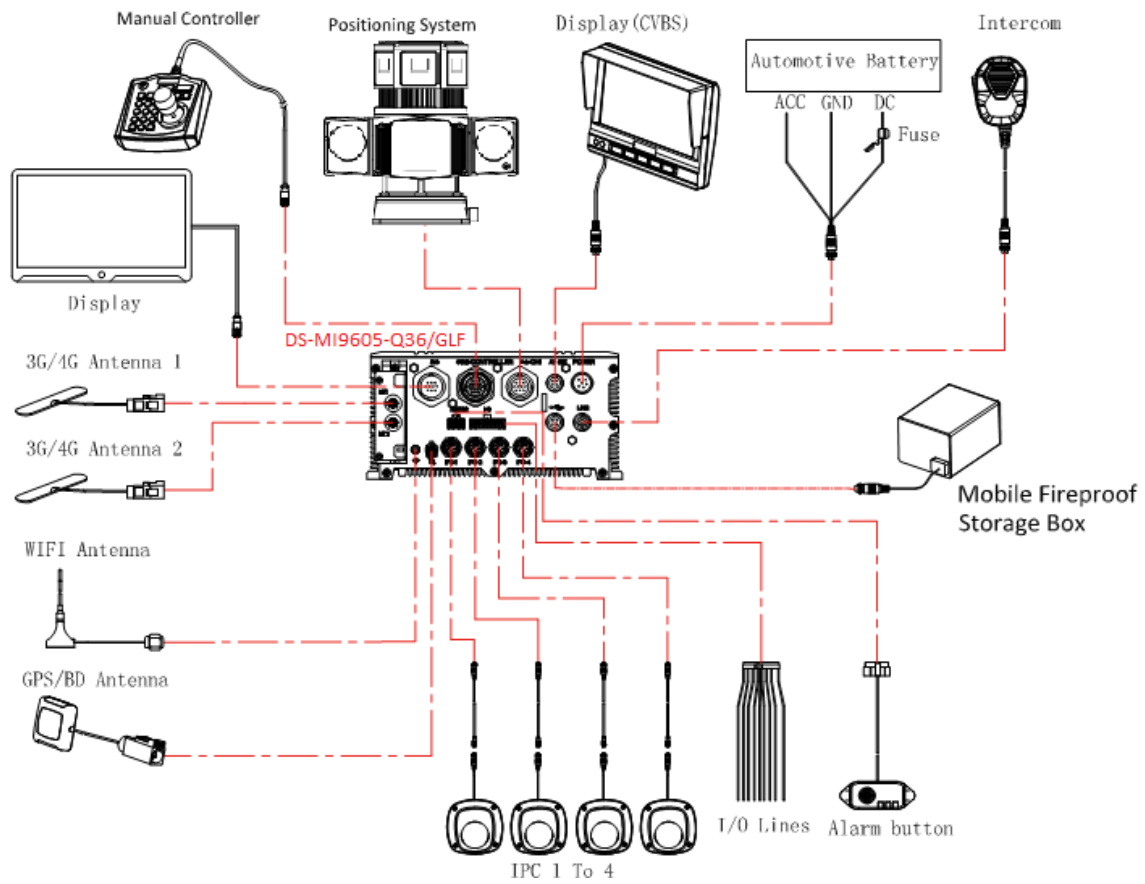
Unit: mm



Specification

Model	DS-MP1308 7-inch HD LCD
Resolution	1280 × 800 RGB
Material	TFT
Backlight Mode	LED backlight
Screen Size	7-inch
Consumption	≤ 5 W
Weight	≤ 0.6 kg (1.3 lb)
Working Voltage	12 V
Working Temperature	-20 °C to +60 °C (-4 °F to +140 °F)
Working Humidity	10% to 95%
Touchscreen	Supported. Multi-touch

Peripheral Connection



Headquarters

No.555 Qianmo Road, Binjiang District,
Hangzhou 310051, China
T +86-571-8807-5998
www.hikvision.com



Follow us on social media to get the latest product and solution information.

