

Fans for wall application

GALE



Axial low-pressure fans in steel black polymer-coated casing.

Designed for supply-exhaust ventilation systems and for cooling compression-condensation units.

Works in supply or exhaust mode depending on how it is mounted into the ventilation system.

Induction ball-bearing motors are protected from overheating.

GALE can be equipped with a bipolar or quadrupole induction motor. Configuration depends on the fan size. 200, 250, 300 mm diameter models are equipped with a bipolar motor. 350, 400, 450 mm diameter models are equipped with a quadrupole motor.

Mounted to wall and ceiling surfaces with special square mounting panel (flange).

Equipped with a flange for easy mounting into air ducts of the corresponding size.

IPX4 Ingress protection rating for electrical equipment.



Steel



Ball-bearing motor

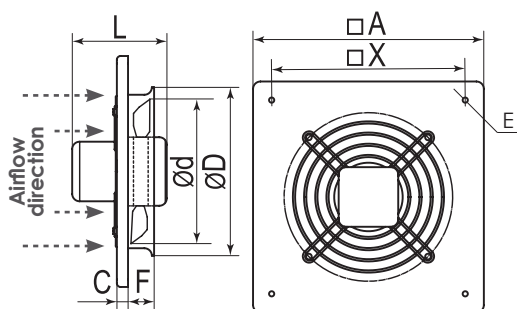


Warranty



Cutout overheating protection

Overall dimensions



Item code	A	X	L	C	F	ØD	Ød	E
GALE 200	310	260	125	15	35	228	200	7
GALE 250	370	320	135	15	35	278	250	7
GALE 300	430	380	145	15	48	335	300	10
GALE 350	485	435	165	15	50	385	350	10
GALE 400	540	490	185	15	63	430	400	10
GALE 450	575	520	195	15	70	480	450	10

Technical specifications

Specifications	GALE					
	200	250	300	350	400	450
Power consumption, W	62	120	162	150	235	315
Capacity, m ³ /h	890	1100	2300	2600	3830	4800
Pressure, Pa	110	120	115	120	130	120
Noise level, dB(A)	50	60	61	62	63	64
Current consumption, A	0,25	0,36	0,66	0,61	0,82	1,14
Rotation frequency, RPM	2550	2480	2350	1400	1400	1300

Performance curve

