



## Digital Micrometer IP65

Item number: 293-232-30

**Images**





Dust- and  
Water-  
Protected

www.tuv.com  
ID 0000040191

## Description

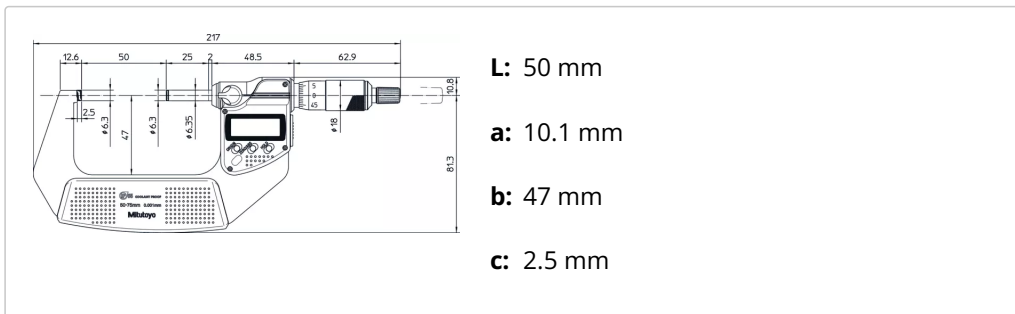
A Mitutoyo waterproof digital micrometer suitable for use in the presence of coolant or cutting oil. The highly stable frame incorporates a heat shield to preserve accuracy over extended measuring sessions. A ratchet thimble guarantees repeatable measurement. Digimatic data output.

## Features

|                                      |  |
|--------------------------------------|--|
| <b>Model:</b>                        | MDC-75MX   |
| <b>Digital/Analog:</b>               | Digital  |
| <b>Delivered:</b>                    | Including box, spanner, SR44 battery, setting standard |
| <b>Inch-Metric:</b>                  | Metric   |
| <b>Range:</b>                        | 50 - 75 mm   |
| <b>Digital step:</b>                 | 0.001 mm   |
| <b>Max. Permissible Error J MPE:</b> | $\pm 2 \mu\text{m}$                                    |
| <b>Flatness:</b>                     | $0.3 \mu\text{m}$                                      |
| <b>Parallelism:</b>                  | $2 \mu\text{m}$  |
| <b>Data output:</b>                  | Yes  |
| <b>Display:</b>                      | LCD, character height 7.5 mm                           |

|  |  |
|--|--|
| <b>Measuring face:</b>                       | Carbide-tipped, micro-lap finish                                       |
| <b>Measuring spindle:</b>                    | With spindle lock, $\varnothing 6.35$ mm, spindle pitch 0.5 mm         |
| <b>Scale:</b>                                | Thimble and sleeve satin chrome finish, $\varnothing 18$ mm            |
| <b>Measuring force:</b>                      | 5 - 10 N   |
| <b>Power supply:</b>                         | 1 battery SR-44  |
| <b>Battery life:</b>                         | Approx. 2.4 years for models $\leq 100$ mm<br>1.2 years for $> 100$ mm |
| <b>ABS / INC (INC ZERO):</b>                 | Yes  |
| <b>Auto Power OFF after 20 min. non use:</b> | Yes  |
| <b>Low voltage alarm:</b>                    | Yes  |
| <b>Function lock:</b>                        | Yes  |
| <b>HOLD:</b>                                 | Yes  |
| <b>2 x PRESET (over 100 mm):</b>             | Yes  |
| <b>Mass:</b>                                 | 470 g  |

## Dimensions



## Accessories

Proposed additional product:

---



**Digimatic Cable with Data Button IP Type**

1m, Micrometer Type  
Art No. 05CZA662  
Suggested retail price: 105.00 €\*  

---



**Digimatic Cable with Data Button IP Type**

2m, Micrometer Type  
Art No. 05CZA663  
Suggested retail price: 107.00 €\*  

---



### USB Input Tool Direct (Digimatic to USB)

2m Cable, Digimatic/Digimatic 2, with Data  
Button IP Micrometer Type  
Art No. 06AFM380B  
Suggested retail price: **141.00 €\***



### U-WAVE fit, IP67 Type

Wireless Transmitter for  
Micrometer/Indicator  
Art No. 264-622  
Suggested retail price: **185.00 €\***



### U-WAVE fit, Buzzer Type

Wireless Transmitter for  
Micrometer/Indicator  
Art No. 264-623  
Suggested retail price: **185.00 €\***



### Connection Unit for IP Caliper, Micrometer

with Data Button for U-WAVE fit, U-WAVE fit  
Bluetooth

Art No. 02AZF310

Suggested retail price: 110.00 €\*

SHOW LESS

#### Optional accessories:



### Digimatic Cable with Data Button IP Type

1m, Micrometer Type

Art No. 05CZA662

Suggested retail price: 105.00 €\*



### Digimatic Cable with Data Button IP Type

2m, Micrometer Type  
Art No. 05CZA663  
Suggested retail price: 107.00 €\*



### USB Input Tool Direct (Digimatic to USB)

2m Cable, Digimatic/Digimatic 2, with Data Button IP Micrometer Type  
Art No. 06AFM380B  
Suggested retail price: 141.00 €\*



### U-WAVE fit, IP67 Type

Wireless Transmitter for Micrometer/Indicator  
Art No. 264-622  
Suggested retail price: 185.00 €\*





### U-WAVE fit, Buzzer Type

Wireless Transmitter for  
Micrometer/Indicator

Art No. 264-623

Suggested retail price: 185.00 €\*



### U-WAVE fit Bluetooth, IP67 Type

Wireless Transmitter for  
Micrometer/Indicator

Art No. 264-626

Suggested retail price: 185.00 €\*



### U-WAVE fit Bluetooth, Buzzer Type

Wireless Transmitter for  
Micrometer/Indicator

Art No. 264-627

Suggested retail price: 185.00 €\*



### Connection Unit for IP Caliper, Micrometer

with Data Button for U-WAVE fit, U-WAVE fit  
Bluetooth

Art No. 02AZF310

Suggested retail price: 110.00 €\*



### Micrometer Stand, Adjustable Angle Type

for Micrometer 0-100mm/0-4"

Art No. 156-101-10

Suggested retail price: 70.00 €\*

SHOW LESS

Standard accessories:

### Micrometer Setting Standard



Length: 50mm  
Art No. 167-102  
Suggested retail price: 36.00 €\*  

---

### Spare parts

Consumable spares:

---



### Battery SR44 1,5 V

Art No. 938882  
Suggested retail price: 10.00 €\*  

---