

ÇUKUROVA

Makina İmalat ve Ticaret A.Ş.



885 XG

BACKHOE LOADER



**SUPER
HERO!**



5
YEARS
STRUCTURAL INTEGRITY
WARRANTY

2
YEARS
POWERTRAIN GROUP
WARRANTY

POWER



FEATURES



Engine

Powering it with PERKINS turbocharged diesel engine which offers world-class performance and complies with all relevant environmental regulations.

Optimum Weight Distribution

The new generation Cukurova Backhoe Loaders are designed to have Optimum Weight Distribution giving safe, stable steering on the road and provides a solid digging platform.

Improved Performance

CUKUROVA Backhoe Loaders are the ideal combination of concentrated power, safety and extreme user-friendliness. Ergonomically located, control levers are within easy reach of the operator, provides operating comfort and increase productivity. Cukurova was one of the pioneers in using new generation control system for backhoe loaders. This system of hydraulic operated joystick controls, is used in 885XG model for both backhoe and loader model enable operators to spend less effort with much greater precision of movement during the work process. This system provides better control-ability, maintains motion under any load, takes the strain from the operator; increases oil life and reduces oil reservoir temperature.



FEATURES



Roomy Rops / Fops Cab

- Specially designed ergonomic 6 post ROPS/FOPS cab provides perfect operating comfort, excellent visibility, and reliability.
- Full-opening of light rear side windows, partial and full-opening of the doors provide superior fresh air circulation in the cab, tinted safety glass and rear view mirrors improves visibility and sun visor protects operator against strong sunlight and ensures clear vision.
- Front and side control panels are fully equipped with the latest user friendly technology, the arrangement of controls are within easy reach, the audible and visual warning on main function guide operator for failure and adjustable steering column as standard gives extra driving comfort to the operator.
- Cooling box located to left hand trim. All relay and fuses located one location for easy serviceability. Insulated, metal-reinforced thick floor mat. Powerful HVAC unit supported with air duct.
- Folding and ergonomic steps with full-length handles provide easy and secure access to the cabin. Partially opening doors for operator comfort.
- Phone pocket, USB charger, power socket, and beacon lamp holder located on the right console, two cup holders located on the left console and storage pockets located on the front console to ease of use for the operator



FEATURES



Seat

Easy swivel adjustment by locking in two position (front and rear) without holding the lever.

- New seat bracket
- With larger front and rear sliding stroke
- Low backrest for better visibility
- Mechanical suspension
- Backrest support
- Headrest
- Weight and height adjustment
- Adjustable armrest



Front Display



Combined Display Panel

Combined panel of gauges and lights, black&grey background with symbols integrated.

- TFT Display
- USB Charger and Power Socket
- High IP protection against water and dust

Automatic return to dig system

The 885XG provides you with automatic return to dig system as standard to get max efficiency with reduced cycle times by leveling the loader bucket back to dig position with a push of loader joystick.

Knob - Loader with switches:

- 6 in 1/Combo bucket switch
- Differential lock
- Transmission disengage

Side Display



FEATURES



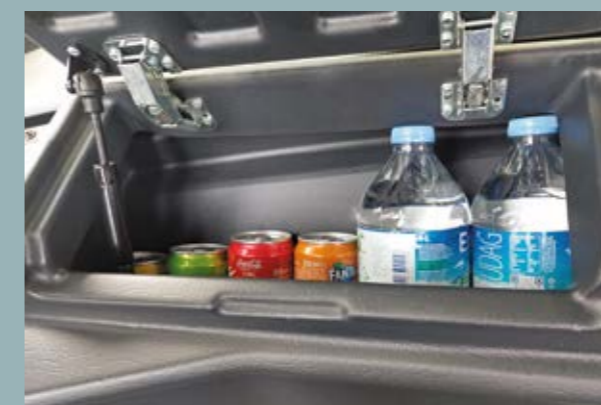
BACKHOE JOYSTICK CONTROL

For Backhoe Loader, CUKUROVA 885XG offers an extra operating comfort by assembling the hydraulic joysticks on separately adjustable backhoe joystick columns placed at the right-left side of the cab. This innovation surpasses the operator's expectations by allowing him to place the stands in the working position and still take up extra space in the cab. In this way, all the tools are close at hand and work is more ergonomic.



Cool Box

Keeps beverages at the current temperature and cools them if machine equipped with AC.



Serviceability

Three-pieces engine hood

Aerodynamic hood design provides operator to access all the necessary maintenance points easily and quickly thus spending less time and effort.



TECHNICAL SPECIFICATIONS



Engine

- Heavy duty desing, high torque capability, powerful PERKINS engine.
- Low rpm torque ensures a stable machine response.
- ECC filtration system provides high quality construction with a re-usable canister, a disposable inner element and a simpler service process.
- Low fuel consumption and low maintenance cost.
- Environmentally friendly to use.
- Dry type air cleaner with primary and safety elements.



Engine		
Make	Perkins	
	Stage II	Stage V
Model	1104C-44T	904J-E36TA
Type	4 stroke diesel, turbo charged	
Rated Power	100hp/74,5 kW	
Rated Speed	2200rpm	
Displacement	4,4 L.	3,6 L.
Bore and Stroke	105x127 mm	98*120 mm
No of Cylinders	4	
Max. Torque	408 Nm	430 Nm
Cooling	Water cooled engine oil radiator.	
System Type	Closed Center	
Hydraulic Pump	Axial Piston Pump	
Max. Flow	156 l/min	
Max. Press.	235 bar	
Hydraulic oil filter	Full flow filer in return and suction line with integrated fine filter area	
Hydraulic oil cooler	Hydraulic and transmission oil cooler	



TECHNICAL SPECIFICATIONS



Turning Circle(without brakes)	4x4 Mod
Outer Front Tire Clearance	10800 mm
Outer Loader Bucket Clearance	13900 mm

Hydraulic System	
Backhoe Controls	Hydraulic Joystick Controls
Loader control	Hydraulic Joystick Controls

Hydraulic Control System

- Threaded head type cylinder design with all sealed pins and bushings for easy maintenance and long life
- Cushioned swing, boom and stick cylinders provides maximum operator comfort for fast and smooth trenching

Axes:

Front Axle

- Ease of operation with hydrostatic steering system even under high load conditions.
- 16° total oscillation on front axle.
- 55°degrees steering angle for perfect maneuverability.

Rear Axle

- High input torque with outboard planetary design.
- Electro-hydraulic operated differential %100 locking acts on rear axle
- Self adjusting high torque internal wet multi disc service brake.



Electrical System	Stage II	Stage V
Starter	3,2 kW	4,0 kW
Electrical	12 / 120 V /Ah	

Drive Train

- 4 Wheel drive
- Low noise and low internal speeds.

Make	Carraro
Type	Servo Power Synchro (Autoshift)
Transmission disconnect	With push button and brake system
Travel Speeds	
1st (foward/reverse)	5,97 / 5,97 km/h
2nd (foward reverse)	9,55 / 9,55 km/h
3rd (foward/reverse)	21,29 / 21,29 km/h
4th (foward/reverse) Carraro	40,00 / 40,00 km/h



TECHNICAL SPECIFICATIONS



Steering:

- Hydrostatic power steering.
- Load sensing system.

Brakes:

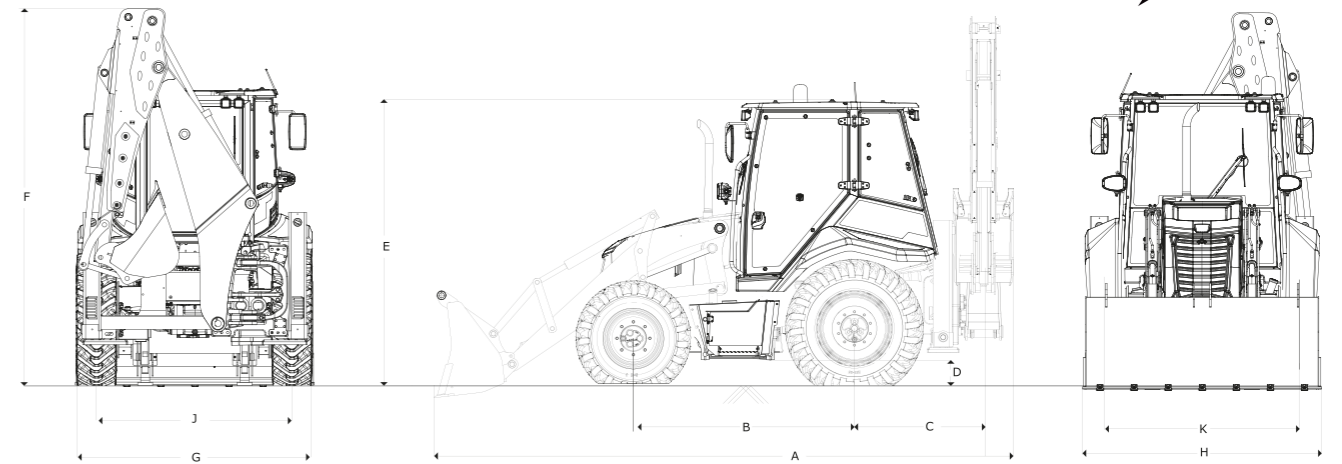
- Hydraulically foot operated service brake two pedals acted on four wheels.

Tyres	
Front	16,0 / 70-20
Rear	16,9-28
Loader Attachment	
Shovel Capacity	1,1/1,0 m ³
Breakout Force Lift	56,1 kN
Breakout Force Shovel	81,6 kN
Shovel Width	2400 mm or 2280 mm
Lift to full height	3178 kg
Backhoe Attachment	
Max. Bucket Breakout	63,9 kN
Retracted Dipper Breakout	30,54 kN
Extended Dipper Breakout	22,61 kN

Brakes	
Service Type	Hydraulic Wet Multi-disc
Parking Type	Mechanical control on rear axle
Weights	
Operating Weight	(with full options) 8960 kg
Capacities	
Engine Oil	Stage V/11,6 - Stage II/8,4
Transmission Oil	19
Cooling System	25,0
Fuel Tank	164,0
Hydraulic Tank	75,0
Hydraulic System	130,0
Front Axle	9,11
Rear Axle	19,9
Adblue (Stage V)	19



TECHNICAL SPECIFICATIONS

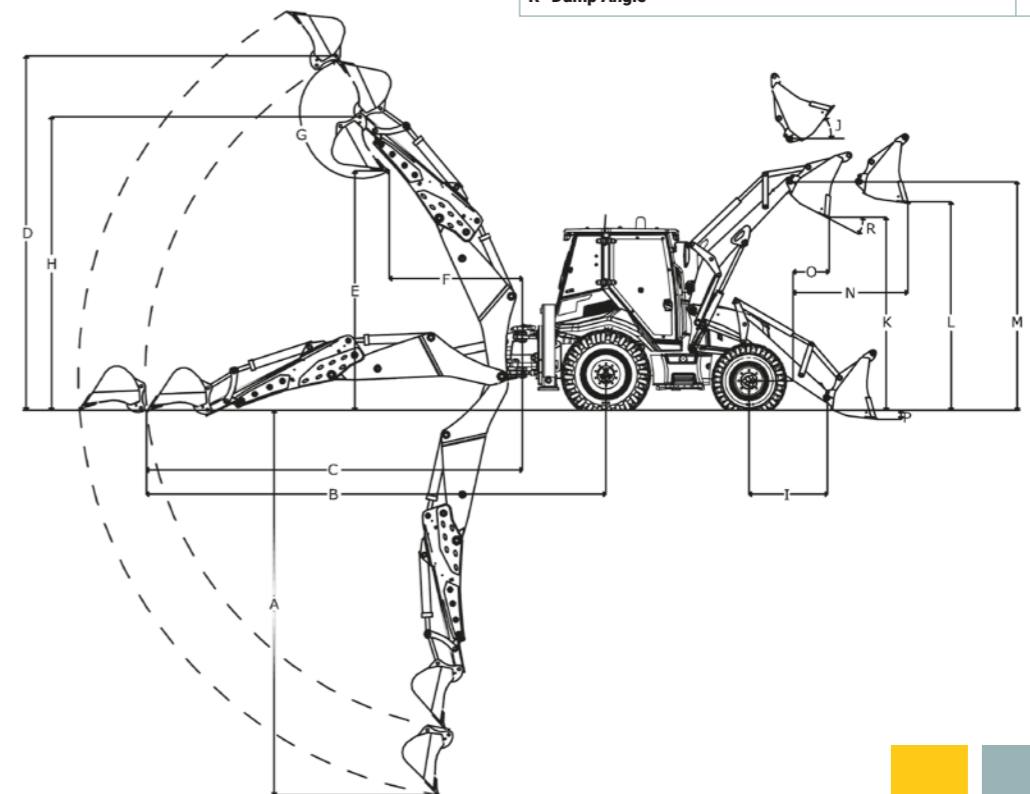


A- Overall Machine Length	6100 mm
B- Wheelbase	2175 mm
C- Backhoe Swing Centre Distance	1310 mm
D- Minimum Machine Height	400 mm
E- Cab Height	2900 mm

F- Machine Maximum Height	3900 mm
G- Machine Maximum Width	2400 mm
H- Overall Width - with Bucket	2400 mm
J- Rear Wheel Track	1770 mm
K- Front Wheel Track	1940 mm

Backhoe Dimensions	Retracted	Extended
A- Max. Digging Depth	4600 mm	5800 mm
B- Max. Reach From Rear Axle Center	7000 mm	8100 mm
C- Max. Reach From Swing Center	5700 mm	6800 mm
D- Max. Digging Height	5600 mm	6450 mm
E- Max. Dumping Height	3850 mm	4700 mm
F- Loading Reach	1800 mm	2650 mm
G- Bucket Rotation Angle	200,4°	200,4°
H- Max Bucket Hinge pin Height	4750 mm	5550 mm

Loader Dimensions	
I- Distance Between Hinge Pin and Front Axle Center	1460 mm
J- Max. Rollback Angle, Fully Raised	59,2°
K- Dump Height	2950 mm
L - Loadover Height	3370 mm
M- Height to Hinge Pin	3670 mm
N- Max. Reach at Full Height	1125 mm
O- Dumping Reach	685 mm
P- Digging Depth	113 mm
R- Dump Angle	45°



OPTIONAL ATTACHMENTS



BACKHOE ATTACHMENTS



Quick Coupler



Excavator Buckets - General Purpose



Excavator Buckets - Heavy Duty



Ditch Maintenance Bucket



Tapered Ditch Buckets



Grading Buckets



Jaw Buckets



Swinger Buckets



Hydraulic Hammer



Ripper Tooth



Augers



Poly Grabs

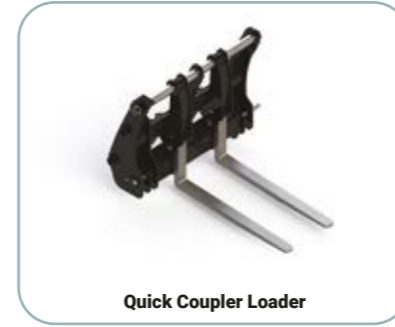


Skelton Buckets - For Rocks

OPTIONAL ATTACHMENTS



LOADER ATTACHMENTS



Quick Coupler Loader



General Purpose Buckets



Multipurpose Buckets



Fork With Grabs



Skeleton Buckets For Rocks



Concrete Mixer Buckets



Side Dump Buckets



Sweepers



Sweepers



Haypick Bale



Silage Bale Clamps



Recycling Grap



Tree Spades



Rotor on Flame



Forklift Forks and Side Shifter



STANDARD / OPTIONAL EQUIPMENT



Engine System

- Air cleaner, dry type and radial seal
- Air filter condition indicator lamp
- Glow plug
- Turbocharged

Electrical System

- Battery, 12 V, 120 Ah
- 2 Front headlights, 4 front 4 rear working lights
- Master switch
- Visual and audible warning systems on main functions
- Warning horn
- Backup warning alarm

Drive Train

- Electro-hydraulic differential %100 lock
- 4 WD
- Max 40 km/h speed

ROPS/FOPS Cab

- Adjustable seat with seat belt and armrest
- Adjustable steering column
- Cab recirculating fan
- Power socket
- Front windshield washer and wiper
- Left-right side doors with locks
- Mirrors, exterior (2), interior (1)
- Rear windshield washer and wiper
- Magnetic rotating beacon (detachable)
- Steering wheel spinner knob
- Sunvisor
- Radio, Bluetooth, USB music system
- Tinted glass
- Cooling box
- Tool box
- Cabin air filters
- USB charger

Attachments, Front Loader

- General purpose bucket
- Loader arm safety strut

Attachments, Backhoe

- Electro-hydraulic side shifting lock
- ISO pattern controls
- Swing and Boom transport lock with mechanical control from the cab
- Standard-duty bucket(600mm)
- Stabilizer safety check valves

Optional Equipment Attachments, Front Loader

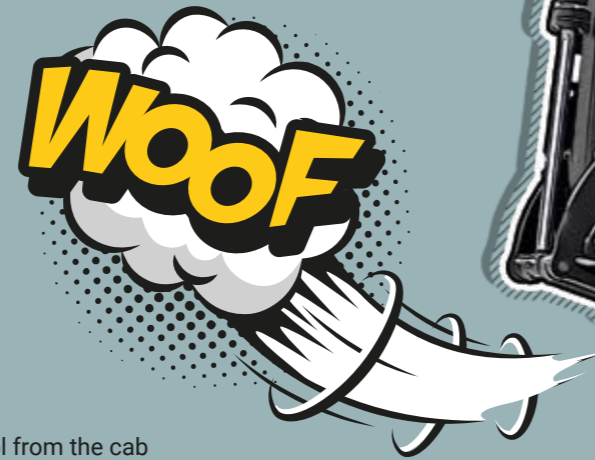
- Bolton segment
- (EHSS) Electro Hydraulic Suspensions System
- Fork attachment
- Loader Quick Coupler
- Multipurpose bucket
- Hose Burst Valves
- Snow Plough Attachments

Optional Equipment Attachments, Backhoe

- Auger
- Backhoe quick coupler
- Compactor
- Different size of backhoe buckets
- Grading bucket
- Grapple
- Hydraulic hammer piping
- Hydraulic hammer
- Hose burst valves
- Trapezoidal Bucket
- Telescopic boom

Other Optional Equipments

- Air condition
- Fuel Pre-Heater



ÇUKUROVA

Makina İmalat ve Ticaret A.Ş.



Çukurova Makina İmalat ve Ticaret A.Ş.
Şahin Mh. Sait Polat Blv. 322 / A 33470 Tarsus / Mersin / TÜRKİYE



+90 324 616 26 78



info@cumitas.com - www.cumitas.com