

Performance C Series

Power Supplies XP400R6 / **XP500R6** / XP600R6 / XP700R6

The new Xilence Performance C series is focusing on the essentials. Designed for office and home computers, the new Performance C series delivers stable voltages with high efficiency (ErP2014). This guarantees a considerably low fan noise. Four built-in safety circuits ensure safe operation at all times.

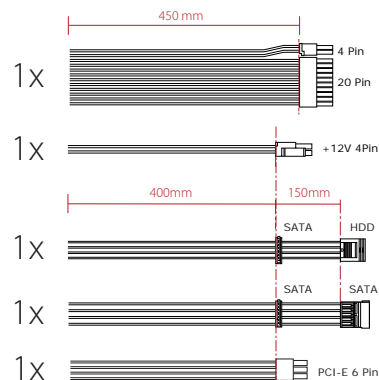


Product Features

- extremely silent cooling: large 120mm fan
- excellent air flow design for a better heat dissipation
- following safety design:
 - OVP (Over Voltage Protection)
 - UVP (Under Voltage Protection)
 - SCP (Short Circuit Protection)
 - OLP (Over Load Protection)
- low stand-by consumption
- complies with ErP2014 norm
- active-PFC

Technical Data | XP400R6

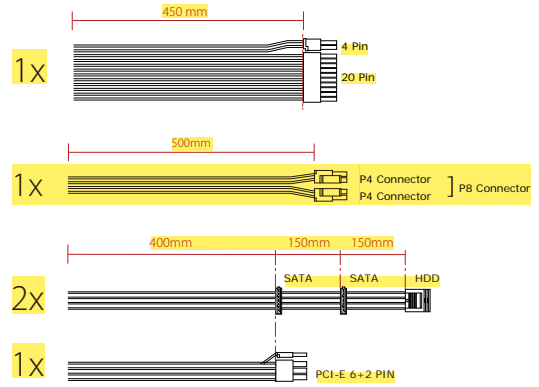
	AC INPUT	DC OUTPUT
XP400R6	200V - 240V	+ 3.3V 15.0A
		+ 5.0V 12.0A
		+ 12.0V 13.0A
		+ 12.0V2 13.0A
		- 12.0V 0.3A
		+ 5.0VSB 2.5A
Efficiencies		
		20% > 82,64%
		50% > 85,43%
		100% > 82,55%
		300W continuous
		400W Peak Power



Performance C Series

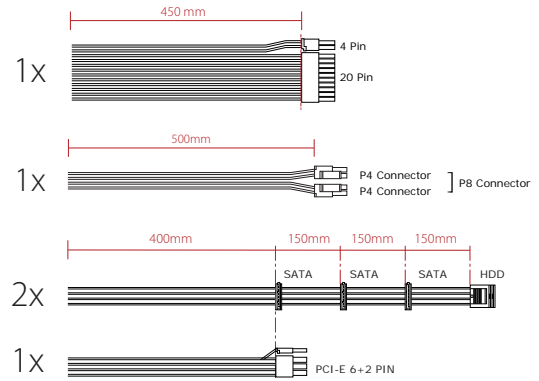
Technical Data | XP500R6

	AC INPUT	DC OUTPUT
XP500R6	200V - 240V	+ 3.3V 15.0A
		+ 5.0V 12.0A
		+ 12.0V 15.0A
		+ 12.0V2 15.0A
		- 12.0V 0.3A
		+ 5.0VSB 2.5A
Efficiencies		10% > 81,70%
		20% > 85,38%
		50% > 85,82%
		100% > 82,67%
		350W continuous
		500W Peak Power



Technical Data | XP600R6

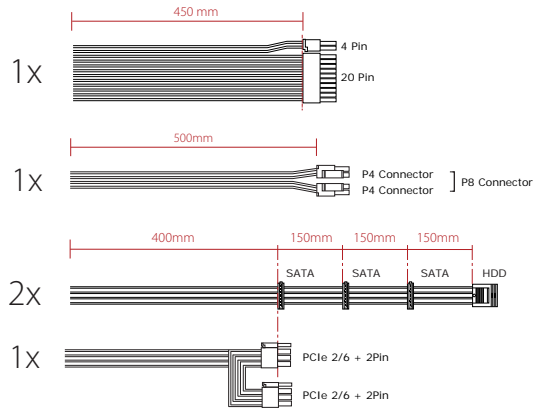
	AC INPUT	DC OUTPUT
XP600R6	200V - 240V	+ 3.3V 15.0A
		+ 5.0V 15.0A
		+ 12.0V 18.0A
		+ 12.0V2 20.0A
		- 12.0V 0.3A
		+ 5.0VSB 2.5A
Efficiencies		10% > 82,09%
		20% > 85,81%
		50% > 86,11%
		100% > 82,49%
		450W continuous
		600W Peak Power



Performance C Series

Technical Data | XP700R6

	AC INPUT	DC OUTPUT
XP700R6	200V - 240V	+ 3.3V 18.0A
		+ 5.0V 15.0A
		+ 12.0V 30.0A
		+ 12.0V2 30.0A
		- 12.0V 0.3A
		+ 5.0VSB 3.0A
Efficiencies		10% > 83,87%
		20% > 86,96%
		50% > 86,90%
		100% > 83,24%
		550W continuous
		700W Peak Power



Logistical Data

Manufacturer Number	XP400R6	XP500R6	XP600R6	XP700R6
Item Number	XN041	XN042	XN044	XN046
EAN Barcode	4044953500213	4044953500220	4044953500237	4044953500541