



Product Features

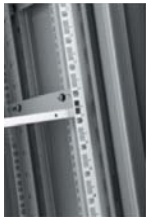
- 1.Elegant appearance, a new design of the server rack embodies the ability of management the server more
- 2.Good compatibility , can adapt to more servers, perfect ventilation design
- 3.Single side door or upper and lower parts side door optional
- 4.Side door lock optional
- 5.Several cabinet entries at the top and bottom could be closed, size of the large hole at the bottom adjustable
- 6.Conveniently detachable side doors, front and back door, to operate all-round, observe multidirectional
- 7.Optional mounting chassis, achieve requirements of fixing the cabinets, cable entry at the bottom, cold wind blowing and ratproofing
- 8.Efficient and firm cabinet combine way
- 9.The wheel and supporting feet can be installed at the same time, firm structure, the maximum static loading 800KG
- 10.Earthing screw in the cabinet
- 11.Front and back adjustable columns, U Markings on Columns

Surface Treatment

Degreasing, pickling, Phosphorescence, Ablution, Powder Coating

Product Description

NP is a high performance rack cabinet. It plays a vital role in the equipment room and office. It has cold rolled steel sheet frame, side door, top and back door, front tempered glass door. Side door can be locked. A pair of adjustable columns make it fit for different depth (600mm/800mm and 1000mm) equipment. The 19 inch electricity and information system design used for different equipment. It is applied in the financial, securities, data center, etc. machine room, specially designed for the server, which can provide good performance and stable equipment working environment.et.



Column with Umarkings

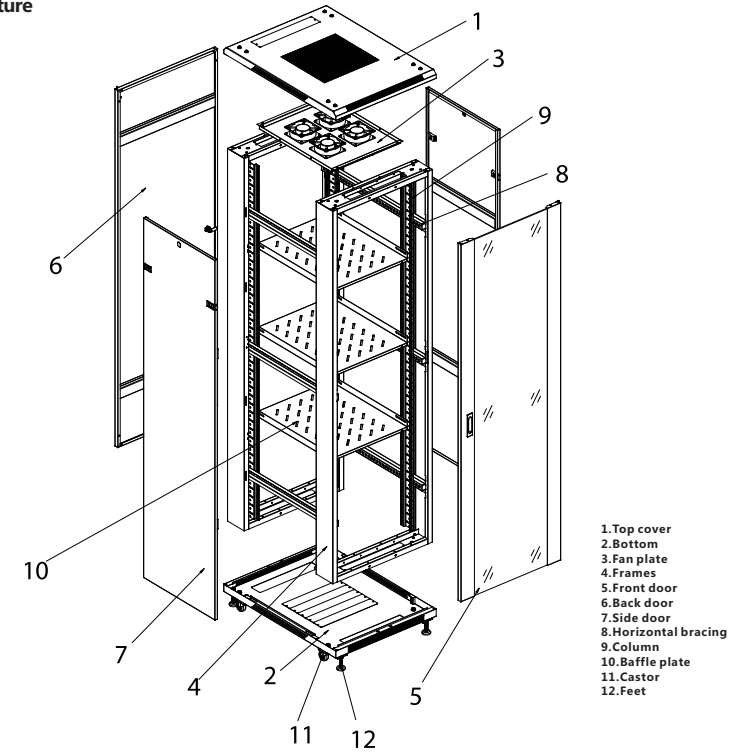


Earthing screw



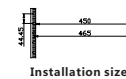
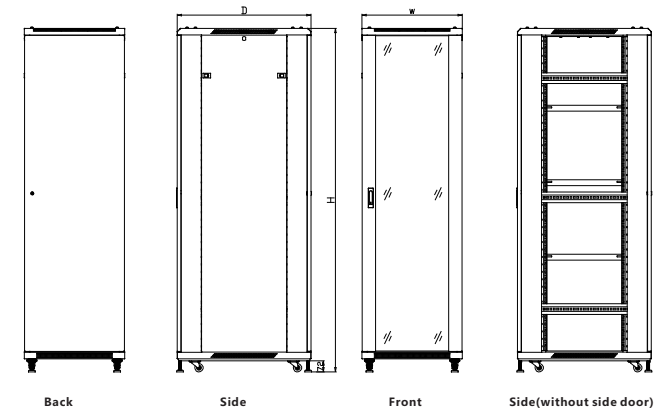
Top fan

Main Structure

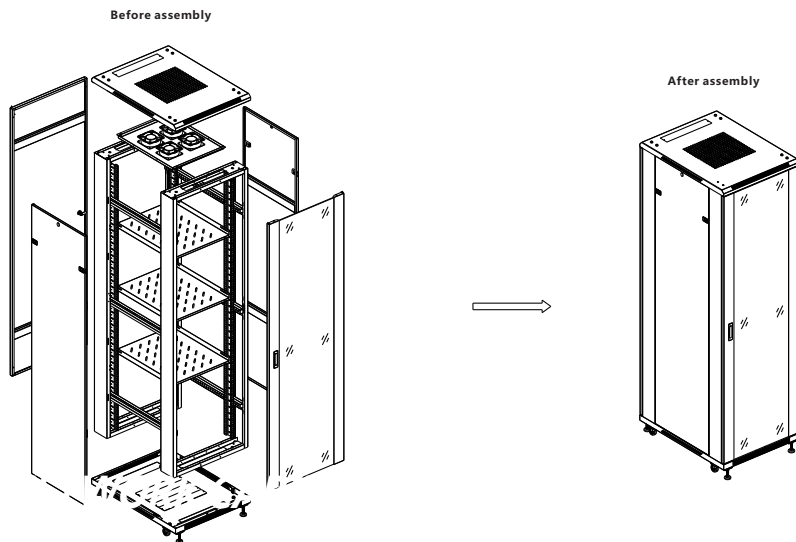
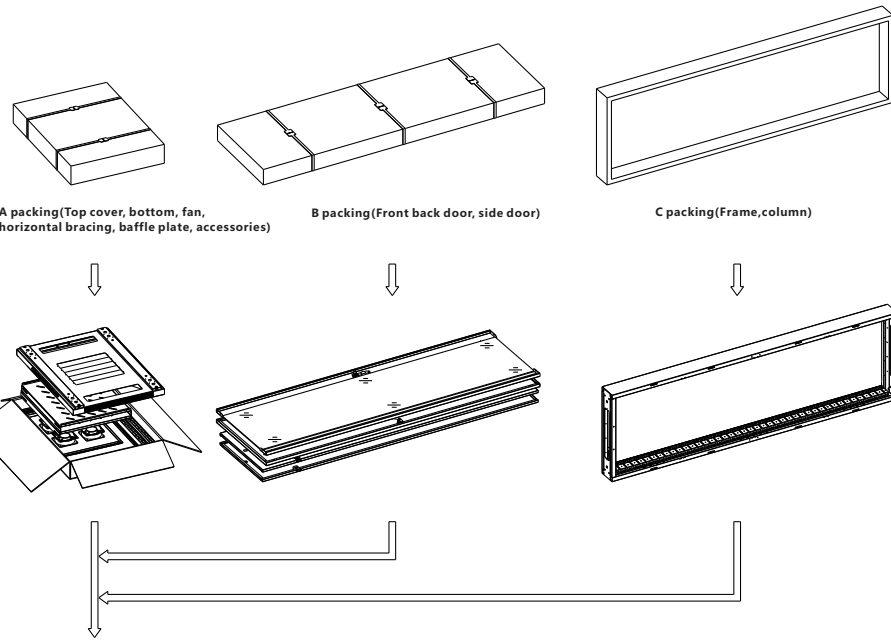


- 1.Top cover
- 2.Bottom
- 3.Fan plate
- 4.Frames
- 5.Front door
- 6.Back door
- 7.Side door
- 8.Horizontal bracing
- 9.Column
- 10.Baffle plate
- 11.Castor
- 12.Feet

Main Dimension



Installation size



Standard product configuration

NO	Name	Quantity	Unit	Material	Surface treatment	Remarks
1	Top cover	1	Piece	1.2mm cold rolled quality steel sheet	Powder coating	---
2	Bottom	1	Piece	1.2mm cold rolled quality steel sheet	Powder coating	---
3	Fan plate (with 4 fans B)	1	Piece	1.2mm cold rolled quality steel sheet	Powder coating	66 specification with 2 fans
4	Frame	2	Piece	1.2mm cold rolled quality steel sheet	Powder coating	---
5	Front door	1	Piece	5mm Tempered glass/1.2mm cold rolled quality steel sheet	Powder coating	C Type door
6	Back door	1	Piece	1.2mm cold rolled quality steel sheet	Powder coating	D Type door
7	Side door	2	Piece	1.0mm cold rolled quality steel sheet	Powder coating	---
8	Horizontal bracing	6	Piece	1.2mm cold rolled quality steel sheet	Powder coating	---
9	Column	4	Piece	2.0mm cold rolled quality steel sheet	Powder coating	1.5mm under 22U
10	Baffle plate	3	Piece	1.2mm cold rolled quality steel sheet	Powder coating	1 piece for 18U-27U 2 pieces for 32U-37U 3 pieces for 42U-47U
11	Castor	4	Piece	---	---	---
12	M12 Feet	4	Piece	---	---	---
13	Screw nut buckled	40	Set	---	---	20 sets for 18U-27U 30 sets for 32U-37U 40 sets for 42U-47U
14	6 power outlet	1	Piece	---	---	---

Specification

Item number	Capability	W (mm)	D (mm)	H (mm)	Packing size			Volume (m³)	Spare parts packing size			Volume (m³)
					W (mm)	D (mm)	H (mm)		PackingA	PackingB	PackingC	
NP6618	18U	600	600	988	615	615	998	0.377	615*615*130	615*920*315	---	0.227
NP6622	22U	600	600	1166	615	615	1176	0.445	615*615*130	615*1095*315	---	0.261
NP6822	22U	600	800	1166	615	815	1176	0.589	615*815*130	615*1095*315	---	0.277
NP6627	27U	600	600	1388	615	615	1398	0.529	615*615*130	615*1320*315	---	0.305
NP6827	27U	600	800	1388	615	815	1398	0.701	615*815*130	615*1320*315	---	0.321
NP6632	32U	600	600	1610	615	615	1620	0.613	615*615*130	640*1465*90	-10*1535*270	0.386
NP6832	32U	600	800	1610	615	815	1620	0.812	615*815*130	615*1465*105	610*1535*270	0.413
NP6637	37U	600	600	1833	615	615	1843	0.697	615*615*130	640*1690*90	610*1760*270	0.436
NP6837	37U	600	800	1833	615	815	1843	0.924	615*815*130	615*1690*105	610*1760*270	0.464
NP6137	37U	600	1000	1833	615	1015	1843	1.150	615*1015*130	730*1690*105	610*1760*270	0.501
NP6642	42U	600	600	2055	615	615	2065	0.781	615*615*130	640*1910*90	610*1980*270	0.485
NP6842	42U	600	800	2055	615	815	2065	1.035	615*815*130	615*1910*105	610*1980*270	0.514
NP6142	42U	600	1000	2055	615	1015	2065	1.289	615*1015*130	730*1910*105	610*1980*270	0.553
NP6647	47U	600	600	2277	615	615	2287	0.865	615*615*130	640*2135*90	610*2200*270	0.534
NP6847	47U	600	800	2277	615	815	2287	1.146	615*815*130	615*2135*105	610*2200*270	0.565
NP6147	47U	600	1000	2277	615	1015	2287	1.428	615*1015*130	730*2135*105	610*2200*270	0.607
NP8837	37U	800	800	1833	815	815	1843	1.224	815*815*130	815*1690*105	810*1760*270	0.616
NP8842	42U	800	800	2055	815	815	2065	1.372	815*815*130	815*1910*105	810*1980*270	0.682
NP8142	42U	800	1000	2055	815	1015	2065	1.708	810*1015*130	815*1910*105	810*1980*270	0.704
NP8847	47U	800	800	2277	815	815	2287	1.519	815*815*130	815*2135*105	810*2200*270	0.750
NP8147	47U	800	1000	2277	815	1015	2287	1.862	815*1015*130	815*2135*105	810*2200*270	0.772

Colour
 Black(RAL9005)=B ■
 Gray(RAL7035)=G ■