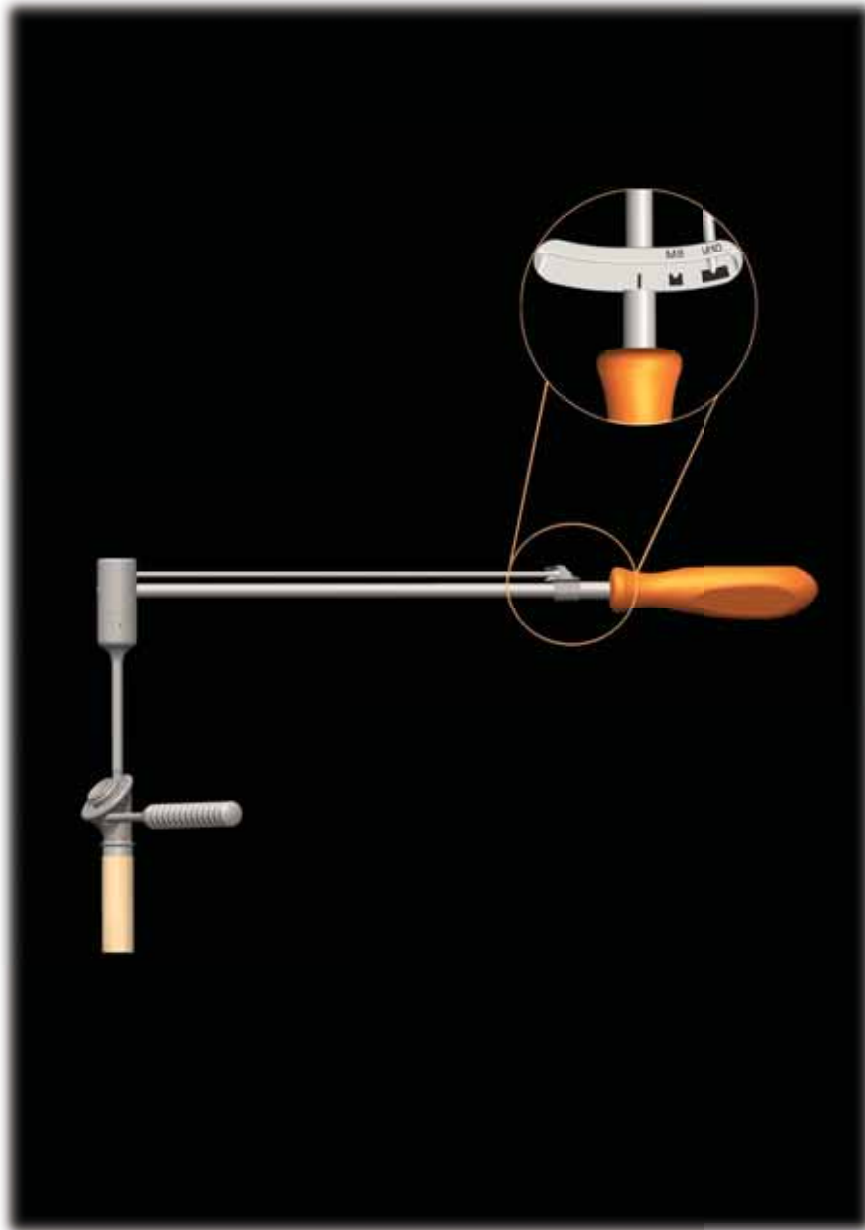


MUTARS®



MUTARS®
torque wrench
M8 M10
surgical technique



implantcoast

MUTARS®

MUTARS® torque wrench M8 M10 surgical technique

TABLE OF CONTENTS

Overview and usage of the adapters	4
Overview and usage of the torque indicator	5
Usage of the MUTARS® adapter (big clover leaf)	6
Usage of the MUTARS® adapter long (big clover leaf)	7
Usage of the MUTARS® adapter small (small clover leaf)	8
Instruments	9

Note: The described surgical technique is the suggested treatment for the uncomplicated procedure. In the final analysis the preferred treatment is that which addresses the needs of the individual patient.

Copyright: MUTARS®, implavit® and implatan® are registered trademarks of implantcast GmbH. The use and copy of the content of this brochure are only allowed with prior written permission of implantcast GmbH.



MUTARS® torque wrench M8 M10

Overview and usage of the adapters



MUTARS®
torque wrench



MUTARS®
adapter (big clover leaf)
*Application: Prox. Femur,
Dist. Femur, Prox. Tibia,
Tot. Femur, KRI*



MUTARS®
adapter long (big clover leaf)
Application: RS stem, IMFR



MUTARS®
**adapter small
(small clover leaf)**
*Application: Humeral and Ulna
treatments*

MUTARS® torque wrench M8 M10

Overview and usage of the torque indicator

Please note, that the pointer matches with the mark of the required torque!



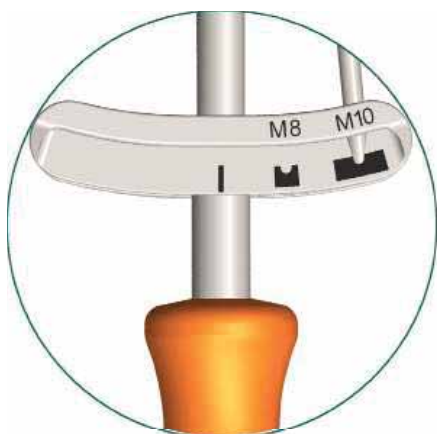
Neutral position:

Check the instrument when removed from the container. An intact instrument is in neutral position.



M8:

Application: MUTARS® RS (MUTARS® RS stem, KRI, IMFR, dist. femur, prox. femur with MUTARS® RS stem, MUTARS® RS Arthrodesis as well as all humerus and ulna treatments

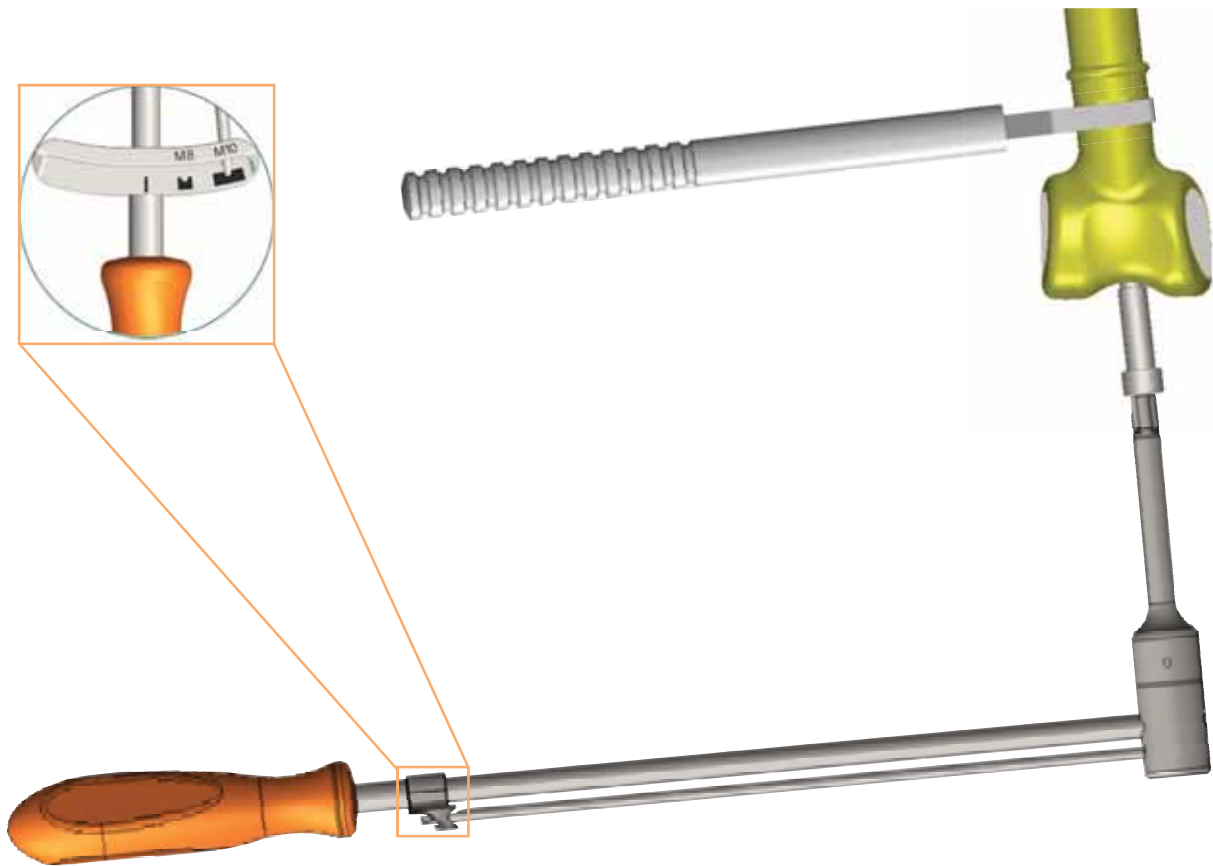


M10:

Application: MUTARS® Tumor femur (proximal, distal, total), tibia (proximal), MUTARS® Arthrodesis



MUTARS® torque wrench M8 M10



Usage of MUTARS® adapter (big clover leaf) by the example Distal Femur

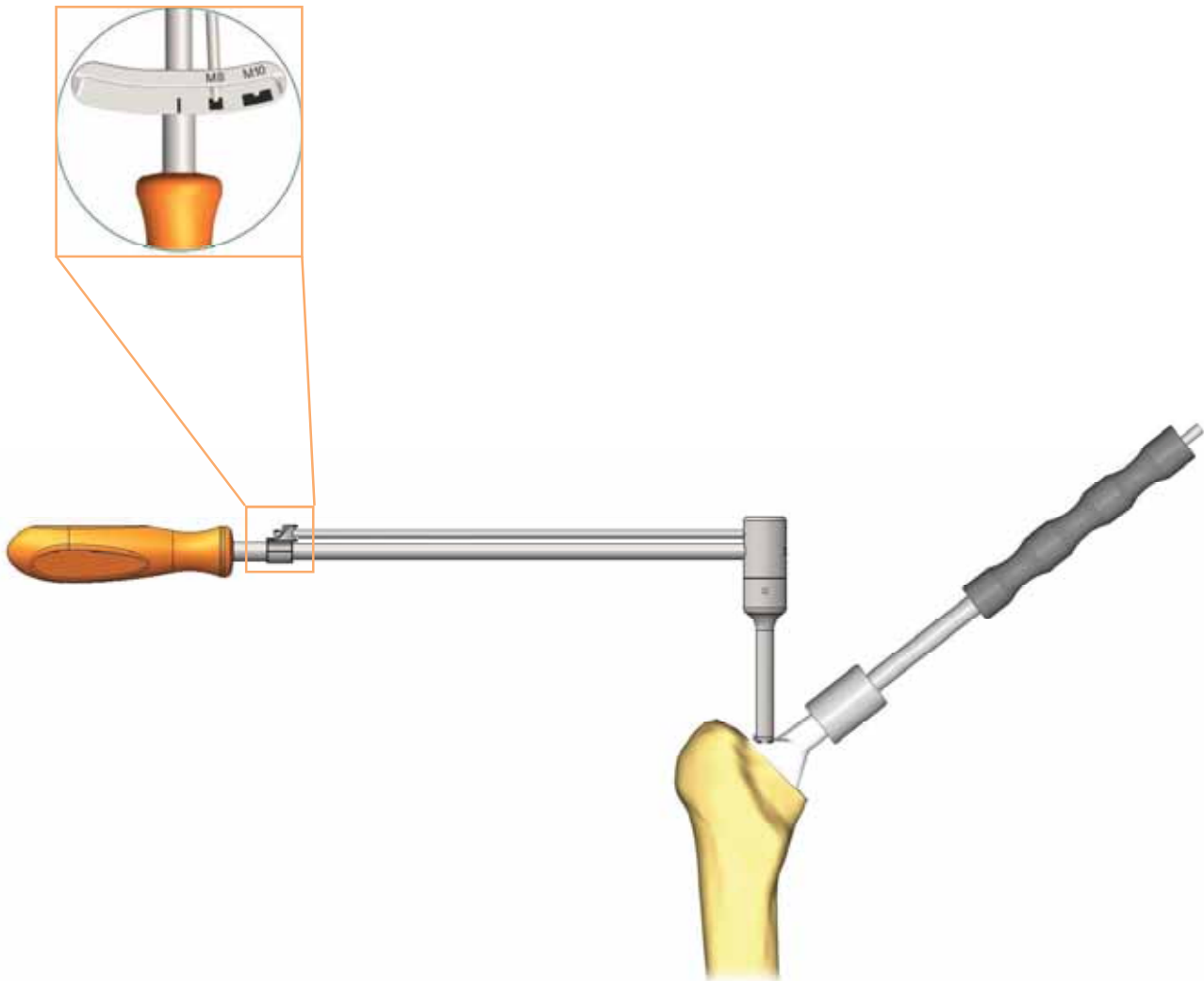
Combine the Distal Femur and possibly needed extension pieces with the femoral stem. Make sure that the correct rotation of the distal femur is achieved. Insert the bar screw of the correct length (see table in respective surgical technique).

Lock the bar screw with the MUTARS® torque wrench. The correct torque is applied, when the indicator of the wrench has reached the mark “**M10**”.

Secure the assembly with the engineers' wrench.

Lock the safety screw in the same way.

MUTARS® torque wrench M8 M10



Usage of MUTARS® adapter long (big clover leaf) by the example RS stem

Combine the proximal parts to the RS stem. Make sure that the correct rotation of the RS proximal part is achieved. Insert the bar screw of the correct length (see table in respective surgical technique).

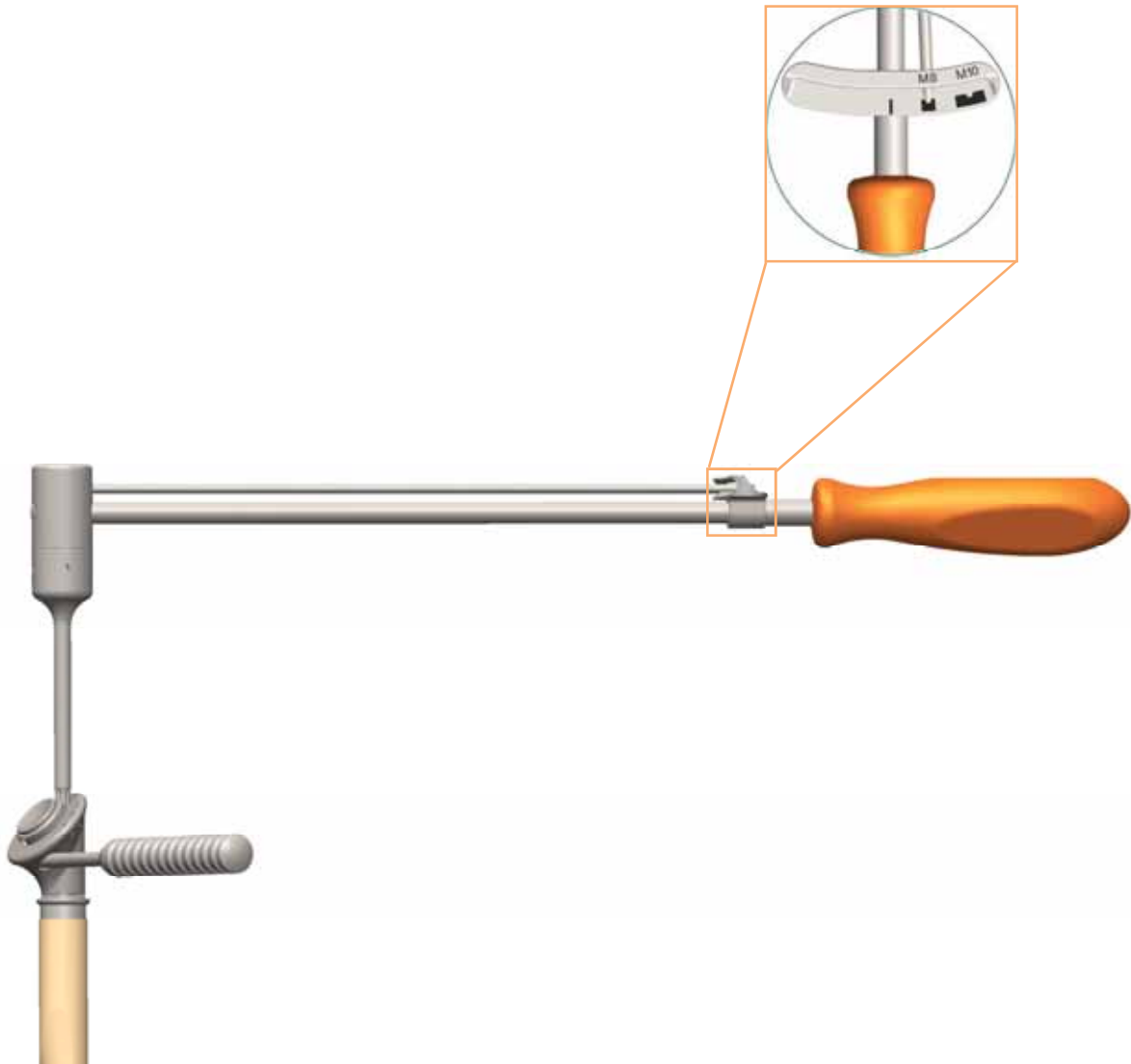
Lock the bar screw with the MUTARS® torque wrench. The correct torque is applied, when the indicator of the wrench has reached the mark “**M8**”.

Secure the assembly with the RS counter instrument.

Lock the safety screw in the same way.



MUTARS® torque wrench M8 M10



Usage of MUTARS® adapter small (small clover leaf) by the example Proximal Humerus

Combine the Proximal Humerus and possibly needed extension pieces with the humerus stem. Make sure that the correct rotation of the Proximal Humerus is achieved. Insert the bar screw of the correct length (see table in respective surgical technique).

Lock the bar screw with the MUTARS® torque wrench. The correct torque is applied, when the indicator of the wrench has reached the mark “**M8**”.

Secure the assembly with the counter instrument.

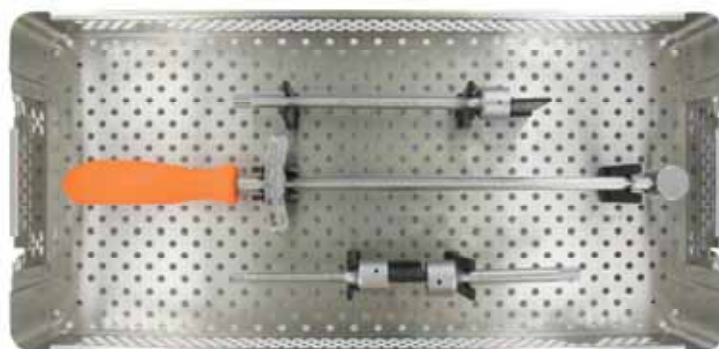
Lock the safety screw in the same way.



MUTARS® torque wrench M8 M10

INSTRUMENTS

**MUTARS® torque wrench M8 M10
container**
7999-5706



Content MUTARS® torque wrench M8 M10 container



**MUTARS®
torque wrench M8 M10**
7755-1230



**MUTARS®
adapter short**
7755-1231



**MUTARS®
adapter long**
7755-1232



**MUTARS®
adapter small**
7755-1233



implantcast GmbH
Lüneburger Schanze 26
D-21614 Buxtehude
Germany
phone.: +49 4161 744-0
fax: +49 4161 744-200
e-mail: info@implantcast.de
internet: www.implantcast.de



Your local distributor:

MUDRMOPE-250816

