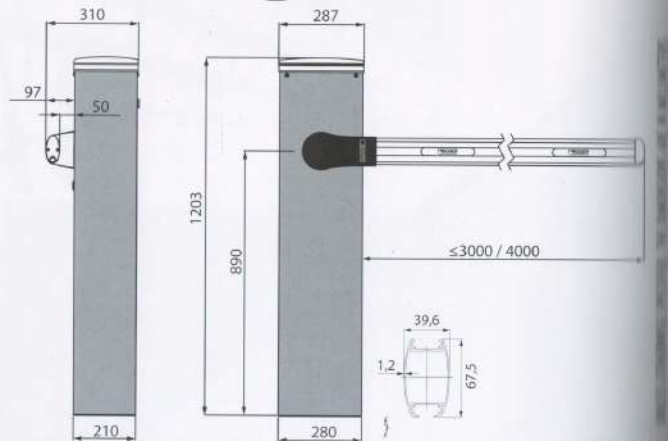
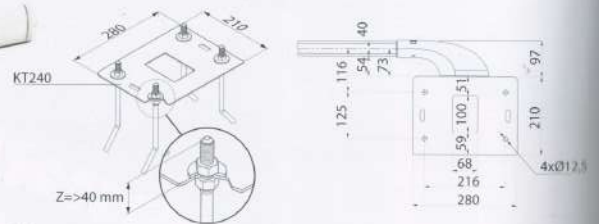
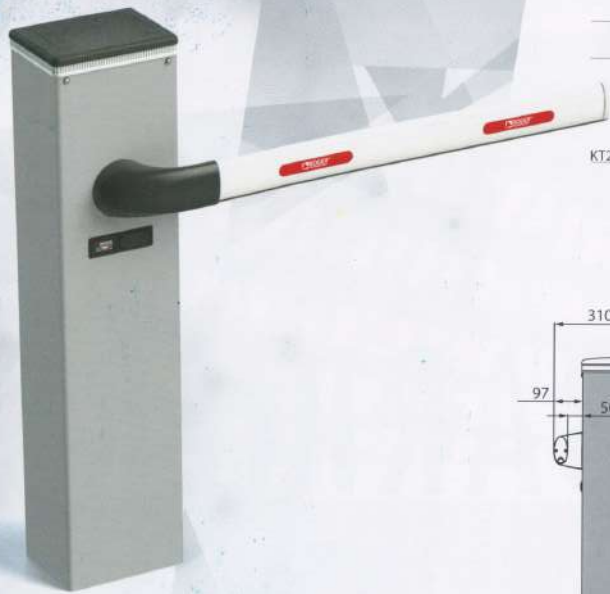


SERIES BIONIK 4



Roger Technology automatic barriers represent the ideal solution for all automations used in residential, condominium, commercial and industrial car parks. Highly successful, the barriers for motorway car parks, are fast and integrated with **Vehicle Priority Systems**. The BIONIK SERIES is dedicated for openings with boom arms from 3 m to 4 m in length.

DIMENSIONS & INSTALLATION



Residential
Industrial



PRODUCT CODE	DESCRIPTION	NUMBER ITEMS PER PALLET
BI/004 - BI/004/115	36V DC BIONIK BRUSHLESS barrier for 3 or 4 metre booms, with control unit and on board native encoder, complete with a fastening base with tie rods and screws and boom fastening flanges.	8

FEATURES

MODEL	BI/004 - BI/004/115
Barriers	Up to 4 mt long
Power line supply	230V AC / 115V AC - 50 Hz
Motor power supply	36V DC
Electrical absorption	0-15A
Power rating	220W
Frequency of use	Continue use
Torque	0 - 200 N m
Operating temperature	- 20 + 55 C°
Protection level	IP54
Actuator type	Irreversible
Opening time at 90°	1,5-6 sec (up to 3 m) - 3-6 sec (up to 4 m)
Control unit	CTRL Digital Controller 36V DC
Encoder	Digital native encoder + magnetic digital SENSORED, 4096 PPR
Emergency power supply	24V DC
Release system	STANDARD Key cylinder - Optional European Cylinder (Cod. RL670)
Emergency recovery	Available (optional)
Self synchronization Master/Slave	Yes
Opening cycles per day (opening/closing - 24 hours no stop)	5000 cycles
Minimum dimension product in mm (L x W x H)	280 x 210 x 1203
Net weight packed (Kg)	47,5

HIGH SPEED VERSION ONLY WITH 3MT BOOM

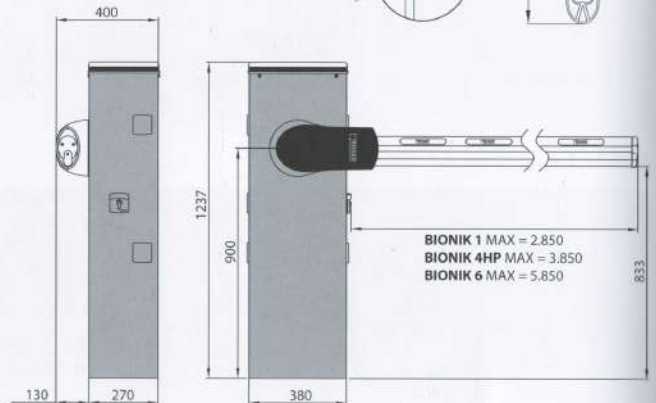
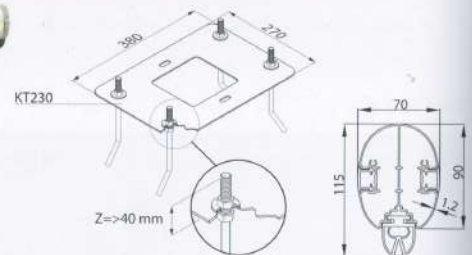
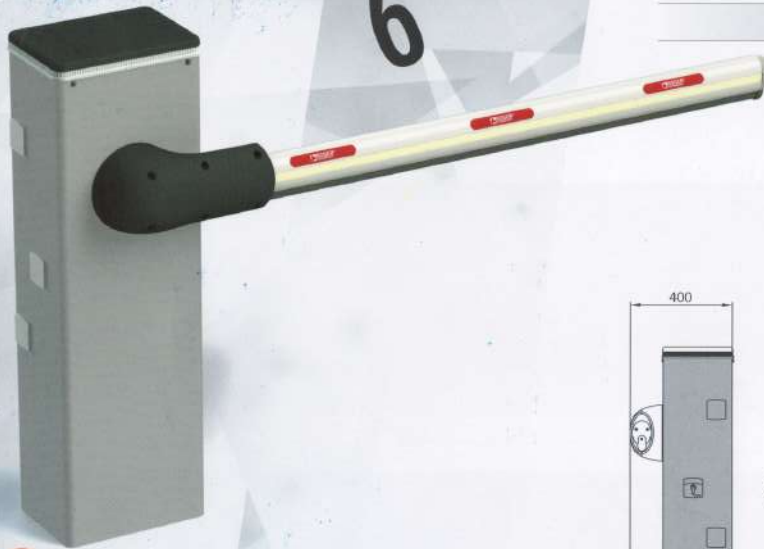


SERIES BIONIK 1 4HP 6



Roger Technology automatic barriers represent the ideal solution for all automations used in residential, condominium, commercial and industrial car parks. Highly successful, the barriers for motorway car parks, are fast and integrated with Vehicle Priority Systems. The Bionik SERIES is dedicated for openings with boom arms from 4 m to 6 m in length.

DIMENSIONS & INSTALLATION



Residential

Commercial

Industrial

Parking



PRODUCT CODE	DESCRIPTION	NUMBER ITEMS PER PALLET	
BI/004HP - BI/004HP/115	Automatic Barrier BRUSHLESS 36V DC super intensive use up to 4 meters, with operator and and built in digital control panel and absolute encoder on board.	6	
BI/004HP/IS - BI/004HP/IS/115	Automatic Barrier BRUSHLESS 36V DC super intensive use up to 4 meters, with operator and and built-in digital control panel and absolute encoder on board. Version with housing unit made in brushed stainless steel AISI 304.	6	
BI/006 - BI/006/115	Automatic Barrier BRUSHLESS 36V DC super intensive use up to 6 meters, with operator and and built in digital control panel and absolute encoder on board.	6	
BI/006/IS - BI/006/IS/115	Automatic Barrier BRUSHLESS 36V DC super intensive use up to 6 meters, with operator and and built-in digital control panel and absolute encoder on board. Version with housing unit made in brushed stainless steel AISI 304.	6	
BI/001PE	Automatic Barrier BRUSHLESS 36V DC, rapid version, super intensive use up to 3 meters, with operator and and built in digital control panel and absolute encoder on board; parking version.	6	
BI/001PC - BI/001PC/115	Automatic Barrier BRUSHLESS 36V DC, rapid version, super intensive use up to 3 meters, with operator and and built in digital control panel and absolute encoder on board; parking version. Version for cylindrical boom arm BA/60/3.	6	

