

NON-CONTACT TONOMETER FT-1000

AUTOMATED AIR-PUFF TONOMETER

DELIGHT IN SIGHT

Maximum comfort.
For all.



- Touch screen alignment system
- Soft and silent air pulse
- High-speed measurement
- Auto alignment + auto measurement
- Cornea thickness related IOP correction

 **TOMEY**
TECHNOLOGY AND VISION

THE TOMHEY NON-CONTACT TONOMETER FT-1000



QUALITY IN DETAIL

FT stands for Friendly Tonometer. Friendly because of the very silent and soft air pulse. This makes the **FT-1000** very convenient for the patient.

TOUCH SCREEN ALIGNMENT SYSTEM

The 5.7 inch coloured touch screen is used as operating monitor as well as for displaying all measured values. You can even move the head in all directions by simply touching the screen. All commands can be done via touch screen.

CORNEA THICKNESS RELATED IOP

You can easily adjust the measured IOP data according to the central corneal thickness. The calculation formula used by the **FT-1000** is individually adjustable to your own preference.

AUTO ALIGNMENT + AUTO SHOT

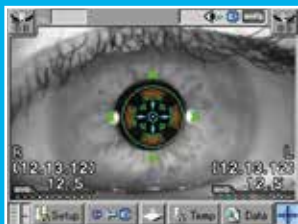
The handling of the **FT-1000** is very easy – it does almost everything by itself. Alignment and measurement are done automatically. You just roughly align the system towards the patient's eye and the rest is taken care of by the instrument. With a tip on the screen the system automatically moves to the left or right eye.

SOFT AND SILENT AIR PULSE

For the comfort of your patient the **FT-1000** is designed to use a very soft air pulse. Even the noise generated by the system is reduced to the minimum. This relaxes your patient and ensures highly accurate results.

HIGH SPEED MEASUREMENT

If you choose the multi shot option the system produces up to three air pulses in an extremely short sequence (0.1 seconds each).



Auto alignment / auto shot



Data list

SPECIFICATIONS

MEASURING INTRAOCULAR PRESSURE

Measurement range 0-60 mm Hg
(0-30 mm Hg / 25-60 mm Hg)

Measurement 1 mm Hg (1 hPA) increments
within the measurement range

ENERGY AND OTHER CONSUMPTION

Light source Light emitting diode

Wavelength 880 nm

Output Alignment < 50 μ W
(Limit 1:210 μ W)
Measurement < 100 μ W
(Limit 1: 3200 μ W, t = 0.05 s)

SIGHT-FIXING LAMP

Light source Light emitting diode (3-colour chip)

Wavelength Red 630 nm
Green 520 nm
Blue 470 nm

Output Red < 0.1 μ W (Limit 1:3.7 μ W)
Green < 0.1 μ W (Limit 1:3.7 μ W)
Blue < 0.1 μ W (Limit 1:3.7 μ W)

LIGHT FOR ANTERIOR EYE SEGMENT

Light source Light emitting diode

Wavelength 780 nm

Output < 100 μ W (Limit 1: 450 μ W)
1 AEL Class 1 Conforming
to IEC 60825-1:2001

Standards applied MDD ANNEX II, ISO 13485

MAIN UNIT

Built-in printer Thermosensitive line printer

Stroke of moving section 88 mm (X-axis)
40 mm (Y-axis)
45 mm (Z-axis)

Stroke of chin rest 70 mm

Data output type RS-232C

Display 5.7" colour LCD

DIMENSIONS & ELECTRICAL REQUIREMENTS

Dimensions WDH 306 x 493 x 463 mm

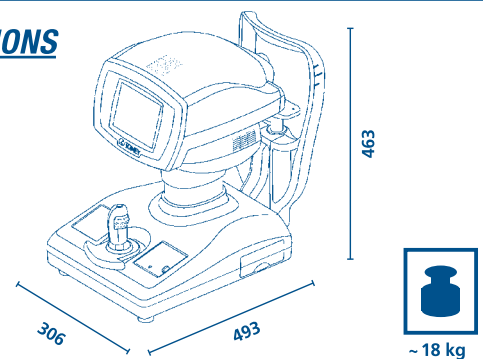
Weight Approx. 18 kg

Power supply AC 100 V to 240 V

Frequency 50/60 Hz

Power consumption Less than 85 VA

DIMENSIONS



TOMEY EUROPE
TOMEY GmbH
Wiesbadener Straße 21
90427 Nürnberg, Germany
Phone +49 911 938 546 2 0
Fax +49 911 938 546 2 20
Email info@tomey.de

TOMEY ASIA-PACIFIC
TOMEY CORPORATION JAPAN
2-11-33 Noritakeshinmachi
Nishi-ku, Nagoya 451-0051, Japan
Phone +81 52 581 5327
Fax +81 52 561 4735
Email intl@tomey.co.jp

TOMEY
TECHNOLOGY AND VISION

www.tomey.de