

Verification Report

No. CANEC1317437701

Date: 26 Nov 2013

Page 1 of 16

ZHONGSHAN CAMRY ELECTRONIC CO., LTD

BAISHAWAN INDUSTRIAL PARK, QIWAN ROAD EAST, EAST DISTRICT, ZHONGSHAN, GUANGDONG CHINA

Sample Name : Electronic Hand Dynamometer

SGS Job No. : CP13-058399 - GZ

Tested Basic Model No. EF922

(P.O. No.) :

Tested Extended Model No. EH101

(P.O. No.) :

Date of Sample Received : 11 Nov 2013

Verification Period : 11 Nov 2013 - 26 Nov 2013

Verification Requested : With reference to RoHS Directive 2011/65/EU recasting 2002/95/EC.


Verification Method : Please refer to next page(s).

Verification Result : Please refer to next page(s).

Verification Conclusion : Based on the review of previous reports and verification results of the submitted samples, the results of Lead, Mercury, Cadmium, Hexavalent chromium, Polybrominated biphenyls (PBBs), Polybrominated diphenyl ethers (PBDEs) comply with the RoHS Directive 2011/65/EU recasting 2002/95/EC.
According to the declaration from client, the materials of other parts in product "Electronic Hand Dynamometer" (model EH101) are the same as those in product "Body Fat/ Hydration Monitor Scale" (model EF922) on report CANEC1307857301 (data and photos are shown on report CANEC1307857301)

Note : The test results are related only to the tested items. The report shall not be reproduced except in full without the written approval of the testing laboratory.

Signed for and on behalf of
SGS-CSTC Ltd.



JENNY LIAO
Approved Signatory

This document is issued by the Company subject to its General Conditions of Service printed overleaf, available on request or accessible at <http://www.sgs.com/en/Terms-and-Conditions.aspx> and, for electronic format documents, subject to Terms and Conditions for Electronic Documents at <http://www.sgs.com/en/Terms-and-Conditions/Terms-e-Document.aspx>. Attention is drawn to the limitation of liability, indemnification and jurisdiction issues defined therein. Any holder of this document is advised that information contained herein reflects the Company's findings at the time of its intervention only and within the limits of Client's instructions, if any. The Company's sole responsibility is to its Client and this document does not exonerate parties to a transaction from exercising all their rights and obligations under the transaction documents. This document cannot be reproduced except in full, without prior written approval of the Company. Any unauthorized alteration, forgery or falsification of the content or appearance of this document is unlawful and offenders may be prosecuted to the fullest extent of the law. Unless otherwise stated the results shown in this test report refer only to the sample(s) tested.

Verification Report

No. CANEC1317437701

Date: 26 Nov 2013

Page 2 of 16

Verification Method :

1. With reference to IEC 62321-2:2013, review was performed for the samples disjointed from the submitted articles and the related test reports submitted by the Applicant
2. With reference to IEC 62321-1:2013, tests were performed for the samples indicated by the photos in the report.
 - (1) With reference to IEC 62321-3-1: 2013, screening by EDXRF Spectroscopy
 - (2) Wet Chemical Test Method:
 - a. With reference to IEC 62321-5:2013, determination of Cadmium by ICP-OES.
 - b. With reference to IEC 62321-5:2013, determination of Lead by ICP-OES.
 - c. With reference to IEC 62321-4:2013, determination of Mercury by ICP-OES.
 - d. With reference to IEC 62321:2008, determination of Hexavalent Chromium by spot test / Colorimetric Method using UV-Vis.
 - e. With reference to IEC 62321:2008, determination of PBBs and PBDEs by GC-MS.

This document is issued by the Company subject to its General Conditions of Service printed overleaf, available on request or accessible at <http://www.sgs.com/en/Terms-and-Conditions.aspx> and, for electronic format documents, subject to Terms and Conditions for Electronic Documents at <http://www.sgs.com/en/Terms-and-Conditions/Terms-e-Document.aspx>. Attention is drawn to the limitation of liability, indemnification and jurisdiction issues defined therein. Any holder of this document is advised that information contained herein reflects the Company's findings at the time of its intervention only and within the limits of Client's instructions, if any. The Company's sole responsibility is to its Client and this document does not exonerate parties to a transaction from exercising all their rights and obligations under the transaction documents. This document cannot be reproduced except in full, without prior written approval of the Company. Any unauthorized alteration, forgery or falsification of the content or appearance of this document is unlawful and offenders may be prosecuted to the fullest extent of the law. Unless otherwise stated the results shown in this test report refer only to the sample(s) tested.

Part No.	Part Description	BOM No.	Restricted Substances	Results of EDXRF (1)	Result of Wet Chemical Testing(2) (mg/kg)	Conclusion on EU RoHS	Sample Submitted / Resubmitted Date
1	Grey plastic shell w/ black printing		Pb Cd Hg Cr(VI) PBBs PBDEs	BL BL BL BL BL BL	--- --- --- --- --- ---	Comply Comply Comply Comply Comply Comply	11 Nov 2013
2	White plastic button w/ white printing (on No.1)		Pb Cd Hg Cr(VI) PBBs PBDEs	BL BL BL BL BL BL	--- --- --- --- --- ---	Comply Comply Comply Comply Comply Comply	11 Nov 2013
3	White plastic handle (on No.1)		Pb Cd Hg Cr(VI) PBBs PBDEs	BL BL BL BL BL BL	--- --- --- --- --- ---	Comply Comply Comply Comply Comply Comply	11 Nov 2013
4	White plastic part (on No.1)		Pb Cd Hg Cr(VI) PBBs PBDEs	BL BL BL BL BL BL	--- --- --- --- --- ---	Comply Comply Comply Comply Comply Comply	11 Nov 2013

This document is issued by the Company subject to its General Conditions of Service printed overleaf, available on request or accessible at <http://www.sgs.com/en/Terms-and-Conditions.aspx> and, for electronic format documents, subject to Terms and Conditions for Electronic Documents at <http://www.sgs.com/en/Terms-and-Conditions/Terms-e-Document.aspx>. Attention is drawn to the limitation of liability, indemnification and jurisdiction issues defined therein. Any holder of this document is advised that information contained herein reflects the Company's findings at the time of its intervention only and within the limits of Client's instructions, if any. The Company's sole responsibility is to its Client and this document does not exonerate parties to a transaction from exercising all their rights and obligations under the transaction documents. This document cannot be reproduced except in full, without prior written approval of the Company. Any unauthorized alteration, forgery or falsification of the content or appearance of this document is unlawful and offenders may be prosecuted to the fullest extent of the law. Unless otherwise stated the results shown in this test report refer only to the sample(s) tested.

Part No.	Part Description	BOM No.	Restricted Substances	Results of EDXRF (1)	Result of Wet Chemical Testing(2) (mg/kg)	Conclusion on EU RoHS	Sample Submitted / Resubmitted Date
5	Grey plastic cover (on No.1)		Pb Cd Hg Cr(VI) PBBs PBDEs	BL BL BL BL BL BL	--- --- --- --- --- ---	Comply Comply Comply Comply Comply Comply	11 Nov 2013
6	Silvery metal screw (on No.1)		Pb Cd Hg Cr(VI) PBBs PBDEs	BL BL BL BL --- ---	--- --- --- --- --- ---	Comply Comply Comply Comply --- ---	11 Nov 2013
7	Grey plastic sheet (on No.3)		Pb Cd Hg Cr(VI) PBBs PBDEs	BL BL BL BL BL BL	--- --- --- --- --- ---	Comply Comply Comply Comply Comply Comply	11 Nov 2013
8	Silvery metal screw (on No.7)		Pb Cd Hg Cr(VI) PBBs PBDEs	BL BL BL BL --- ---	--- --- --- --- --- ---	Comply Comply Comply Comply --- ---	11 Nov 2013

This document is issued by the Company subject to its General Conditions of Service printed overleaf, available on request or accessible at <http://www.sgs.com/en/Terms-and-Conditions.aspx> and, for electronic format documents, subject to Terms and Conditions for Electronic Documents at <http://www.sgs.com/en/Terms-and-Conditions/Terms-e-Document.aspx>. Attention is drawn to the limitation of liability, indemnification and jurisdiction issues defined therein. Any holder of this document is advised that information contained herein reflects the Company's findings at the time of its intervention only and within the limits of Client's instructions, if any. The Company's sole responsibility is to its Client and this document does not exonerate parties to a transaction from exercising all their rights and obligations under the transaction documents. This document cannot be reproduced except in full, without prior written approval of the Company. Any unauthorized alteration, forgery or falsification of the content or appearance of this document is unlawful and offenders may be prosecuted to the fullest extent of the law. Unless otherwise stated the results shown in this test report refer only to the sample(s) tested.

Part No.	Part Description	BOM No.	Restricted Substances	Results of EDXRF (1)	Result of Wet Chemical Testing(2) (mg/kg)	Conclusion on EU RoHS	Sample Submitted / Resubmitted Date
9	Silvery metal screw (in No.4)		Pb Cd Hg Cr(VI) PBBs PBDEs	BL BL BL BL --- ---	--- --- --- --- --- ---	Comply Comply Comply Comply --- ---	11 Nov 2013
10	Silvery metal shaft (in No.3)		Pb Cd Hg Cr(VI) PBBs PBDEs	BL BL BL BL --- ---	--- --- --- --- --- ---	Comply Comply Comply Comply --- ---	11 Nov 2013
11	Black surfaced metal spring (on No.10)		Pb Cd Hg Cr(VI) PBBs PBDEs	BL BL BL BL --- ---	--- --- --- --- --- ---	Comply Comply Comply Comply --- ---	11 Nov 2013
12	Black surfaced metal spring (small) (on No.10)		Pb Cd Hg Cr(VI) PBBs PBDEs	BL BL BL BL --- ---	--- --- --- --- --- ---	Comply Comply Comply Comply --- ---	11 Nov 2013

This document is issued by the Company subject to its General Conditions of Service printed overleaf, available on request or accessible at <http://www.sgs.com/en/Terms-and-Conditions.aspx> and, for electronic format documents, subject to Terms and Conditions for Electronic Documents at <http://www.sgs.com/en/Terms-and-Conditions/Terms-e-Document.aspx>. Attention is drawn to the limitation of liability, indemnification and jurisdiction issues defined therein. Any holder of this document is advised that information contained herein reflects the Company's findings at the time of its intervention only and within the limits of Client's instructions, if any. The Company's sole responsibility is to its Client and this document does not exonerate parties to a transaction from exercising all their rights and obligations under the transaction documents. This document cannot be reproduced except in full, without prior written approval of the Company. Any unauthorized alteration, forgery or falsification of the content or appearance of this document is unlawful and offenders may be prosecuted to the fullest extent of the law. Unless otherwise stated the results shown in this test report refer only to the sample(s) tested.

Part No.	Part Description	BOM No.	Restricted Substances	Results of EDXRF (1)	Result of Wet Chemical Testing(2) (mg/kg)	Conclusion on EU RoHS	Sample Submitted / Resubmitted Date
13	Silvery metal part (on No.10)		Pb Cd Hg Cr(VI) PBBs PBDEs	BL BL BL BL --- ---	--- --- --- --- --- ---	Comply Comply Comply Comply --- ---	11 Nov 2013
14	Silvery metal part (in No.1)		Pb Cd Hg Cr(VI) PBBs PBDEs	BL BL BL BL --- ---	--- --- --- --- --- ---	Comply Comply Comply Comply --- ---	11 Nov 2013
15	Silvery metal (battery sheet) (in No.1)		Pb Cd Hg Cr(VI) PBBs PBDEs	BL BL BL BL --- ---	--- --- --- --- --- ---	Comply Comply Comply Comply --- ---	11 Nov 2013
16	Silvery metal screw (on No.14)		Pb Cd Hg Cr(VI) PBBs PBDEs	BL BL BL BL --- ---	--- --- --- --- --- ---	Comply Comply Comply Comply --- ---	11 Nov 2013

This document is issued by the Company subject to its General Conditions of Service printed overleaf, available on request or accessible at <http://www.sgs.com/en/Terms-and-Conditions.aspx> and, for electronic format documents, subject to Terms and Conditions for Electronic Documents at <http://www.sgs.com/en/Terms-and-Conditions/Terms-e-Document.aspx>. Attention is drawn to the limitation of liability, indemnification and jurisdiction issues defined therein. Any holder of this document is advised that information contained herein reflects the Company's findings at the time of its intervention only and within the limits of Client's instructions, if any. The Company's sole responsibility is to its Client and this document does not exonerate parties to a transaction from exercising all their rights and obligations under the transaction documents. This document cannot be reproduced except in full, without prior written approval of the Company. Any unauthorized alteration, forgery or falsification of the content or appearance of this document is unlawful and offenders may be prosecuted to the fullest extent of the law. Unless otherwise stated the results shown in this test report refer only to the sample(s) tested.

Part No.	Part Description	BOM No.	Restricted Substances	Results of EDXRF (1)	Result of Wet Chemical Testing(2) (mg/kg)	Conclusion on EU RoHS	Sample Submitted / Resubmitted Date
17	Silvery metal (solder) (on No.15)		Pb Cd Hg Cr(VI) PBBs PBDEs	BL BL BL BL --- ---	--- --- --- --- --- ---	Comply Comply Comply Comply --- ---	11 Nov 2013
18	Green "PCB" (in No.1)		Pb Cd Hg Cr(VI) PBBs PBDEs	BL BL BL BL IN IN	--- --- --- --- ND ND	Comply Comply Comply Comply Comply Comply	11 Nov 2013
19	Silvery metal spring (on No.18)		Pb Cd Hg Cr(VI) PBBs PBDEs	BL BL BL BL --- ---	--- --- --- --- --- ---	Comply Comply Comply Comply --- ---	11 Nov 2013
20	Silvery metal shell (on No.18)		Pb Cd Hg Cr(VI) PBBs PBDEs	BL BL BL BL --- ---	--- --- --- --- --- ---	Comply Comply Comply Comply --- ---	11 Nov 2013

This document is issued by the Company subject to its General Conditions of Service printed overleaf, available on request or accessible at <http://www.sgs.com/en/Terms-and-Conditions.aspx> and, for electronic format documents, subject to Terms and Conditions for Electronic Documents at <http://www.sgs.com/en/Terms-and-Conditions/Terms-e-Document.aspx>. Attention is drawn to the limitation of liability, indemnification and jurisdiction issues defined therein. Any holder of this document is advised that information contained herein reflects the Company's findings at the time of its intervention only and within the limits of Client's instructions, if any. The Company's sole responsibility is to its Client and this document does not exonerate parties to a transaction from exercising all their rights and obligations under the transaction documents. This document cannot be reproduced except in full, without prior written approval of the Company. Any unauthorized alteration, forgery or falsification of the content or appearance of this document is unlawful and offenders may be prosecuted to the fullest extent of the law. Unless otherwise stated the results shown in this test report refer only to the sample(s) tested.

Part No.	Part Description	BOM No.	Restricted Substances	Results of EDXRF (1)	Result of Wet Chemical Testing(2) (mg/kg)	Conclusion on EU RoHS	Sample Submitted / Resubmitted Date
21	Green "PCB" (on No.18)		Pb Cd Hg Cr(VI) PBBs PBDEs	BL BL BL BL IN IN	--- --- --- --- ND ND	Comply Comply Comply Comply Comply Comply	11 Nov 2013
22	Silvery metal (solder) (on No.18)		Pb Cd Hg Cr(VI) PBBs PBDEs	BL BL BL BL --- ---	--- --- --- --- --- ---	Comply Comply Comply Comply --- ---	11 Nov 2013
23	Black plastic button (on No.20)		Pb Cd Hg Cr(VI) PBBs PBDEs	BL BL BL BL BL BL	--- --- --- --- --- ---	Comply Comply Comply Comply Comply Comply	11 Nov 2013
24	Copper-colored/ silvery metal sheet (in No.20)		Pb Cd Hg Cr(VI) PBBs PBDEs	BL BL BL BL --- ---	--- --- --- --- --- ---	Comply Comply Comply Comply --- ---	11 Nov 2013

This document is issued by the Company subject to its General Conditions of Service printed overleaf, available on request or accessible at <http://www.sgs.com/en/Terms-and-Conditions.aspx> and, for electronic format documents, subject to Terms and Conditions for Electronic Documents at <http://www.sgs.com/en/Terms-and-Conditions/Terms-e-Document.aspx>. Attention is drawn to the limitation of liability, indemnification and jurisdiction issues defined therein. Any holder of this document is advised that information contained herein reflects the Company's findings at the time of its intervention only and within the limits of Client's instructions, if any. The Company's sole responsibility is to its Client and this document does not exonerate parties to a transaction from exercising all their rights and obligations under the transaction documents. This document cannot be reproduced except in full, without prior written approval of the Company. Any unauthorized alteration, forgery or falsification of the content or appearance of this document is unlawful and offenders may be prosecuted to the fullest extent of the law. Unless otherwise stated the results shown in this test report refer only to the sample(s) tested.

Part No.	Part Description	BOM No.	Restricted Substances	Results of EDXRF (1)	Result of Wet Chemical Testing(2) (mg/kg)	Conclusion on EU RoHS	Sample Submitted / Resubmitted Date
25 -C	Black plastic base (in No.20)		Pb	BL	---	Comply	11 Nov 2013 19 Nov 2013
			Cd	BL	---	Comply	
			Hg	BL	---	Comply	
			Cr(VI)	BL	---	Comply	
			PBBs	IN	ND	Comply	
			PBDEs	IN	ND	Comply	
26	Silvery metal pin (in No.25)		Pb	BL	---	Comply	11 Nov 2013
			Cd	BL	---	Comply	
			Hg	BL	---	Comply	
			Cr(VI)	BL	---	Comply	
			PBBs	---	---	---	
			PBDEs	---	---	---	

This document is issued by the Company subject to its General Conditions of Service printed overleaf, available on request or accessible at <http://www.sgs.com/en/Terms-and-Conditions.aspx> and, for electronic format documents, subject to Terms and Conditions for Electronic Documents at <http://www.sgs.com/en/Terms-and-Conditions/Terms-e-Document.aspx>. Attention is drawn to the limitation of liability, indemnification and jurisdiction issues defined therein. Any holder of this document is advised that information contained herein reflects the Company's findings at the time of its intervention only and within the limits of Client's instructions, if any. The Company's sole responsibility is to its Client and this document does not exonerate parties to a transaction from exercising all their rights and obligations under the transaction documents. This document cannot be reproduced except in full, without prior written approval of the Company. Any unauthorized alteration, forgery or falsification of the content or appearance of this document is unlawful and offenders may be prosecuted to the fullest extent of the law. Unless otherwise stated the results shown in this test report refer only to the sample(s) tested.

Remark :

- (1) (a) There are the results on total Br while test items on restricted substances are PBBs and PBDEs. There is the result on total Cr while test item on restricted substances is Cr(VI).
- (b) Results are obtained by EDXRF for primary screening, and further chemical testing by ICP-OES (for Cd, Pb, Hg), UV-Vis (for Cr(VI)) and GC-MS (for PBBs, PBDEs) is recommended to be performed, if the concentration exceeds the below warning value according to IEC62321-3-1:2013 (unit: mg/kg).

Element	Polymer	Metal	Composite Materials
Cd	$BL \leq (70-3\sigma) < X < (130+3\sigma) \leq OL$	$BL \leq (70-3\sigma) < X < (130+3\sigma) \leq OL$	$LOD < X < (150+3\sigma) \leq OL$
Pb	$BL \leq (700-3\sigma) < X < (1300+3\sigma) \leq OL$	$BL \leq (700-3\sigma) < X < (1300+3\sigma) \leq OL$	$BL \leq (500-3\sigma) < X < (1500+3\sigma) \leq OL$
Hg	$BL \leq (700-3\sigma) < X < (1300+3\sigma) \leq OL$	$BL \leq (700-3\sigma) < X < (1300+3\sigma) \leq OL$	$BL \leq (500-3\sigma) < X < (1500+3\sigma) \leq OL$
Br	$BL \leq (300-3\sigma) < X$	--	$BL \leq (250-3\sigma) < X$
Cr	$BL \leq (700-3\sigma) < X$	$BL \leq (700-3\sigma) < X$	$BL \leq (500-3\sigma) < X$

(c) BL = Below Limit, OL = Over Limit, IN = Inconclusive, LOD = Limit of Detection, -- = Not regulated.

(d) The XRF screening test for RoHS elements - The reading may be different to the actual content in the sample be of non-uniformity composition.

- (2) (a) mg/kg = 0.0001%, MDL = Method detection Limit, ND = Not Detected (<MDL), --- = Not conducted, - = Without BOM.

(b) Unit and MDL in wet chemical test

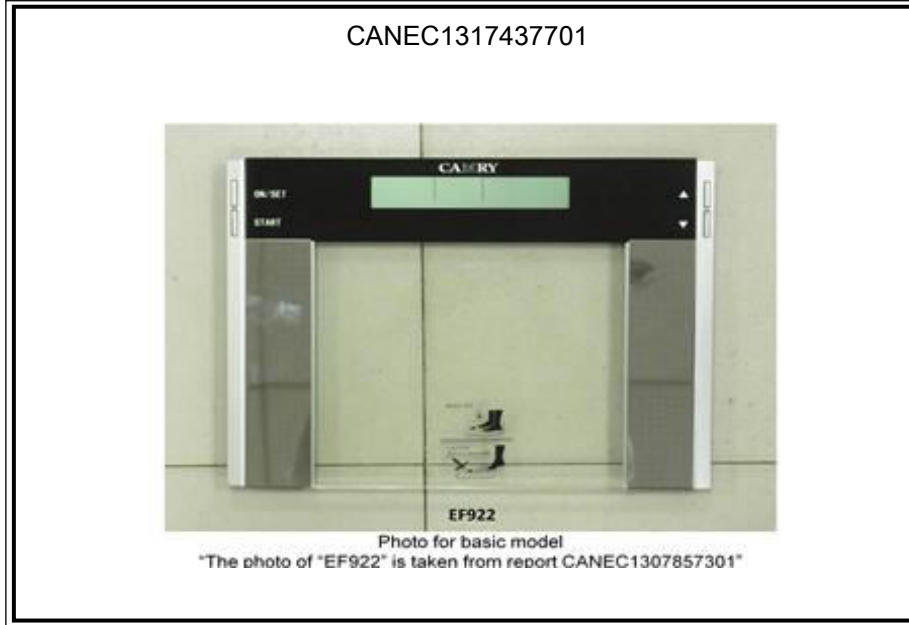
Test Item	Pb	Cd	Hg
Unit	mg/kg	mg/kg	mg/kg
MDL	2	2	2

The MDL for single compound of PBBs and PBDEs is 5 mg/kg, MDL of Cr(VI) for polymer and composite sample is 2 mg/kg.

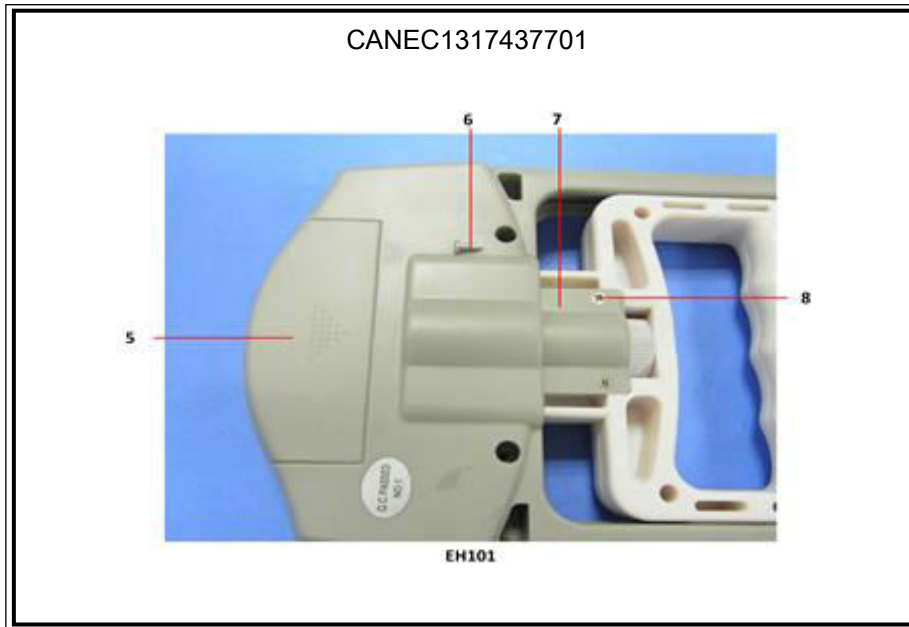
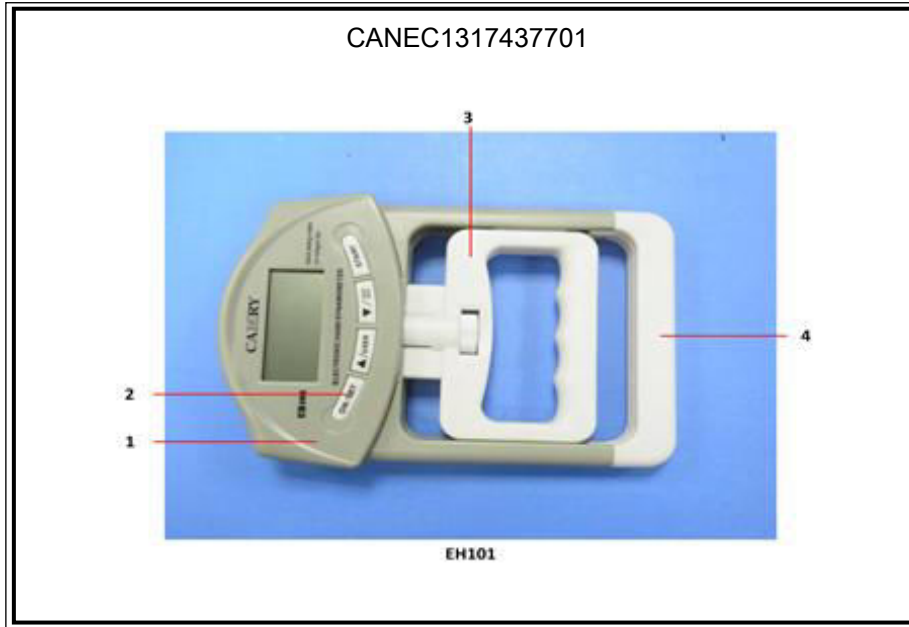
- (c) According to IEC 62321:2008, result on Cr(VI) for metal sample is shown as Positive/Negative. Negative = Absence of Cr(VI) coating, Positive = Presence of Cr(VI) coating.

This document is issued by the Company subject to its General Conditions of Service printed overleaf, available on request or accessible at <http://www.sgs.com/en/Terms-and-Conditions.aspx> and, for electronic format documents, subject to Terms and Conditions for Electronic Documents at <http://www.sgs.com/en/Terms-and-Conditions/Terms-e-Document.aspx>. Attention is drawn to the limitation of liability, indemnification and jurisdiction issues defined therein. Any holder of this document is advised that information contained herein reflects the Company's findings at the time of its intervention only and within the limits of Client's instructions, if any. The Company's sole responsibility is to its Client and this document does not exonerate parties to a transaction from exercising all their rights and obligations under the transaction documents. This document cannot be reproduced except in full, without prior written approval of the Company. Any unauthorized alteration, forgery or falsification of the content or appearance of this document is unlawful and offenders may be prosecuted to the fullest extent of the law. Unless otherwise stated the results shown in this test report refer only to the sample(s) tested.

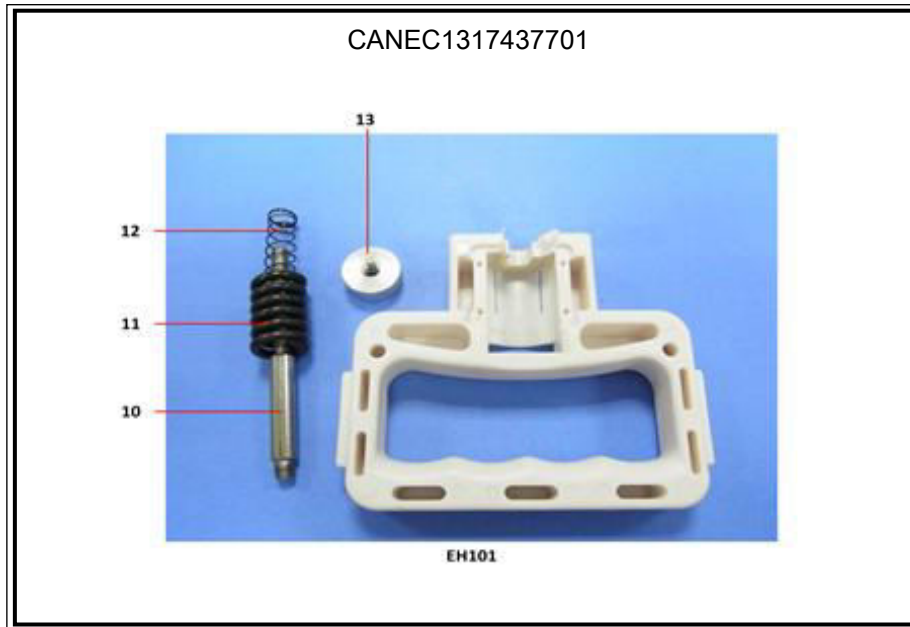
Sample photo:



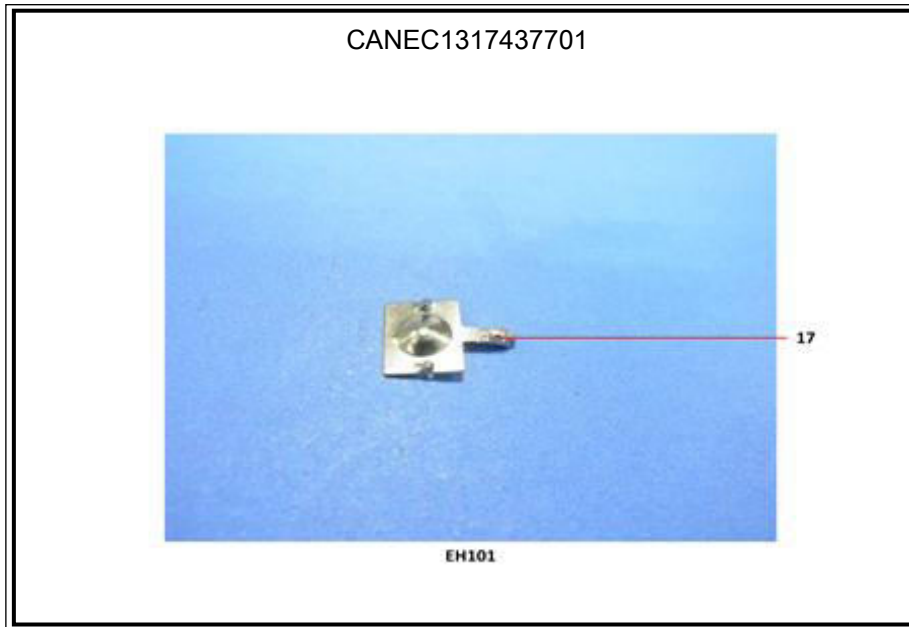
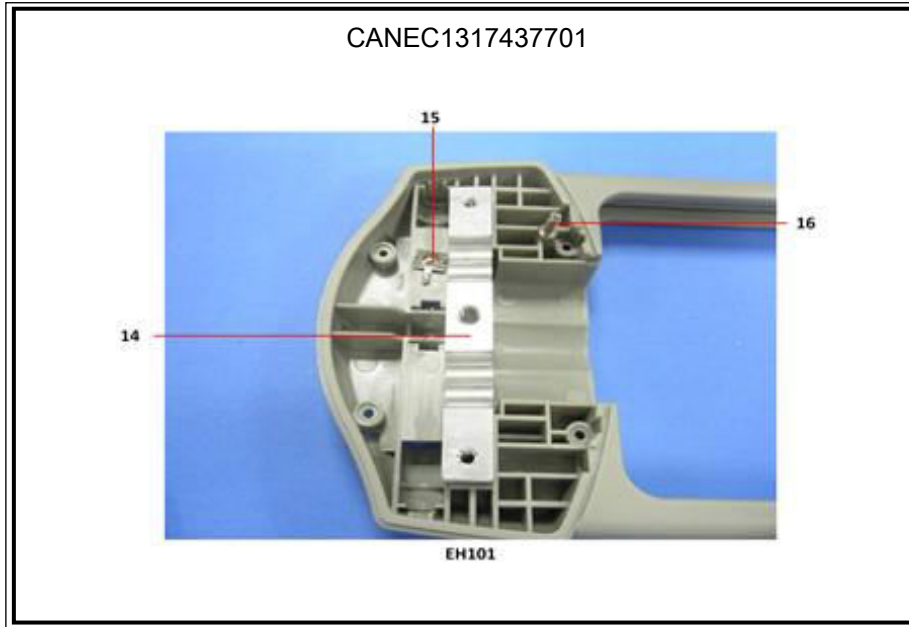
This document is issued by the Company subject to its General Conditions of Service printed overleaf, available on request or accessible at <http://www.sgs.com/en/Terms-and-Conditions.aspx> and, for electronic format documents, subject to Terms and Conditions for Electronic Documents at <http://www.sgs.com/en/Terms-and-Conditions/Terms-e-Document.aspx>. Attention is drawn to the limitation of liability, indemnification and jurisdiction issues defined therein. Any holder of this document is advised that information contained herein reflects the Company's findings at the time of its intervention only and within the limits of Client's instructions, if any. The Company's sole responsibility is to its Client and this document does not exonerate parties to a transaction from exercising all their rights and obligations under the transaction documents. This document cannot be reproduced except in full, without prior written approval of the Company. Any unauthorized alteration, forgery or falsification of the content or appearance of this document is unlawful and offenders may be prosecuted to the fullest extent of the law. Unless otherwise stated the results shown in this test report refer only to the sample(s) tested.



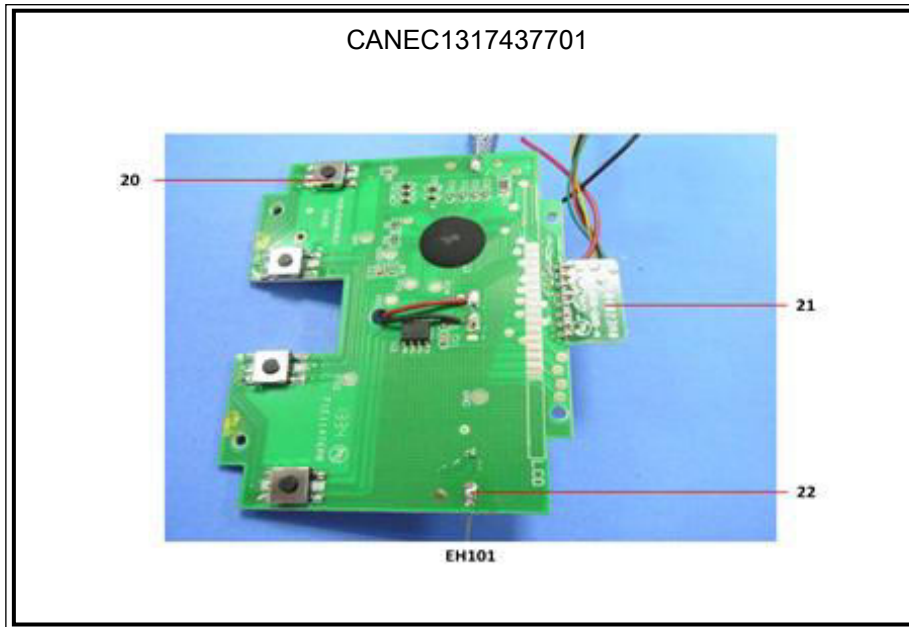
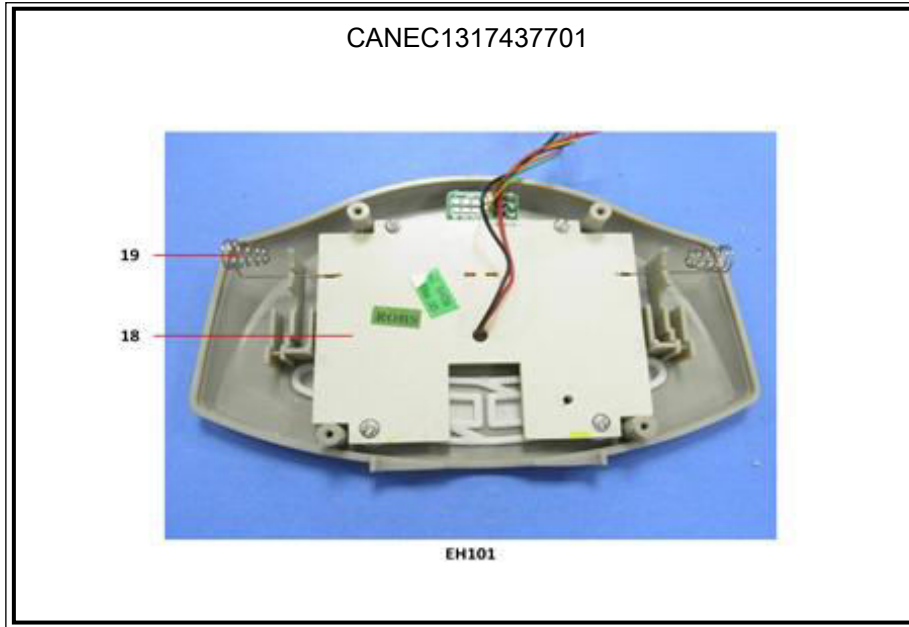
This document is issued by the Company subject to its General Conditions of Service printed overleaf, available on request or accessible at <http://www.sgs.com/en/Terms-and-Conditions.aspx> and, for electronic format documents, subject to Terms and Conditions for Electronic Documents at <http://www.sgs.com/en/Terms-and-Conditions/Terms-e-Document.aspx>. Attention is drawn to the limitation of liability, indemnification and jurisdiction issues defined therein. Any holder of this document is advised that information contained herein reflects the Company's findings at the time of its intervention only and within the limits of Client's instructions, if any. The Company's sole responsibility is to its Client and this document does not exonerate parties to a transaction from exercising all their rights and obligations under the transaction documents. This document cannot be reproduced except in full, without prior written approval of the Company. Any unauthorized alteration, forgery or falsification of the content or appearance of this document is unlawful and offenders may be prosecuted to the fullest extent of the law. Unless otherwise stated the results shown in this test report refer only to the sample(s) tested.



This document is issued by the Company subject to its General Conditions of Service printed overleaf, available on request or accessible at <http://www.sgs.com/en/Terms-and-Conditions.aspx> and, for electronic format documents, subject to Terms and Conditions for Electronic Documents at <http://www.sgs.com/en/Terms-and-Conditions/Terms-e-Document.aspx>. Attention is drawn to the limitation of liability, indemnification and jurisdiction issues defined therein. Any holder of this document is advised that information contained herein reflects the Company's findings at the time of its intervention only and within the limits of Client's instructions, if any. The Company's sole responsibility is to its Client and this document does not exonerate parties to a transaction from exercising all their rights and obligations under the transaction documents. This document cannot be reproduced except in full, without prior written approval of the Company. Any unauthorized alteration, forgery or falsification of the content or appearance of this document is unlawful and offenders may be prosecuted to the fullest extent of the law. Unless otherwise stated the results shown in this test report refer only to the sample(s) tested.

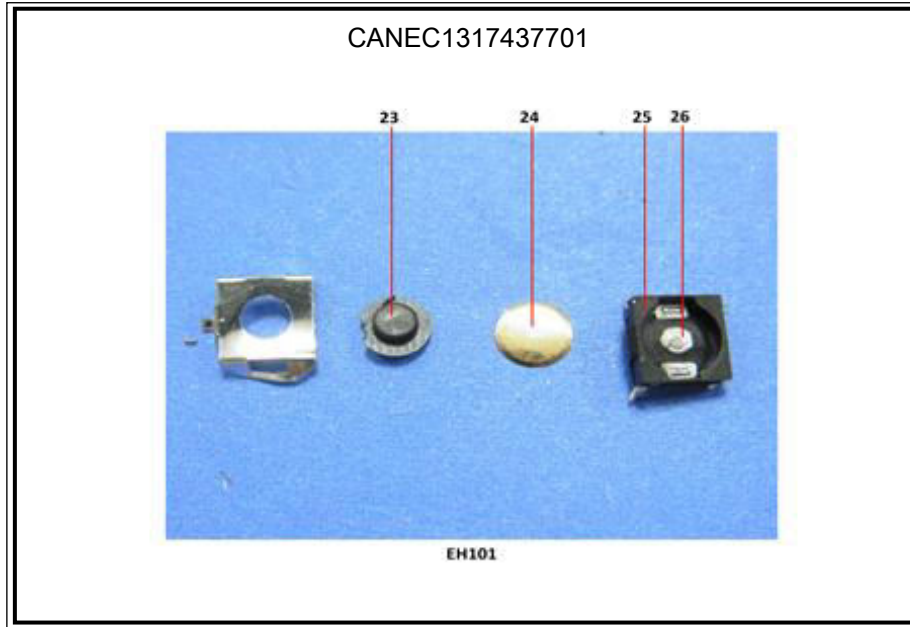


This document is issued by the Company subject to its General Conditions of Service printed overleaf, available on request or accessible at <http://www.sgs.com/en/Terms-and-Conditions.aspx> and, for electronic format documents, subject to Terms and Conditions for Electronic Documents at <http://www.sgs.com/en/Terms-and-Conditions/Terms-e-Document.aspx>. Attention is drawn to the limitation of liability, indemnification and jurisdiction issues defined therein. Any holder of this document is advised that information contained herein reflects the Company's findings at the time of its intervention only and within the limits of Client's instructions, if any. The Company's sole responsibility is to its Client and this document does not exonerate parties to a transaction from exercising all their rights and obligations under the transaction documents. This document cannot be reproduced except in full, without prior written approval of the Company. Any unauthorized alteration, forgery or falsification of the content or appearance of this document is unlawful and offenders may be prosecuted to the fullest extent of the law. Unless otherwise stated the results shown in this test report refer only to the sample(s) tested.



This document is issued by the Company subject to its General Conditions of Service printed overleaf, available on request or accessible at <http://www.sgs.com/en/Terms-and-Conditions.aspx> and, for electronic format documents, subject to Terms and Conditions for Electronic Documents at <http://www.sgs.com/en/Terms-and-Conditions/Terms-e-Document.aspx>. Attention is drawn to the limitation of liability, indemnification and jurisdiction issues defined therein. Any holder of this document is advised that information contained herein reflects the Company's findings at the time of its intervention only and within the limits of Client's instructions, if any. The Company's sole responsibility is to its Client and this document does not exonerate parties to a transaction from exercising all their rights and obligations under the transaction documents. This document cannot be reproduced except in full, without prior written approval of the Company. Any unauthorized alteration, forgery or falsification of the content or appearance of this document is unlawful and offenders may be prosecuted to the fullest extent of the law. Unless otherwise stated the results shown in this test report refer only to the sample(s) tested.





SGS authenticate the photo on original report only

*** End of Report ***

This document is issued by the Company subject to its General Conditions of Service printed overleaf, available on request or accessible at <http://www.sgs.com/en/Terms-and-Conditions.aspx> and, for electronic format documents, subject to Terms and Conditions for Electronic Documents at <http://www.sgs.com/en/Terms-and-Conditions/Terms-e-Document.aspx>. Attention is drawn to the limitation of liability, indemnification and jurisdiction issues defined therein. Any holder of this document is advised that information contained herein reflects the Company's findings at the time of its intervention only and within the limits of Client's instructions, if any. The Company's sole responsibility is to its Client and this document does not exonerate parties to a transaction from exercising all their rights and obligations under the transaction documents. This document cannot be reproduced except in full, without prior written approval of the Company. Any unauthorized alteration, forgery or falsification of the content or appearance of this document is unlawful and offenders may be prosecuted to the fullest extent of the law. Unless otherwise stated the results shown in this test report refer only to the sample(s) tested.