

## MODULAR SYSTEM



## VERSIONS

	Modular bases - Standard - Heavy duty
	One module enclosure with cut-out - Standard
	Enclosure with plain lid - Standard - Heavy duty
	Consumer unit - Standard - Heavy duty

## REFERENCE STANDARDS

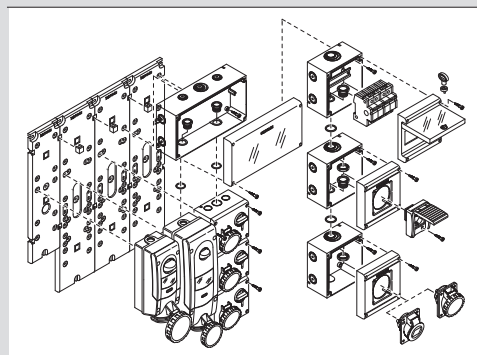
<p><b>EN 60670-1</b> Boxes and enclosures for electrical accessories for household and similar fixed electrical installations. <i>Part 1: general requirements.</i></p>
<p><b>CEI 23-49</b> Enclosure for accessories for household and similar fixed electrical installations. <i>Part 2: particular requirements for enclosures for protection devices and accessories dissipating a considerable power in normal use.</i></p>

## QUALITY MARKS



## TECHNICAL CHARACTERISTICS

Protection degree:	<b>IP66</b>
Operating ambient temperature according to the reference standard:	<b>-25°C +35°C</b>
Max operating ambient temperature:	<b>60°C</b>
Dissipable power according to the reference standard:	<b>8-17W</b>
Glow wire test:	<b>650°C/850°C</b>
Cable inlets:	<b>Metric</b>
Material:	<b>Engineering plastic</b>
IK degree at 20°C:	<b>IK07 (Advance2) IK08 (Advance2-HD)</b>
Colour:	<b>Grey RAL 7035 (standard) Grey RAL 7004 (Heavy duty)</b>
Insulation class:	<b>Class II (double insulation) </b>



## BEHAVIOUR WITH CHEMICAL AND ATMOSPHERIC AGENTS - STANDARD SYSTEM

Saline solution	Acids		Bases		Solvents				Mineral oil	UV rays
	Concentrated	Diluted	Concentrated	Diluted	Hexane	Benzol	Acetone	Alcohol		
Resistant	Limited Resistance	Resistant	Limited Resistance	Resistant	Not Resistant	Not Resistant	Not Resistant	Limited Resistance	Limited Resistance	Resistant

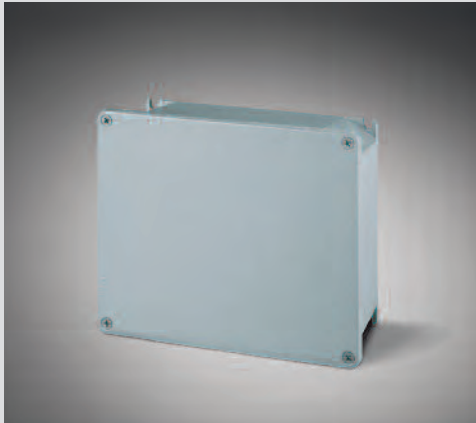
## BEHAVIOUR WITH CHEMICAL AND ATMOSPHERIC AGENTS - HD SYSTEM

Saline solution	Acids		Bases		Solvents				Mineral oil	UV rays
	Concentrated	Diluted	Concentrated	Diluted	Hexane	Benzol	Acetone	Alcohol		
Resistant	Limited Resistance	Resistant	Limited Resistance	Resistant	Resistant	Limited Resistance	Not Resistant	Resistant	Resistant	Resistant

## APPLICATION EXAMPLES



## JUNCTION BOXES FOR ELECTRICAL INSTALLATIONS



## VERSIONS

	Enclosure IP66
	Mounting plates
	DIN rail kit (horizontal and diagonal fixing)

## REFERENCE STANDARDS

**EN 60670-22**  
Boxes and enclosures for electrical accessories for household and similar fixed electrical installations.  
*Part 22: particular requirements for connecting boxes and enclosures.*

## QUALITY MARKS



## TECHNICAL CHARACTERISTICS

Protection degree:	<b>IP66/67</b>
Operating ambient temperature according to the reference standard:	<b>-25°C +60°C</b>
Max. operating ambient temperature (Short period):	<b>-40°C +90°C</b>
Material:	<b>Aluminium alloy</b>
IK degree at 20°C:	<b>IK08</b>
Cable inlets:	<b>Blank sides</b>
DIN rail fixing:	<b>Yes</b>
Colour:	<b>Grey RAL 9006 with metallic pigments</b>

Heavy duty appliance for internal industrial applications.

## BEHAVIOUR WITH CHEMICAL AND ATMOSPHERIC AGENTS

Saline solution	Acids		Bases		Solvents				Mineral oil	UV rays
	Concentrated	Diluted	Concentrated	Diluted	Hexane	Benzol	Acetone	Alcohol		
Resistant	Limited Resistance	Resistant	Limited Resistance	Resistant	Limited Resistance	Limited Resistance	Limited Resistance	Resistant	Resistant	Resistant



Enclosures and covers in aluminium alloy with blank walls and covered.



Holding seal in expanded EPDM, already mounted in place on the cover.



Fixing to wall by brackets incorporated in the enclosure base.

## APPLICATION EXAMPLES



# DOMINO Series

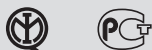
## CONSUMER UNITS AND ENCLOSURES



## VERSIONS

	Surface mounting - IP66
	Surface mounting - IP40 With window
	Surface mounting - IP40 Without window
	Flush mounting - IP40 With window

## QUALITY MARKS



## REFERENCE STANDARDS

**EN 62208**  
Empty enclosure for low-voltage switchgear and controlgear assemblies.  
*Part 1: general requirements.*

**EN 60670-24**  
Boxes and enclosures for electrical accessories for household and similar fixed electrical installations.  
*Part 24: particular requirements for enclosures for housing protective devices and other power dissipating electrical equipment.*

**EN 61439-3**  
Low-voltage switchgear and controlgear assemblies.  
*Part 3: distribution boards intended to be operated by ordinary persons (DBO).*

**EN 61439-4**  
Low-voltage switchgear and controlgear assemblies.  
*Part 4: particular requirements for assemblies for construction sites (ACS)*

**EN 60670-1**  
Boxes and enclosures for electrical accessories for household and similar fixed electrical installations.  
*Part 1: general requirements.*

**CEI 23-49**  
Enclosure for accessories for household and similar fixed electrical installations.  
*Part 2: particular requirements for enclosures for protection devices and accessories dissipating a considerable power in normal use.*

## TECHNICAL CHARACTERISTICS

Protection degree:	<b>IP40-IP66</b>
Operating ambient temperature according to the reference standard:	<b>-25°C +35°C</b>
Max. operating ambient temperature:	<b>60°C</b>
Glow Wire test:	<b>650°C</b>
Material:	<b>Engineering plastic</b>
IK degree at 20°C:	<b>IP40: IK06 IP66: IK07</b>
Cable inlets:	<b>PG/METRIC</b>
Dissipable power according to CEI 23-49 standard:	<b>9÷140W</b>
Colour:	<b>Grey RAL 7035 White RAL 9003</b>
Terminal blocks fixing possibility:	<b>Yes</b>
Insulation class:	<b>Class II (double insulation) </b>

## BEHAVIOUR WITH CHEMICAL AND ATMOSPHERIC AGENTS

Saline solution	Acids		Bases		Solvents				Mineral oil	UV rays
	Concentrated	Diluted	Concentrated	Diluted	Hexane	Benzol	Acetone	Alcohol		
Resistant	Limited Resistance	Resistant	Limited Resistance	Resistant	Resistant	Not Resistant	Not Resistant	Resistant	Not Resistant	Resistant

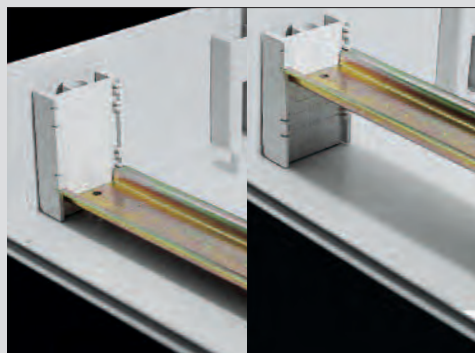
## APPLICATION EXAMPLES



## ■ SURFACE MOUNTING IP66



Hinges: should be snap-fitted into their guides, can be mounted on the left or the right side, in the series versions 12 to 64 DIN modules.



DIN rail (EN 60715): can be placed on different levels.



The semi-transparent tinted window, lockable and sealable. To open it, just lower the handle provided, snap-closing.

## ■ SURFACE MOUNTING IP40



1/4 turn locking device.






Vertical connection.

## WEATHER-PROOF ENCLOSURES



## VERSIONS

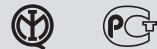
	LT enclosure Special high resistance thermoplastic compound.
	MV enclosure Metal 15/10 painted with an epoxy resin suitable for inside use.
	AI enclosure Stainless steel.

## REFERENCE STANDARDS

<p><b>EN 60670-1</b> Boxes and enclosures for electrical accessories for household and similar fixed electrical installations. <i>Part 1: general requirements.</i></p>
<p><b>CEI 23-49</b> Enclosure for accessories for household and similar fixed electrical installations. <i>Part 2: particular requirements for enclosures for protection devices and accessories dissipating a considerable power in normal use.</i></p>
<p><b>EN 62208</b> Empty enclosure for low-voltage switchgear and controlgear assemblies. <i>Part 1: general requirements.</i></p>

<p><b>EN 60670-24</b> Boxes and enclosures for electrical accessories for household and similar fixed electrical installations. <i>Part 24: particular requirements for enclosures for housing protective devices and other power dissipating electrical equipment.</i></p>
---

## QUALITY MARKS



## TECHNICAL CHARACTERISTICS

Protection degree:	<b>IP65</b>
Operating ambient temperature according to the reference standard:	<b>-25°C +35°C</b>
Max. operating ambient temperature:	<b>60°C</b>
Glow Wire test:	<b>650°C</b>
Material:	<b>Engineering plastic/Metal</b>
IK degree at 20°C:	<b>IK08 (door with window) IK10 (plain door)</b>
Cable inlets:	<b>Blank sides (Engineering plastic) Plate (Metal)</b>
Insulation class:	<b>Class II (double insulation) □</b>
Colour:	<b>Grey RAL 7035</b>

## BEHAVIOUR WITH CHEMICAL AND ATMOSPHERIC AGENTS

Saline solution	Acids		Bases		Solvents				Mineral oil	UV rays
	Concentrated	Diluted	Concentrated	Diluted	Hexane	Benzol	Acetone	Alcohol		
Resistant	Limited Resistance	Resistant	Limited Resistance	Resistant	Resistant	Not Resistant	Not Resistant	Resistant	Not Resistant	Resistant

## TYPES

	Dimensions (mm)	rows of	max
Type 1	320x370x210	12 DIN	24 DIN
Type 2	460x370x245	20 DIN	40 DIN
Type 3	460x520x245	20 DIN	60 DIN
Type 4	460x670x245	20 DIN	80 DIN
Type 5	775x715x345	35 DIN	140 DIN

There are 5 cabinets available in the EASYBOX Series, each with three different variations (LT, MV and AI):

## DISSIPABLE POWER

Cabinet	DIN Modules	Set-up with chassis and DIN rail (W)				Set-up with base plate in L3 position (W)	
		LT	MV	AI	LT	MV	AI
Type 1	24 DIN	35	45	30	40	65	40
Type 2	40 DIN	50	60	42	84	105	62
Type 3	60 DIN	58	73	47	100	125	78
Type 4	80 DIN	85	98	63	125	150	94
Type 5	140 DIN	138	155	-	235	280	-

Dissipable power according to Italian standard CEI 23-49

## APPLICATION EXAMPLES



## MODULARITY

The Easy-Box series offers a range of components that are modular and inter-changeable among the different enclosures. Enclosures with the same height or width can be placed above or beside each other, while enclosures of the same width have various components in common - DIN rails, modular plates, panels and accessories.



Metal enclosures: stainless steel (Al) and metal 15/10 varnished with epoxy resin (MV) take the same accessories as the (LT) cabinets.



LT cabinet type 3: set up with 2 DIN rows and half module (blank panel 1/2 module).



LT cabinet fixing brackets, positioned either horizontally or vertically for MV and Al enclosures.

Setting up with vertical modcb.

