

VIZULO

EAGLE Standard Split Eco EG2VE 1100 750 L87 BB0288 CJA NI1

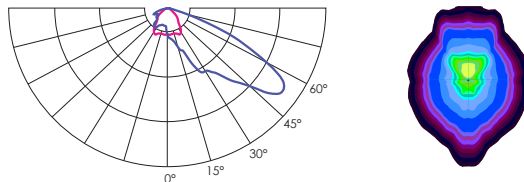
Project Moldova Airport
Customer CAPITAL SRL



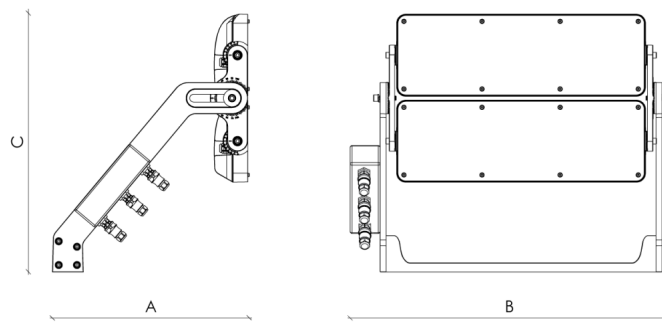
Color **RAL 7035**

| | | |
|------------|---------------------------------------------|---------------------|
| Electrical | Power factor | 0.43 |
| | Inrush current | 20 A / 1320 μ s |
| | Stand-by power | 0.5 W |
| Optical | Luminous flux | 146169 lm \pm 10% |
| | Luminous efficacy | 133 lm/W |
| | Constant light output | No |
| Lifetime | Lumen depreciation | L90 after 100 000 h |
| Protection | Surge protection L-N | 10 kV |
| | Surge protection L/N-PE | 10 kV |
| | LED module thermal protection w/ NTC | No |
| | Max products per MCB B16 | 1 |
| | Increased corrosion resistance | Primer |
| Controls | Dimming | No dimming |

Light distribution L87 TYPE-III



Dimensions A x B x C (mm): 540 x 868 x 705



Product images

