

XE155WGA



更高效



更便捷



更可靠



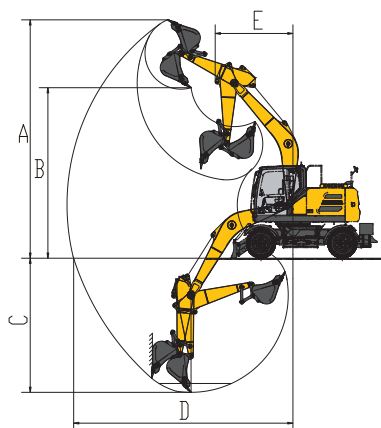
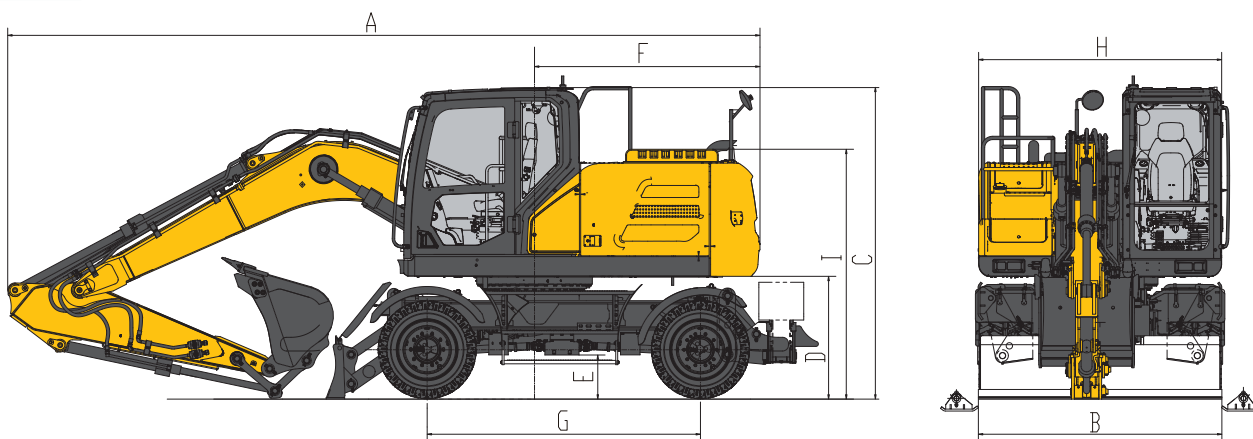
更舒适



转场更快



Overall overview



Dimensions		Unit: mm
A Total length	7705	
B Total width	2510	
C Total height	3200	
D Counterweight ground clearance	1258	
E Minimum ground clearance	380	
Minimum tail swing radius	2310	
G Wheelbase	2800	
H Turntable width	2490	
I Hood height	2560	

Working device		
Standard	Boom length/mm	4600
	Bucket rod length/mm	2100
Optional	Boom length/mm	/
	Bucket rod length/mm	2500
	Bucket capacity/m ³	0.26-0.7

Scope of work		Unit: mm
A Maximum digging height	8210	
B Maximum unloading height	5875	
C Maximum digging depth	4620	
D Maximum digging radius	7780	
E Minimum steering radius	6500	

Model	XE155WGA
Operating weight/kg	14200
Bucket capacity/m ³	0.6

Main performance	
Driving speed (high/low) km/h	37/11
Rotation speed r/min	12
Climbing ability ^o	35
Bucket digging force/kN	100
Stick digging force/kN	80
Maximum traction/kN	82

Engine	
Model	CUMMINS F4.5CS4145
Direct injection	✓
4-Stroke	✓
Water cooling	✓
Turbocharged	/
Air and air cooling	/
Number of cylinders	4
Rated output power/speed/kW/rpm	108/2200
Maximum torque/speed/N·m/rpm	600/1200-1700
Displacement L	4.5

Hydraulic system	
Main pump	2 plunger pumps
Rated flow rate of main pump L/min	2X176
Main safety valve pressure/MPa	34.3
Walking system pressure/MPa	34.3
Rotary system pressure/MPa	25
Pilot system pressure/MPa	3.9

Oil capacity	
Fuel tank capacity L	250
Hydraulic fuel tank capacity L	118
Engine oil capacity L	12

Note: This product is constantly updated and improved with technological progress, and is subject to modification without prior notice. The final interpretation of the above content belongs to the company.

