

Matrix dr

X RAY SYSTEM



Matrix dr

X RAY SYSTEM

Matrix dr is the mobile unit that guarantees maximum freedom of movement and integrates a direct digital acquisition system. Can be integrated with different detector formats.

The widely articulated arm allows you to reach all the patient's anatomical parts even from the edge of the bed.

The rotation of the arm and the easy movement make it a valid equipment for hospital wards, emergency rooms and plaster rooms.

Acquisition system

The on-board acquisition system allows the management of radiological parameters, archiving of acquired exams, post processing of images, saving and sending of studies to any hospital PACS.

The software provides the possibility of selecting the anatomical part and projection, instantly preparing the generator with the appropriate radiological parameters.

The equipment can be connected to the intranet via cable or via wireless connection.

Automatic shutdown

Matrix dr is equipped with an automatic shutdown system that turns off the equipment after 30 minutes of inactivity to prevent damage to the insert.

The uninterruptible power supply allows you to move the equipment without the need to turn off the computer.

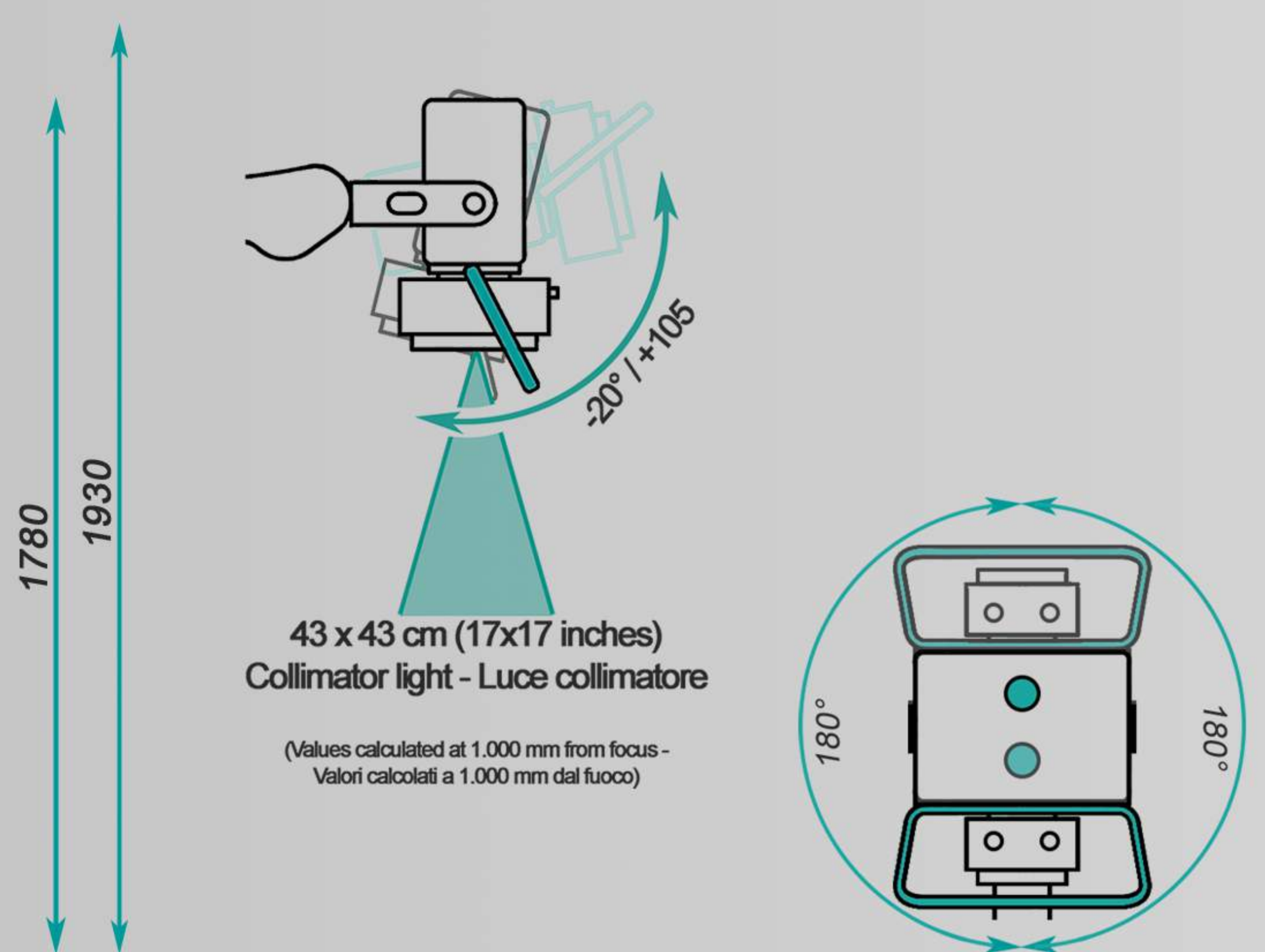
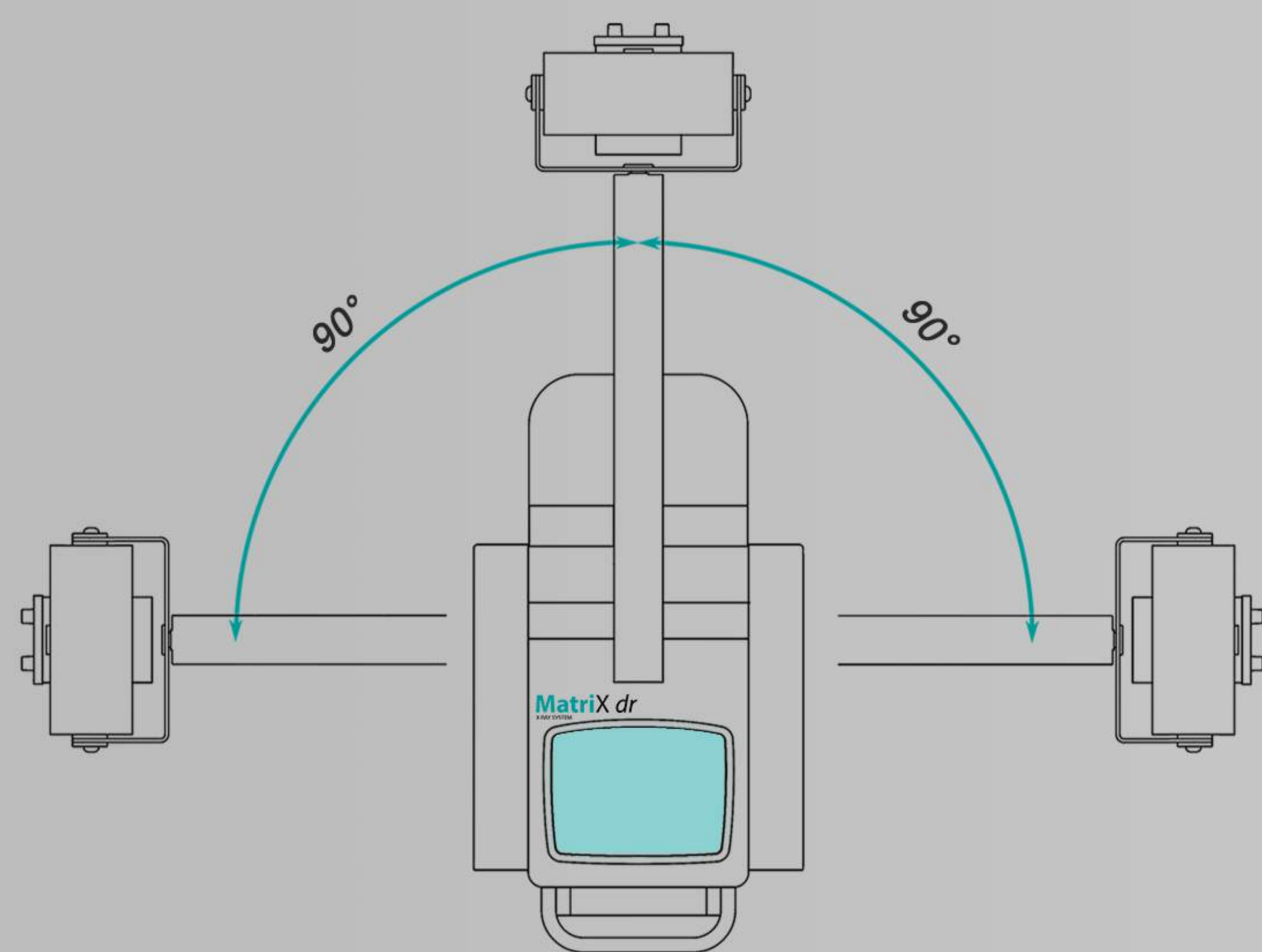
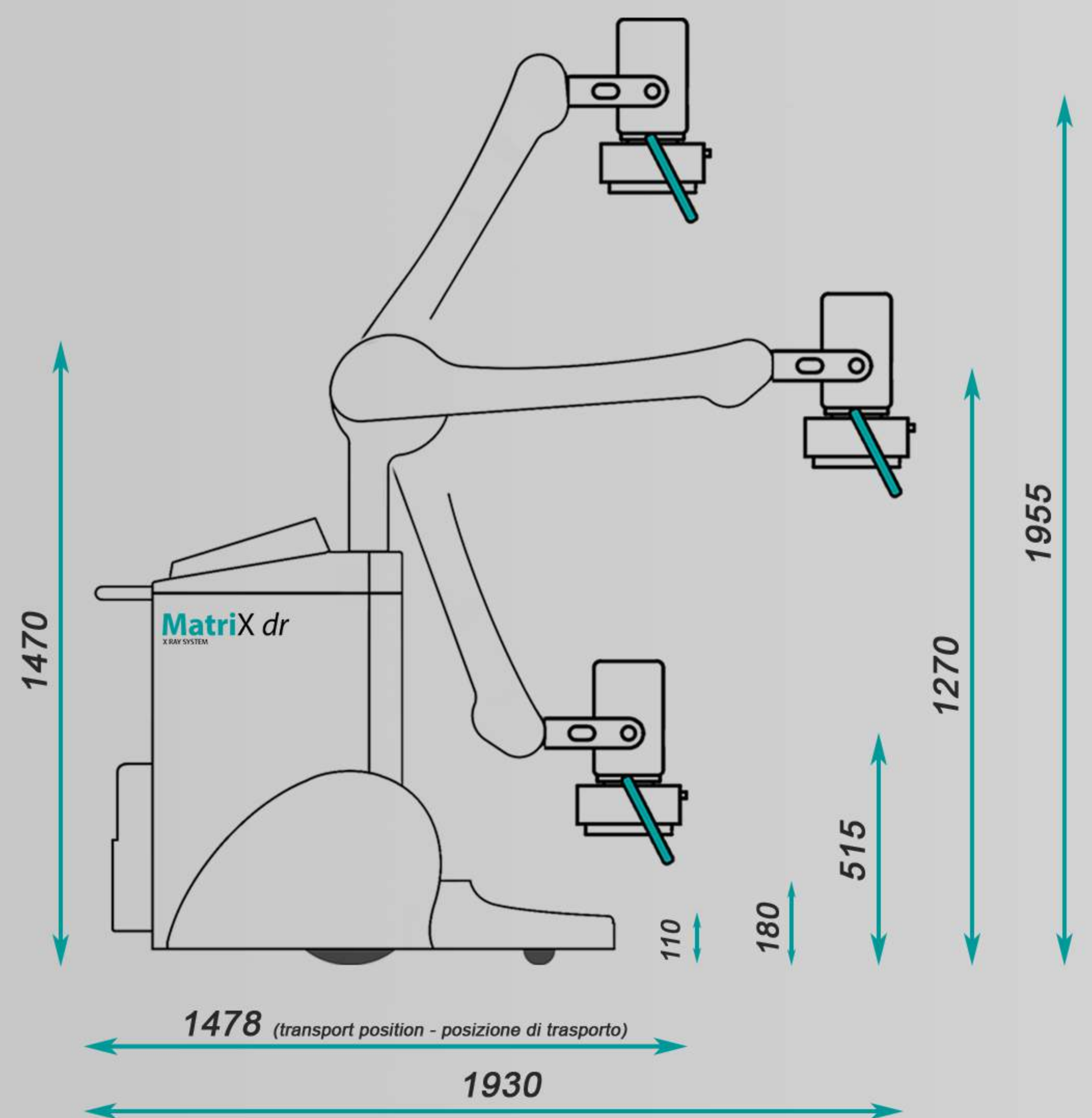
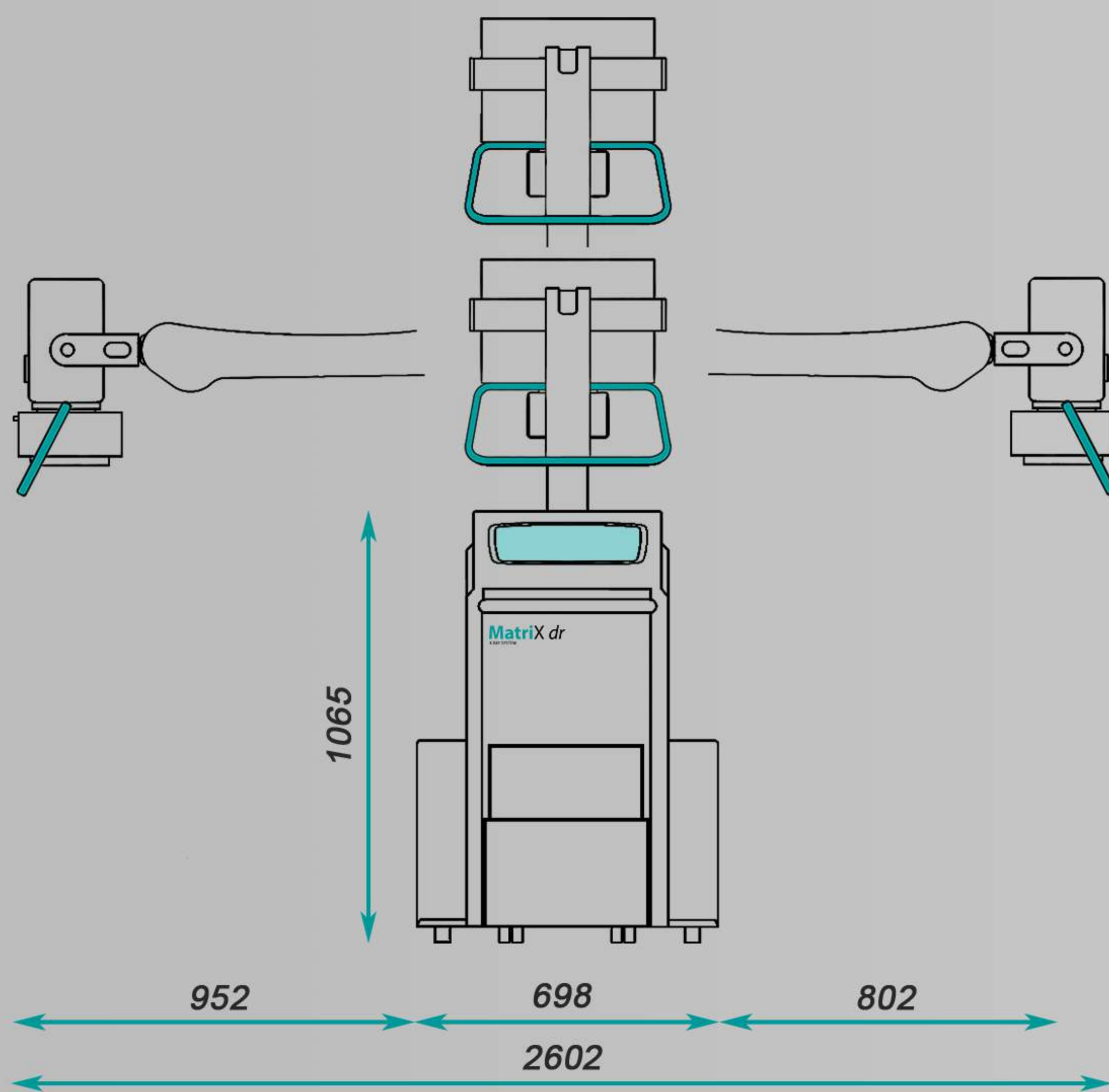
Dosimetric system

Matrix dr can be equipped with DAP; the dose values acquired by the dosimeter are recorded in the study and then matched to the patient via the DOSE-SR.



Matrix dr

X RAY SYSTEM



Technical features

Power:	32 kW
kV range:	40-125 kV
mAs range:	0,2-220 mAs (28 steps)
Focal Spot:	0,6-1,3 mm
Thermal cap. :	900 kJ - 1024 KHU
Power Supply:	230Vac \pm 10% 50/60 Hz

Matrix dr

Max mA:	400 mA
Frequency:	100 kHz
Monitor:	19" Touch screen
Acquisition time:	~ 3 seconds
Detectors format:	25x30-36x43-43x43cm
Dosimeter:	Optional

Specifications may change without prior notice



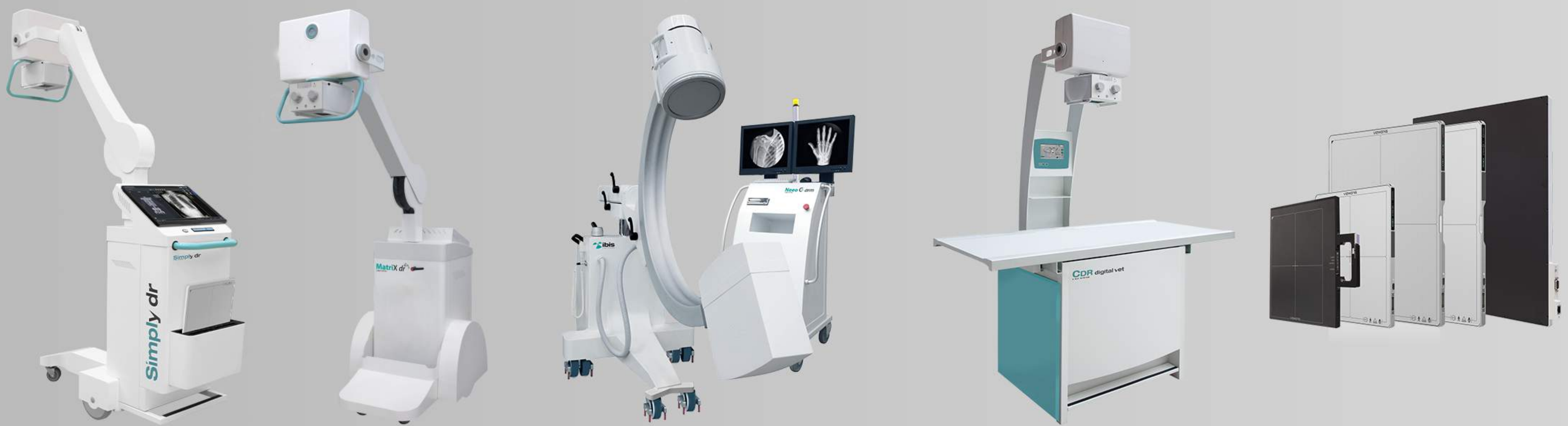
Matrix dr

X RAY SYSTEM

IBIS s.r.l. has been designing and producing medical equipment for radiology since 2001, maintaining high quality standards throughout the entire production process.

The company specializes in the production of mobile ward units, "C"-arms and veterinary radiological equipment.

The product range is completed with the distribution of portable x-ray systems for home use and with the range of digital detectors.



CE 0051



IBIS s.r.l.

Legal Office: Via Monte Grappa, 7 24121 Bergamo - Italy
Headquarter: Via Cascina Bruciata, 3 24068 Seriate, Bergamo - Italy
www.ibisray.it - info@ibisray.it - Tel.: 0039354236343