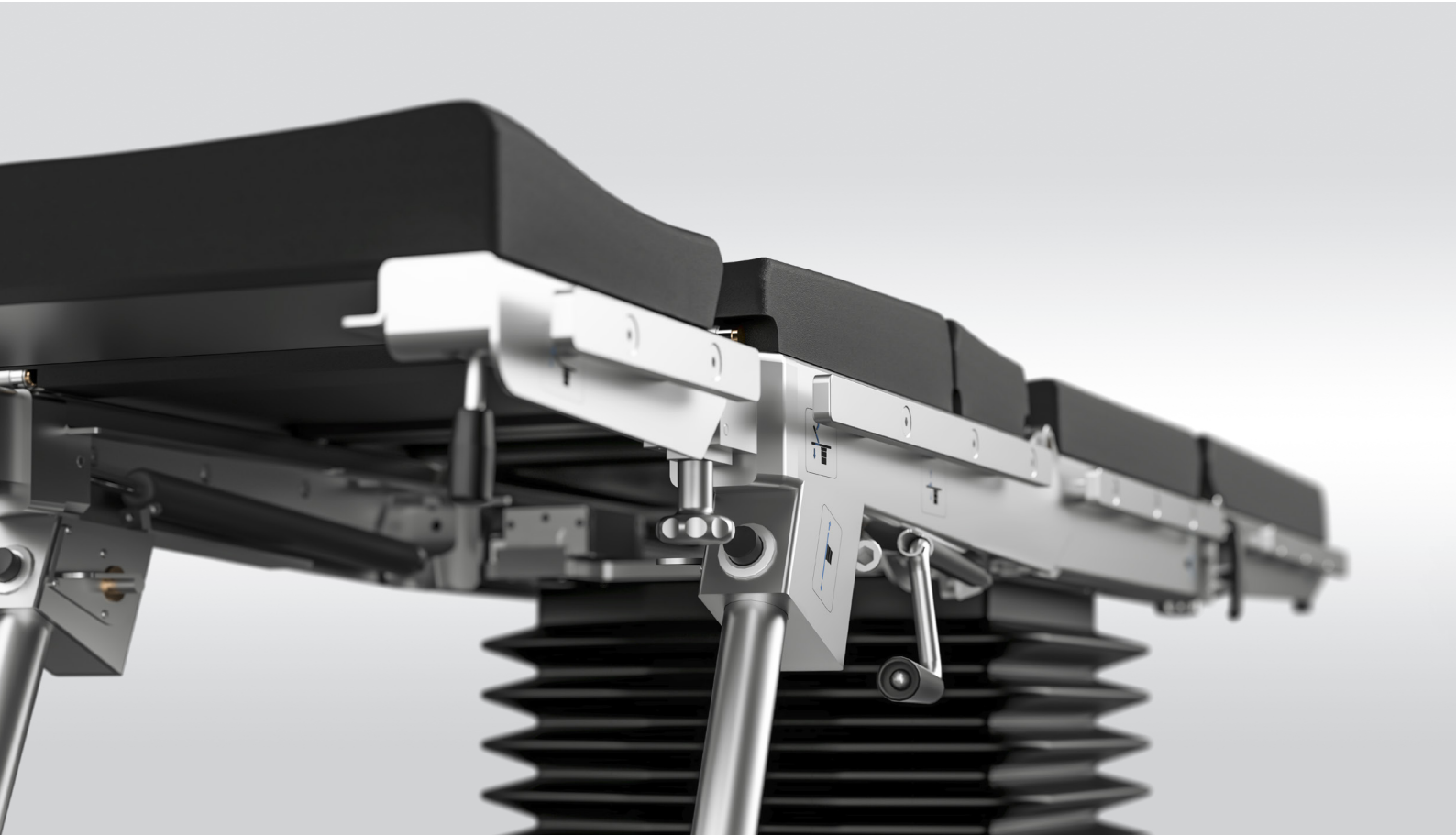




Operating Tables

FENIX OT-01

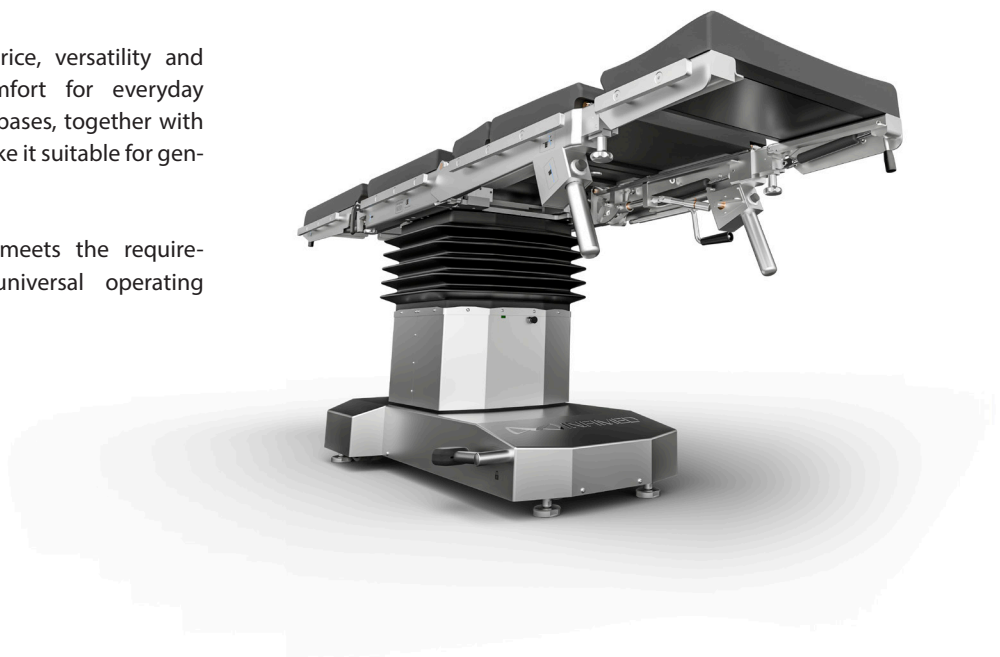
VIVAX OT-02



Quality
Cost Effectiveness
Versatility

Outstanding quality for reasonable price, versatility and functionality ensure operational comfort for everyday surgical work. Optional table tops and bases, together with wide range of additional accessories make it suitable for general and specialist surgical procedures.

Adjustment possibilities and ranges meets the requirements demanded by a modern universal operating tables.



OT-01 / OT-02



Operating table VIVAX with optional "Super mobile" base



Operating table VIVAX with standard "T" base

Design

Standard "T" base with 5 antistatic castors, (4 rear castors in 2 pairs and directional one in the front), with foot operated central brake.

Optionally available base "Super mobile" for enhanced manoeuvrability and better access to the operating field, thanks to 4 antistatic castors diam. 125 mm. Driving system with foot operated central brake and directional castor.

The elements of the table top, base and column covers are made of matt polished stainless steel, which makes the surfaces smooth and hygienic. The covers are impact resistant, easy to clean, prevent fluid ingress, minimizing infection risk.

High quality, ergonomically profiled, antistatic mattresses made of polyurethane foam of thickness 50 mm. Easy removable, with antibacterial protection, seamless, ensure maximum hygiene and prevent against cross contamination.

Table tops for general surgeries:



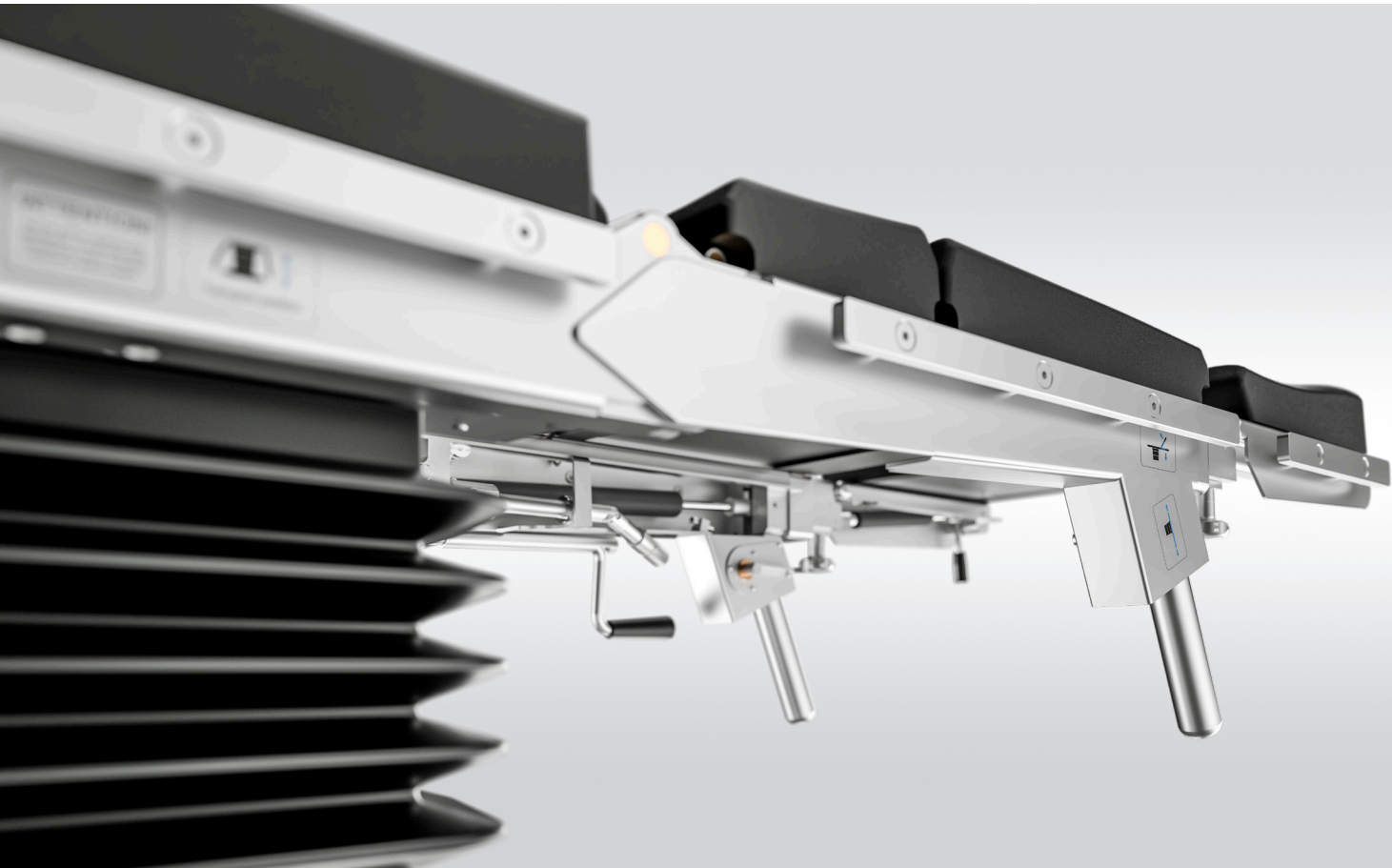
Modular table top



5 section table top



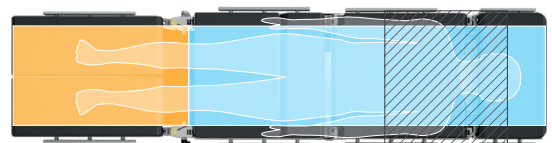
4 section table top



Imaging Flexibility

Multisectional (4,5 or 6 sectioned) table tops, full-length C-Arm radio translucent.

Superior imaging is ensured by full length X-ray cassette tunnel (except foot sections), with possibility of inserting the cassette from both sides, head rest and foot rests interchange and longitudinal slide (350 mm).



- X-ray cassette tunnel and access to C-arm
- Access to C-arm only
- Table column - no access to C-arm

Schemes description

Table top moved to the head side, interchanged head and foot sections

OT-01 / OT-02

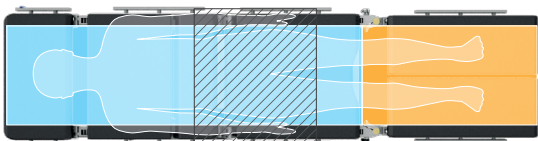


Table top moved to the foot side

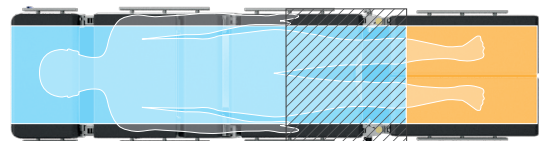


Table top moved to the head side



Trendelenburg position



Elevated backrest, lowered footrests position

Features

- Battery powered, with charger built-in the base.
- Unique software providing smooth and precise table movements.
- Superior electro- hydraulic system, with technical solutions of the world leading micro-hydraulics provider.

Controls

- Robust wire controller with visual battery level indication, ideal for simple, intuitive control (standard)
- Wire controller with LCD screen (option)
- Wireless controller (option)
- Sensor side control panel on the table column (option)
- LCD side control panel on the table column (option)
- Foot controller.
- Wall control panel (OPERA system).



INFIMED OPERA Control System



Wire controller



Wire controller with LCD screen

OT-02



Kidney bridge position



Beach chair position

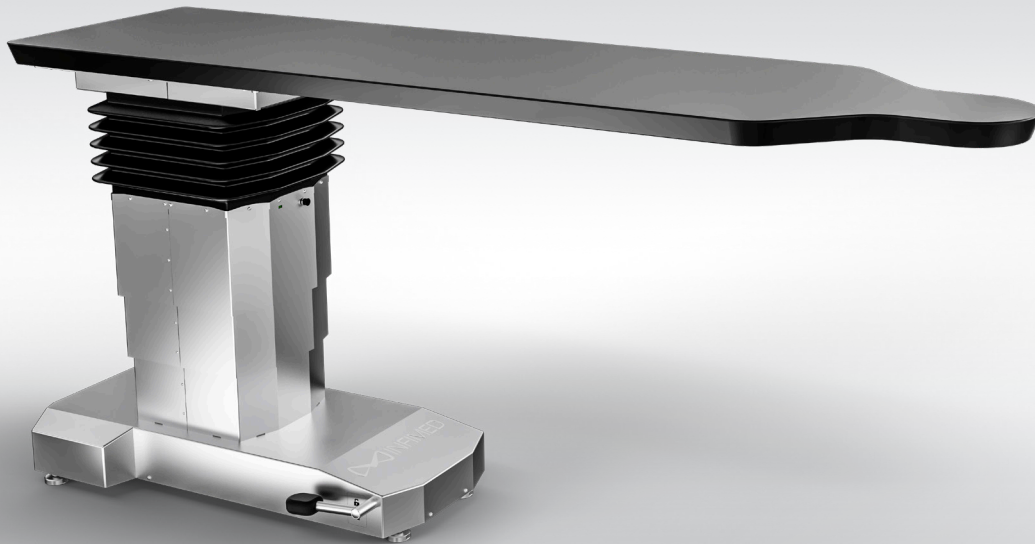
- Optional override control system, mechanic-hydraulic, used in case of corded hand control damage, failure of drive or main control system.
- Range of table movements controlled via electro-hydraulic drive:
 - Height adjustment,
 - Table top tilts: lateral and longitudinal (Trendelenburg and Rev- Trendelenburg),
 - Back rest section and kidney bridge (option),
 - Longitudinal slide (option)
 - Central brake (option).
- Adjustment angles of 40° Trendelenburg/ Rev Trendelenburg and and 30° tilt make it ideal solution for minimally invasive procedures.
- Range of table movements controlled mechanically or gas spring supported:
 - Backrest section and kidney bridge,
 - Footrest sections,
 - Headrest sections,
 - Longitudinal slide.



Sensor side control panel



LCD side control panel



Specialized angiography operating table VIVAX OT-02

Application:

Operations with simultaneous radiolucency of the operating field: intraoperative radiology and angiography, heart and vascular surgery.

Main Features:

- Standard "T" base with central brake.
- Carbon fibre table top, ensuring maximum X-ray transparency and unrestricted access for C-arm
- Range of table movements controlled via electro-hydraulic drive:
 - Height adjustment
 - Table top tilts: lateral and longitudinal (Trendelenburg and Rev-Trendelenburg)
 - Longitudinal slide (option)
 - Lateral slide (option)

- Range of table movements controlled mechanically or gas spring supported:

- Central brake

Controls

- standard wire controller
- joystick (option)



Joystick

OT-02



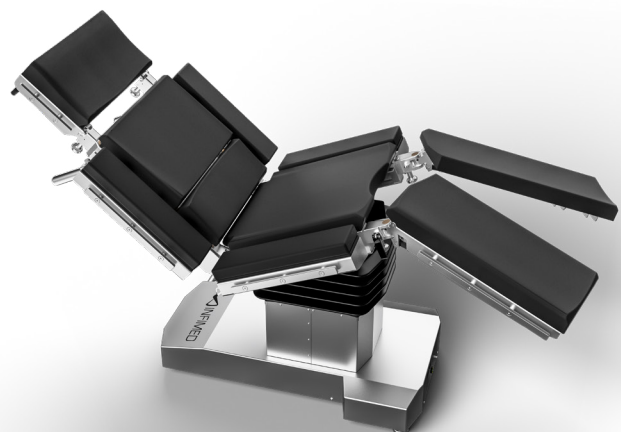
Specialized bariatric operating table VIVAX OT-02

Application: Bariatric operations of patients weighing up to 450 kg.

Main Features:

- Standard "T" base with central brake.
- Table-top with increased width, using special extensions, in order to support heavy patients.
- Range of table movements controlled via electro-hydraulic drive:
 - Height adjustment
 - Table top tilts: lateral and longitudinal (Trendelenburg and Rev-Trendelenburg)
 - Back rest section
 - Longitudinal slide
 - Kidney bridge (for 5,6 sections table-tops),
 - Central brake

- Range of table movements controlled mechanically or gas spring supported:
 - Foot rest sections
 - Head rest section





Specialized orthopaedic operating table VIVAX OT-02

Application: Orthopaedic, traumatology, shoulder surgeries.

Main Features:

- Standard "T" base with central brake.
- Table-top with fully detachable shoulder sections for unrestricted surgical access, with horseshoe headrest.
- Orthopaedic attachment fixed in place of the foot rest sections.
- Range of table movements controlled via electro-hydraulic drive:
 - Height adjustment
 - Table top tilts: lateral and longitudinal (Trendelenburg and Rev-Trendelenburg)
 - Back rest section and longitudinal slide (options)

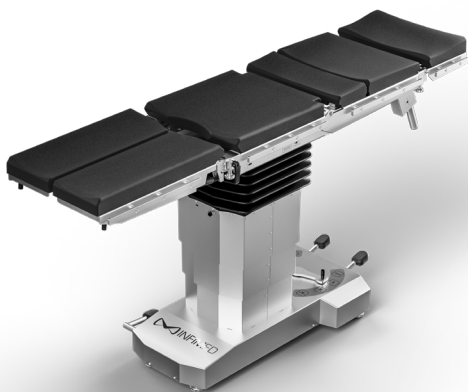
- Range of table movements controlled mechanically or gas spring supported:
 - Back rest section
 - Headrest section
 - Central brake





Features

- Powered by hydraulic system, operated via foot position selector and foot levers,
- Height and table top tilts adjustment available from head end enabling easy operation by the hospital staff







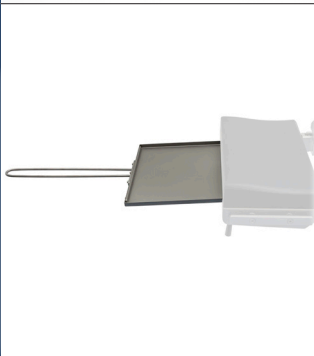



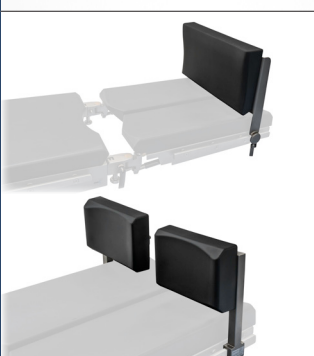




Controls



- Range of table movements controlled hydraulically:
 - Height adjustment,
 - Table top tilts: lateral and longitudinal (Trendelenburg and Rev-Trendelenburg).
- Range of table movements controlled mechanically or gas spring supported:
 - Back rest section and kidney bridge,
 - Footrest sections,
 - Headrest sections,
 - Longitudinal slide (option).

Examples of additional accesories for opearating tables *			
			
EB-01 One position clamp	EB-02 Multi position clamp	EB-03 Knee support	EB-04 Angle arm support
			
EB-05 Arm support	EB-06 Thigh holder	EB-07 Side-shoulder support	EB-08 Side support
			
EB-09 Anesthetic frame	EB-10 Anesthetic frame with adjustable width	EB-11 Infusion holder	EB-12 Hand/shank holder
			
EB-13 Support for meniscus operation	ES-01 Leg strap ES-02 Thigh strap	ES-03 Abdominal strap	ES-04 Hand/wrist strap

Additional Accesories

Examples of additional accesories for opearating tables *

			
ES-05 Gynecological bowl	ES-06 Urological bowl	ES-07 Holder for additional equipment	ES-08 Holder for arm operations
			
ES-09 Holder for tubes	ES-10 Tray for additional accessories	ES-11 X-ray tray	ES-12 Chest support
			
ES-13 Attachment for knee operations	ES-14 Pubic support	ES-15 Leg support, not-divided ES-21 Leg support, divided	ES-16 Proctological attachment
			
ES-20 Side extension for bariatric tabletop	EN-01 Specialistic head rest with adjustable track	EN-02 Specialistic head rest, horseshoe	DORO neurosurgical attachment

Examples of additional accesories for opearating tables *			
			
EO-01 Orthopaedic attachment with two extension devices and support roll		EO-02 Bar suport	EO-03 Leg support
	 		
EO-04 Support for plastering	EO-05 Heel holder EO-06 Foot support	EO-07 Clamp for orthopaedic attachment supports	EO-08 Knee operation attachment for orthopedic attachment
			
EO-09 Hip support for lateral decubitus position	EO-10 Support for orthopedic attachment arms	EO-11 Knee support for side positions	EO-12 Trolley for installation of orthopedic attachment
			
EO-13 Mobile stand for orthopedic accesories	EO-14 Leather shoes for orthopedic attachment	EO-20 Attachment for hand operating	EO-30 Attachement for shoulder operations with head rest EN-02

Technical parameters

Technical parameters of operating tables INFIMED VIVAX	OT-02 standard	OT-02 angiography version	OT-02 bariatric version
Total length of the table with 4, 5 sections, modular, orthopedic and bariatric table tops	2100 mm	----	2100 mm
Total length of the table with 6 sections table top	2300 mm	----	2300 mm
Total length of the table carbon fibre table top	----	2200 mm	----
Table top width (without / with side rails)	500 mm / 560 mm	600 mm	800 mm/ 860 mm **
Standard height adjustment, with mattress 50 mm (electro-hydraulic)	730 mm – 1080 mm	----	730 mm – 1080 mm
Extended height adjustment, with mattress 50 mm (electro-hydraulic)	700 mm – 1150 mm	----	700 mm – 1150 mm
Height adjustment, without mattress (electro-hydraulic), with longitudinal and lateral slide	----	800 mm – 1150 mm	----
Height adjustment, without mattress (electro-hydraulic), with longitudinal slide	----	730 mm – 1080 mm	----
Height adjustment, without mattress (electro-hydraulic), fixed	----	660 mm – 1010 mm	----
Lateral tilts adjustment (electro-hydraulic)	± 30°	± 20°	± 30°
Trendelenburg / reverse-Trendelenburg adjustment (electro-hydraulic)	± 40°	± 20°	± 40°
Backrest adjustment (pneumatic)	- 45° ; +85°	----	----
Optional backrest adjustment (electro-hydraulic)*	- 35° ; +85°	----	- 35° ; +85°
Footrest adjustment (pneumatic)	- 90° ; +25°	----	- 90° ; +25°
Footrest abduction (mechanic)	180°	----	180°
Headrest adjustment (pneumatic)	± 45°	----	± 45°
Kidney bridge adjustment (mechanic) Optional kidney bridge adjustment (electro-hydraulic)*	~120 mm	----	~120 mm
Longitudinal slide (mechanic) Optional longitudinal slide (electro-hydraulic)*	350 mm	350 mm	350 mm
Lateral slide (electro-hydraulic)*	----	210 mm	----
Table mass	280 kg +/- 10%	280 kg +/- 10%	2.... kg +/- 10%
Maximum dynamic / static working load	250 / 300 kg	250 kg	450 / 540 kg
Built in battery power Built in charger power	24 V 230V ~ 50/60Hz	24 V 230V ~ 50/60Hz	24 V 230V ~ 50/60Hz
Working time between battery charging	Up to 65 operations	Up to 65 operations	Up to 65 operations
Lifetime	10 years	10 years	10 years
Degree, class of protection, application part type	IP-X4 / I / B	IP-X4 / I / B	IP-X4 / I / B
Technical parameters of operating tables INFIMED FENIX	OT-01		
Total length of the table with 4 and 5 sections tabletop	2100 mm		
Total length of the table with 6 sections tabletop	2300 mm		
Table top width (without / with side rails)	500 mm / 560 mm		
Standard height adjustment (hydraulic), with mattress 50 mm	680 mm – 1030 mm		
Height adjustment (hydraulic), longitudinal slide, with mattress 50 mm	730 mm – 1080 mm		
Lateral tilts adjustment (hydraulic)	± 30°		
Trendelenburg / reverse-Trendelenburg adjustment (hydraulic)	± 40°		
Backrest adjustment (pneumatic)	- 45° ; +85°		
Footrest adjustment (pneumatic)	- 90° ; +25°		
Footrest abduction (mechanic)	max 180°		
Headrest adjustment (pneumatic)	± 45°		
Kidney bridge adjustment (mechanic), available in 5 or 6 section tabletop	~120 mm		
Optional longitudinal slide (mechanic)	350 mm		
Table mass	250 kg		
Maximum dynamic / static working load	200 /250 kg		

* additional options

** width including side extension for bariatric tabletop ES-20



**European
Funds**
Smart Growth



Polska

European Union
European Regional
Development Fund



For special requirement of the customer it is possible to produce the product with changed technical parameters which do not diminish its safety.

The details given in this catalogue are correct at the time of going to press. Infimed Sp. z o.o., however, reserves the right to improve shown equipment.

adres INFIMED Sp. z o.o.
ul. Kabaty 1,
34-300 Żywiec,
Polska
tel/fax +48 33 861 40 96
email office@infimed.pl
www www.infimed.pl

NIP 553-251-29-67
REGON 243274947
KRS 0000463933

Sąd Rejonowy w Bielsku-Białej, VIII Wydział
Gospodarczy Krajowego Rejestru Sądowego.
Wysokość Kapitału Zakładowego: 500 000 PLN

bank Bank Spółdzielczy
w Węgierskiej Górcie
SWIFT POLUPLPR

78 8131 0005 0016 2492 2000 0010 PLN
PL02 8131 0005 0016 2492 2000 0020 EUR
PL23 8131 0005 0016 2492 2000 0030 USD



www.infimed.pl