

Technical Summary Sheet

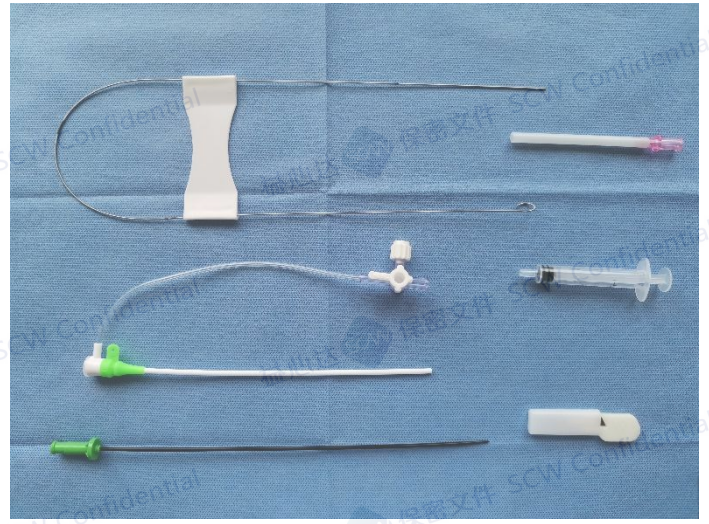
Reference: 42.09.20007

Description: 6F*23CM

Content / Material Summary

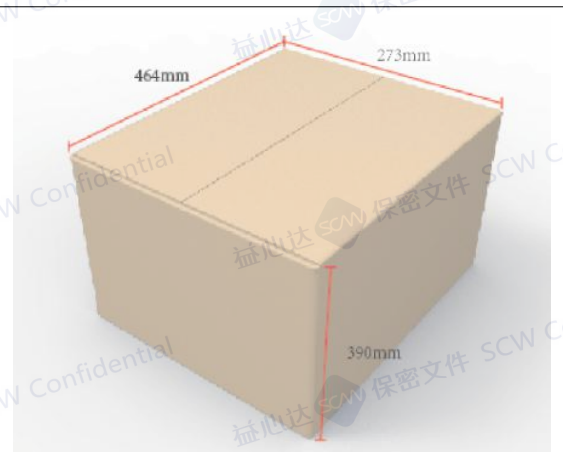
Photo

Component	Specification	Qty/Unit
Introducer sheath	6Fr \times 23cm	1
Dilator	6Fr \times 28cm	1
Introducer needle	18G \times 6.5cm	1
Scalpel	11#	1
Guide wire	0.038 " \times 60cm J	1
Syringe	2.5ML	1



Packaging

Attribute	Material / Detail
Blister box	TYVEK paper and Blister box
Quantity / Case	40 (4 Inner boxes of 10)
Approx. Weight / Case	4kg
Shipper Dimensions	464*390*273mm
Sterilant	ETO





Introducer Sets



Model:

-
-
-
-

Contents

- Introducer Sheath : _____
- Guidewire : _____
- Introducer Needle : _____

Caution : Damage to guide wire may result if withdrawn through introducer needle. Introducer needle must be removed first



SCW MEDICATH LTD.

ADD: No. 4, Baolong 6th Road, Baolong Industrial Town, Longgang District, Shenzhen 518116 Guangdong China

TEL: (86)755-89312160/89312258

FAX: (86)755-89312239

EMAIL: sales@scwmed.com

EC REP OBELIS S.A.

ADD: Bd. Général Wahis 53, 1030 Brussels, Belgium

