



博创锁业
BOCHUANG SEAL

SHANDONG BOCHUANG SEAL CO.,LTD

+86 0531 82028971

+86 15553177853

2881383720

<http://www.bcseals.com>

sdbochuang@bcseals.com

Xuyuanzi Industry Zone Qingyun county Dezhou city shandong province China



博创锁业
BOCHUANG SEAL

BOCHUANG SEAL



Our mission is not only provide
high-quality products, but a promise for
the high security of protecting customers' goods.

SHANDONG BOCHUANG SEAL CO.,LTD

Unsurpassed Quality, Dependable Security Seal



<http://www.bcseals.com>

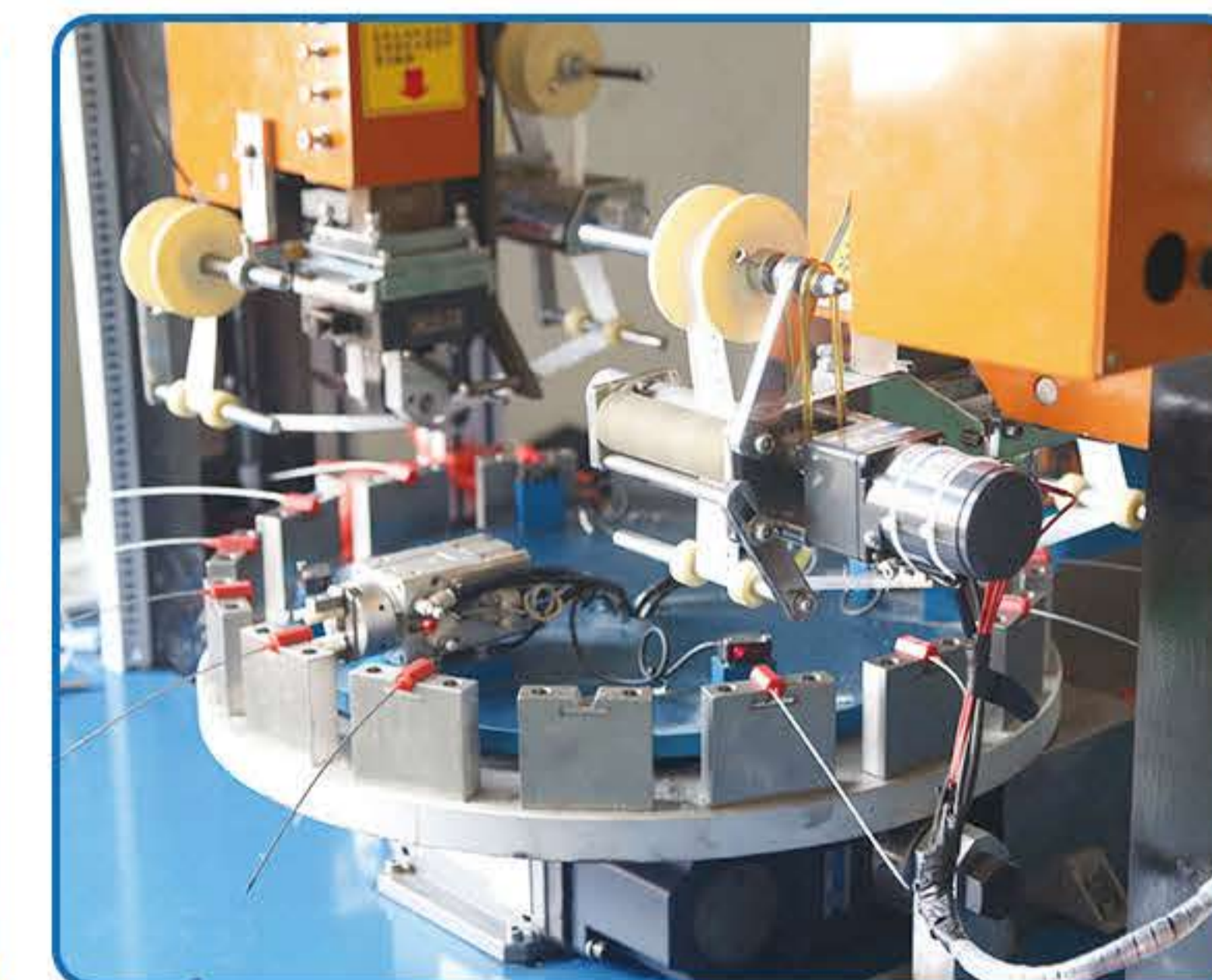


COMPANY PROFILE

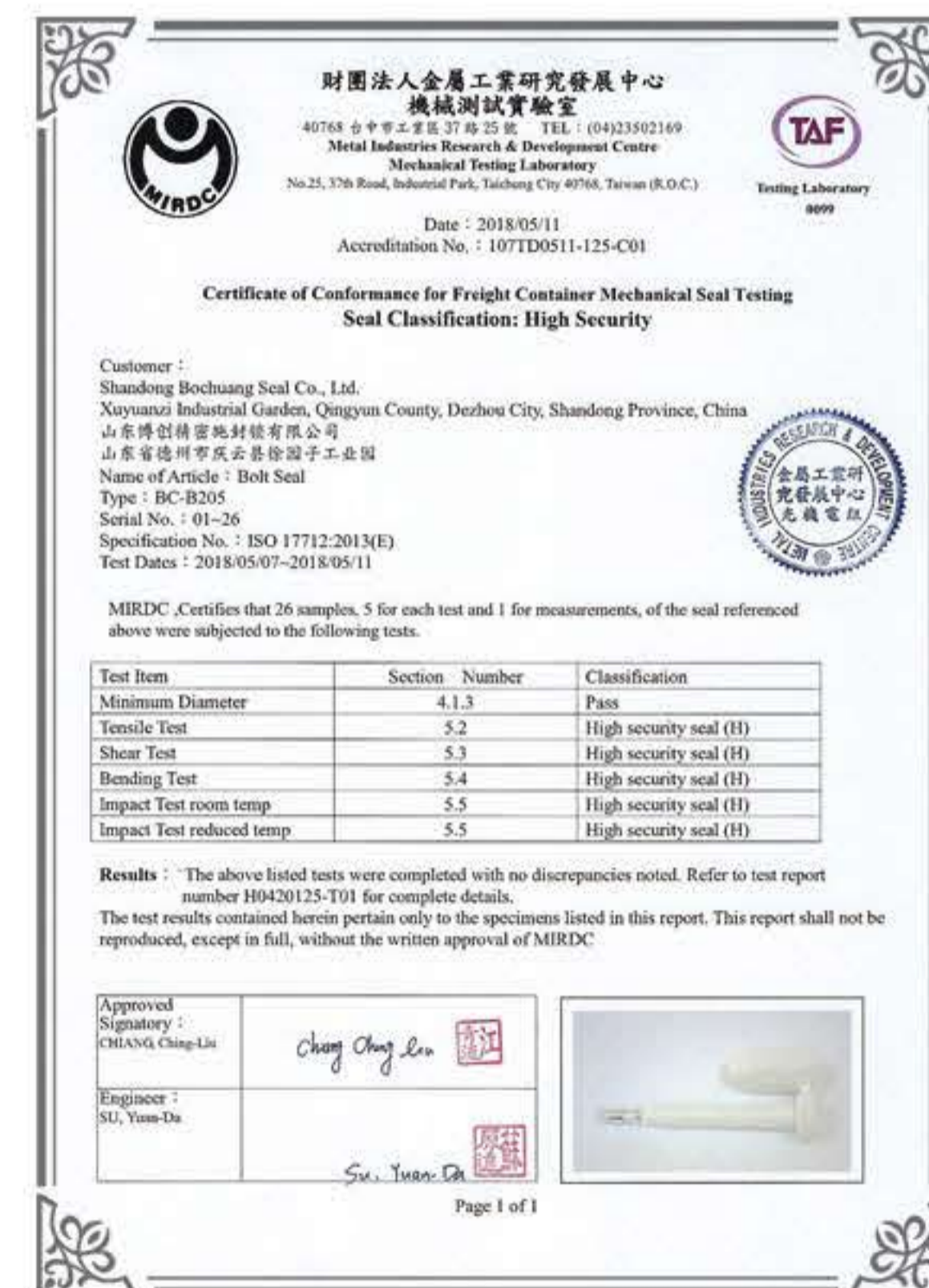
Shandong Bochuang Seal Co.,Ltd was founded in 2014, and we take responsibility for promoting the development of intelligent logistics and providing professional system of logistics property security solutions and products. After years of deep development of Bochuang Seal, it has been a domestic professional manufacturer of one-time use seals. Our company has our own factory which floor

area is more than 16,000 square meters, and has more than 300 professional equipments. Our company is a comprehensive, high-level automated large-scale manufacturing enterprise integrating research and development, design, production and sales.

Bochuang adhere to the full implementation of professional management since it established, so that we built a high-level research and development group. In addition, on the way of Bochuang has been becoming one of the most competitive seal companies, we introduced a plenty of international advanced equipment and technology, and hold both technology and and service as our two core advantages.



CERTIFICATION



CONTENTS 目录

- 01/02 Bolt Seal
- 03/06 Plastic Seal
- 07/08 Cable Seal
- 09/10 Meter Seal
- 11/12 Padlock Seal
- 13/14 Metal Seal
- 15/16 Animal Ear Tag / Cable Tie
- 17/18 Application



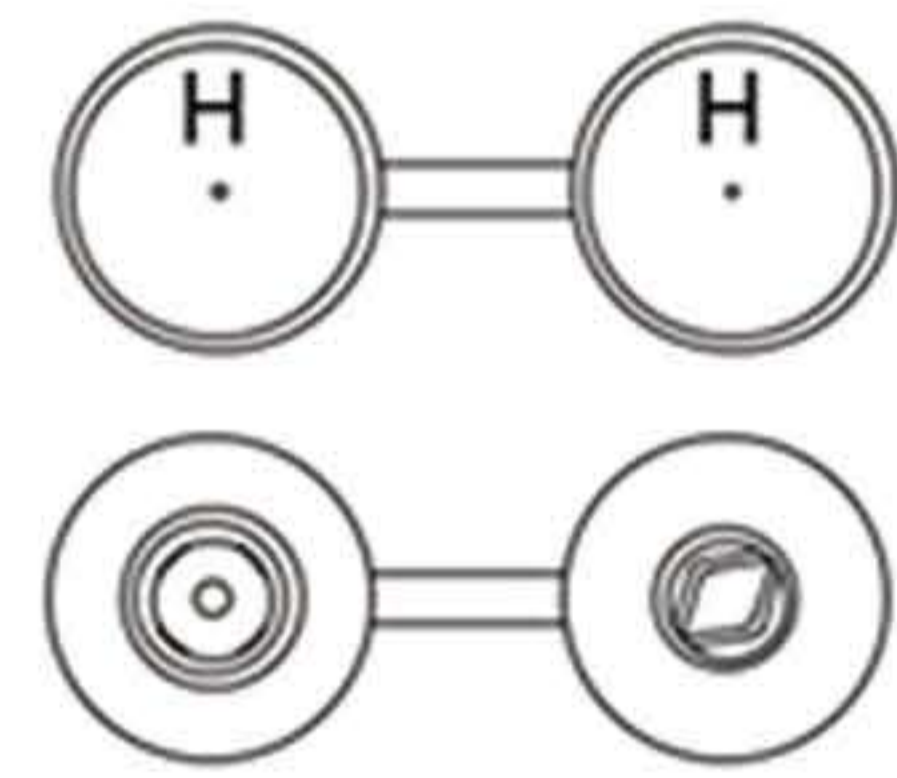
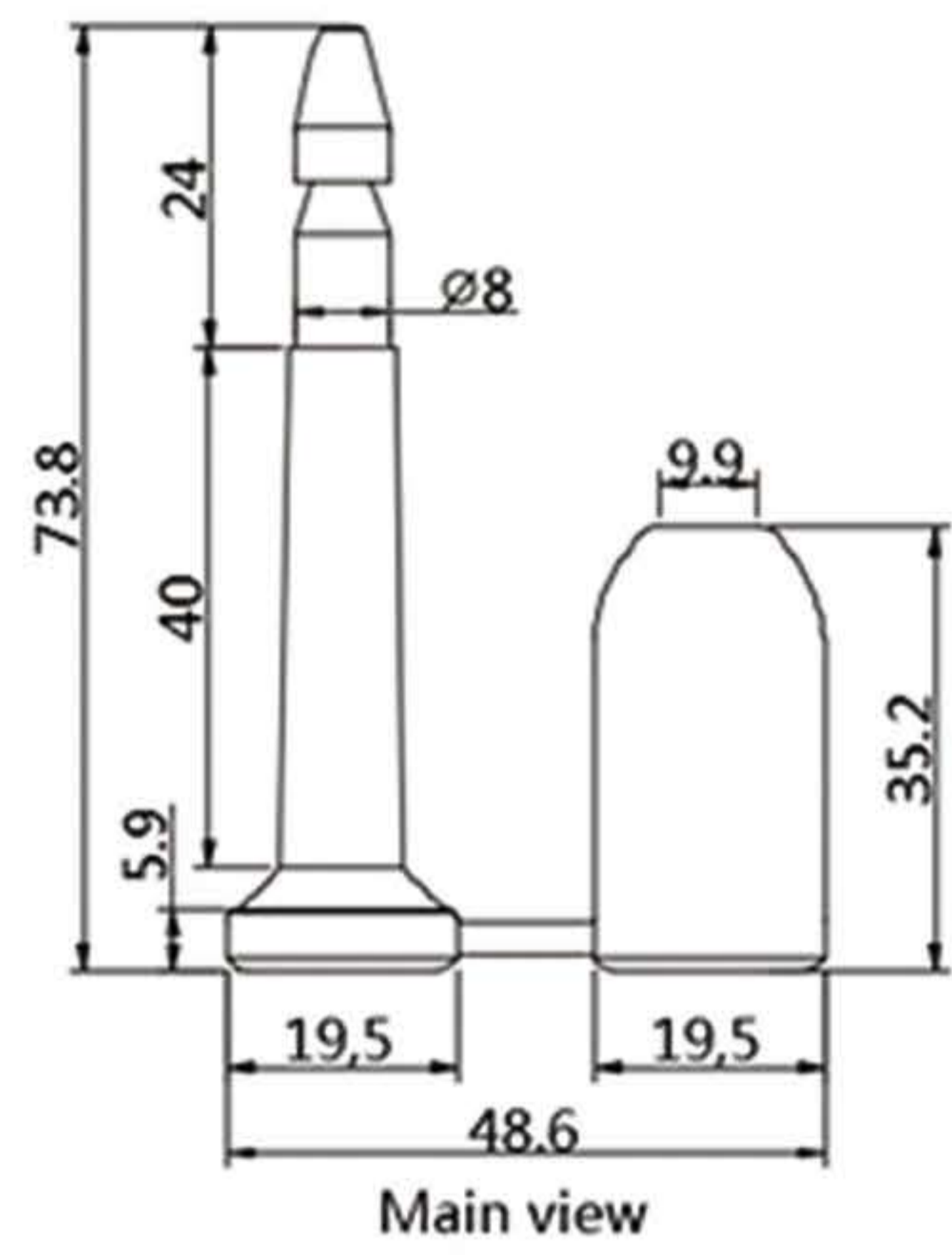
博创锁业
BOCHUANG SEAL

SHANDONG BOCHUANG SEAL CO.,LTD

Bolt Seal



Number: BC-B101
 Diameter: 8mm
 Material: ABS, Q235A Low-carbon steel
 Color: yellow,white,blue,green,red,orange and so on
 Laser printing : customized logo,serial number,bar code,etc
 Application: container, trailer, tanker,shipping, rail transport, logistics freight, safe, lockers, etc.



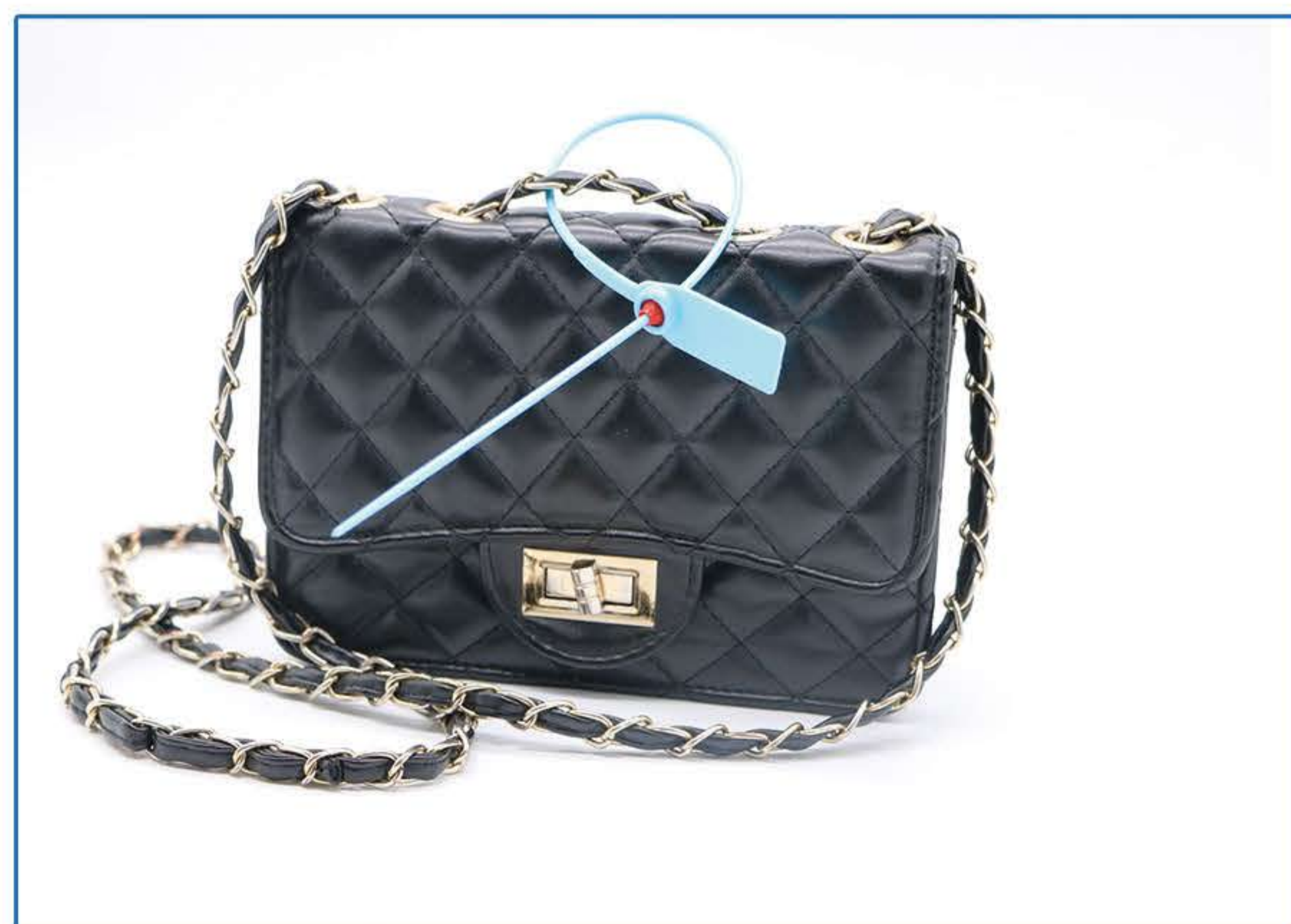
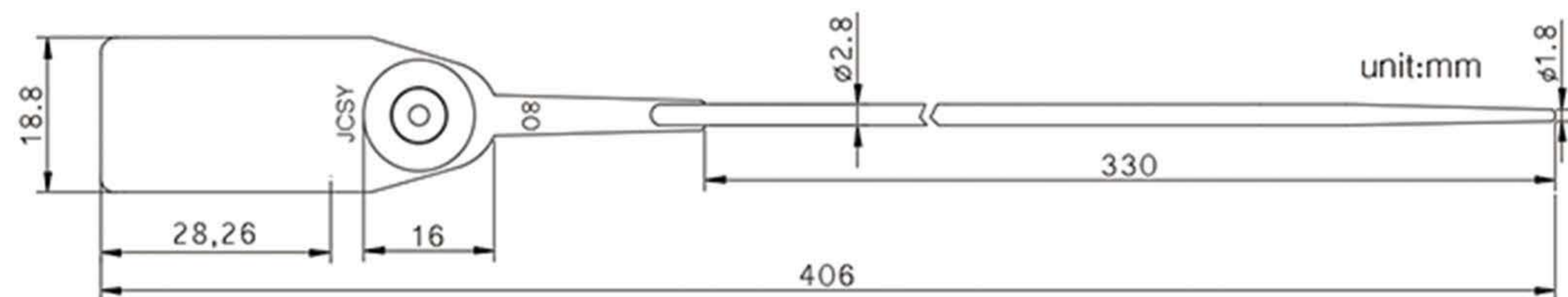
Top view unit:mm



Plastic Seal



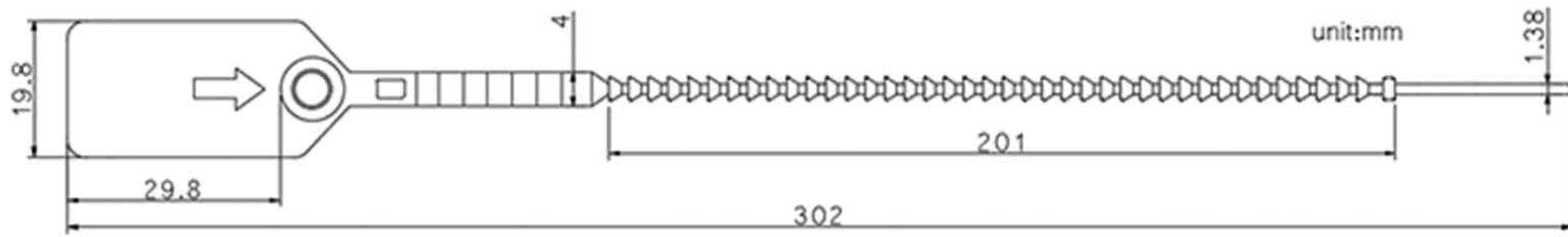
Number: BC-P401
 Diameter: 3mm
 Material: PP+PE, #65 manganese steel/304Stainless steel
 Color: yellow, white, blue, green, red, orange and so on
 Laser printing : numbers, letters, mark, bar codes
 Application: express, logistics, catering, hospital, post



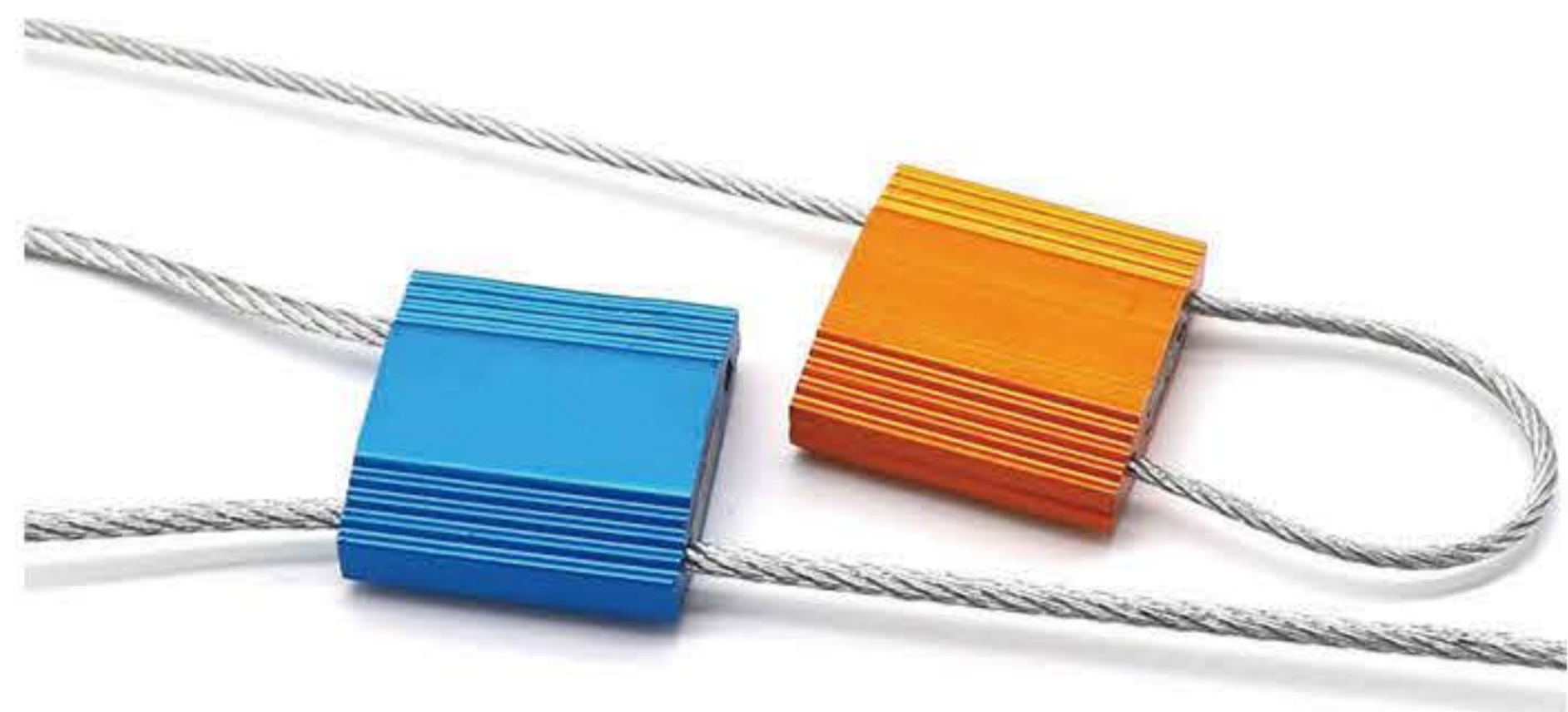
Plastic Seal



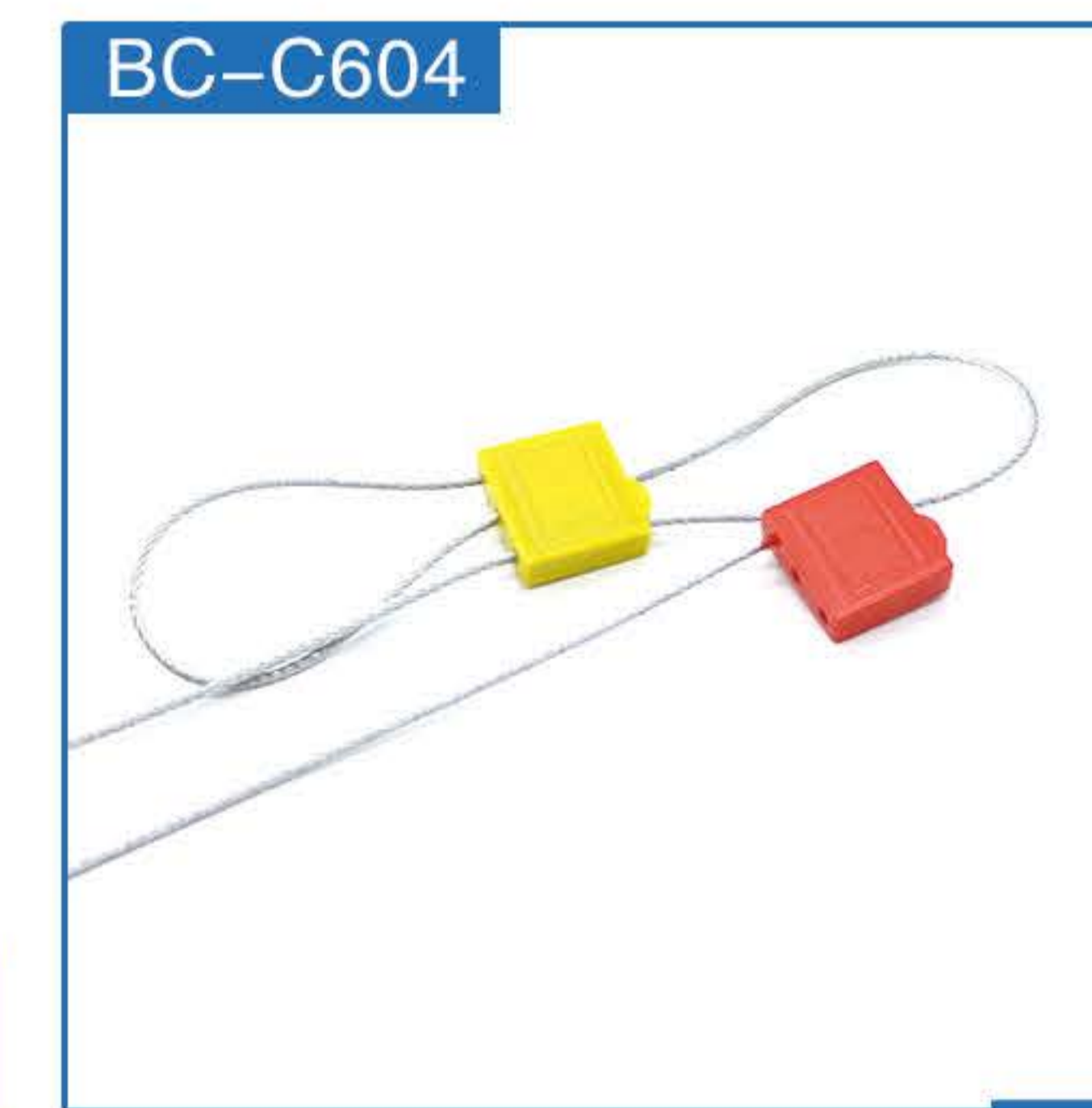
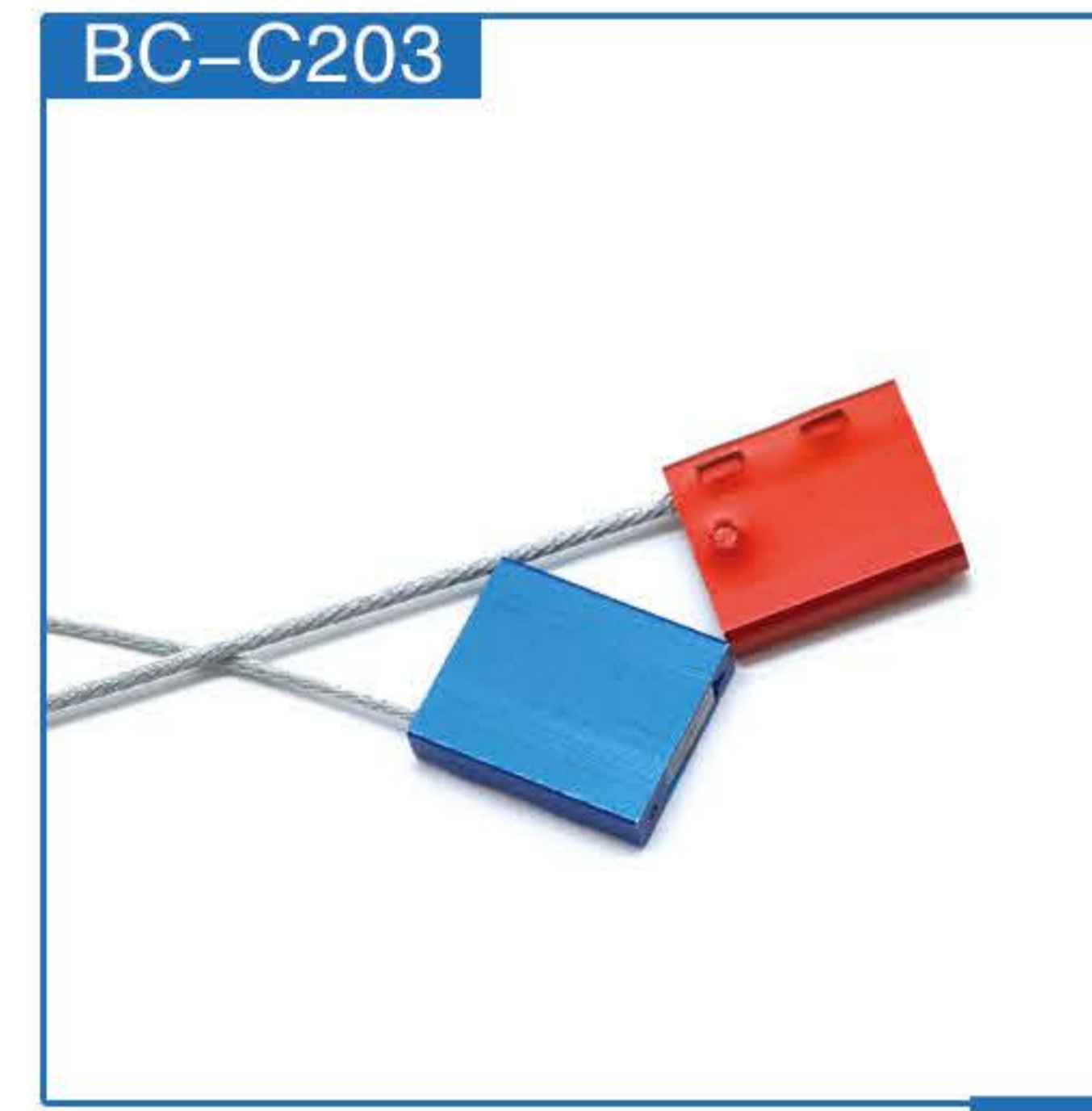
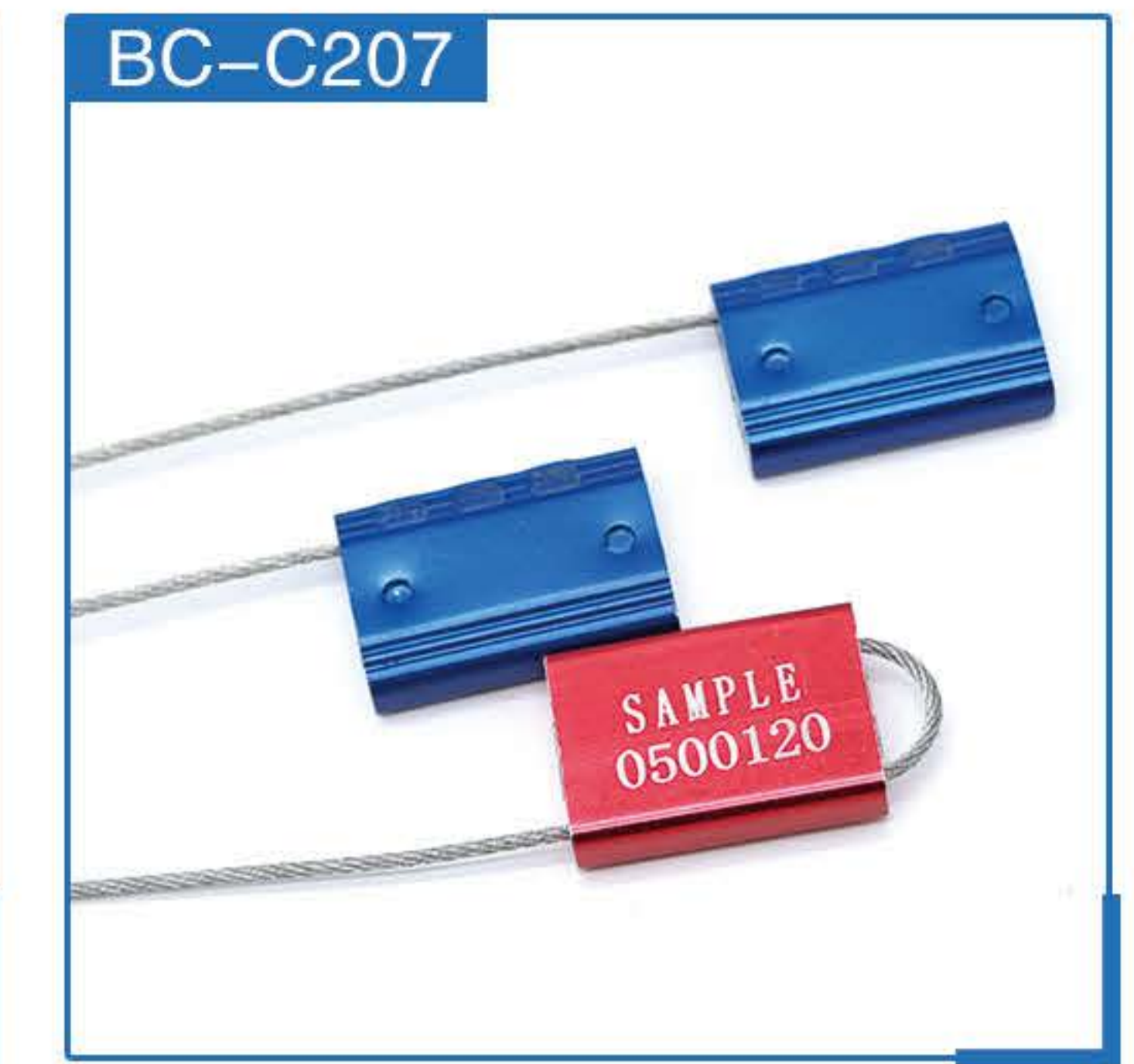
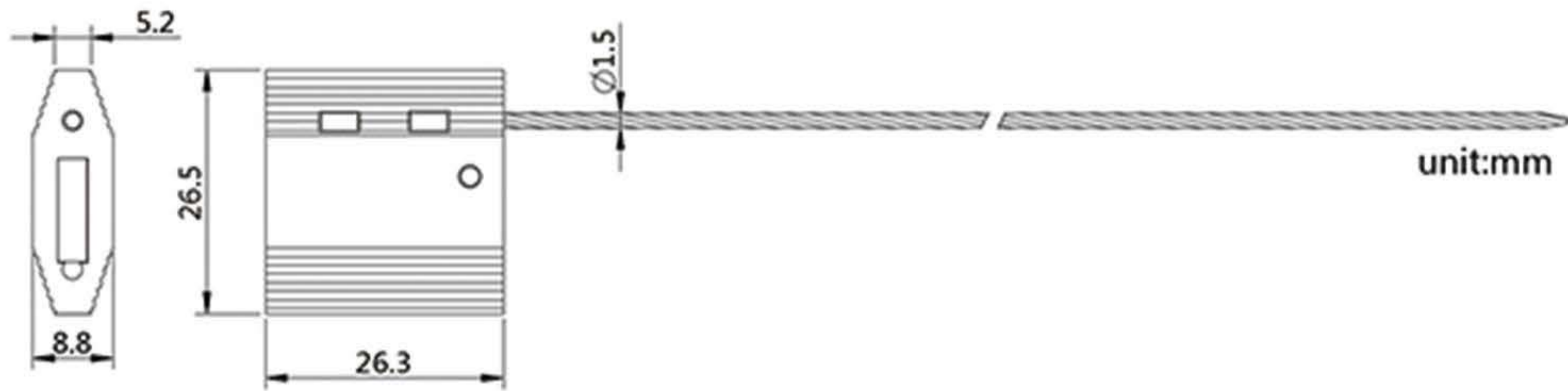
Number: BC-P501
 Diameter: 3mm
 Material: PP+PE
 Color: yellow,white,blue,green,red,orange and so on
 Laser printing : numbers,letters,mark,bar codes
 Application: seal for fire extinguisher



Cable Seal



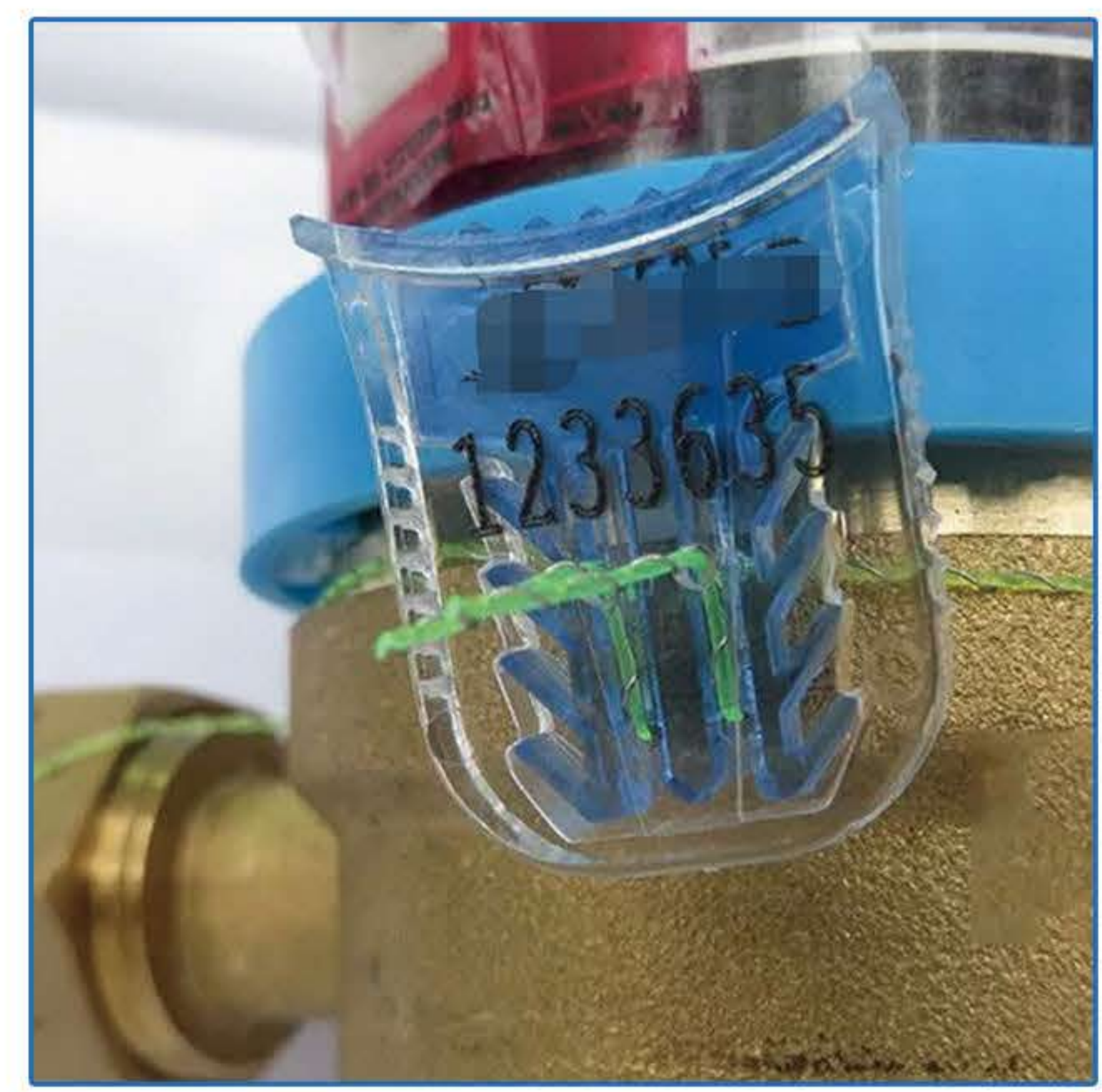
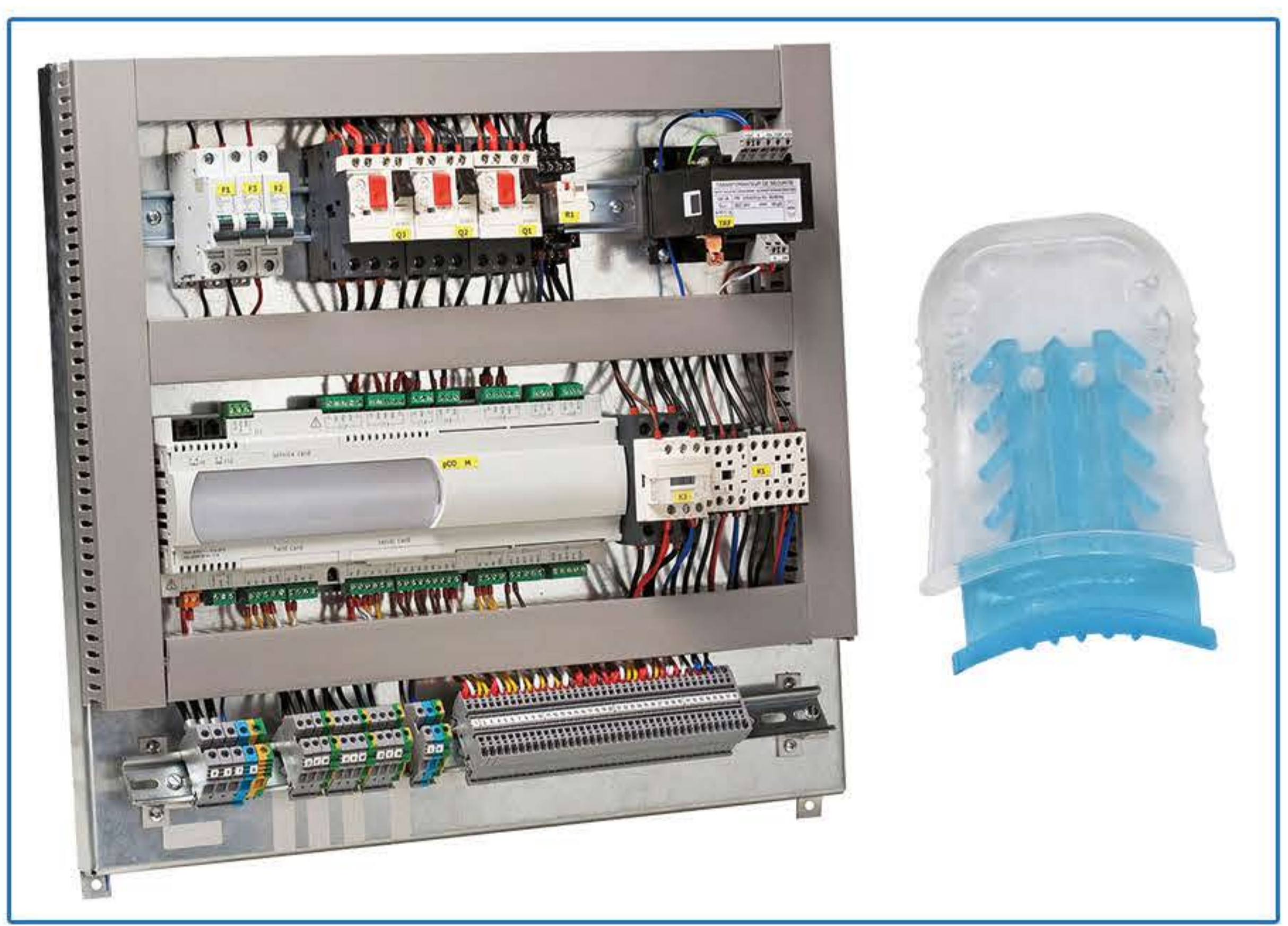
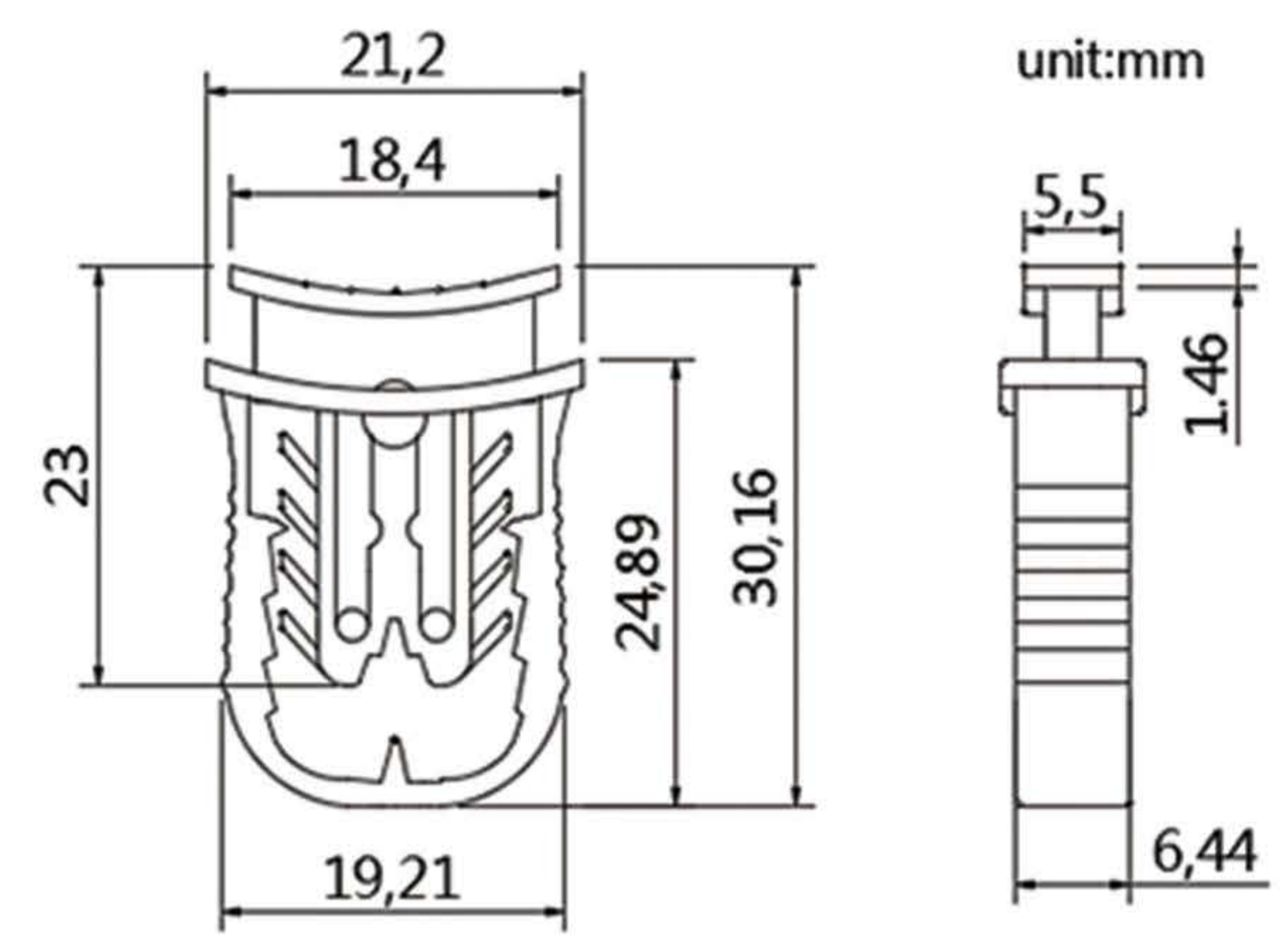
Number: BC-C201
 Diameter: 1.5mm,1.8mm,2.5mm,3.5mm,5.0mm
 Material: Aluminium alloy,A3 wire rope
 Color: red, yellow,orange,blue,green and so on
 Laser printing : numbers,letters,mark,bar codes
 Application: supermarkets, oil, containers,railway containers, meter boxes, bank purses and so on



Meter Seal



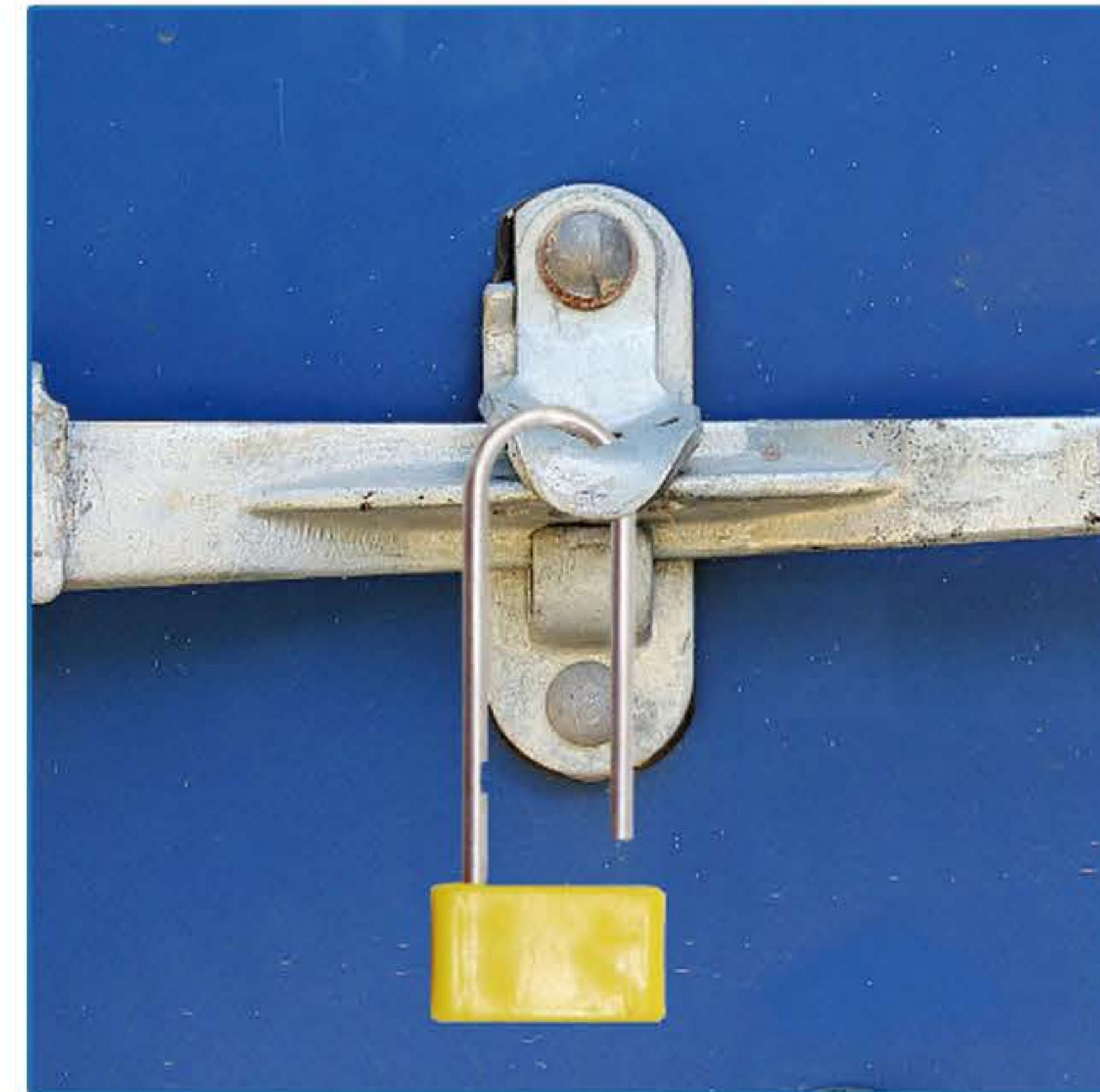
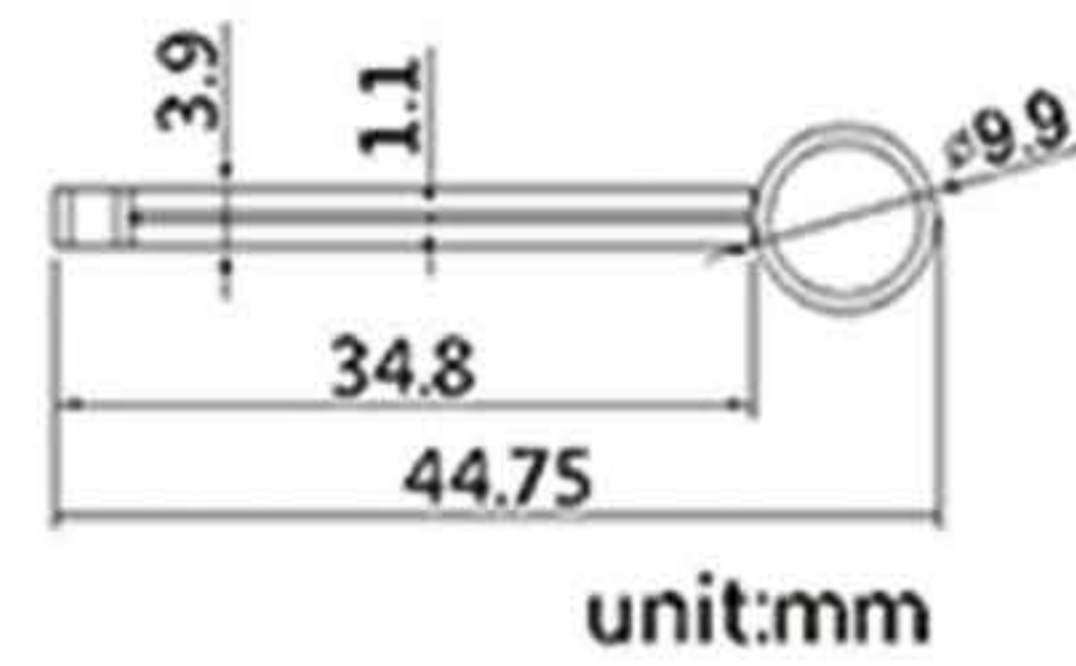
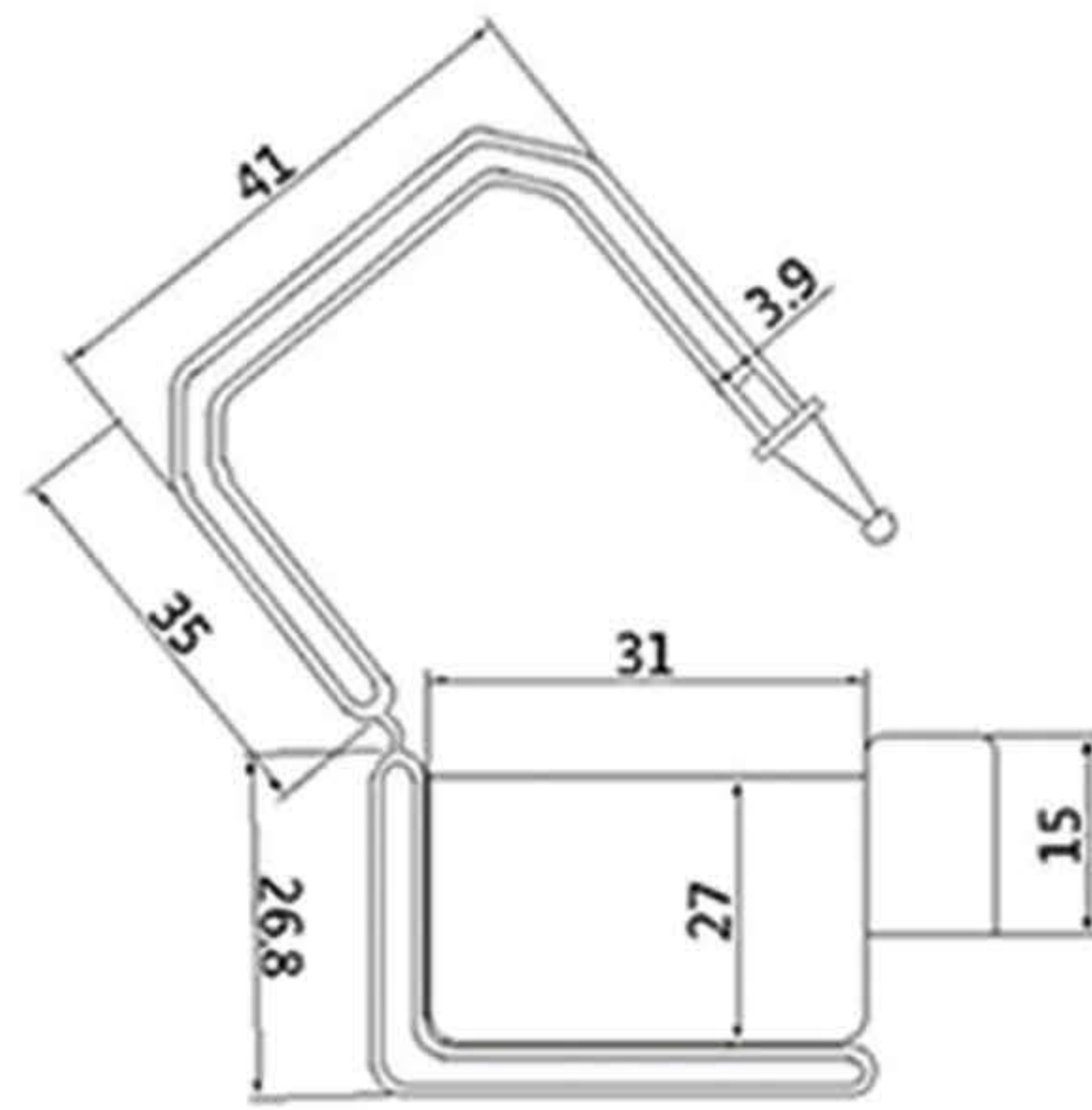
Number: BC-M102
 wire diameter: 0.68mm
 Material: PC+ABS
 Color: red, yellow,orange,blue,green and so on
 Laser printing : numbers,letters,mark,bar codes
 Application: electric meter,water meter, gas tank, container, postal



Plastic Padlock



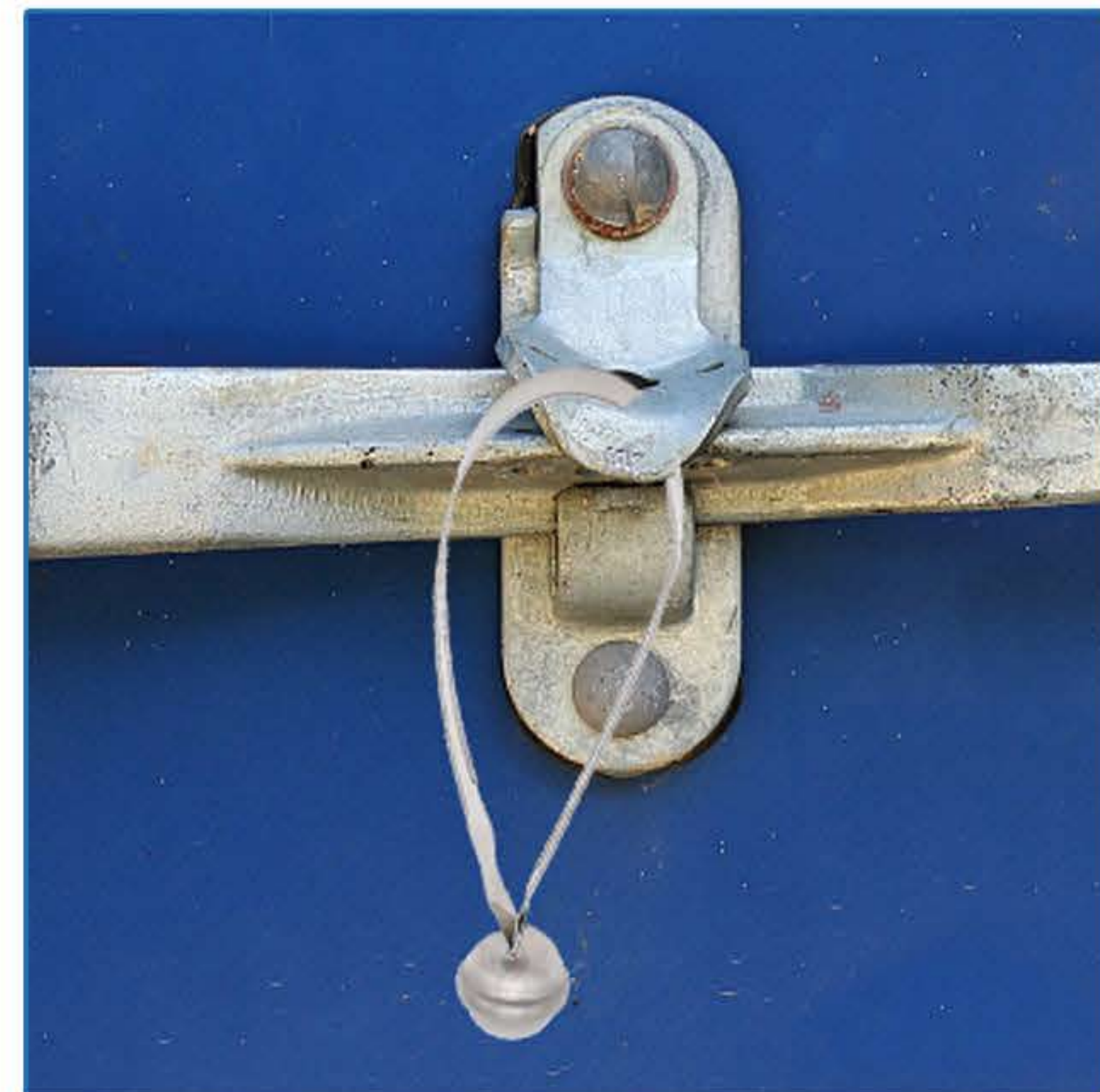
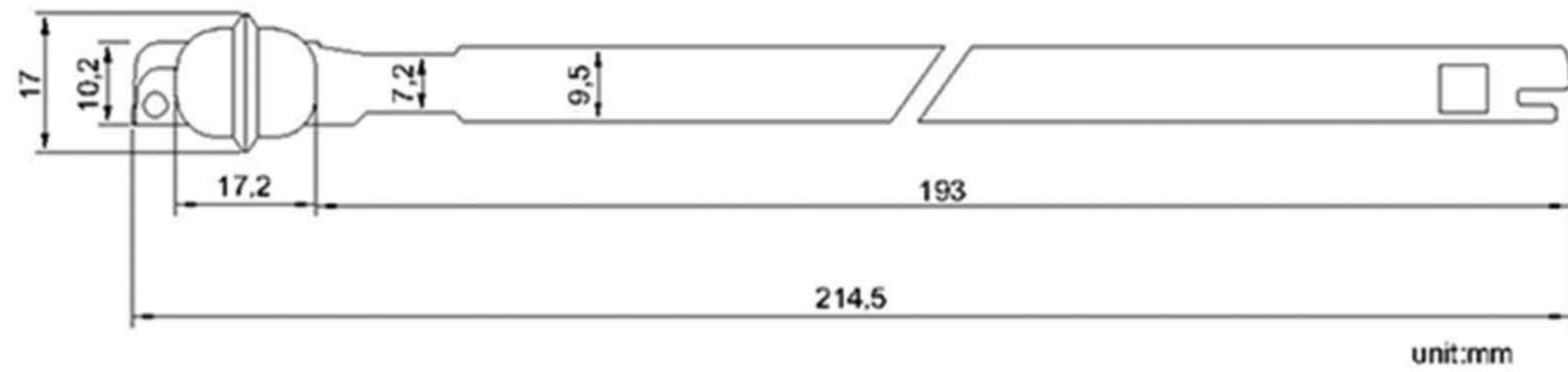
Number: BC-L106
 Material: PP
 Color: red, yellow, orange, blue, green and so on
 Laser printing : numbers, letters, mark, bar codes
 Application: catering, supermarket



Metal Seal



Number: BC-S103
Size: 214.5*9.5
Material: tinplate
Laser printing : numbers, letters, mark, bar codes
Application: container truck, boxcar, container, general merchandise



BC-S102



BC-S106



BC-S108



BC-S101



