

# Steel ball valves, reduced bore

104 series, welding / welding, EN (DIN), DN 100-500, reduced bore

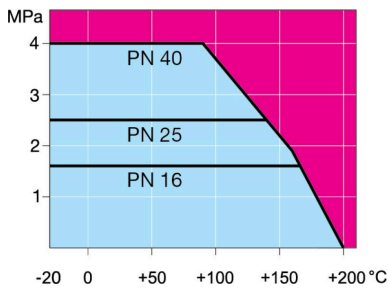
Body	DN 100-500 Steel, P235GH (1.0345)
Ball	DN 100-500 Stainless steel, X5CrNi18-10 (1.4301)
Ball seal	DN 100-500 PTFE+C
Stem	DN 100-500 Stainless steel, X8CrNiS18-9 (1.4305)
Stem seal	DN 100-500 FPM
Operation	DN 100-500 Valve is equipped with manual gear



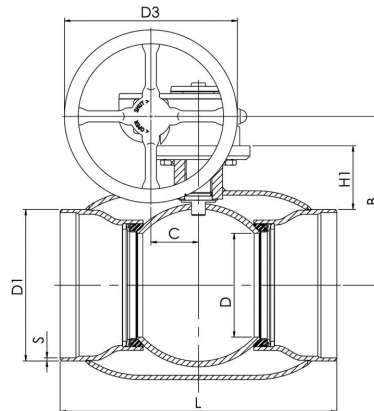
## Operation conditions

-20 °C – +200 °C  
 Below -20 °C contact manufacturer  
 Lowest allowed ambient temperature -40 °C

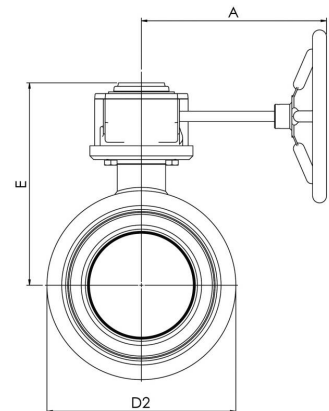
Leakage rate A (EN 12266-1)



DN 100-500



DN 100-500



DN	PN	Product no.	A	B	C	D	D1	D2	D3	E	H	L	S	kg
100	25	104100	186	196	53	80	114.3	139.7	125.0	239	105	325	3,6	18.0
125	25	104125	224	216	53	100	139.7	177.8	200.0	259	112	325	4	20.0
150	25	104150	224	236	53	125	168.3	219.1	200.0	279	118	350	4,5	25.0
200	25	104200	268	244	69	150	219.1	273.0	250.0	293	92	400	4.5	49.0
250	25	104250	301	294	97	200	273.0	355.6	300.0	345	108	530	5	94.0
300	25	104300	363	343	117	250	323.9	457.0	500.0	412	132	550	5.6	152.0
350	25	104350	363	418	117	290	355.6	508.0	500.0	487	192	686	6,3	212.0
400	25	104400	444	500	138	340	406.4	610.0	500.0	573	242	762	7	293.0
500	25	104500	475	577	180	390	508.0	660.0	500.0	648	259	914	7	467.0