

# R760XS-4509y\*2-16G\*2-2T\*1



## Technical Specification

### Appearance and Dimensions

Appearance	2U rack
Dimensions	Height – 86.8 mm (3.41 inches) Width – 482 mm (18.97 inches) Depth – 707.78 mm (27.85 inches) – without bezel 721.62 mm (28.4 inches) – with bezel

### System

Main Processor	2*Intel® Xeon® Silver 4509Y 2.6GHz,8C/16T,16GT/s,22.5MB L3 Cache,Turbo,HT(125W),DDR5-4400MT/s
Operating System	/
RAM	2*16GB RDIMM, 5600MT/s, Single Rank
Power Redundancy	1+1
RAID Controller	PERC H355 Controller

### Port

Network	6*1GbE BASE-T
VGA	2 Note: Only 1 port can be used at a time.
USB	2*USB2.0 1*USB3.0

### Hard Drive

Quantity of Hard Drive	1*2TB 7.2K PRM SATA 6Gbps 512n 3.5in Hot-plug Hard Drive
------------------------	--

### General

Power Supply	800W Mixed Mode, 100–240VAC
Power Consumption	126W- 443W
Operating Temperature	5–40°C (41–104°F) with no direct sunlight on the equipment
Operating Humidity	8% RH with-12°C (10.4°F) minimum dew point to 85% RH with 24°C (75.2°F) maximum dew point
Storage Temperature	-40 to 65°C (-104 to 149°F)

Storage Humidity	5% to 95% RH with 27°C (80.6°F) maximum dew point
Operating Altitude	3,048 meters (10,000 feet)
Weight	Max 28.82 kg

## Dimensions (mm [inch])

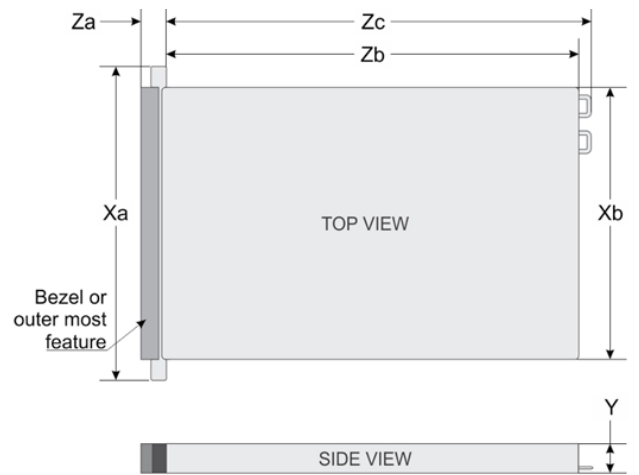


Figure 41. Chassis dimensions

Table 34. PowerEdge R760xs chassis dimensions

Xa	Xb	Y	Za	Zb	Zc
482.0 [18.97]	434.0 [17.09]	86.8 [3.42]	22 [0.87] without bezel 35.84 [1.41] with bezel	Ear to L bracket housing 650.24 [25.60] Ear to PSU surface	Ear to PSU handle without velcro strap

NOTE: Zb is the nominal rear wall external surface where the system board I/O connectors reside.